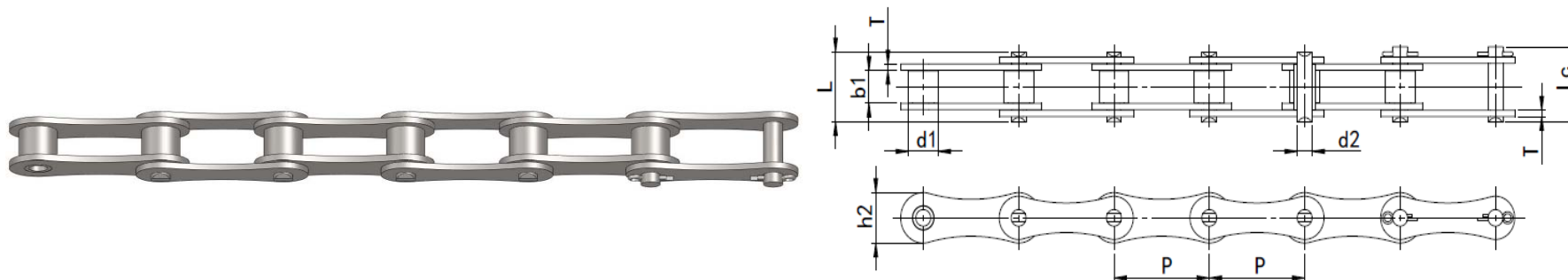


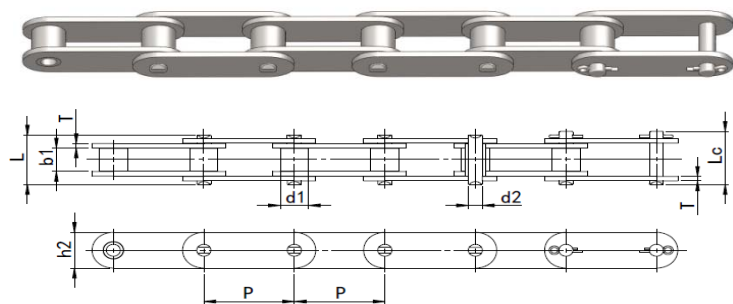
Double pitch roller chain



ZMIE Chain No.		Pitch	Roller diameter	Width between inner plates	Pin diameter	Pin length		Inner plate depth	Plate thickness	Ultimate tensile strength	Weight per meter
		P	d1 max	b1 min	d2 max	L max	Lc max	h2 max	t/T max	Q min	q
		mm	mm	mm	mm	mm	mm	mm	mm	KN	kg/m
208A-SS	2040SS	25.4	8.0	7.9	4.0	16.6	17.8	12.0	1.5	8.5	0.4
208B-SS		25.4	8.5	7.8	4.5	16.7	18.2	11.8	1.6	10.8	0.5
210A-SS	2050SS	31.8	10.2	9.4	5.1	20.7	22.2	15.0	2.0	13.3	0.7
210B-SS		31.8	10.2	9.7	5.1	19.5	20.9	14.7	1.7	13.4	0.7
212A-SS	2060SS	38.1	11.9	12.6	5.9	25.9	27.7	18.0	2.4	19.1	1.0
212B-SS		38.1	12.1	11.7	5.7	22.5	25.2	16.0	1.9	17.4	0.8
216A-SS	2080SS	50.8	15.9	15.8	7.9	32.7	36.5	24.0	3.3	34.0	1.7
216AH-SS		50.8	15.9	15.8	7.9	36.2	39.4	24.0	4.0	34.0	2.2

ZMIE Chain No.	Pitch	Roller diameter	Width between inner plates	Pin diameter	Pin length		Inner plate depth	Plate thickness	Ultimate tensile strength	Weight per meter	
	P	d1 max	b1 min	d2 max	L max	Lc max	h2 max	t/T max	Q min	q	
	mm	mm	mm	mm	mm	mm	mm	mm	KN	kg/m	
216B-SS	50.8	15.9	17.0	8.3	36.1	39.1	21.0	4.15/3.1	36.0	1.8	
220A-SS	2100SS	63.5	19.1	18.9	9.5	40.4	44.7	30.0	4.0	53.1	2.6
220B-SS		63.5	19.1	19.6	10.2	41.3	45	26.4	4.5/3.5	57.0	2.6
224A-SS	2120SS	76.2	22.2	25.2	11.1	50.3	54.3	35.7	4.8	76.2	4.1
224B-SS		76.2	25.4	25.4	14.6	53.4	57.8	33.2	6.0/4.8	96.0	4.7
228B-SS		88.9	27.9	31.0	15.9	65.1	69.5	36.7	7.5/6.0	120.0	6.2
232B-SS		101.6	29.2	31.0	17.8	66.0	71	42.0	7.0/6.0	150.0	6.7

Small roller type



Large roller type

