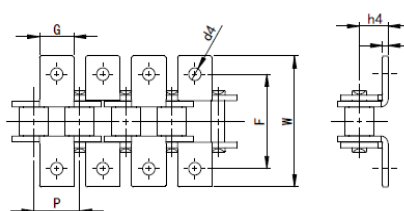
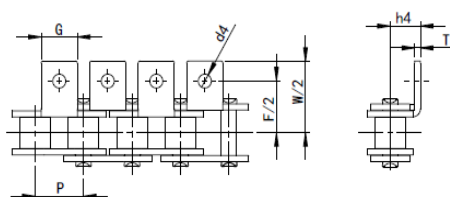


# Stainless steel chain attachments

## Short pitch stainless steel chain attachments

A1

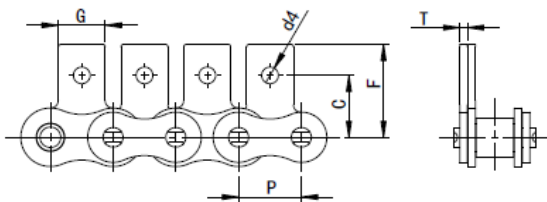
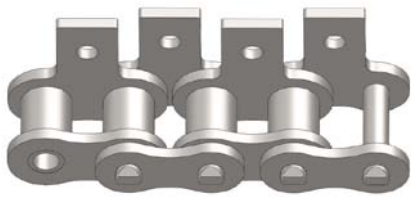
K1



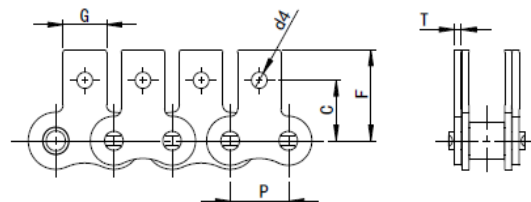
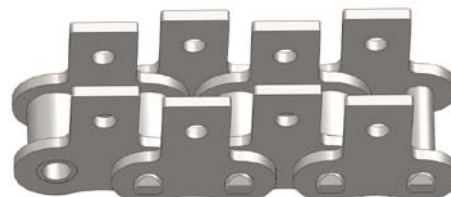
ZMIE Chain No.		P	G	F	W	T	h4	d4
		mm	mm	mm	mm	mm	mm	mm
08ASS	40SS	12.7	9.5	25.4	35.2	1.5	7.9	3.4
10ASS	50SS	15.875	12.7	31.75	46.2	2.03	10.3	5.5
12ASS	60SS	19.05	15.9	38.1	55.6	2.42	11.9	5.5
16ASS	80SS	25.4	19.1	50.8	64.8	3.25	15.9	6.8
20ASS	100SS	31.75	25.4	63.5	87.3	4	19.8	9.2
24ASS	120SS	38.1	28.6	76.2	108.5	4.8	23	9.8
28ASS	140SS	44.45	34.9	88.9	123	5.6	28.6	11.4
32ASS	160SS	50.8	38.1	101.6	142.8	6.4	31.8	13.1
06BSS		9.525	8	19.04	27	1.3	6.5	3.5
08BSS		12.7	9.5	25.4	36.4	1.6	8.9	4.5
10BSS		15.875	14.3	31.75	44.6	1.7	10.31	5.3
12BSS		19.05	16	38.1	52.4	1.85	13.46	6.4
16BSS		25.4	19.1	50.8	72.6	3.1	15.88	6.4

## Short pitch stainless steel chain attachments

### SA1



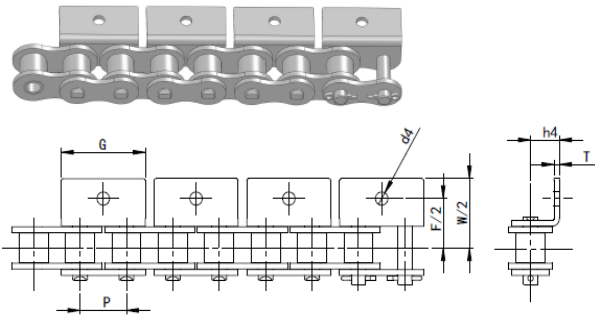
### SK1



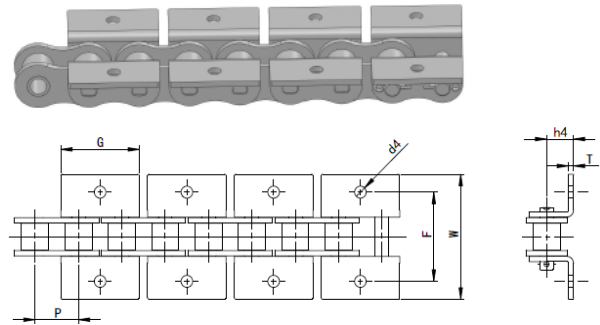
ZMIE Chain No.		P	G	C	F	T	d4
		mm	mm	mm	mm	mm	mm
08ASS	40SS	12.7	9.5	12.7	19.05	1.5	3.4
10ASS	50SS	15.875	12.7	15.9	25.25	2.03	5.5
12ASS	60SS	19.05	15.9	18.3	29.33	2.42	5.5
16ASS	80SS	25.4	19.1	24.6	34.7	3.25	6.8
20ASS	100SS	31.75	25.4	31.8	43.3	4	9.2
24ASS	120SS	38.1	28.6	36.5	51.6	4.8	9.8
28ASS	140SS	44.45	34.9	44.5	62	5.6	11.4
32ASS	160SS	50.8	38.1	50.8	69.85	6.4	13.1
06BSS		9.525	8	9.52	13.5	1.3	3.5
08BSS		12.7	9.5	13.35	18.9	1.6	4.3
10BSS		15.875	14.3	16.5	22.95	1.7	5.3
12BSS		19.05	16	21.45	28.6	1.85	6.4
16BSS		25.4	19.1	23.15	34	3.1	6.4

## Short pitch stainless steel chain attachments

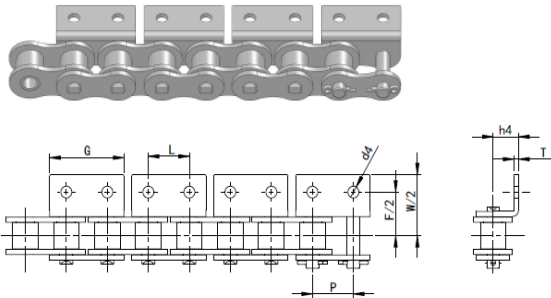
WA1



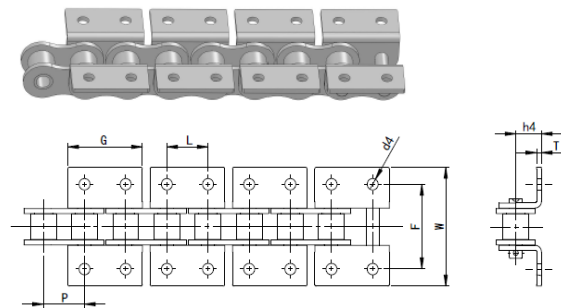
WK1



WA2



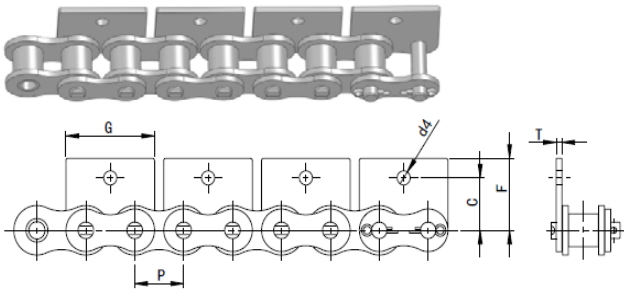
WK2



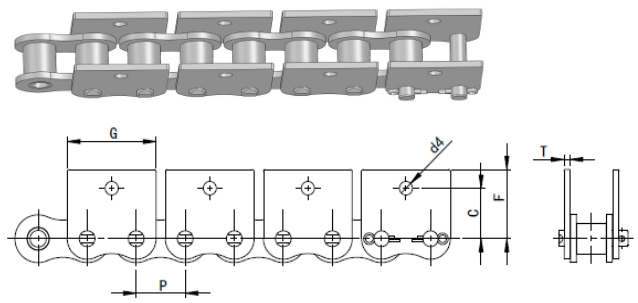
ZMIE Chain No.		P	G	L	F	W	T	h4	d4
		mm	mm	mm	mm	mm	mm	mm	mm
08ASS	40SS	12.7	23	12.7	25.4	35.6	1.5	7.9	3.4
10ASS	50SS	15.875	28.8	15.875	31.75	46.8	2.03	10.3	5.5
12ASS	60SS	19.05	34.65	19.05	38.1	56.4	2.42	11.9	5.5
16ASS	80SS	25.4	45.9	25.4	50.8	73.2	3.25	15.9	6.8
20ASS	100SS	31.75	57.65	31.75	63.5	89.8	4	19.8	9.2
08BSS		12.7	24	12.7	25.4	36.4	1.6	8.9	4.3
10BSS		15.875	29.58	15.875	31.75	44.6	1.7	10.31	5.3
12BSS		19.05	34.05	19.05	38.1	52.4	1.85	13.46	6.4
16BSS		25.4	46.4	25.4	50.8	72.6	3.1	15.88	6.4

## Short pitch stainless steel chain attachments

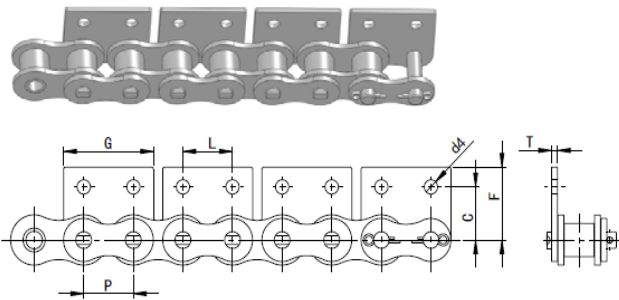
WSA1



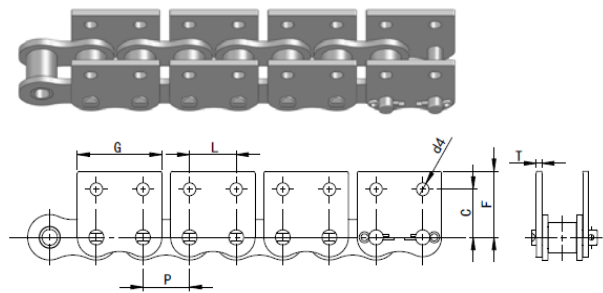
WSK1



WSA2

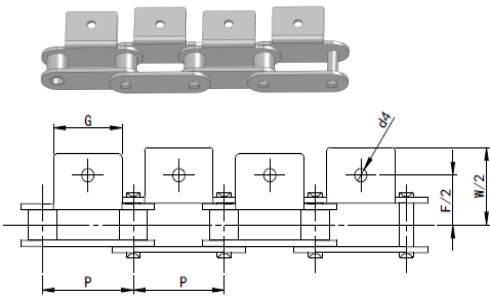
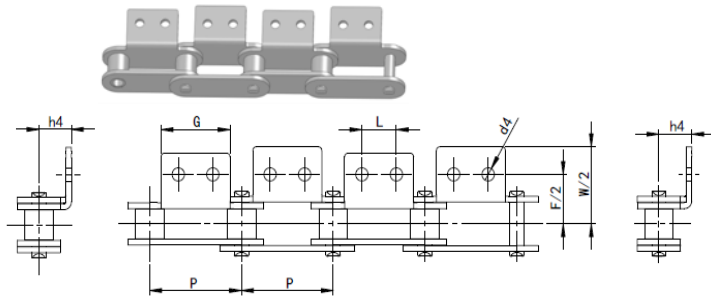
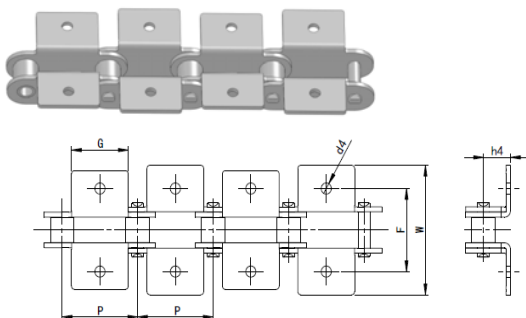
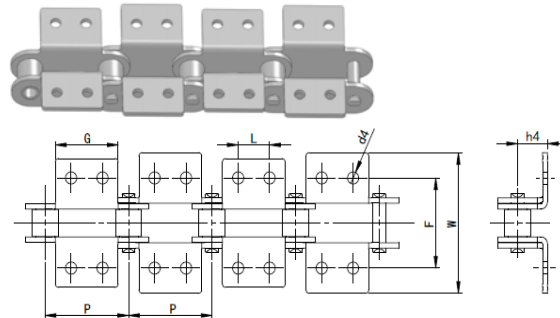


WSK2



ZMIE Chain No.		P	G	L	C	F	T	d4
		mm	mm	mm	mm	mm	mm	mm
08ASS	40SS	12.7	23	12.7	12.7	17.4	1.5	3.4
10ASS	50SS	15.875	28.8	15.875	15.9	23.05	2.03	5.5
12ASS	60SS	19.05	34.65	19.05	18.3	26.86	2.42	5.5
16ASS	80SS	25.4	45.9	25.4	24.6	35.45	3.25	6.8
20ASS	100SS	31.75	57.65	31.75	31.8	44	4	9.2
08BSS		12.7	23.3	12.7	13.35	18.9	1.6	4.5
10BSS		15.875	29.58	15.875	16.5	22.95	1.7	5.3
12BSS		19.05	34.05	19.05	21.45	28.6	1.85	6.4
16BSS		25.4	46.4	25.4	23.15	34	3.1	6.4

# Double pitch stainless steel chain attachments

**A1**

**A2**

**K1**

**K2**


ZMIE Chain No.	P	G	L	F	W	h4	d4
	mm	mm	mm	mm	mm	mm	mm
C208A-SS C2040SS	25.4	19.1	9.5	25.4	39.6	9.1	3.4
C208AL-SS C2042SS							
C208B-SS	25.4	23.2	12.7	25.4	39.6	9.1	4.5
C208BL-SS							
C210ASS 2050SS	31.75	23.8	11.9	31.8	49	11.1	5.5
C210ALSS C2052SS							
C212A-SS C2060SS	38.1	28.6	14.3	42.9	67.8	14.7	5.5
C212AL-SS C2062SS							
C212AH-SS C2060HSS	38.1	28.6	14.3	42.9	67.8	14.7	5.5
C212AHL-SS C2062HSS							
C216A-SS C2080SS	50.8	38.1	19.1	55.6	87.8	19.1	6.8
C216AL-SS C2082SS							
C216AH-SS C2080HSS	50.8	38.1	19.1	55.6	87.8	19.1	6.8
C216AHL-SS C2082HSS							

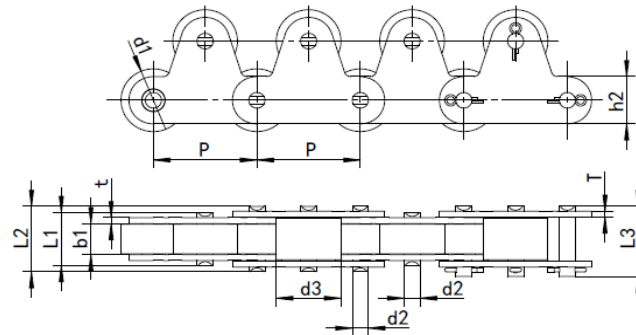


C208A-SS	C2040SS	25.4	19.1	9.5	11.1	13.5	20.5	3.4	5.5
C208AL-SS	C2042SS								



C208B-SS		25.4	23.2	12.7	11.1	13.5	20.5	4.5	5.5
C208BL-SS									
C210ASS	2050SS	31.75	23.8	11.9	14.3	15.9	25	5.5	6.6
C210ALSS	C2052SS								
C212A-SS	C2060SS	38.1	28.6	14.3	17.5	19.1	32.9	5.5	9.2
C212AL-SS	C2062SS								
C212AH-SS	C2060HSS	38.1	28.6	14.3	17.5	19.1	32.9	5.5	9.2
C212AHL-SS	C2062HSS								
C216A-SS	C2080SS	50.8	38.1	19.1	22.2	25.4	43.5	6.6	11
C216AL-SS	C2082SS								
C216AH-SS	C2080HSS	50.8	38.1	19.1	22.2	25.4	43.5	6.6	11
C216AHL-SS	C2082HSS								
C220A-SS	C2100SS	63.5	47.6	23.8	28.6	31.8	50.4	8.4	13
C220AL-SS	C2102SS								
C220AH-SS	C2100HSS	63.5	47.6	23.8	28.6	31.8	50.4	8.4	13
C220AHL-SS	C2102HSS								

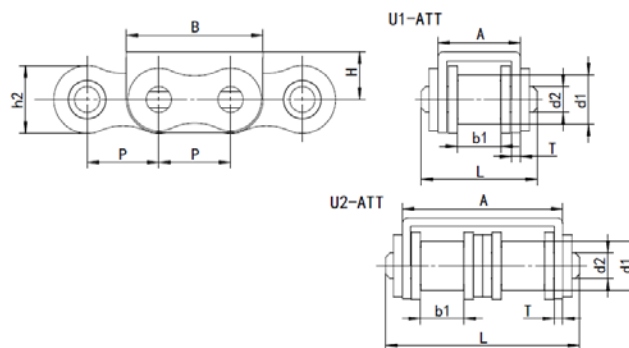
## Double pitch stainless steel conveyor chain with top roller



ZMIE Chain No.	Pitch	Width between inner plates	Roller diameter	Pin diameter	Pin length			Inner plate depth	Plate thickness	Top roller diameter
	P	b1 min	d1 max	d2 max	L1 max	L2 max	L3 max	h2 max	t/T max	d3 max
	mm	mm	mm	mm	mm	mm	mm	mm	mm	mm
2040-TRSS	25.4	7.85	7.95	3.96	13.5	16.6	17.8	12	1.5	15.88
2042-TRSS	25.4	7.85	15.88	3.96	13.5	16.6	17.8	12	1.5	15.88
2050-TRSS	31.75	9.4	10.16	5.08	16.5	20.7	22.2	15	2	19.05
2052-TRSS	31.75	9.4	19.05	5.08	16.5	20.7	22.2	15	2	19.05
2060-TRSS	38.1	12.57	11.91	5.94	21	25.9	27.7	18	2.4	22.23
2062-TRSS	38.1	12.57	22.23	5.94	21	25.9	27.7	18	2.4	22.23
2080-TRSS	50.8	15.75	15.88	7.92	26.2	32.7	35	24	3.2	28.58
2082-TRSS	50.8	15.75	28.58	7.92	26.2	32.7	35	24	3.2	28.58
2100-TRSS	63.5	18.9	19.05	9.53	32.3	40.4	44.7	30	4	39.67
2102-TRSS	63.5	18.9	39.67	9.53	32.3	40.4	44.7	30	4	39.67



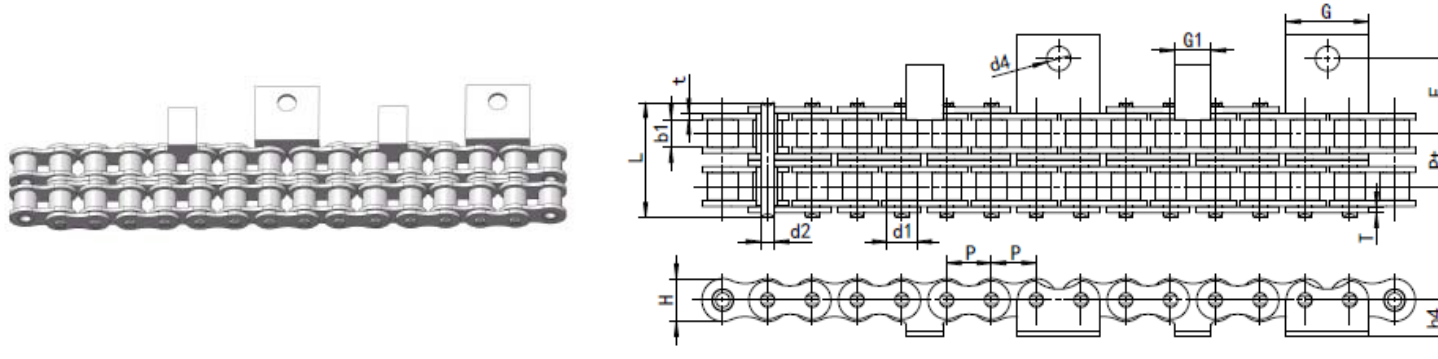
## stainless steel conveyor chain with rubber blocks



ZMIE Chain No.	Pitch	Width between inner plates	Roller diameter	Pin diameter	Pin length	Inner plate depth	Attachment dimension				Ultimate tensile strength
	P	b1 min	d1 max	d2 max	L max	h2 max	A	B	H	T max	Q min
	mm	mm	mm	mm	mm	mm	mm	mm	mm	mm	KN
08B-U1SS	12.7	7.75	8.51	4.45	20	11.8	14.6	24.2	8.3	1.6	12.6
08B-U2SS	12.7	7.75	8.51	4.45	34.3	11.8	28.4	24.2	8.3	1.5	22.4
10B-U1SS	15.875	9.65	10.16	5.08	23.2	14.7	16.8	30	11.3	1.6	13.3
10B-U2SS	15.875	9.65	10.16	5.08	39.7	14.7	33.3	30	11.3	1.5	31.15
12B-U1SS	19.05	11.68	12.07	5.72	25.7	16	19.6	36	13	1.85	20.3
12B-U2SS	19.05	11.68	12.07	5.72	45.3	16	39.1	36	12	1.85	40.46
16B-U1SS	25.4	17.02	15.88	8.28	39.7	21	29.05	49	15.4	2.4	40.6
16B-U2SS	25.4	17.02	15.88	8.28	71.7	21	60.9	49	16.2	2.4	74.2
20B-U1SS	31.75	19.56	19.05	10.19	48	26.4	36	57	21	3.5	59.5

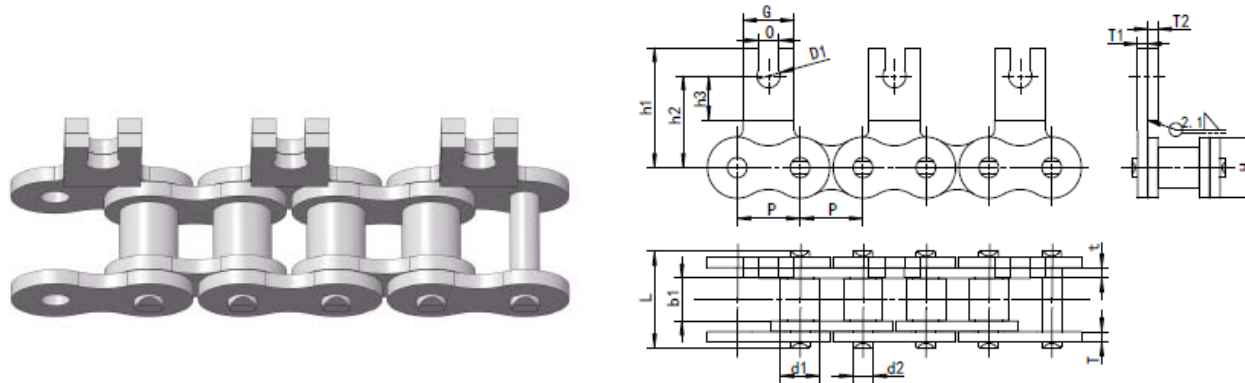
# Special food industry stainless steel chain

Stainless steel conveyor chain for Jelly Machine



ZMIE Chain No.		Roller diameter	Width between inner plates	Pin diameter	Pin length	Plate thickness	Attachment dimensions				
		d1 max	b1 min	d2 max	L max	T max	h1	h2	H	F	G
		mm	mm	mm	mm	mm	mm	mm	mm	mm	mm
10AHSS	15.875	10.16	9.53	5.08	24.5	15.09	12.5	8.5	21.5	31	13
10ASS-2	15.875	10.16	9.53	5.08	47	3	10.3	8.2	21.5	31	13

## Stainless steel conveyor chain for Popsicle Machine



ZMIE Chain No.	Pitch	Roller diameter	Width between inner plates	Pin diameter	Pin length	Inner plate depth	Plate thickness
	P	d1 max	b1 min	d2 max	L max	H max	T max
	mm	mm	mm	mm	mm		mm
60HSS	19.05	11.91	12.57	5.94	28.3	18	3

### Attachment dimensions

h1	h2	h3	D1	T1	T2	G	O
mm	mm	mm	mm	mm	mm	mm	mm
35.3	27	23	7	3	3	15.6	6