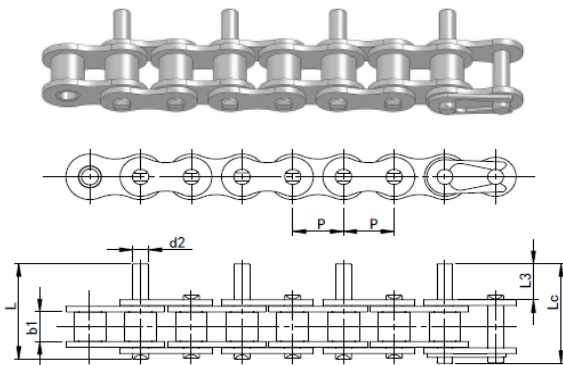
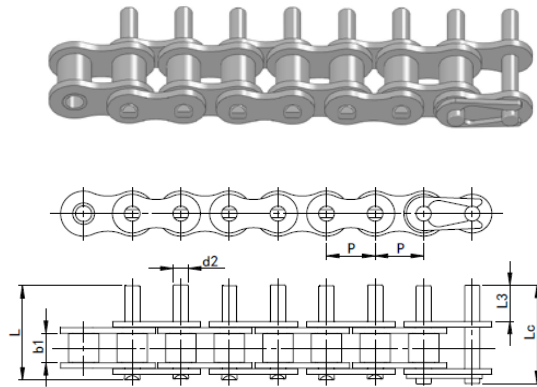


Extended Pin Roller Chain

D 1



D 3

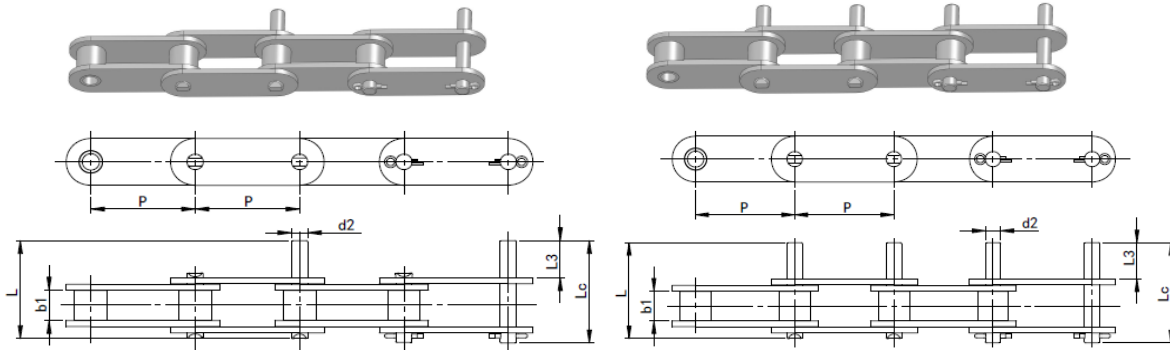


Z M I E Chain No.		P	b 1	d 2	L 3	L	L c
		mm	mm	mm	mm	mm	mm
06 C	35	9.5	4.8	3.6	9.5	20.8	21.6
08 A	40	12.7	7.9	4.0	9.5	25.1	26.2
10 A	50	15.9	9.4	5.1	11.9	31.3	33.1
12 A	60	19.1	12.6	5.9	14.3	38.6	40.6
16 A	80	25.4	15.8	7.9	19.1	50.3	53.3
20 A	100	31.8	18.9	9.5	23.8	61.8	66.1
24 A	120	38.1	25.2	11.1	28.6	76.4	80.4
28 A	140	44.5	25.2	12.7	33.3	84.8	89.4
32 A	160	50.8	31.6	14.3	38.1	99.6	104.4
08 B		12.7	7.8	4.5	9.5	25.1	26.6
10 B		15.9	9.7	5.1	11.9	30.1	31.5
12 B		19.1	11.7	5.7	14.3	35.4	37.1
16 B		25.4	17.0	8.3	19.1	53.0	54.3

Double pitch roller chain attachments

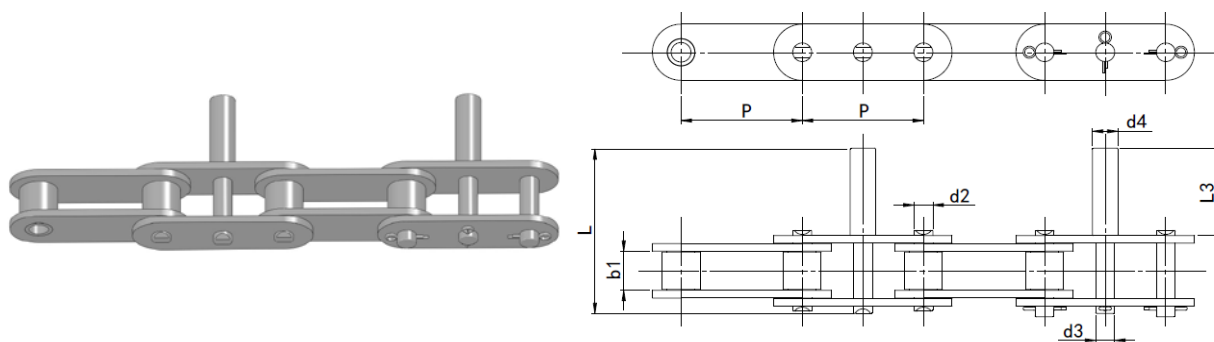
D 1 extended pin

D 3 extended pin



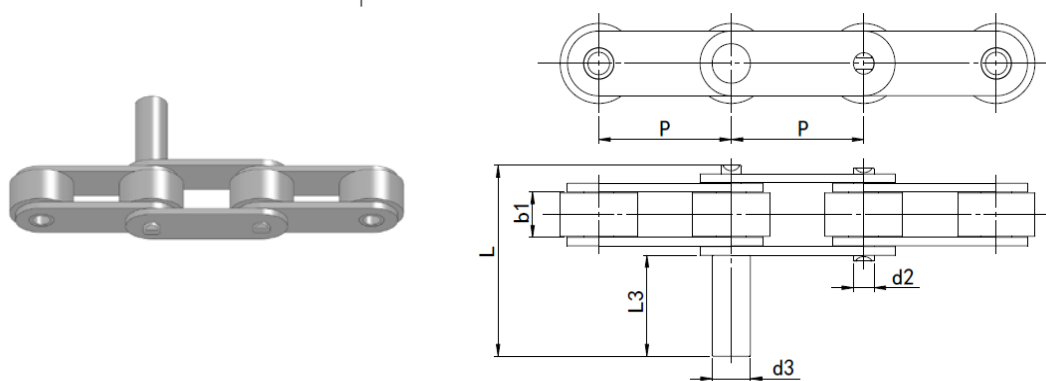
Z M I E Chain No.		P	b 1	d 2	L 3	L	L c
		m m	m m	m m	m m	m m	m m
C 208A	C 2040	25.4	7.9	4.0	9.5	25.1	26.2
C 208AL	C 2042						
C 210A	2050	31.8	9.4	5.1	11.9	31.3	33.1
C 210AL	C 2052						
C 212A	C 2060	38.1	12.6	5.9	14.3	38.6	40.6
C 212AL	C 2062						
C 212AH	C 2060H	38.1	12.6	5.9	14.3	42.0	43.8
C 212AHL	C 2062H						
C 216A	C 2080	50.8	15.8	7.9	19.1	50.3	53.3
C 216AL	C 2082						
C 216AH	C 2080H	50.8	15.8	7.9	19.1	53.5	55
C 216AHL	C 2082H						
C 220A	C 2100	63.5	18.9	9.5	23.8	61.8	66.1
C 220AL	C 2102						
C 220AH	C 2100H	63.5	18.9	9.5	23.8	65.0	68.3
C 220AHL	C 2102H						
C 224AH	C 2120H	76.2	25.2	11.1	28.6	79.6	83.6
C 224AHL	C 2122H						
C 232AH	C 2160H	101.6	31.8	14.3	38.1	103.0	107.8
C 232AHL	C 2162H						

D 5 extended pin



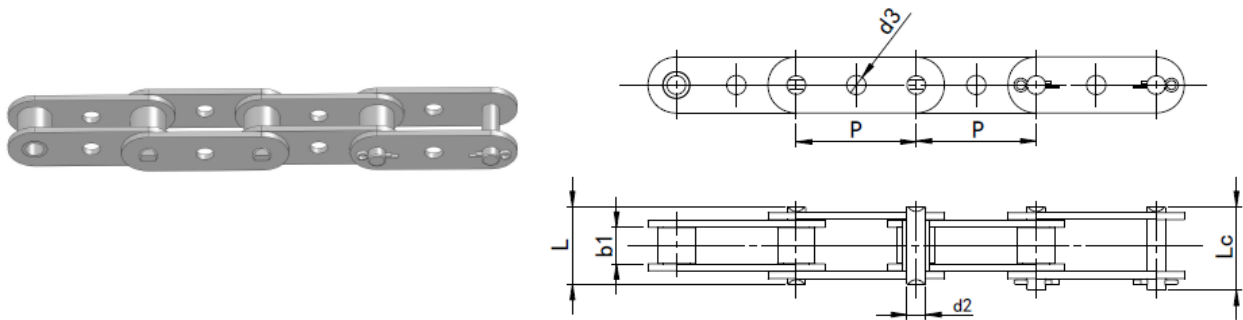
Z M I E C h a i n N o .		b 1	d 2	d 3	d 4	L 3	L
		m m	m m	m m	m m	m m	m m
C 212A H -D 5	38.1	12.6	5.9	5.9	8.0	25.0	53
C 212A H F 4	38.1	12.6	5.9	8.1	10.0	35.0	63
C 212A H F 7	38.1	12.6	5.9	5.9	12.7	41.2	69.2
C 212A H F 8	38.1	12.6	5.9	5.9	14.3	41.2	69.2

special extended pin



Z M I E C h a i n N o .		b 1	d 2	d 3	L 3	L
		m m	m m	m m	m m	m m
C 2052D F 1	31.8	9.4	5.1	7.5	14.2	33.6
C 2010F 4	31.8	9.4	5.1	11.0	34.0	53.7

G K 1 special extended pin chain



Z M I E Chain No.		P	b 1	d 2	d 3	L	L c
		m m	m m	m m	m m	m m	
C 208A	C 2040	25.4	7.9	4.0	4.1	16.6	18.8
C 208AL	C 2042						
C 210A	C 2050	31.8	9.4	5.1	5.1	20.7	23.3
C 210AL	C 2052						
C 212A	C 2060	38.1	12.6	5.9	6.1	25.9	28.3
C 212AL	C 2062						
C 212AH	C 2060H	38.1	12.6	5.9	6.1	29.2	31.6
C 212AHL	C 2062H						
C 216A	C 2080	50.8	15.8	7.9	8.1	32.7	36.5
C 216AL	C 2082						
C 216AH	C 2080H	50.8	15.8	7.9	8.1	36.2	39.4
C 216AHL	C 2082H						
C 220A	C 2100	63.5	18.9	9.5	10.1	40.4	44.7
C 220AL	C 2102						
C 220AH	C 2100H	63.5	18.9	9.5	10.1	43.6	46.9
C 220AHL	C 2102H						