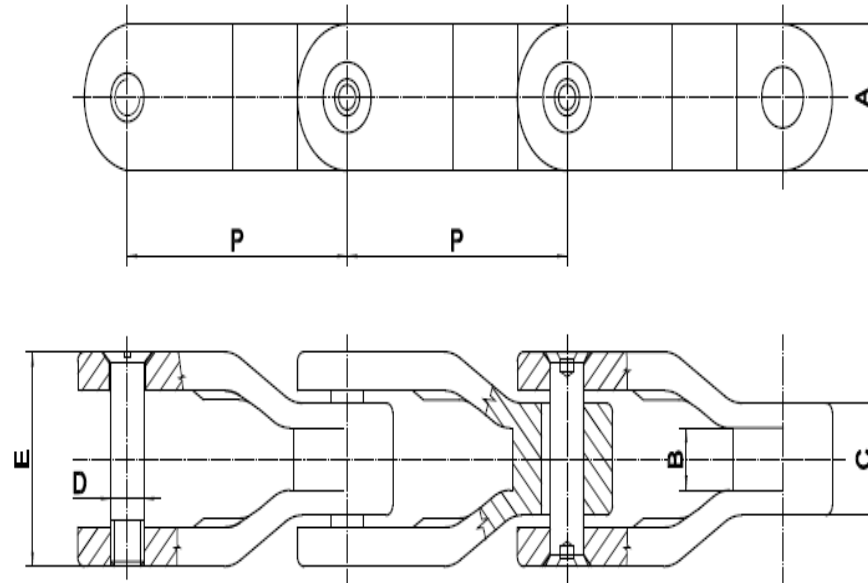
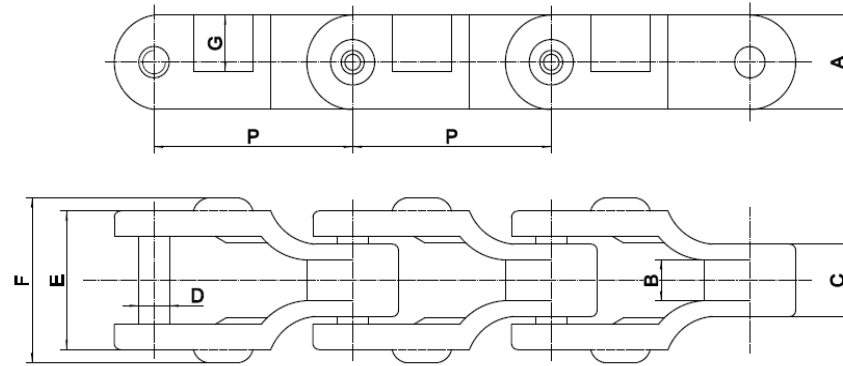


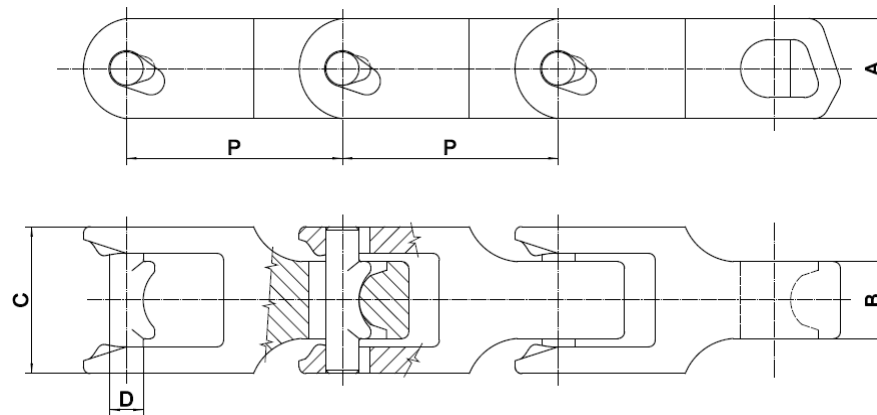
# Double Flex Chain



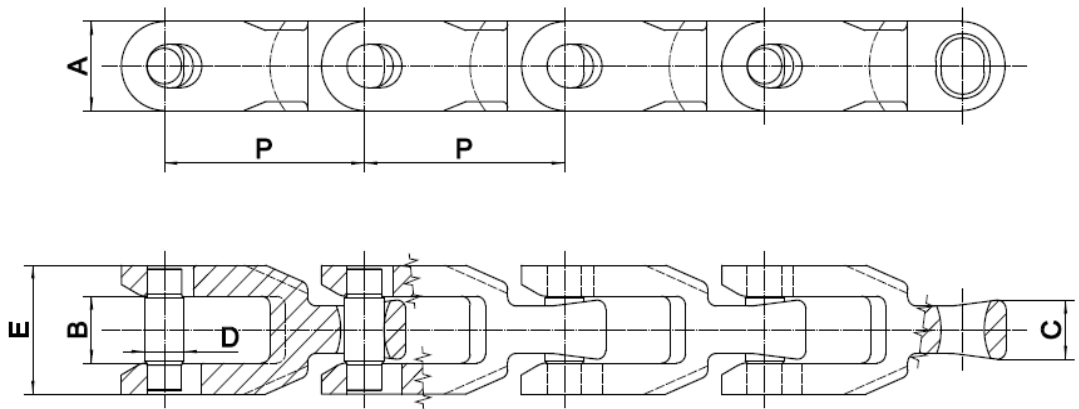
Chain Number	Pitch	Dimensions					Average U.T.S
	P	A	B	C	D	E	
CC600	2.50"	1.18"	0.51"	0.91"	0.44"	1.73"	14600 lbs
	63.5mm	30mm	13mm	23mm	11.1mm	44mm	65KN
CC625	2.58"	1.18"	0.51"	0.91"	0.44"	1.73"	14600 lbs
	65.5mm	30mm	13mm	23mm	11.1mm	44mm	65 KN



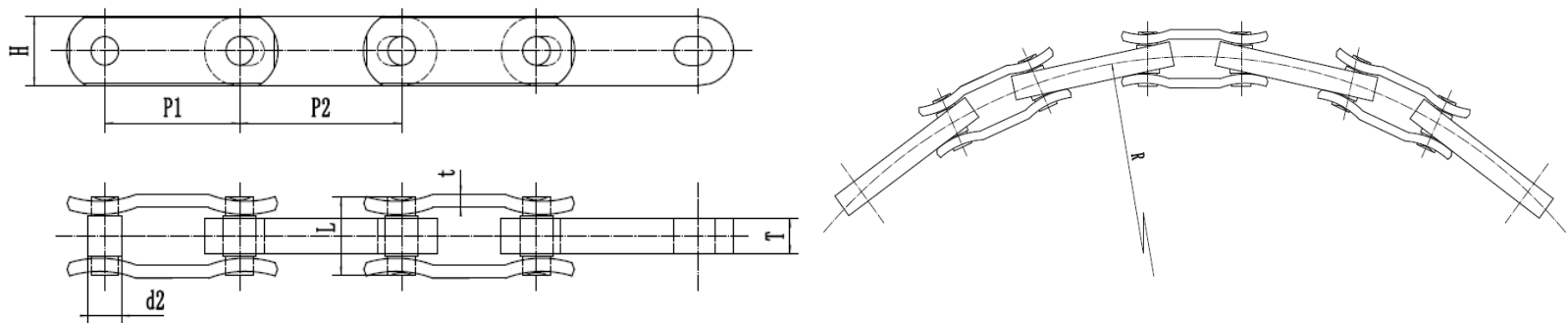
Chain Number	Pitch	Dimensions							Average
	P	A	B	C	D	E			
CC600D	2.50"	1.18"	0.51"	0.91"	0.44"	1.73"	2.13"	0.71"	14600 lbs
	63.5mm	30mm	13mm	23mm	11.1mm	44mm	54mm	18mm	65 KN



Chain Number	Pitch	Dimensions				Average U.T.S
	P	A	B	C	D	
Mc33	2.488"	1.26"	0.69"	1.50"	0.47"	11000 lbs
	63.2mm	32mm	17.5mm	38.1mm	12mm	49 KN



Chain Number	Pitch	Dimensions					Average U.T.S
	P	A	B	C	D		
F801	2.73" 69.35mm	1.18" 30mm	0.89" 22.5mm	0.83" 21mm	0.54" 13.6mm	1.71" 43.5mm	16800 lbs 75KN



Chain Number	Pitch		Dimensions						Average U.T.S
	P1	P2	H	T	t	d2	L	R	
DF3500	2.5" 63.5mm	3" 76.2mm	1.25" 31.75mm	0.625" 15.88mm	0.25" 6.35mm	0.57" 14.5mm	1.4" 35.5mm	<20" <508mm	47250 lbs 210KN