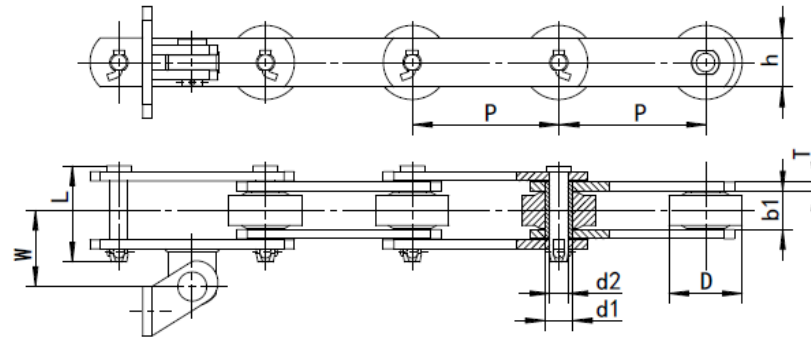
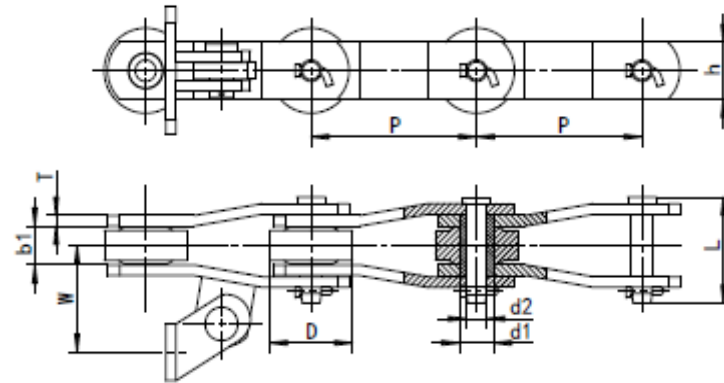


AS2 attachment steel conveyor chain



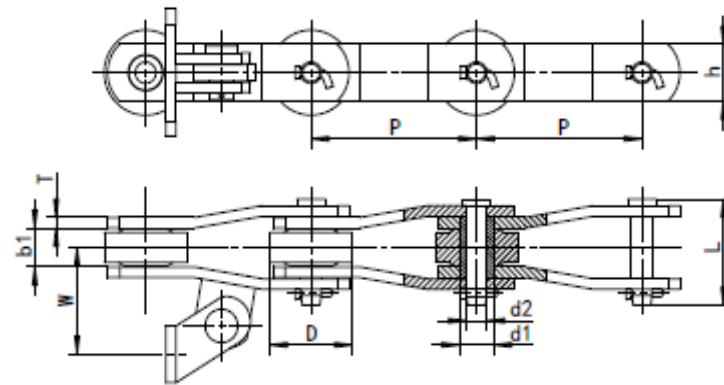
ZMIE Chain No.	Pitch	Inner depth	Plate thickness	Plate depth	Pin diameter	Pin length	Bush diameter	Roller diameter	Dimensions	Ultimate tensile strength
	P	b1	T	h	d2	L	d1	D	W	Q
	mm	mm	mm	mm	mm	mm	mm	mm	mm	KN
1131	152.4	39.6	9.5	50.8	19.05	99.0	28.6	76.20	66.00	209.0
09060	152.4	38.1	9.6	50.8	19.05	97.0	28.7	69.85	88.90	270.0
09061	152.4	38.1	9.6	57.1	19.05	97.0	28.7	69.85	88.90	380.0
09063	152.4	38.1	10.4	60.4	23.88	102.1	31.7	76.20	100.00	630.0
1796	152.4	38.1	9.6	57.1	22.10	99.0	31.7	69.85	88.90	450.0
2198	152.4	38.8	12.7	60.4	22.10	112.0	31.7	76.20	99.30	450.0

AS2 attachment steel conveyor chain



ZMIE Chain No.	Pitch	Inner depth	Plate thickness	Plate depth	Pin diameter	Pin length	Bush diameter	Roller diameter	Dimensions	Ultimate tensile strength
	P	b1	T	h	d2	L	d1	D	W	Q
	mm	mm	mm	mm	mm	mm	mm	mm	mm	KN
2184	152.4	34.9	9.5	50.8	22.23	95.2	31.7	76.20	91.90	356.0
09060	152.4	38.1	9.6	50.8	19.05	97.0	28.7	69.85	88.90	270.0
09061	152.4	38.1	9.6	57.1	19.05	97.0	28.7	69.85	88.90	380.0
09063	152.4	38.1	10.4	60.4	23.88	102.1	31.7	76.20	100.00	630.0
1796	152.4	38.1	9.6	57.1	22.10	99.0	31.7	69.85	88.90	450.0
2198	152.4	38.8	12.7	60.4	22.10	112.0	31.7	76.20	99.30	450.0

AS2 attachment steel conveyor chain



ZMIE Chain No.	Pitch	Inner depth	Plate thickness	Plate depth	Pin diameter	Pin length	Bush diameter	Roller diameter	Dimensions	Ultimate tensile strength
	P	b1	T	h	d2	L	d1	D	W	Q
	mm	mm	mm	mm	mm	mm	mm	mm	mm	KN
9184	152.4	38.1	12.7	63.5	23.88	12.8	31.7	76.20	98.40	787.0
9185	152.4	38.1	12.7	63.5	23.88	12.8	31.7	88.90	98.40	787.0
F9184	152.4	39.6	12.7	63.5	23.88	12.8	31.7	76.20	98.40	787.0
8184	203.2	45.9	12.7	69.8	25.40	96.7	38.1	88.90	81.80	750.0
B5509	228.6	37.8	9.6	57.1	22.23	76.4	31.7	76.20	79.20	450.0