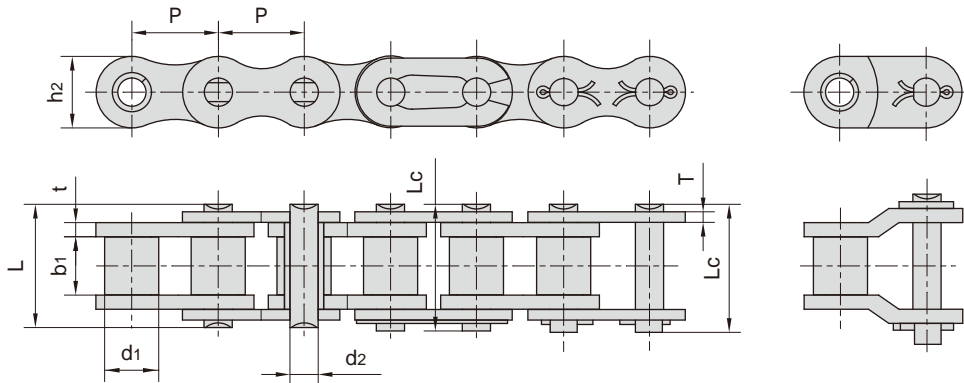


B系列短节距精密滚子链 Short pitch precision roller chains (B series)

单排滚子链
Simplex roller chains

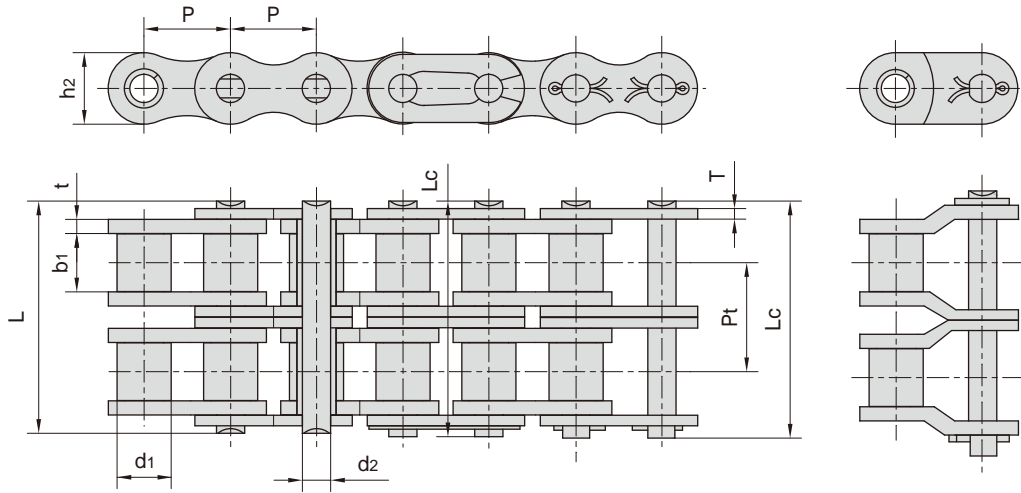


| ISO/DIN 链号 | 节距 Pitch | 滚子直径 Roller diameter | 内节内宽 Width between inner plates | 销轴直径 Pin diameter | 销轴长度 Pin length | | 内链板高度 Inner plate depth | 链板厚度 Plate thickness | 抗拉强度 Tensile strength | 平均抗拉强度 Average tensile strength | 每米长重 Weight per meter |
|-------------------------|-------------|----------------------------|--|-------------------------|-----------------------|-----------|----------------------------------|----------------------------|-----------------------------|--|--------------------------------|
| ISO/DIN Chain No. | P | d1 max | b1 min | d2 max | L max | Lc max | h2 max | t/T max | Q min | Q0 | q |
| | mm | mm | mm | mm | mm | mm | mm | mm | kN/lbf | kN | kg/m |
| 04 | 6.000 | 4.00 | 2.80 | 1.85 | 6.80 | 7.8 | 5.00 | 0.60 | 3.0/682 | 3.2 | 0.11 |
| 05B-1 | 8.000 | 5.00 | 3.00 | 2.31 | 8.20 | 8.9 | 7.10 | 0.80 | 5.0/1136 | 5.9 | 0.20 |
| *06B-1 | 9.525 | 6.35 | 5.72 | 3.28 | 13.15 | 14.1 | 8.20 | 1.30 | 9.0/2045 | 10.4 | 0.41 |
| 08B-1 | 12.700 | 8.51 | 7.75 | 4.45 | 16.70 | 18.2 | 11.80 | 1.60 | 18.0/4091 | 19.4 | 0.69 |
| 10B-1 | 15.875 | 10.16 | 9.65 | 5.08 | 19.50 | 20.9 | 14.70 | 1.70 | 22.4/5091 | 27.5 | 0.93 |
| 12B-1 | 19.050 | 12.07 | 11.68 | 5.72 | 22.50 | 24.2 | 16.00 | 1.85 | 29.0/6591 | 32.2 | 1.15 |
| 16B-1 | 25.400 | 15.88 | 17.02 | 8.28 | 36.10 | 37.4 | 21.00 | 4.15/3.1 | 60.0/13636 | 77.1 | 2.71 |
| 20B-1 | 31.750 | 19.05 | 19.56 | 10.19 | 41.30 | 45.0 | 26.40 | 4.50/3.5 | 95.0/21591 | 112.8 | 3.70 |
| 24B-1 | 38.100 | 25.40 | 25.40 | 14.63 | 53.40 | 57.8 | 33.20 | 6.00/4.8 | 160.0/36364 | 178.0 | 7.10 |
| 28B-1 | 44.450 | 27.94 | 30.99 | 15.90 | 65.10 | 69.5 | 36.70 | 7.50/6.0 | 200.0/45455 | 236.4 | 8.50 |
| 32B-1 | 50.800 | 29.21 | 30.99 | 17.81 | 66.00 | 71.0 | 42.00 | 7.00/6.0 | 250.0/56818 | 277.5 | 10.25 |
| 40B-1 | 63.500 | 39.37 | 38.10 | 22.89 | 82.20 | 89.2 | 52.96 | 8.50/8.0 | 355.0/80682 | 394.0 | 16.35 |
| 48B-1 | 76.200 | 48.26 | 45.72 | 29.24 | 99.10 | 107.0 | 63.80 | 12.00/10.0 | 560.0/127272 | 621.6 | 25.00 |
| 56B-1 | 88.900 | 53.98 | 53.34 | 34.32 | 114.6 | 123.0 | 77.80 | 13.50/12.0 | 850.0/193180 | 940.0 | 35.78 |
| 64B-1 | 101.600 | 63.50 | 60.96 | 39.40 | 130.0 | 138.5 | 90.17 | 15.00/13.0 | 112.0/254544 | 1240.0 | 46.00 |
| 72B-1 | 114.300 | 72.39 | 68.58 | 44.48 | 147.4 | 156.4 | 103.60 | 17.00/15.0 | 1400.0/318180 | 1550.0 | 60.80 |

*直链板
*Straight side plates

B系列短节距精密滚子链 Short pitch precision roller chains (B series)

双排滚子链
Duplex roller chains

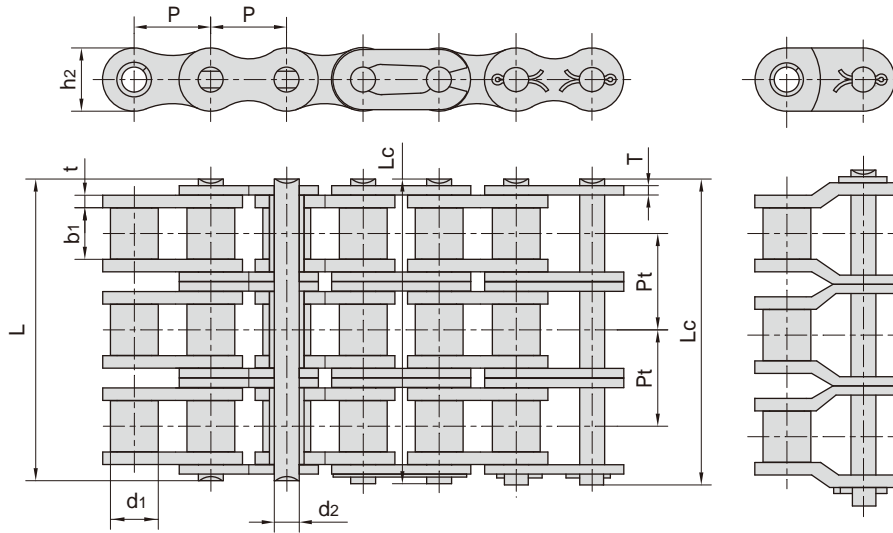


| ISO/DIN 链号 ISO/DIN Chain No. | 节距 Pitch | 滚子直径 Roller diameter | 内节内宽 Width between inner plates | 销轴直径 Pin diameter | 销轴长度 Pin length | | 内链板高度 Inner plate depth | 链板厚度 Plate thickness | 排距 Transverse pitch | 抗拉强度 Tensile strength | 平均抗拉强度 Average tensile strength | 每米长重 Weight per meter |
|--|-------------|----------------------------|--|-------------------------|-----------------------|-----------|----------------------------------|----------------------------|---------------------------|-----------------------------|--|--------------------------------|
| | p | d1 max | b1 min | d2 max | L max | Lc max | h2 max | t/T max | Pt | Q min | Q0 | q |
| | mm | mm | mm | mm | mm | mm | mm | mm | mm | kN/lbf | kN | kg/m |
| 05B-2 | 8.000 | 5.00 | 3.00 | 2.31 | 13.9 | 14.5 | 7.10 | 0.80 | 5.64 | 7.8/1773 | 10.2 | 0.33 |
| *06B-2 | 9.525 | 6.35 | 5.72 | 3.28 | 23.4 | 24.4 | 8.20 | 1.30 | 10.24 | 16.9/3841 | 18.7 | 0.77 |
| 08B-2 | 12.700 | 8.51 | 7.75 | 4.45 | 31.0 | 32.2 | 11.80 | 1.60 | 13.92 | 32.0/7273 | 38.7 | 1.34 |
| 10B-2 | 15.875 | 10.16 | 9.65 | 5.08 | 36.1 | 37.5 | 14.70 | 1.70 | 16.59 | 44.5/10114 | 56.2 | 1.84 |
| 12B-2 | 19.050 | 12.07 | 11.68 | 5.72 | 42.0 | 43.6 | 16.00 | 1.85 | 19.46 | 57.8/13136 | 66.1 | 2.31 |
| 16B-2 | 25.400 | 15.88 | 17.02 | 8.28 | 68.0 | 69.3 | 21.00 | 4.15/3.1 | 31.88 | 106.0/24091 | 152.1 | 5.42 |
| 20B-2 | 31.750 | 19.05 | 19.56 | 10.19 | 77.8 | 81.5 | 26.40 | 4.50/3.5 | 36.45 | 170.0/38636 | 229.0 | 7.20 |
| 24B-2 | 38.100 | 25.40 | 25.40 | 14.63 | 101.7 | 106.2 | 33.20 | 6.00/4.8 | 48.36 | 280.0/63636 | 319.2 | 13.40 |
| 28B-2 | 44.450 | 27.94 | 30.99 | 15.90 | 124.6 | 129.1 | 36.70 | 7.50/6.0 | 59.56 | 360.0/81818 | 406.8 | 16.60 |
| 32B-2 | 50.800 | 29.21 | 30.99 | 17.81 | 124.6 | 129.6 | 42.00 | 7.00/6.0 | 58.55 | 450.0/102273 | 508.5 | 21.00 |
| 40B-2 | 63.500 | 39.37 | 38.10 | 22.89 | 154.5 | 161.5 | 52.96 | 8.50/8.0 | 72.29 | 630.0/143182 | 711.9 | 32.00 |
| 48B-2 | 76.200 | 48.26 | 45.72 | 29.24 | 190.4 | 198.2 | 63.80 | 12.00/10.0 | 91.21 | 1000.0/227272 | 1130.0 | 50.00 |
| 56B-2 | 88.900 | 53.98 | 53.34 | 34.32 | 221.2 | 229.6 | 77.80 | 13.50/12.0 | 106.60 | 1600.0/363635 | 1760.0 | 71.48 |
| 64B-2 | 101.600 | 63.50 | 60.96 | 39.40 | 249.9 | 258.4 | 90.17 | 15.00/13.0 | 119.89 | 2000.0/454544 | 2200.0 | 91.00 |
| 72B-2 | 114.300 | 72.39 | 68.58 | 44.48 | 283.7 | 292.7 | 103.60 | 17.00/15.0 | 136.27 | 2500.0/568180 | 2750.0 | 120.40 |

*直链板
*Straight side plates

B系列短节距精密滚子链 Short pitch precision roller chains (B series)

三排滚子链
Triplex roller chains



| ISO/DIN 链号 ISO/DIN Chain No. | 节距 Pitch | 滚子直径 Roller diameter | 内节内宽 Width between inner plates | 销轴直径 Pin diameter | 销轴长度 Pin length | | 内链板高度 Inner plate depth | 链板厚度 Plate thickness | 排距 Transverse pitch | 抗拉强度 Tensile strength | 平均抗拉强度 Average tensile strength | 每米长重 Weight per meter |
|--|-------------|----------------------------|--|-------------------------|-----------------------|-----------|----------------------------------|----------------------------|---------------------------|-----------------------------|--|--------------------------------|
| | P | d1 max | b1 min | d2 max | L max | Lc max | h2 max | t/T max | Pt | Q min | Q0 | q |
| | mm | mm | mm | mm | mm | mm | mm | mm | mm | kN/lbf | kN | kg/m |
| 05B-3 | 8.000 | 5.00 | 3.00 | 2.31 | 19.5 | 20.2 | 7.10 | 0.80 | 5.64 | 11.1/2523 | 13.8 | 0.48 |
| *06B-3 | 9.525 | 6.35 | 5.72 | 3.28 | 33.5 | 34.6 | 8.20 | 1.30 | 10.24 | 24.9/5659 | 30.1 | 1.16 |
| 08B-3 | 12.700 | 8.51 | 7.75 | 4.45 | 45.1 | 46.1 | 11.80 | 1.60 | 13.92 | 47.5/10795 | 57.8 | 2.03 |
| 10B-3 | 15.875 | 10.16 | 9.65 | 5.08 | 52.7 | 54.1 | 14.70 | 1.70 | 16.59 | 66.7/15159 | 84.5 | 2.77 |
| 12B-3 | 19.050 | 12.07 | 11.68 | 5.72 | 61.5 | 63.1 | 16.00 | 1.85 | 19.46 | 86.7/19705 | 101.8 | 3.46 |
| 16B-3 | 25.400 | 15.88 | 17.02 | 8.28 | 99.8 | 101.2 | 21.00 | 4.15/3.1 | 31.88 | 160.0/36364 | 227.1 | 8.13 |
| 20B-3 | 31.750 | 19.05 | 19.56 | 10.19 | 114.2 | 117.9 | 26.40 | 4.50/3.5 | 36.45 | 250.0/56818 | 334.3 | 10.82 |
| 24B-3 | 38.100 | 25.40 | 25.40 | 14.63 | 150.1 | 154.6 | 33.20 | 6.00/4.8 | 48.36 | 425.0/96591 | 493.0 | 20.10 |
| 28B-3 | 44.450 | 27.94 | 30.99 | 15.90 | 184.2 | 188.7 | 36.70 | 7.50/6.0 | 59.56 | 530.0/120454 | 609.5 | 24.92 |
| 32B-3 | 50.800 | 29.21 | 30.99 | 17.81 | 183.2 | 188.2 | 42.00 | 7.00/6.0 | 58.55 | 670.0/152273 | 770.5 | 31.56 |
| 40B-3 | 63.500 | 39.37 | 38.10 | 22.89 | 226.8 | 233.8 | 52.96 | 8.50/8.0 | 72.29 | 950.0/215909 | 1092.5 | 48.10 |
| 48B-3 | 76.200 | 48.26 | 45.72 | 29.24 | 281.6 | 289.4 | 63.80 | 12.00/10.0 | 91.21 | 1500.0/340909 | 1710.0 | 75.00 |
| 56B-3 | 88.900 | 53.98 | 53.34 | 34.32 | 327.8 | 336.2 | 77.80 | 13.50/12.0 | 106.6 | 2240.0/545450 | 2464.0 | 107.18 |
| 64B-3 | 101.60 | 63.50 | 60.96 | 39.40 | 369.8 | 378.3 | 90.17 | 15.00/13.0 | 119.89 | 3000.0/681820 | 3300.0 | 136.00 |
| 72B-3 | 114.30 | 72.39 | 68.58 | 44.48 | 420.0 | 429.0 | 103.60 | 17.00/15.0 | 136.27 | 3750.0/852270 | 4125.0 | 180.00 |

*直链板
*Straight side plates