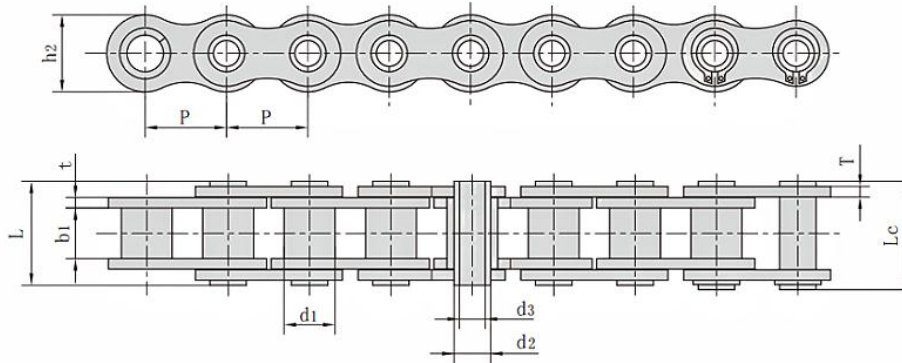


# Hollow Pin Roller Chain



Chain Size	Pitch	Roller diameter	Width between inner plates	Pin diameter		Pin length		Inner plate depth	Plate thickness	Average tensile strength	Weight per meter
	P	d1 max	b1 min	d2 max	d3 min	L max	Lc max	h2 max	t/T max	Q0	q
	mm	mm	mm	mm	mm	mm	mm	mm	mm	kN	kg/m
40HP	12.700	7.95	7.85	5.63	4.00	16.5	17.6	12.00	1.50	12.20	0.54
50HP	15.875	10.16	9.40	7.03	5.13	20.7	21.9	15.09	2.03	22.60	0.91
60HP	19.050	11.91	12.70	8.31	6.00	25.8	26.8	18.00	2.42	26.90	1.29
80HP	25.400	15.88	15.75	11.40	8.05	32.5	33.8	24.00	3.25	52.00	2.26

**CTS** 阳奇传动  
**China TransmissionS**