

Sprockets European Standard Series

1/4" × 1/8"

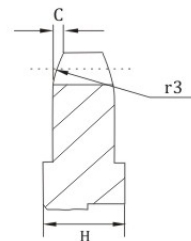
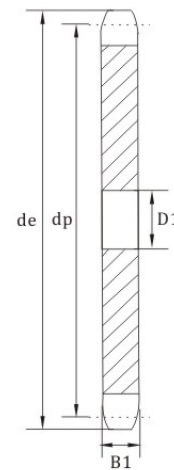
PLATEWHEELS 1/4" × 1/8"

For Chain Acc. to DIN 8187

ISO/R 606

ASA25

Z	d _e	d _p	S	
			D ₁	W
8	19.4	16.58	6	
9	21.4	18.56	6	
10	23.3	20.55	6	
11	25.3	22.54	8	
12	27.3	24.53	8	
13	29.3	26.53	8	
14	31.3	28.53	8	
15	33.3	30.53	8	
16	35.3	32.55	8	
17	37.3	34.55	8	
18	39.4	36.56	8	
19	41.4	38.58	8	
20	43.4	40.58	8	
21	45.4	42.60	8	
22	47.4	44.62	8	
23	49.4	46.63	8	
24	51.4	48.64	8	
25	53.5	50.66	8	
26	55.5	52.67	8	
27	57.5	54.69	8	
28	59.5	56.71	8	
29	61.5	58.73	8	
30	63.6	60.75	8	
31	65.6	62.76	10	
32	67.6	64.78	10	
33	69.6	66.80	10	
34	71.6	68.82	10	
35	73.6	70.84	10	
36	75.6	72.85	10	
37	77.7	74.87	10	
38	79.7	76.89	10	
39	81.7	78.91	10	
40	83.7	80.93	10	
41	85.7	82.95	10	
42	87.8	84.97	10	
43	89.8	86.98	10	
44	91.8	89.01	10	
45	93.8	91.03	10	
46	95.8	93.05	10	
47	97.9	95.07	10	
48	99.9	97.09	10	
49	101.9	99.10	10	
50	103.9	101.13	10	
51	105.9	103.14	12	
52	108.0	105.16	12	
53	110.0	107.18	12	
54	112.0	109.18	12	
55	114.0	111.23	12	
56	116.0	113.25	12	
57	118.1	115.27	12	
58	120.1	117.29	12	
59	122.1	119.31	12	
60	124.1	121.32	12	
62	128.2	125.37	12	
64	132.2	129.41	12	
65	134.2	131.43	12	
66	136.2	133.45	14	
68	140.3	137.49	14	
70	144.3	141.53	14	
72	148.4	145.58	14	
75	154.4	151.63	14	
76	156.5	153.66	14	
78	160.5	157.70	16	
80	164.5	161.74	16	
85	174.6	171.85	16	
90	184.7	181.95	16	
95	194.8	192.05	16	
100	204.9	202.15	16	
110	225.1	222.37	16	
114	233.2	230.45	16	
120	245.4	242.58	16	
125	255.5	252.68	16	



PLATEWHEELS	mm
Tooth radius r ₃	6.4
Radius width C	0.7
Tooth width B ₁	2.9
CHAIN	
Pitch	6.35
Internal width	3.18
Roller Φ	3.3
H=4mm- From	
Z=51 the width of the plate is increased	

Sprockets European Standard Series

8 × 3mm

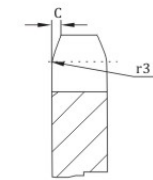
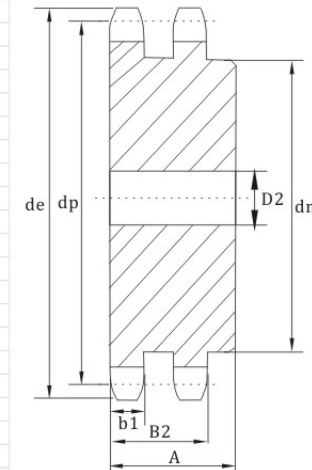
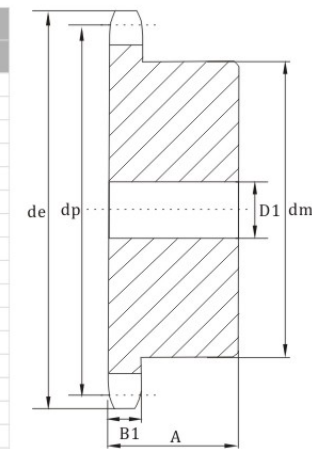
SPROCKETS 8 × 3mm

For Chain Acc. to DIN 8187

ISO/R 606

05B-1-2

Z	d _e	d _p	SIMPLEX				DUPLEX			
			d _m	D ₁	A	W	d _m	D ₂	A	W
8	24.0	20.90	13	6	12	0.01	12	8	18	0.02
9	26.6	23.39	15	6	12	0.02	15	8	18	0.03
10	29.2	25.89	17	8	12	0.02	17	8	18	0.03
11	31.7	28.39	18	8	13	0.03	19	8	18	0.04
12	34.2	30.91	20	8	13	0.04	21	8	18	0.05
13	36.7	33.42	23	8	13	0.05	24	8	18	0.07
14	39.2	35.95	25	8	13	0.05	26	8	18	0.08
15	41.7	38.48	28	8	13	0.07	29	8	18	0.10
16	44.3	41.01	30	8	14	0.08	32	10	20	0.13
17	46.8	43.53	30	8	14	0.09	34	10	20	0.15
18	49.3	46.07	30	8	14	0.10	37	10	20	0.17
19	51.9	48.61	30	8	14	0.10	39	10	20	0.20
20	54.4	51.14	30	8	14	0.11	40	10	20	0.21
21	57.0	53.68	35	8	14	0.13	40	10	20	0.25
22	59.5	56.21	35	8	14	0.14	40	10	20	0.26
23	62.0	58.75	35	8	14	0.14	40	10	20	0.28
24	64.6	61.29	35	8	14	0.15	40	10	20	0.31
25	67.5	63.83	35	8	14	0.15	40	10	20	0.32
26	69.5	66.37	40	10	16	0.20	50	12	22	0.38
27	72.2	68.91	40	10	16	0.21	50	12	22	0.40
28	74.8	71.45	40	10	16	0.21	50	12	22	0.41
29	77.3	73.99	40	10	16	0.22	50	12	22	0.43
30	79.8	76.53	40	10	16	0.22	50	12	22	0.45
31	82.4	79.08	40	10	16	0.23	60	12	22	0.50
32	84.9	81.61	40	10	16	0.24	60	12	22	0.59
33	87.5	84.16	40	10	16	0.24	60	12	22	0.62
34	90.0	86.70	40	10	16	0.25	60	12	22	0.64
35	92.5	89.25	40	10	16	0.26	60	12	22	0.66
36	95.0	91.79	40	10	16	0.27	60	12	22	0.68
37	97.6	94.33	40	10	16	0.27	60	12	22	0.70
38	100.2	96.88	40	10	16	0.28	60	12	22	0.72
39	102.7	99.42	40	10	16	0.29	60	12	22	0.75
40	105.3	101.97	40	10	16	0.30	60	12	22	0.77
41	107.8	104.51	58	10	20	0.52	78	12	38	1.51
42	110.4	107.05	58	10	20	0.53	78	12	38	1.54
43	112.9	109.60	58	10	20	0.54	78	12	38	1.56
44	115.5	112.14	58	10	20	0.55	78	12	38	1.59
45	118.0	114.69	58	10	20	0.56	78	12	38	1.62
46	120.6	117.23	58	10	20	0.57	78	12	38	1.65
47	123.1	119.77	58	10	20	0.58	78	12	38	1.67
48	125.6	122.32	58	10	20	0.59	78	12	38	1.70
49	128.2	124.86	58	10	20	0.60	78	12	38	1.73
50	130.7	127.41	58	10	20	0.61	78	12	38	1.76
51	133.3	129.95	78	10	20	0.89	78	12	38	1.79
52	135.8	132.49	78	10	20	0.90	78	12	38	1.82
53	138.4	135.04	78	10	20	0.91	78	12	38	1.85
54	140.9	137.59	78	10	20	0.92	78	12	38	1.89
55	143.5	140.13	78	10	20	0.93	78	12	38	1.92
56	146.0	142.68	78	10	20	0.94	78	12	38	1.95
57	148.6	145.22	78	10	20	0.96	78	12	38	1.99
58	151.0	147.77	78	10	34	1.46	78	12	38	2.02
59	153.6	150.31	78	10	34	1.47	78	12	38	2.06
60	156.2	152.86	78	10	34	1.48	78	12	38	2.09
62	162.0	157.95	78	10	34	1.51	78	12	38	2.18
64	167.1	163.04	78	10	34	1.54	78	12	38	2.25
65	169.6	165.58	78	10	34	1.55	78	12	38	2.29
66	172.2	168.13	78	10	34	1.57	78	12	38	2.33
68	177.3	173.22	78	10	34	1.60	78	12	38	2.41
70	182.4	178.31	78	10	34	1.63	78	12	38	2.49
72	187.5	183.40	78	10	34	1.66	78	12	38	2.58
75	195.1	191.04	78	10	34	1.70	78	12	38	2.71
76	197.7	193.59	78	10	34	1.72	78	12	38	2.76
78	202.8	198.68	*78	10	34	1.75	*78	12	38	2.85
80	207.9	203.77	*78	10	34	1.79	*78	12	38	2.95
85	220.6	216.50	*78	10	34	1.87	*88	12	43	3.67
90	233.4	229.23	*78	10	34	1.97	*88	12	43	3.94
95	246.1	241.96	*78	10	34	2.07	*88	12	43	4.21
100	258.9	254.68	*78	10	34	2.17	*88	12	43	4.50
110	284.3	280.15	*88	10	39	2.91	*88	12	43	5.13
114	294.5	290.33	*88	10	39	3.01	*88	12	43	5.40
120	310.0	305.61	*88	10	39	3.16	*88	12	43	5.82
125	322.5	318.34	*88	10	39	3.28	*88	12	43	6.18



SPROCKETS	mm
Tooth radius r ₃	8
Radius width C	1.0
Tooth width B ₁	2.8
Tooth width b ₁	2.7
Tooth width B ₂	8.3
CHAIN	
Pitch	8
Internal width	3
Roller Φ	5
Material: C45	*Weld- on hub