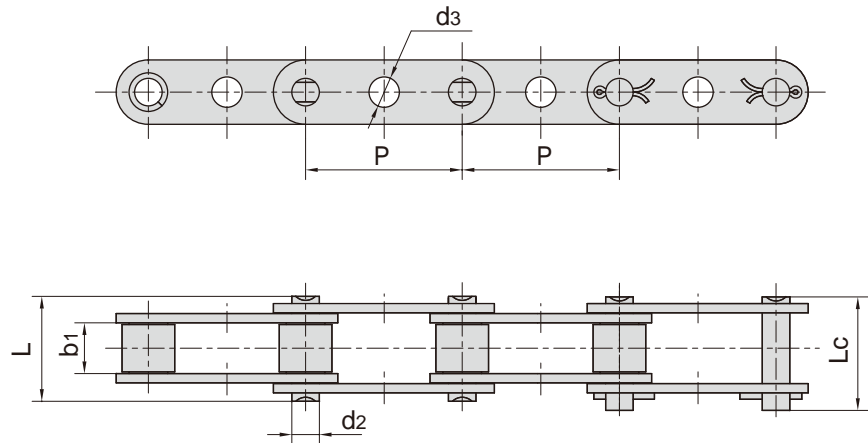


双节距带特殊附件输送链

Double pitch conveyor chains with special attachments

GK1

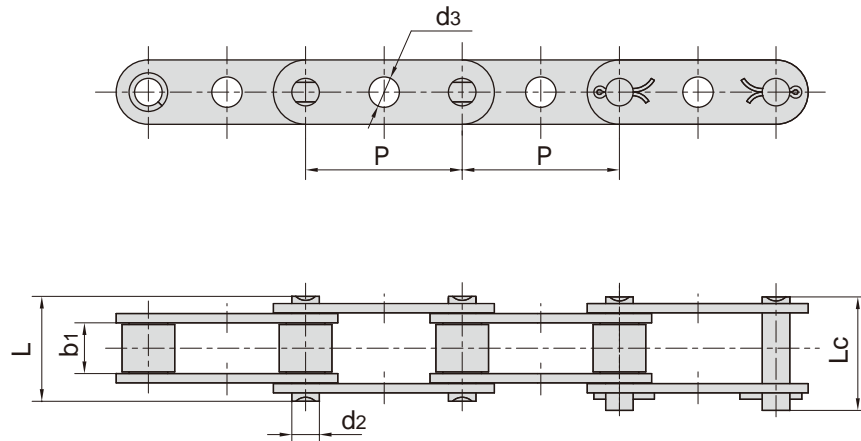


Chain Nb.	P	b1	d2	d3	L	Lc
	mm	mm	mm	mm	mm	mm
C2040GKF6	25.40	7.85	3.96	6.10	16.60	18.80
C2040GKF7	25.40	7.85	3.96	6.35/7.92	17.00	18.80
C2050F73GK	31.75	9.40	5.08	6.10	21.38	23.98
C2050GKF10	31.75	9.40	5.08	5.00	20.70	23.30
C2050GKF13	31.75	9.40	5.08	5.20	20.70	23.30
C2050GKF14	31.75	9.40	5.08	6.00	20.70	23.30
C2050GKF15	31.75	9.40	5.08	6.50	20.70	23.30
C2050GKF2	31.75	9.40	5.08	8.10	20.70	22.20
C2050GKF3	31.75	9.40	5.08	8.10	20.70	22.20
C2050GKF4	31.75	9.40	5.08	7.00	20.70	22.20
C2050GKF5	31.75	9.40	5.08	7.10	20.70	22.20
C2050GKF6	31.75	9.40	5.08	6.00	20.70	22.20
C2050GKF7	31.75	9.40	5.08	6.10	20.70	22.20
C2050GKF8	31.75	9.40	5.08	8.30	20.70	22.20
C2050HGK	31.75	9.40	5.08	8.20	22.10	23.40
C2050HGKF1	31.75	9.40	5.08	7.00	22.10	23.40
C2052HGKF3	31.75	9.40	5.08	6.00	22.10	23.40
C2050HGKF4	31.75	9.40	5.08	8.10	22.10	23.40
C2050HGKF5NP	31.75	9.40	5.08	6.50	22.10	24.50
C2050HGKF17	31.75	9.40	5.08	6.10	22.10	24.50
C2060GKF1	38.10	12.57	5.94	8.00	25.90	27.70
C2060GKF2	38.10	12.57	5.94	8.10	25.90	27.70
C2060GKF3	38.10	12.57	5.94	6.20	25.90	27.70
C2060GKF8	38.10	12.57	5.94	8.80	25.90	27.70
C2060GKF18	38.10	12.57	5.94	5.50/10.00	25.90	28.30
C2060HGKF3	38.10	12.57	5.94	8.20	29.20	31.60

双节距带特殊附件输送链

Double pitch conveyor chains with special attachments

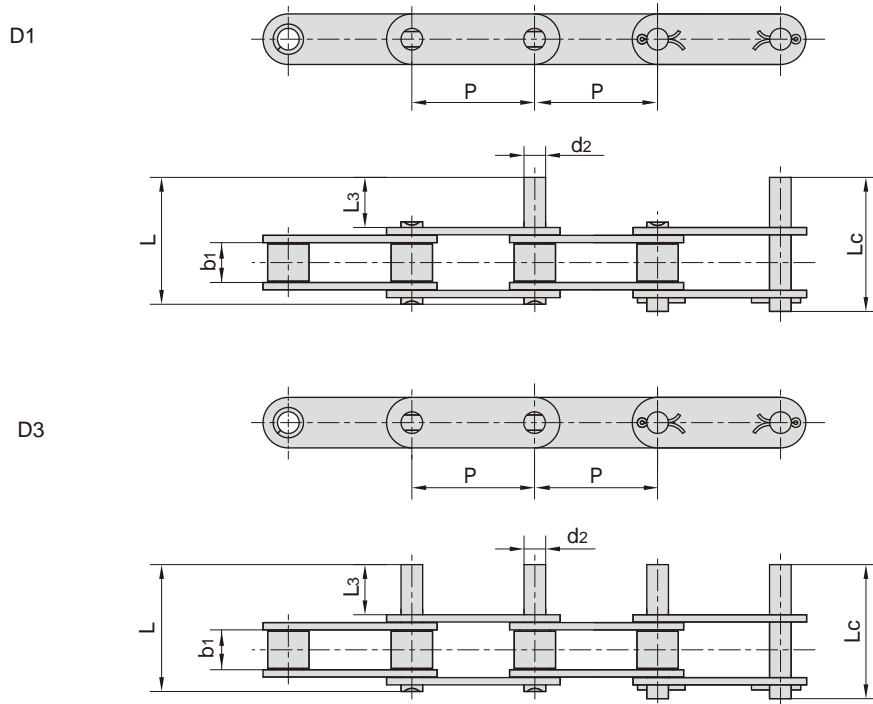
GK1



Chain No.	P	b1	d2	d3	L	Lc
	mm	mm	mm	mm	mm	mm
C2060HGKF4	38.10	12.57	5.94	8.30	29.20	31.60
C2060HGKF5	38.10	12.57	5.94	6.00	29.20	31.60
C2060HGKF6	38.10	12.57	5.94	8.33	29.20	31.60
C2060HGKF7	38.10	12.57	5.94	10.00	29.20	31.60
C2060HGKF10	38.10	12.57	5.94	8.80	29.20	31.60
C2060HGKF22	38.10	12.57	5.94	8.20	28.70	29.30
C2060HGKF24	38.10	12.57	5.94	10.60	29.20	31.60
C2060HF9	38.10	12.57	5.94	7.95	29.20	31.60
C2060HF69GK	38.10	12.57	5.94	8.33	28.70	30.80
C2062GKF25	38.10	12.57	5.94	8.00	25.90	28.30
C2080HGKF2	50.80	15.75	7.92	7.90	36.20	39.40
C2080HGKF6	50.80	15.75	7.92	11.00	36.20	39.40
C2080HGKF12	50.80	15.75	7.92	10.97	36.20	38.90
C2082GKF14	50.80	15.75	7.92	10.97	36.20	38.90
C2082GKF15	50.80	15.75	7.92	10.95	36.20	38.90
C2082GKF16	50.80	15.75	7.92	11.00	32.70	36.50
C2082GKF17	50.80	15.75	7.92	10.30	32.70	36.50
C2100F26GK	63.50	10.40	9.53	14.60/17.50	23.90	-
C2100SLRF26GK	63.50	10.10	9.53	14.58/17.60	23.80	-
C220AGK	63.50	18.90	9.53	8.00	40.40	44.70
C208BGKF1	25.40	7.75	4.45	6.00	16.70	18.20
C208BGKF3	25.40	7.75	4.45	4.50	17.70	20.10
C208BGKF4	25.40	7.75	4.45	6.10	16.70	18.20
C208BGKF6	25.40	7.75	4.45	6.00	16.70	19.30
C208BGKF7SLR	25.40	7.75	4.45	6.00	17.70	20.10
C210BF2GK	31.75	7.00	5.08	5.97	16.50	-

双节距加长销输送链

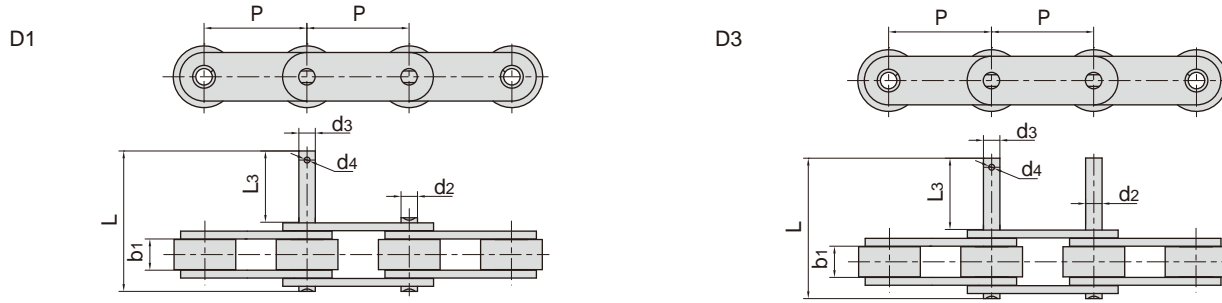
Double pitch conveyor chains with extended pins



ISO 链号 ISO Chain No.	ANSI 链号 ANSI Chain No.	P	b ₁	d ₂	L ₃	L	L _c
		mm	mm	mm	mm	mm	mm
C208A	C2040	25.40	7.85	3.96	9.5	25.1	26.2
C208AL	C2042						
C210A	C2050	31.75	9.40	5.08	11.9	31.3	33.1
C210AL	C2052						
C212A	C2060	38.10	12.57	5.94	14.3	38.6	40.6
C212AL	C2062						
C212AH	C2060H	38.10	12.57	5.94	14.3	42.0	43.8
C212AHL	C2062H						
C216A	C2080	50.80	15.75	7.92	19.1	50.3	53.3
C216AL	C2082						
C216AH	C2080H	50.80	15.75	7.92	19.1	53.5	55.0
C216AHL	C2082H						
C220A	C2100	63.50	18.90	9.53	23.8	61.8	66.1
C220AL	C2102						
C220AH	C2100H	63.50	18.90	9.53	23.8	65.0	68.3
C220AHL	C2102H						
C224AH	C2120H	76.20	25.22	11.10	28.6	79.6	83.6
C224AHL	C2122H						
C232AH	C2160H	101.60	31.75	14.27	38.1	103.0	107.8
C232AHL	C2162H						

双节距加长销输送链

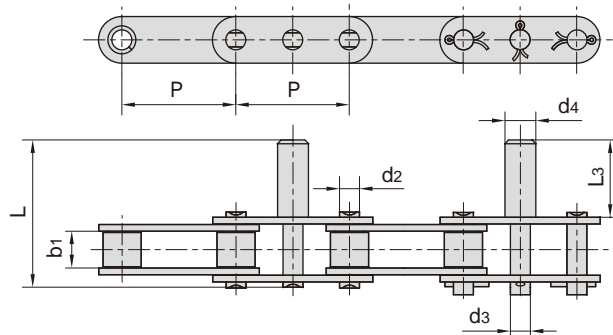
Double pitch conveyor chains with extended pins



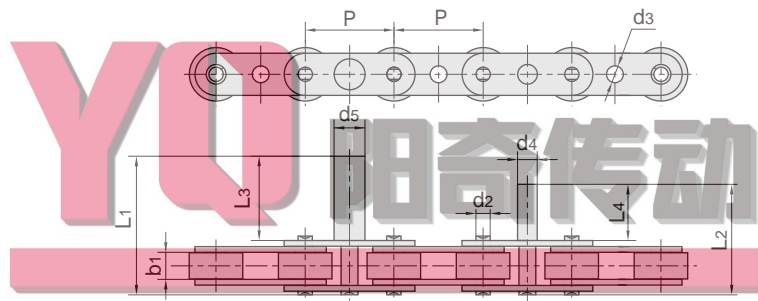
Chain No.	P	b1	L3	L	d2	d3	d4
	mm	mm	mm	mm	mm	mm	mm
2040-D3F12	25.400	7.85	8.00	23.70	3.96	6.00	-
208B-D3F17	25.400	7.75	19.40	35.10	4.45	4.65	1.60
C2040-D1F23	25.400	7.85	37.00	52.60	3.96	5.50	-
C2040-D3F13	25.400	7.85	31.75	47.35	3.96	7.94	-
C2040-D3F15	25.400	7.85	20.40	36.00	3.96	4.45	1.50
C2042-D1F20	25.400	7.85	35.00	51.00	3.96	6.00	-
C208B-D3F19	25.400	7.75	15.20	31.00	4.48	8.30	-
210B-D1F3	31.750	9.65	33.00	51.40	5.08	8.00	-
C2052-D13F2	31.750	9.40	23.40	43.00	5.08	6.00	-
C2052-D1F23	31.750	9.40	40.00	59.70	5.08	6.35	-
C2052-D1F27	31.750	9.40	20.00	41.10	5.08	9.00	-
C2052-D1F28	31.750	9.40	21.00	42.10	5.08	9.30	-
C2052-D1F52	31.750	9.40	30.00	49.50	5.08	9.00	-
C2052-D1F54	31.750	9.40	22.00	41.60	5.08	5.08	1.80
C2052-D1F71	31.750	9.40	20.00	41.10	5.08	7.00	-
C2052-D1F72	31.750	9.40	50.00	71.20	5.08	8.00	-
C2052-D3F20	31.750	9.40	22.00	41.60	5.08	5.70	-
C2052F56-D1SS	31.750	9.00	25.70	49.90	5.08	5.55	-
C2060H-D1F57	38.100	12.57	35.00	52.80	5.94	10.00	-
C2060H-D3F44	38.100	12.57	25.00	55.50	5.94	M8	-
C2060SLR-D3F55	38.100	12.57	14.30	40.50	5.94	5.94	2.00
C2062-D1F32	38.100	12.57	18.50	43.00	5.94	9.00	-
C2062-D1F40	38.100	12.57	30.00	54.60	5.94	8.00	-
C2062-D1F54	38.100	12.57	25.00	49.40	5.94	7.95	2.50
C2062-D3F31	38.100	12.57	35.00	59.50	5.94	10.00	-
C2062H-D1F47	38.100	12.57	30.00	57.80	5.94	7.95	2.50
C2062H-D1F58	38.100	12.57	29.20	57.00	5.94	9.80	-
C2062H-D1F68	38.100	12.57	26.00	53.80	5.94	5.94	2.00
C2062HF99	38.100	12.57	50.00	80.80	5.94	10.00	-
C2062HNP-D1F59	38.100	12.57	22.20	50.20	5.94	12.70	-
216B-D1F4	50.800	17.02	20.00	54.10	8.28	12.00	-
C2082-D1F21	50.800	15.75	24.50	55.60	7.92	12.00	-
C2082-D1F8	50.800	15.75	30.00	61.20	7.92	8.50	-
C2082H-D1F10	50.800	15.75	30.00	64.40	7.92	8.50	-
C2082H-D1F12	50.800	15.75	20.00	54.20	7.92	9.00	3.20
C2082H-D1F22	50.800	15.75	25.40	60.00	7.92	15.88	-
C2102H-D3F5	63.500	18.90	37.00	78.50	9.53	9.53	2.50

双节距加长销输送链

Double pitch conveyor chains with extended pins



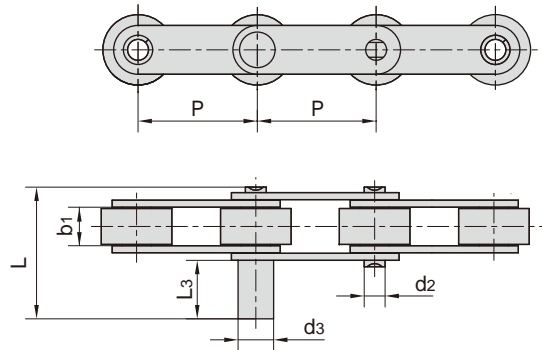
Chain No.	P	b1	d2	d3	d4	L3	L
	mm	mm	mm	mm	mm	mm	mm
C2052F2	31.75	9.40	5.08	6.00	7.00	20.00	39.80
C2052F14	31.75	9.40	5.08	6.00	7.00	21.00	40.40
C2050GKF12	31.75	9.40	5.08	5.08	5.08	11.90	34.00
C2050GKF13	31.75	9.40	5.08	5.20	10.00	35.00	54.60
C2052-D5F26	31.75	9.40	5.08	6.35	8.76	19.90	39.50
C2052-D5F27	31.75	9.40	5.08	6.35	7.11	19.70	39.00
C2060H-D23	38.10	12.57	5.94	8.80	12.70	41.30	69.30
C2060H-D24	38.10	12.57	5.94	7.95	12.70	44.80	65.60
C2060H-D31	38.10	12.57	5.94	7.95	16.00	45.00	73.00
C2060H-D5F4	38.10	12.57	5.94	7.95	12.70	50.00	77.80
C2060HF9	38.10	12.57	5.94	7.95	12.70	41.30	69.30
C2060HF10	38.10	12.57	5.94	7.70	14.30	41.30	69.30
C2060HF75	38.10	12.57	5.94	6.00	8.00	27.50	55.50
C2062-D38	38.10	12.57	5.94	5.94	11.10	24.20	48.60
C2062-D39	38.10	12.57	5.94	5.94	13.30	32.20	56.60
C2062H-D41	38.10	12.57	5.94	9.53	9.50	22.20	50.00
C2062HGKF17-D5F1	38.10	12.57	5.94	7.95	13.30	32.20	60.20
C212AHF3	38.10	12.57	5.94	8.08	10.00	35.00	63.00
C212AHF7	38.10	12.57	5.94	5.94	12.70	41.20	69.20
C212AHF8	38.10	12.57	5.94	8.00	10.00	35.00	63.00
C212AHL-D4	38.10	12.57	5.94	5.94	8.00	25.00	53.00



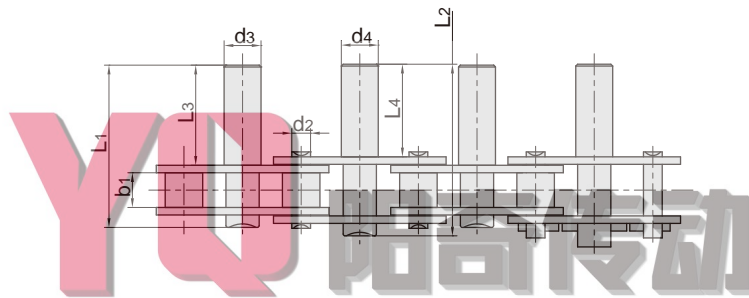
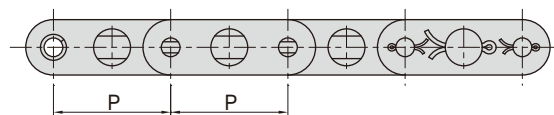
Chain No.	P	b1	d2	d4	d5	L3	L1	L4	L2
	mm	mm	mm	mm	mm	mm	mm	mm	mm
C2052F1	31.75	9.4	5.08	7.0	11.0	30.0	49.8	20.0	39.8

双节距加长销输送链

Double pitch conveyor chains with extended pins



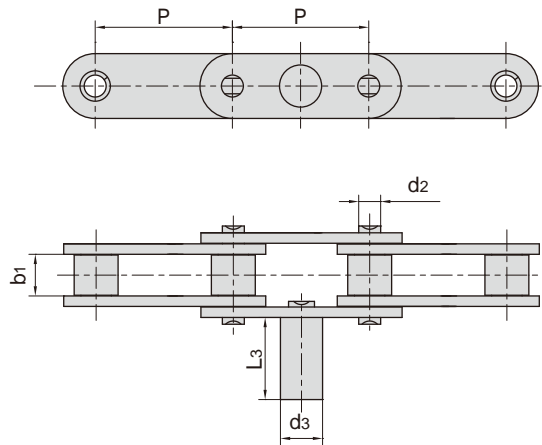
Chain Nb.	P	b1	d2	d3	L3	L
	mm	mm	mm	mm	mm	mm
C2052DF1	31.75	9.40	5.08	7.50	14.15	33.6
C210AF4	31.75	9.40	5.08	11.00	34.00	53.7
C2052-D4	31.75	9.40	5.08	6.00	32.40	52.0
C2050-D5	31.75	9.40	5.08	8.00	40.00	59.7
C212AHL-D4	38.10	12.57	5.94	8.00	25.00	53.0
C2062-D6	38.10	12.57	5.94	12.00	25.00	49.7



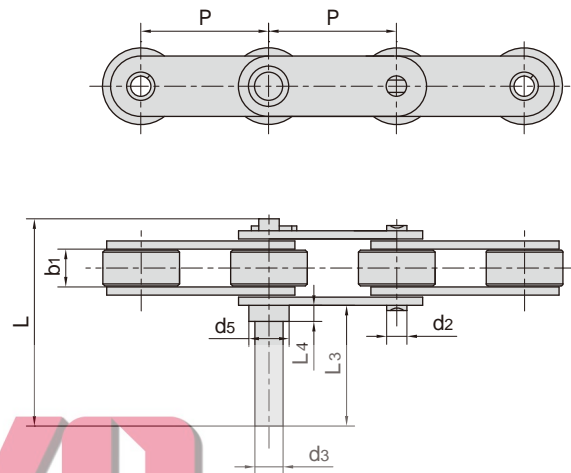
Chain Nb.	P	b1	d2	d3	d4	L3	L1	L4	L2
	mm	mm	mm	mm	mm	mm	mm	mm	mm
C2050-D5F1	31.75	9.40	5.08	10.00	10.00	43.20	60.30	41.00	62.40

双节距加长销输送链

Double pitch conveyor chains with extended pins



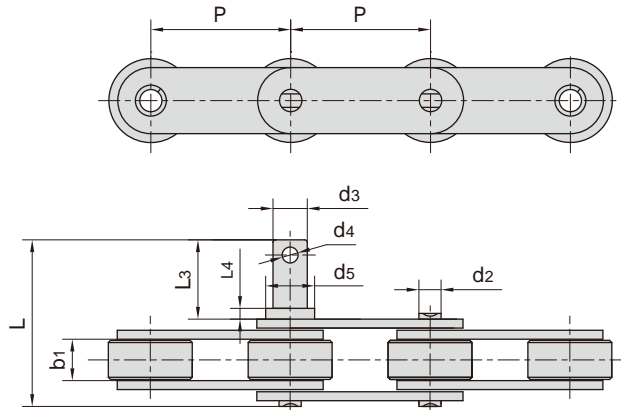
Chain No.	P	b1	L3	d2	d3
	mm	mm	mm	mm	mm
C2050-D5F25	31.75	9.40	19.00	5.08	10.00
C2050F44	31.75	9.40	19.00	5.08	9.75



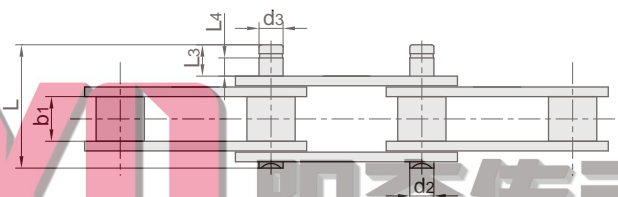
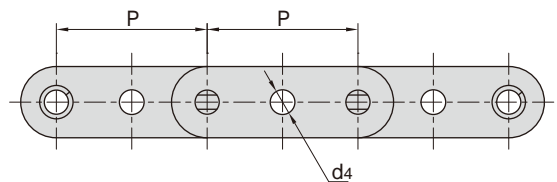
Chain No.	P	b1	L3	L4	L	d2	d3	d5
	mm	mm	mm	mm	mm	mm	mm	mm
C2052-D1F29	31.75	9.40	33.00	3.00	55.00	5.08	9.00	13.00
C2052-D3F24	31.75	9.40	33.00	3.00	55.00	5.08	9.00	13.00
C2052-D3F55	31.75	9.40	34.00	4.00	56.00	5.08	7.00	10.00

双节距加长销输送链

Double pitch conveyor chains with extended pins

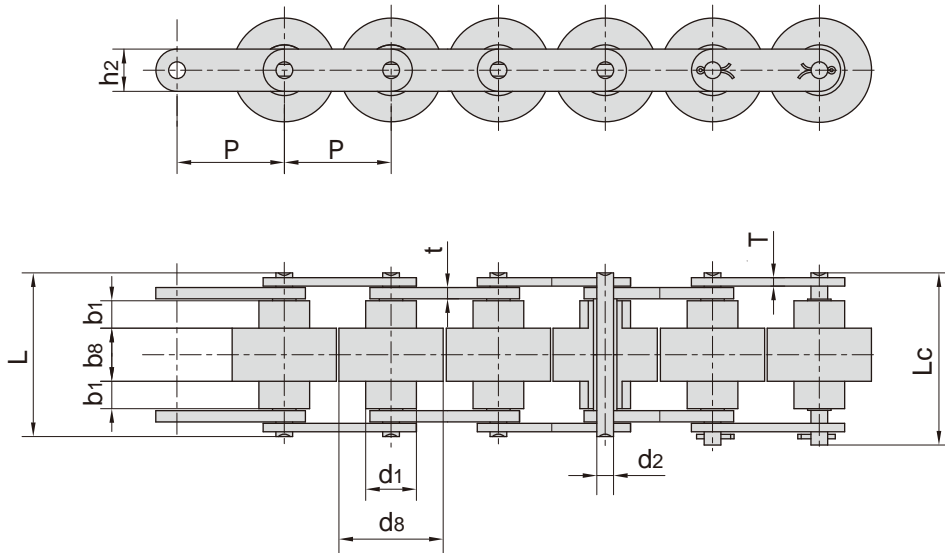


Chain No.	P	b1	L3	L4	L	d2	d3	d4	d5
	mm	mm	mm	mm	mm	mm	mm	mm	mm
C2052-D1F15	31.75	9.40	16.20	2.20	35.90	5.08	7.00	-	10.00
C2052-PF1-D3F30	31.75	9.40	14.20	2.00	33.90	5.08	5.08	-	8.00
C2062-D1F43	38.10	12.57	40.60	29.10	65.00	5.94	M5	-	5.94
C2062-D8	38.10	12.57	29.00	7.00	53.40	5.94	7.00	-	14.00
C2062H-D1F45	38.10	12.57	27.70	6.00	55.60	5.94	7.90	2.00	12.00
C2062H-D1F50	38.10	12.57	29.00	7.00	56.80	5.94	7.00	-	14.00
C2062H-D1F58	38.10	12.57	29.20	12.20	57.00	5.94	9.00	-	12.00
C2082HAA1F2-D3F2	50.80	15.75	61.50	6.00	96.50	7.92	12.00	-	15.00
C2082H-D3F19	50.80	15.75	31.00	11.00	65.50	7.92	11.90	-	15.88
C220AHSLR-D1F3	63.50	18.90	28.00	3.50	69.50	9.53	11.00	-	15.00



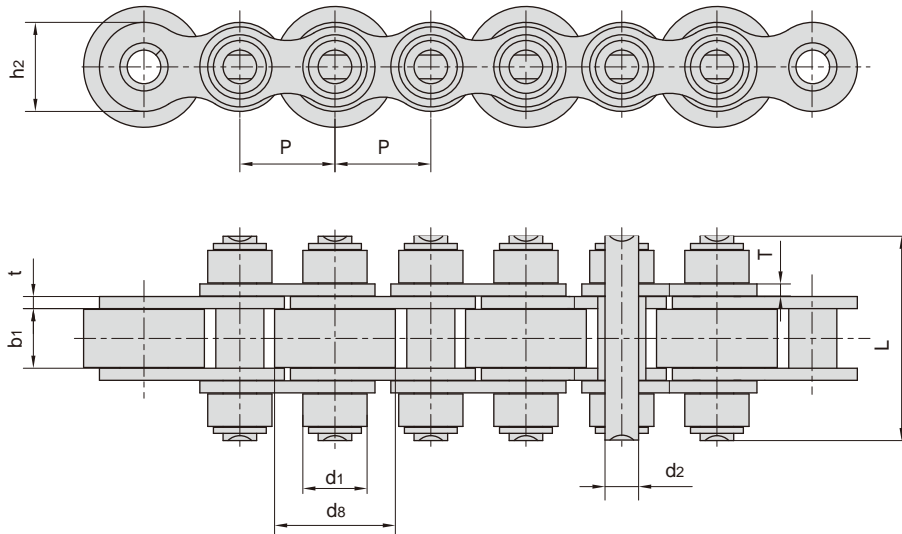
Chain No.	P	b1	L3	L4	L	d2	d3	d4
	mm	mm	mm	mm	mm	mm	mm	mm
C2050-D1F62	31.75	9.40	8.00	5.00	27.40	5.08	5.08	5.20
C2050-D1F63	31.75	9.40	5.00	2.00	24.40	5.08	5.08	5.20
C2050-D1F64	31.75	9.40	7.00	7.00	24.40	5.08	8.00	-
C2060SLR-D3F56	38.10	12.57	18.20	15.00	44.50	5.94	5.94	-

倍速链
Double plus chains



JB 链号 JB Chain No.	Chain No.	节距	滚子尺寸				销轴直径	销轴长度		链板尺寸			每米长重
		Pitch	Roller dimension				Pin diameter	Pin length		Plate dimension			Weight per meter
		P	d1 max	d8 max	b1 min	b8 max	d2 max	L max	Lc max	h2 max	T max	t max	q
		mm	mm	mm	mm	mm	mm	mm	mm	mm	mm	mm	kg/m
BS25-C206B	C2030W	19.05	11.91	18.3	4.00	8.0	3.28	24.0	25.6	8.20	1.30	1.50	0.52
BS25-C208A	C2040W	25.40	15.88	24.6	5.70	10.3	3.96	31.0	32.8	11.70	1.50	1.50	0.79
BS25-C210A	C2050W	31.75	19.05	30.6	7.10	13.0	5.08	39.5	41.2	15.00	2.00	2.03	1.36
BS25-C212A	C2060HW	38.10	22.23	36.6	8.50	15.5	5.94	50.3	52.8	18.00	3.00	4.00	2.24
BS25-C216A	C2080W	50.80	28.58	49.0	11.00	21.5	7.92	66.2	70.0	24.00	4.00	4.80	4.06
BS30-C206B		19.05	9.00	18.3	4.50	9.1	3.28	26.3	29.6	7.28	1.30	1.50	0.50
BS30-C208A		25.40	11.91	24.6	6.10	12.5	3.96	35.6	39.5	9.60	1.50	2.00	0.83
BS30-C210A		31.75	14.80	30.6	7.50	15.0	5.08	43.0	47.1	12.20	2.00	2.40	1.27
BS30-C212A		38.10	18.00	37.0	9.75	20.0	5.94	58.1	62.7	15.00	3.00	4.00	2.14
BS30-C216A		50.80	22.23	49.0	12.00	25.2	7.92	71.9	77.3	18.60	4.00	5.00	3.55

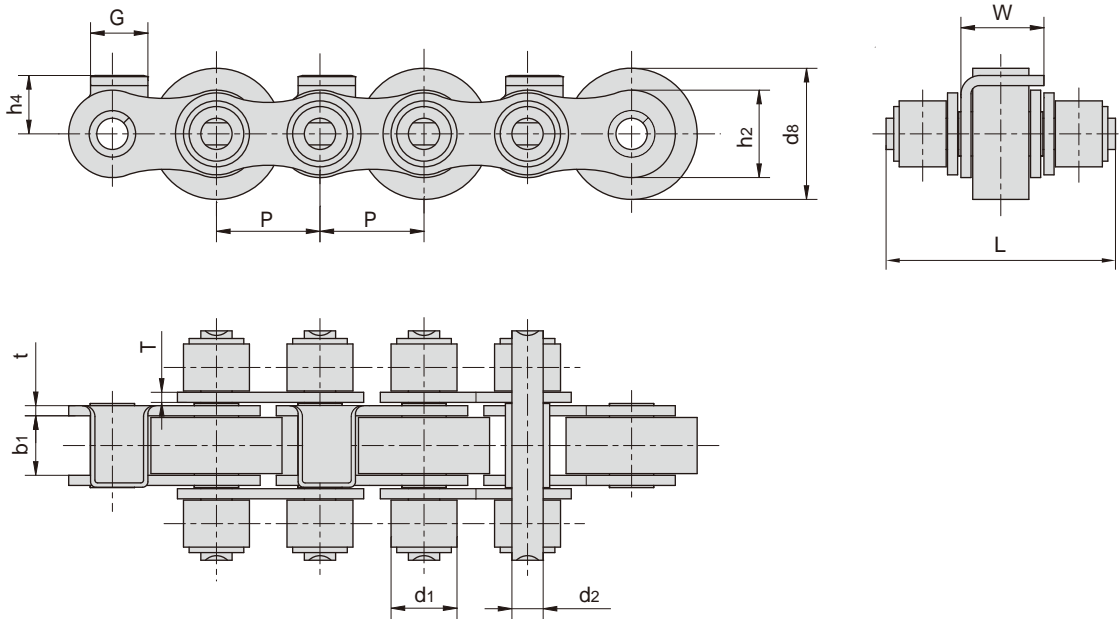
带大滚轮输送链 Conveyor chains with large rollers



Chain No.	节距 Pitch	滚子直径 Roller diameter		内节内宽 Width between inner plates	销轴直径 Pin diameter	销轴长度 Pin length	链板尺寸 Plate dimension		抗拉强度 Tensile strength	平均抗拉强度 Average tensile strength
	P	d1 max	d8 max	b1 min	d2 max	L max	h2 max	t/T max	Q min	Q0
	mm	mm	mm	mm	mm	mm	mm	mm	kN/lbf	kN
08BS-27-P16/C16	12.70	8.51	16.0	7.75	4.45	27.0	11.8	1.60/1.50	18.0/4091	19.8
08BS-33-C16	12.70	8.51	16.0	7.75	4.45	33.0	11.8	1.60/1.50	18.0/4046	19.8
08BSF8-27-C16	12.70	8.51	16.0	7.75	4.45	27.0	11.8	1.60/1.50	18.0/4046	19.8
12BS	19.05	12.07	28.0	11.68	5.72	45.0	16.0	1.85	28.9/6568	31.7
12BS-40-P28/C28	19.05	12.07	28.0	11.68	5.72	40.0	16.0	1.85	29.0/6591	31.7
12BS-43-P26/C26	19.05	12.07	26.0	11.68	5.72	43.0	16.0	1.85	29.0/6591	31.7
12BS-43-P28/C28	19.05	12.07	28.0	11.68	5.72	43.0	16.0	1.85	29.0/6591	31.7
12BS-48-P24/C24	19.05	12.07	24.0	11.68	5.72	48.0	16.0	1.85	29.0/6591	31.7
12BS-48-P26/C26	19.05	12.07	26.0	11.68	5.72	48.0	16.0	1.85	29.0/6591	31.7
12BS-48-P28/C28	19.05	12.07	28.0	11.68	5.72	48.0	16.0	1.85	29.0/6591	31.7
12BS-58-P28/C28	19.05	12.70	28.0	11.68	5.72	58.0	16.0	1.85	29.0/6591	31.7
16BS-65-P38/C38	25.40	15.88	38.0	17.02	8.28	65.0	21.0	4.15/3.10	60.0/13636	72.8
100SF1-85-C45	31.75	19.05	45.0	25.50	9.53	85.0	30.0	4.00	86.7/19490	104.0
212BS-43-P48	38.10	12.07	48.0	11.68	5.72	43.0	16.0	1.85	28.9/6568	31.7

注：P 表示滚子材料为塑料，C 表示滚子材料为钢。
Note: P means roller made in plastic, C means roller made in steel.

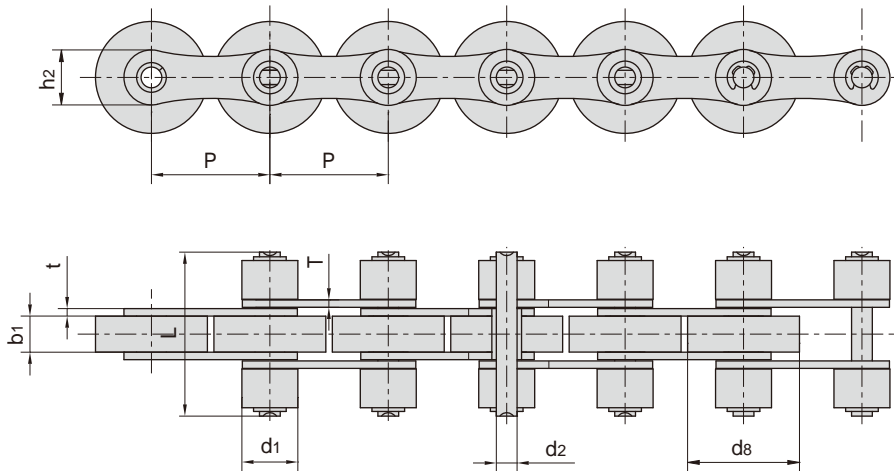
带大滚轮输送链 Conveyor chains with large rollers



Chain No.	节距 Pitch	滚子直径 Roller diameter		内节内宽 Width between inner plates	销轴直径 Pin diameter	销轴长度 Pin length	链板尺寸 Plate dimension		附板尺寸 Attachment dimension			抗拉强度 Tensile strength
	P	d1 max	d8 max	b1 min	d2 max	L max	h2 max	t/T max	h4	G	W	Q min
	mm	mm	mm	mm	mm	mm	mm	mm	mm	mm	mm	kN/lbf
12BSF5-40-C28	19.05	12.07	28.0	11.40	5.72	40.0	16.0	1.85	10.0	8.4	15.0	29.0/6519
12BSF5-43-C26	19.05	12.07	26.0	11.40	5.72	43.0	16.0	1.85	10.0	8.4	15.0	29.0/6519
12BSF5-43-P28/C28	19.05	12.07	28.0	11.40	5.72	43.0	16.0	1.85	10.0	10.5	15.0	29.0/6519
12BSF5-48-C24	19.05	12.07	24.0	11.40	5.72	48.0	16.0	1.85	10.0	8.4	13.5	29.0/6519
12BSF8-40-C28	19.05	12.07	28.0	11.40	5.72	40.0	16.0	1.85	10.0	8.0	15.0	29.0/6519
16BSF2-65-C38	25.40	15.88	38.5	17.02	8.28	65.0	21.0	4.15/3.10	16.5	12.0	24.0	60.0/13636

注: P表示滚子材料塑料, C表示滚子材料为钢。
Note: P means roller made in plastic, C means roller made in steel.

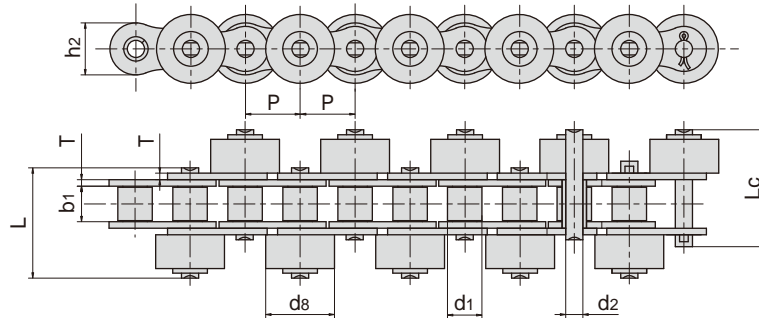
带大滚轮输送链 Conveyor chains with large rollers



Chain No.	节距 Pitch	滚子直径 Roller diameter		内节内宽 Width between inner plates	销轴直径 Pin diameter	销轴长度 Pin length	链板尺寸 Plate dimension		抗拉强度 Tensile strength	平均抗拉强度 Average tensile strength
	P	d1 max	d3 max	b1 min	d2 max	L max	h2 max	t/T max	Q min	Q0
	mm	mm	mm	mm	mm	mm	mm	mm	kN/lbf	kN
16BS-65-C24	25.4	15.88	24.0	17.02	8.28	65.0	21.0	4.15/3.10	60.0/13636	72.8
208BS-35-C24	25.4	12.00	24.0	7.75	4.45	35.0	11.8	1.60	18.0/4091	19.8
*208BSF1-35-P24	25.4	12.00	24.0	7.75	4.45	35.0	11.8	1.60	18.0/4091	19.8
212BS-48-C28	38.1	12.07	28.0	11.68	5.72	48.0	16.0	1.85	28.9/6568	31.7
212BSF2	38.1	12.07	28.0	11.68	5.72	43.0	16.0	1.85	28.9/6568	31.7
212BSF3	38.1	12.07	28.0	11.68	5.72	48.0	16.0	1.85	28.9/6568	31.7
*212BSF4	38.1	12.07	24.0	11.68	5.72	48.0	16.0	1.85	28.9/6568	31.7
212BSF4-48-C24	38.1	12.07	24.0	11.68	5.72	48.0	16.0	2.03	32.0/7194	35.2
212BSF5-43-C28	38.1	12.07	28.0	11.68	5.72	43.0	16.0	1.85	28.9/6568	31.7
*216BS-65-P50	50.8	15.88	50.0	17.02	8.28	65.0	21.0	4.15/3.10	60.0/13636	72.8
216BS-65-C38.5	50.8	15.88	38.5	17.02	8.28	65.0	21.0	4.15/3.10	60.0/13636	72.8
216BS-65-C40	50.8	15.88	40.0	17.02	8.28	65.0	21.0	4.15/3.10	60.0/13636	72.8
63PS	63.0	40.00	50.0	24.50	14.00	91.5	35.0	5.10	90.0/20232	135.0
63PSF1	63.0	38.00	46.0	21.60	12.00	84.0	30.0	4.00	66.6/15000	85.0

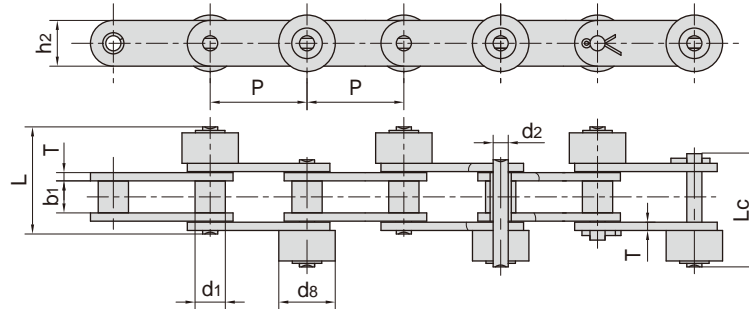
注：*表示滚子材料为塑料。
Note: * means roller made in plastic.

带侧滚轮输送链 Conveyor chains with outboard rollers



Chain No.	节距 Pitch	滚子直径 Roller diameter		内节内宽 Width between inner plates	销轴直径 Pin diameter	销轴长度 Pin length		链板尺寸 Plate dimension		抗拉强度 Tensile strength	平均抗拉强度 Average tensile strength	每米长重 Weight per meter
	P	d1 max	d8 max	b1 min	d2 max	L max	Lc max	h2 max	T max	Q min	Q0	q
	mm	mm	mm	mm	mm	mm	mm	mm	mm	kN/lbf	kN	kg/m
40-PSR	12.700	7.95	15.88	7.85	3.96	25.8	27.0	12.0	1.50	13.8/3102	17.50	1.60
*40S	12.700	7.95	15.88	7.85	3.96	25.8	27.0	12.0	1.50	13.8/3102	17.50	0.90
40S-C	12.700	7.95	15.88	7.85	3.96	25.8	27.0	12.0	1.50	15.2/3417	18.20	1.65
50-SR-C	15.875	10.16	19.05	9.40	5.08	31.8	34.0	15.1	2.03	21.8/4900	29.40	2.40
*60S	19.050	11.91	22.23	12.57	5.94	40.0	42.5	18.0	2.42	31.8/7227	38.10	1.90
60S-C	19.050	11.91	22.23	12.57	5.94	40.0	42.5	18.0	2.42	31.8/7149	38.10	3.63
*80S	25.400	15.88	28.58	15.75	7.92	51.3	54.3	24.0	3.25	56.7/12886	69.40	3.60
80S-C	25.400	15.88	28.58	15.75	7.92	51.3	54.3	24.0	3.25	56.7/12886	69.40	5.80

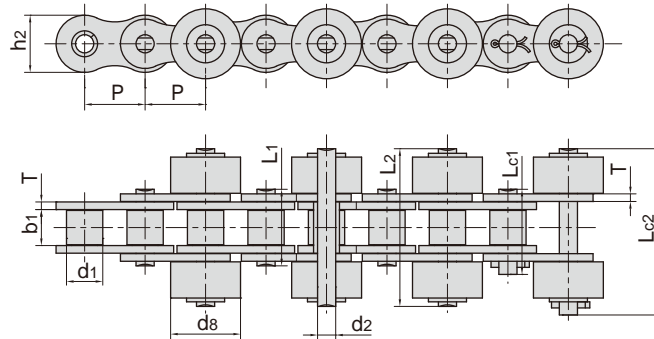
注：*表示滚子材料为塑料。
Note: * means roller made in plastic.



Chain No.	节距 Pitch	滚子直径 Roller diameter		内节内宽 Width between inner plates	销轴直径 Pin diameter	销轴长度 Pin length		链板尺寸 Plate dimension		抗拉强度 Tensile strength	平均抗拉强度 Average tensile strength	每米长重 Weight per meter
	P	d1 max	d8 max	b1 min	d2 max	L max	Lc max	h2 max	T max	Q min	Q0	q
	mm	mm	mm	mm	mm	mm	mm	mm	mm	kN/lbf	kN	kg/m
C2040S2-PSR	25.40	7.95	15.88	7.85	3.96	25.8	27.0	12.0	1.50	13.8/3137	15.2	0.99
C2050S	31.75	10.16	19.05	9.40	5.08	31.8	34.0	15.0	2.03	21.8/4955	23.9	1.52
C2052SF1	31.75	19.05	27.00	9.40	5.08	35.0	37.3	15.0	2.03	21.8/4955	23.9	3.06
24BSF1	38.10	25.40	44.15	25.40	14.63	82.0	86.5	33.2	6.0/4.8	160.0/35968	176.0	15.33
*C2060HS	38.10	11.91	22.23	12.57	5.94	44.0	46.6	18.0	3.25	31.1/7069	34.3	1.78
C2060SF7	38.10	11.91	22.23	12.57	5.94	45.5	48.0	18.0	2.42	31.1/6991	34.3	2.92
*C2062HSF6	38.10	22.23	30.00	12.57	5.94	45.0	47.8	18.0	3.25	31.1/6991	34.3	2.68
C2082HSF2	50.80	28.58	40.00	15.75	7.92	54.6	57.8	24.0	4.00	55.6/12500	69.4	6.64
*C2100HS-P	63.50	19.05	39.69	18.90	9.53	65.3	68.6	30.0	4.80	86.7/19490	109.2	4.44

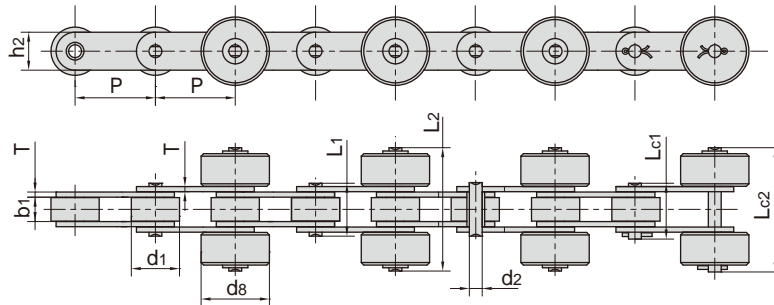
注：*表示滚子材料为塑料
Note: * means roller made in plastic

带侧滚轮输送链 Conveyor chains with outboard rollers



Chain No.	节距 Pitch	滚子直径 Roller diameter		内节内宽 Width between inner plates	销轴直径 Pin diameter	销轴长度 Pin length				链板尺寸 Plate dimension		抗拉强度 Tensile strength	每米长重 Weight per meter
	P	d1 max	d8 max	b1 min	d2 max	L1 max	L2 max	Lc1 max	Lc2 max	h2 max	T max	Q min	q
	mm	mm	mm	mm	mm	mm	mm	mm	mm	mm	mm	kN/lbf	kg/m
*08BSR2F1-P	12.700	8.51	15.88	7.75	4.45	16.7	34.7	19.3	36.5	11.80	1.60	18.0/4046	0.96
40S2-SR	12.700	7.95	15.88	7.85	3.96	16.6	35.3	18.8	37.2	12.00	1.50	14.1/3169	1.64
50SF1-C	15.875	10.16	19.05	9.40	5.08	20.7	42.8	23.3	45.0	15.09	2.03	21.8/4900	2.41
*50SF1-P	15.875	10.16	19.05	9.40	5.08	20.7	42.8	23.3	45.0	15.09	2.03	21.8/4901	1.17
60S2-C	19.050	11.91	22.23	12.57	5.94	25.9	54.0	28.3	56.6	18.00	2.42	31.8/7149	3.62
100S2	31.750	9.53	36.70	18.90	9.53	40.4	83.0	44.7	87.0	30.00	4.00	86.7/49490	9.09
100S2F1	31.750	19.05	39.40	18.90	9.53	40.4	83.0	44.7	86.9	30.00	4.00	86.7/21224	8.55

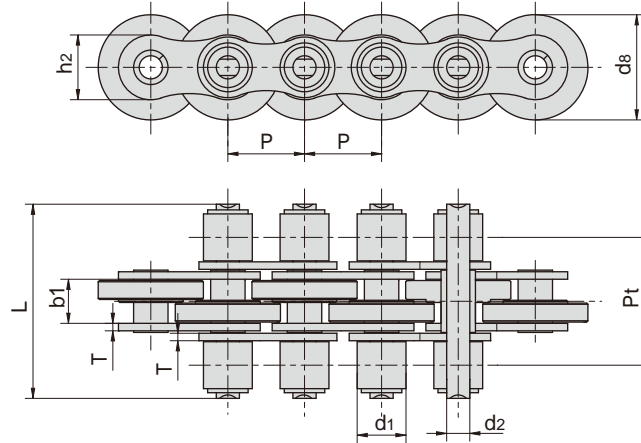
注：*表示滚子材料为塑料
Note:*means roller made in plastic



Chain No.	节距 Pitch	滚子直径 Roller diameter		内节内宽 Width between inner plates	销轴直径 Pin diameter	销轴长度 Pin length				链板尺寸 Plate dimension		抗拉强度 Tensile strength	每米长重 Weight per meter
	P	d1 max	d8 max	b1 min	d2 max	L1 max	L2 max	Lc1 max	Lc2 max	h2 max	T max	Q min	q
	mm	mm	mm	mm	mm	mm	mm	mm	mm	mm	mm	kN/lbf	kg/m
C2050S2	31.75	10.16	19.05	9.40	5.08	/	42.8	/	45.0	15.0	2.03	21.8/4899	2.20
*C2052SF2-P25.4	31.75	19.05	25.40	9.40	5.08	20.7	49.2	23.3	51.1	15.0	2.03	21.8/4900	1.23
C2060HS-C	38.10	11.91	30.00	12.57	5.94	29.2	57.6	31.6	59.2	18.0	3.25	31.8/7149	3.42
C2062HS-C	38.10	22.23	30.00	12.57	5.94	/	57.6	/	59.2	18.0	3.25	31.8/7149	5.97
C2062-SR2F1	38.10	22.23	30.00	12.57	5.94	25.9	53.7	28.3	55.6	18.0	2.42	31.1/6991	2.95
*C2062SR2F1-PA6	38.10	22.23	30.50	12.57	5.94	25.9	56.0	28.3	58.5	18.0	2.42	31.1/6991	2.35

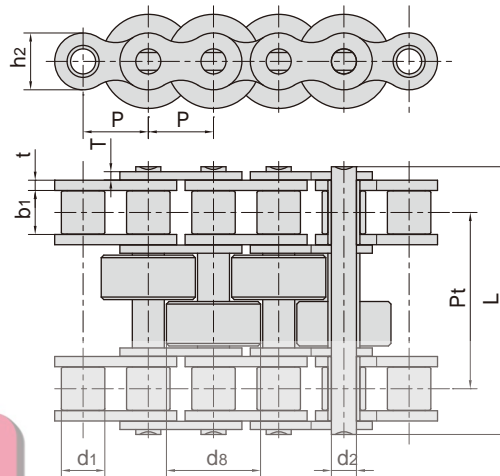
注：*表示滚子材料为塑料
Note:*means roller made in plastic

带特殊滚轮输送带 Conveyor chains with special rollers



Chain No.	节距	滚子直径		内节内宽	销轴直径	销轴长度	链板尺寸		排距	抗拉强度	平均抗拉强度
	Pitch	Roller diameter		Width between inner plates	Pin diameter	Pin length	Plate dimension		Transverse pitch	Tensile strength	Average tensile strength
	P	d1 max	d8 max	b1 min	d2 max	L max	h2 max	T max	Pt	Q min	Q0
	mm	mm	mm	mm	mm	mm	mm	mm	mm	kN/lbf	kN
12BS3-40-C27/P27	19.05	12.07	27.0	11.68	5.72	40.0	16.0	1.85	27.0	29.0/6519	34.8
12BS3F1-48-C26	19.05	12.07	26.0	11.40	5.72	48.0	16.0	1.85	31.7	29.0/6519	34.8

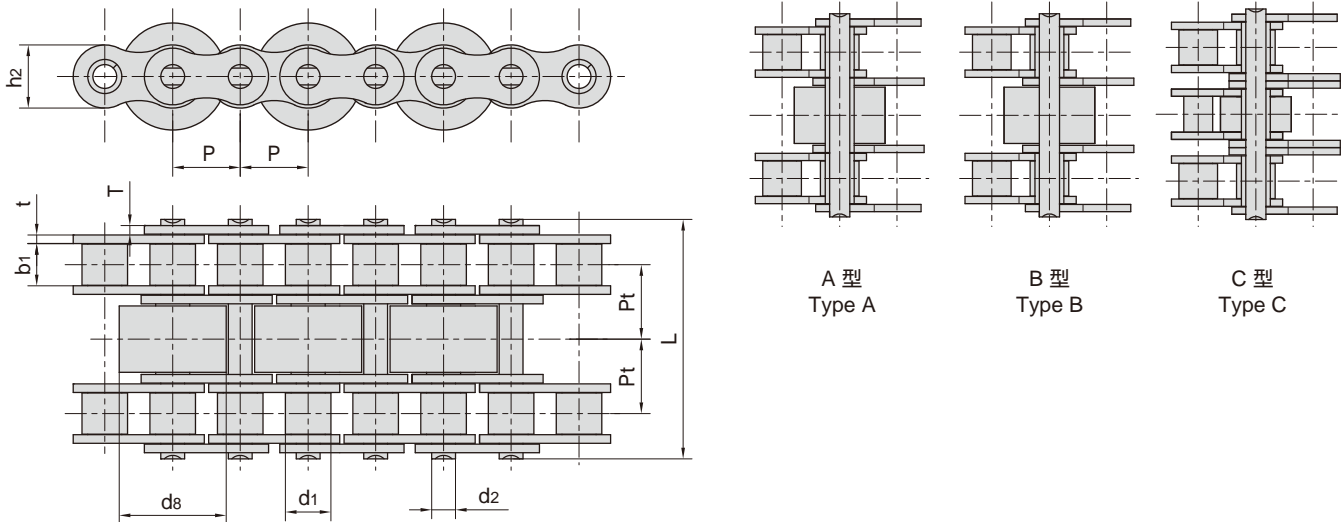
注: P表示滚子材料为塑料, C表示滚子材料为钢。
Note: P means roller made in plastic, C means roller made in steel.



Chain No.	节距	滚子直径		内节内宽	销轴直径	销轴长度	链板尺寸		排距	抗拉强度	平均抗拉强度
	Pitch	Roller diameter		Width between inner plates	Pin diameter	Pin length	Plate dimension		Transverse pitch	Tensile strength	Average tensile strength
	P	d1 max	d8 max	b1 min	d2 max	L max	h2 max	t/T max	Pt	Q min	Q0
	mm	mm	mm	mm	mm	mm	mm	mm	mm	kN/lbf	kN
24BF28-PA6	38.100	25.40	55.00	25.40	14.63	156.80	33.20	6/4.8	103.0	280.0/62944	308.0
24BSF2-2	38.100	25.40	55.00	25.40	14.63	156.80	33.20	6/4.8	102.8	280.0/62944	308.0

注: P表示滚子材料为塑料, C表示滚子材料为钢。
Note: P means roller made in plastic, C means roller made in steel.

带特殊滚轮输送链 Conveyor chains with special rollers

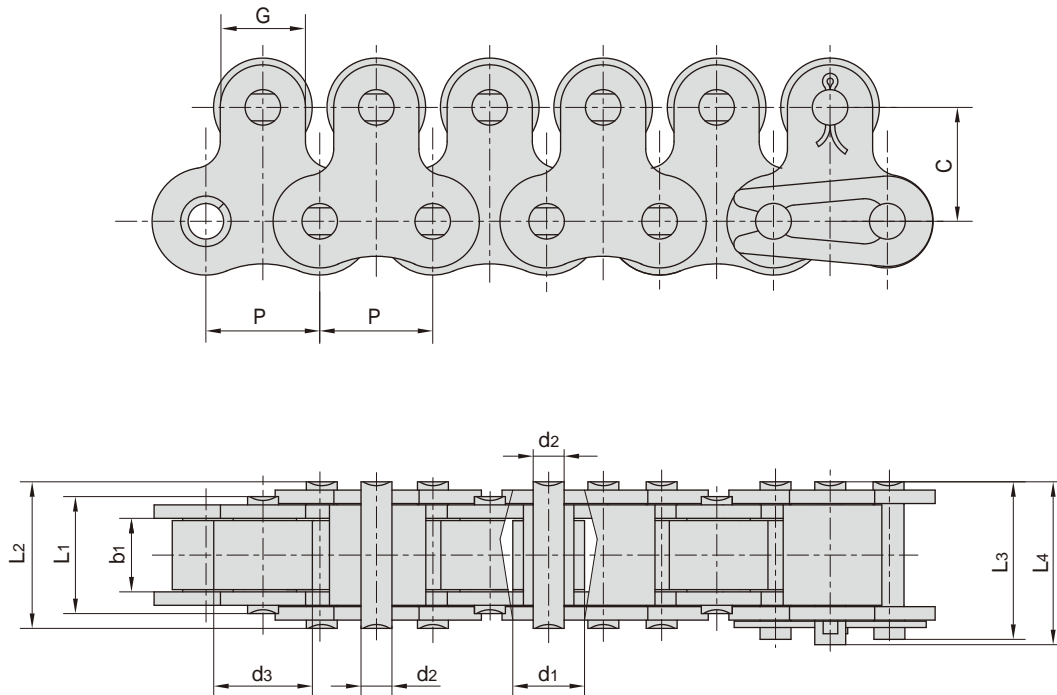


Chain No.	节距	滚子直径		内节内宽	销轴直径	销轴长度	链板尺寸		排距	抗拉强度	平均抗拉强度	型号
	Pitch	Roller diameter		Width between inner plates	Pin diameter	Pin length	Plate dimension		Transverse pitch	Tensile strength	Average tensile strength	Type
	P	d1 max	d8 max	b1 min	d2 max	L max	h2 max	t/T max	Pt	Q min	Q0	
	mm	mm	mm	mm	mm	mm	mm	mm	mm	kN/lbf	kN	
06BF52-C14.5/P14.5	9.525	6.35	14.50	5.72	3.28	33.5	8.2	1.30	10.24	14.0/3147	16.1	B
06BS-3-C15/P15	9.525	6.35	15.00	5.72	3.28	33.5	8.2	1.30	10.24	16.9/3841	18.7	B
A06BF3S-3-C15/P15	9.525	6.35	15.00	5.72	3.28	33.5	8.4	1.30	10.24	16.9/3841	18.7	B
08BS-3-45-C16	12.700	8.51	16.00	7.75	4.45	45.1	11.8	1.60	13.92	32.0/7273	38.7	A
08BS-3-45-C17	12.700	8.51	17.00	7.75	4.45	45.1	11.8	1.60	13.92	32.0/7273	38.7	A
08BS-3-45-C20	12.700	8.51	20.00	7.75	4.45	45.1	11.8	1.60	13.92	32.0/7273	38.7	A
08BSF1-3-45-C17	12.700	8.51	17.00	7.75	4.45	45.5	11.8	1.60	14.23	32.0/7273	38.7	A
08BSF6-3-45-C20	12.700	8.51	20.00	7.75	4.45	45.1	11.8	1.60	13.92	32.0/7273	38.7	B
12AF107-3-71-C28	19.050	11.91	28.58	12.57	5.94	71.5	18.0	2.42	22.78	62.6/14072	72.0	C
12AF122-2	19.050	11.91	28.00	12.57	5.94	65.3	18.0	2.42	19.60	62.3/14005	71.6	B
12AF127-3-P29	19.050	11.91	29.00	12.70	5.94	71.5	18.0	2.42	22.80	62.6/14072	72.0	B
12AF90-3-71-C28	19.050	11.91	28.58	12.57	5.94	71.5	18.0	2.42	22.78	62.6/14072	72.0	B
12ASF1-3-62-C26	19.050	11.91	25.90	12.57	5.94	62.0	18.0	2.42	17.87	62.6/14072	72.0	A
12ASF2-3-81-P28.4	19.050	11.91	28.40	12.57	5.94	81.0	18.0	2.42	27.42	62.6/14072	72.0	B
12BF45-3-C28/P28	19.050	12.07	28.00	11.68	5.72	61.5	16.0	1.85	19.46	57.8/12993	66.5	B
12BS-3-62-C24	19.050	12.07	24.00	11.68	5.72	61.5	16.0	1.85	19.46	57.8/12993	66.5	A
12BS-3-62-C26	19.050	12.07	26.00	11.68	5.72	61.5	16.0	1.85	19.46	57.8/12993	66.5	A
12BS-3-62-C28/P28	19.050	12.07	28.00	11.68	5.72	61.5	16.0	1.85	19.46	57.8/12993	66.5	A
12BS-3-62-C31	19.050	12.07	31.00	11.68	5.72	61.5	16.0	1.85	19.46	57.8/12993	66.5	B
12BSF10-3-62-C26	19.050	12.07	26.00	11.68	5.72	61.5	16.0	1.85	19.46	86.7/19705	101.8	C
12BSF10-3-62-C28	19.050	12.07	28.00	11.68	5.72	61.5	16.0	1.85	19.46	86.7/19705	101.8	C
16SB-3-100-C38	25.400	15.88	38.50	17.02	8.28	99.8	21.0	4.15/3.1	31.88	160.0/35968	184.0	C
C212BSF1-3-62-C32	38.100	12.07	32.00	11.68	5.72	61.5	16.0	1.85	19.46	57.8/12993	66.5	B
C2082HF80-2-PA6	50.800	28.58	45.00	15.75	7.92	108.0	24.0	4.00	35.65	94.0/21131	108.1	C

注: P 表示滚子材料为塑料, C 表示滚子材料为钢。
Note: P means roller made in plastic, C means roller made in steel.

带顶滚轮短节距输送链

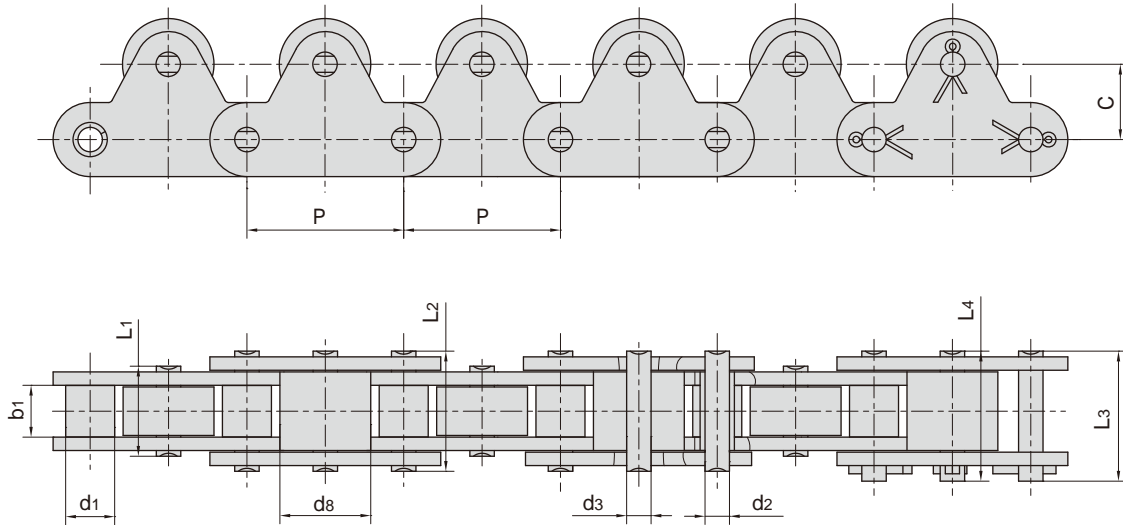
Short pitch conveyor chains with top rollers



Chi an No.	节距	滚子直径		内节内宽	销轴直径	销轴长度				附板尺寸		抗拉强度	每米长重
	Pitch	Roller diameter		Width between inner plates	Pin diameter	Pin length				Attachment dimension		Tensile strength	Weight per meter
	P mm	d1 max mm	d3 max mm	b1 min mm	d2 max mm	L1 max mm	L2 max mm	L3 max mm	L4 max mm	G mm	C mm	Q min kN/lbf	q kg/m
40-1-1LTR	12.700	7.95	11.00	7.85	3.96	13.50	16.60	17.80	18.80	9.5	12.7	14.1/3250	1.44
50-1-1LTR	15.875	10.16	15.00	9.40	5.08	16.50	20.70	22.20	23.30	12.7	15.9	22.2/4991	2.30
50-1LTRF1	15.875	19.05	19.05	9.40	5.08	16.50	20.70	22.20	-	12.7	15.9	22.2/4991	1.96
50-1LTRF2	15.875	10.16	18.00	9.40	5.08	16.50	20.70	22.20	-	12.7	15.9	22.2/4991	1.90
50-1LTRF4	15.875	10.16	19.00	9.40	5.08	-	20.70	22.20	23.30	12.7	15.9	22.2/4991	2.28
60-1-1LTR	19.050	11.91	18.00	12.57	5.94	21.00	25.90	27.70	28.30	15.9	18.3	31.8/7227	3.40
80-1-1LTR	25.400	15.88	24.00	15.75	7.92	26.20	32.70	35.50	36.50	19.1	24.6	56.7/12746	5.90
80-1LTRF1	25.400	15.88	25.58	15.75	7.92	26.20	32.70	-	36.50	19.1	24.6	56.7/12746	4.42
100-1-1LTR	31.750	19.05	30.00	18.90	9.53	32.30	40.40	44.70	44.70	25.4	31.8	88.5/20114	8.90

带顶滚轮双节距输送链

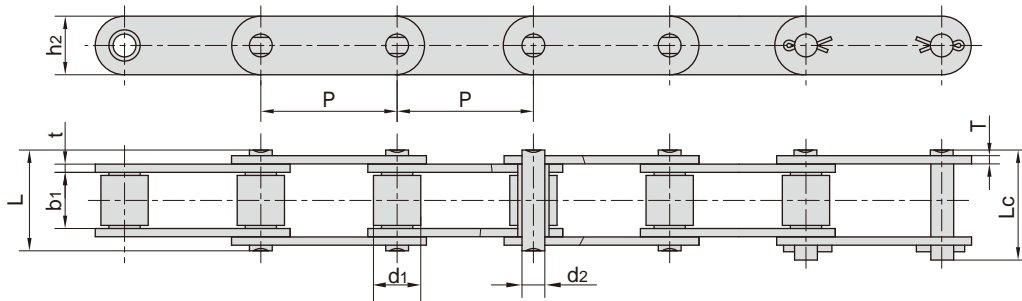
Double pitch conveyor chains with top rollers



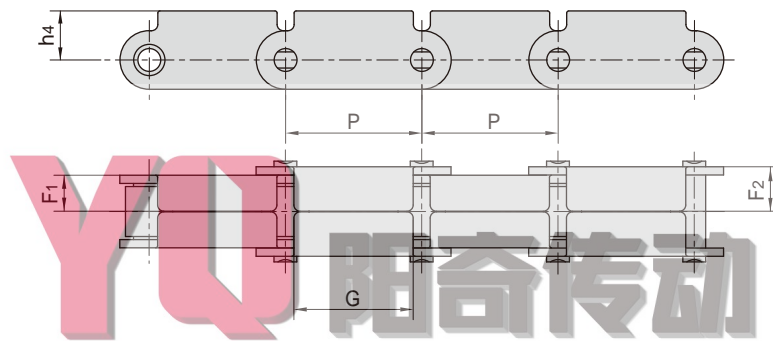
Chain No.	节距 Pitch	滚子直径 Roller diameter		内节内宽 Width between inner plates	销轴直径 Pin diameter	销轴长度 Pin length				附件尺寸 Attachment dimension		抗拉强度 Tensile strength	每米长重 Weight per meter
	P	d1 max	d8 max	b1 min	d2 max	L1 max	L2 max	L3 max	L4 max	C	d3	Q min	q
	mm	mm	mm	mm	mm	mm	mm	mm	mm	mm	mm	kN/lbf	kg/m
C2040-1LTR	25.40	7.95	15.88	7.85	3.96	13.50	16.6	17.8	18.8	12.7	3.96	14.1/3205	1.31
C2040-1LTRF2	25.40	7.95	15.88	7.85	3.96	13.50	16.6	17.8	18.8	15.0	3.96	14.1/3205	1.24
C2040-1LTRF3	25.40	7.95	15.88	7.85	3.96	13.50	16.6	17.8	18.8	15.0	3.96	10.0/2248	1.12
C2050-1LTR	31.75	10.16	19.05	9.40	5.08	16.50	20.7	22.2	23.3	15.9	5.08	22.2/5045	2.03
C2050-1LTRF3	31.75	10.16	19.05	9.40	5.08	16.50	20.7	22.2	23.3	19.0	5.08	22.2/5045	1.91
C2060-1LTR	38.10	11.91	22.23	12.57	5.94	20.70	25.9	27.5	27.5	23.0	5.94	31.8/7227	2.89
C2060-1LTRF6	38.10	11.91	22.23	15.57	5.94	21.00	25.9	27.7	28.3	23.0	5.94	31.8/7227	2.80
C2060H-1LTRF7	38.10	5.94	28.00	12.57	5.94	22.40	29.2	31.6	-	18.3	5.94	31.1/6991	1.61
C2080-1LTR	50.80	15.88	28.58	15.75	7.92	26.20	32.7	35.0	36.5	29.0	11.50	56.7/12886	4.54
C2080H-1LTR	50.80	15.88	28.55	15.75	7.92	29.28	36.2	38.9	41.6	29.0	11.10	55.6/12499	5.50
C2100-1LTR	63.50	19.05	39.67	18.90	9.53	32.30	40.4	44.7	44.7	35.4	14.50	88.5/20114	7.72
C2100-1LTRF2	63.50	19.05	39.67	18.90	9.53	32.30	40.4	44.7	44.7	31.8	9.53	88.5/20114	7.42

ChinaTransmissions

木材输送链及附件 Lumber conveyor chains & attachments

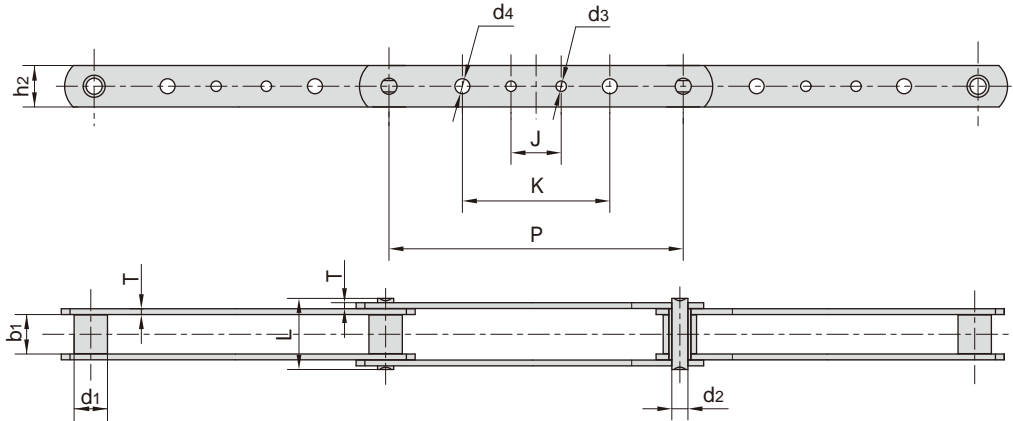


Chain No.	节距 Pitch	滚子直径 Roller diameter	内节内宽 Width between inner plates	销轴直径 Pin diameter	销轴长度 Pin length		内链板高度 Inner plate depth	链板厚度 Plate thickness	抗拉强度 Tensile strength	平均抗拉强度 Average tensile strength	每米长重 Weight per meter
	P	d1 max	b1 min	d2 max	L max	Lc max	h2 max	t/T max	Q min	Q0	q
	mm	mm	mm	mm	mm	mm	mm	mm	kN/lbf	kN	kg/m
P42.47F1	42.47	22.20	27.00	11.10	49.0	53.5	28.60	4.00	97.0/21806	106.7	4.74
500R	50.00	25.40	25.40	14.63	52.0	56.4	40.00	5.00	100.0/22727	114.5	7.13
500RF1	50.00	25.40	25.40	14.63	53.4	60.1	40.00	5.00	120.0/29376	132.0	7.23
81X	66.27	23.00	27.00	11.10	49.0	53.5	28.50	4.00	106.7/24250	128.9	3.78
81XF14	66.27	23.00	27.00	11.10	50.8	53.8	28.70	4.00	85.5/19426	91.4	3.78
81XH	66.27	23.00	27.78	11.10	60.7	65.1	31.35	7.94/5.55	151.9/34523	175.7	5.88
81XHE	66.27	22.20	27.00	11.10	59.5	63.0	28.50	6.30	83.3/18927	89.1	5.09
81XHH	66.27	23.00	27.78	11.10	65.6	70.0	31.35	7.94	191.1/43432	212.6	6.70
81XHS	66.27	23.00	27.00	11.10	63.6	68.0	31.80	7.60	152.0/34545	177.2	6.55
441.100R	100.00	25.40	25.40	14.63	52.0	56.4	40.00	5.00	100.0/22727	114.5	5.15
P100F271	100.00	25.40	25.40	14.63	54.0	58.0	40.00	5.00	100.0/22480	110.0	5.22

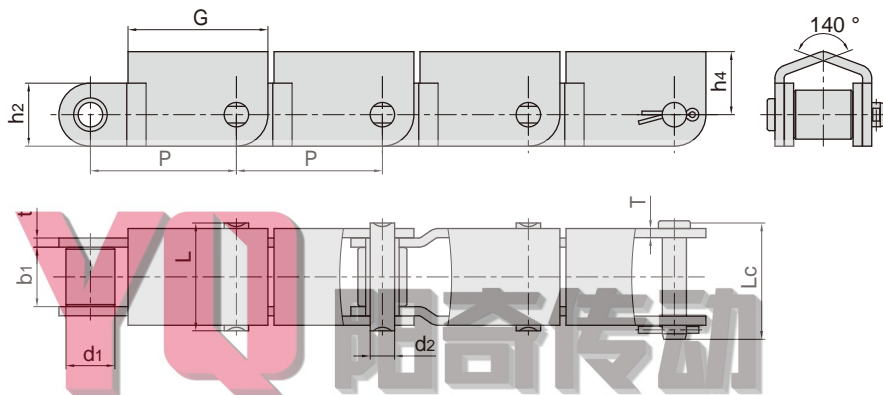


Chain No.	P	F1	F2	G	h4
	mm	mm	mm	mm	mm
81XF1(RT)	66.27	17.50	21.80	58.00	23.85

木材输送链及附件 Lumber conveyor chains & attachments



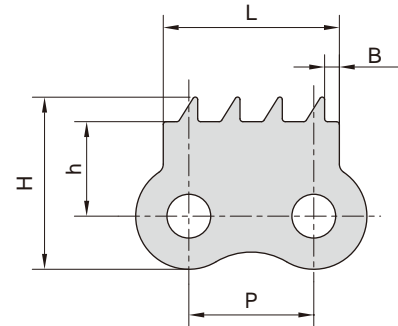
Chain No.	节距	滚子直径	内节内宽	销轴尺寸		链板尺寸					链板厚度	抗拉强度	平均抗拉强度	每米长重
	Pitch	Roller diameter	Width between inner plates	Pin dimension		Plate dimension					Plate thickness	Tensile strength	Average tensile strength	Weight per meter
	P	d1 max	b1 min	d2 max	L max	h2 max	d3 max	d4 max	J max	K max	T max	Q min	Q0	q
	mm	mm	mm	mm	mm	mm	mm	mm	mm	mm	mm	kN/lbf	kN	kg/m
3939-B4	203.2	23.0	27.0	11.1	49.0	28.58	7.2	7.2	38.1	101.6	4.0	115.58/26268	136.5	2.45
3939-B21	203.2	23.0	27.0	11.1	49.0	28.58	7.2	-	38.1	-	4.0	115.58/26268	136.5	2.45
3939-B23	203.2	23.0	27.0	11.1	49.0	28.58	-	10.3	-	92.1	4.0	115.58/26268	136.5	2.45
3939-B24	203.2	23.0	27.0	11.1	49.0	28.58	-	7.2	-	101.6	4.0	115.58/26268	136.5	2.48
3939-B40	203.2	23.0	27.0	11.1	49.0	28.58	-	10.3	-	101.6	4.0	115.58/26268	136.5	2.45
3939-B43	203.2	23.0	27.0	11.1	49.0	28.58	7.2	10.3	38.1	92.1	4.0	115.58/26268	136.5	2.42
3939-B44	203.2	23.0	27.0	11.1	49.0	28.58	7.2	10.3	38.1	101.6	4.0	115.58/26268	136.5	2.45
3939H-B4	203.2	23.0	27.0	11.1	58.0	28.60	-	7.2	38.0	102.0	6.4	150.00/34082	172.5	3.51



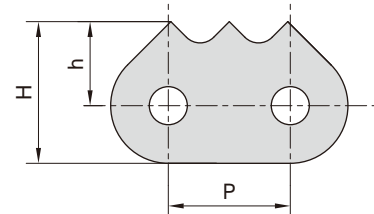
Chain No.	节距	滚子直径	内节内宽	销轴直径	销轴长度		链板尺寸				抗拉强度	每米长重
	Pitch	Roller diameter	Width between inner plates	Pin diameter	Pin length		Plate dimension				Tensile strength	Weight per meter
	P	d1 max	b1 min	d2 max	L max	Lc max	h2 max	t/T max	G	h4	Q min	q
	mm	mm	mm	mm	mm	mm	mm	mm	mm	mm	kN/lbf	kg/m
P66.27F6	66.27	22.23	27.00	11.10	49.00	53.80	28.60	4.15	63.50	28.60	97.8/21985	5.25

尖齿链
Sharp top chains

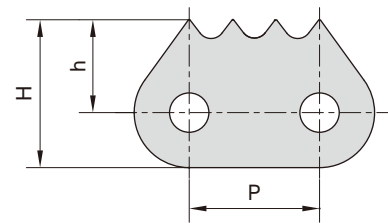
Chai n Nb.	P	h	H	B	L
	mm	mm	mm	mm	mm
08B-940	12.70	9.60	17.50	1.50	17.90



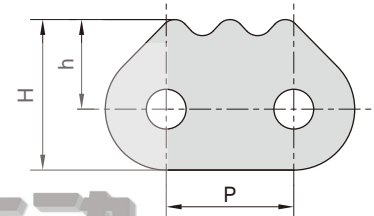
Chai n Nb.	P	h	H
	mm	mm	mm
16AF1	25.40	17.5	29.50
C16A-3PEP	25.40	17.4	29.00
C16BF3	25.40	18.7	29.20



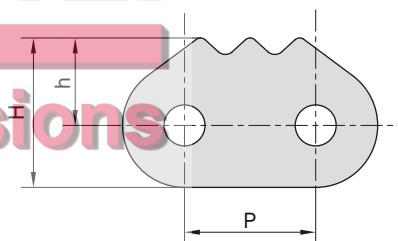
Chai n Nb.	P	h	H
	mm	mm	mm
12BF3	19.05	13.5	21.5
C16A-1170	25.40	16.5	28.0
16B-1170	25.40	16.0	26.5
16B-1172	25.40	15.0	25.5
C24B-4STC	38.10	18.3	35.0



Chai n Nb.	P	h	H
	mm	mm	mm
C60F2	19.05	13.38	22.48

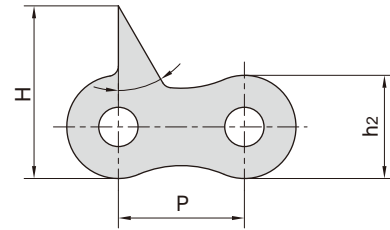


Chai n Nb.	P	h	H
	mm	mm	mm
12B-910	19.05	13.70	21.70
60-910	19.05	12.70	21.70
C16A-1-3PEPF1	25.40	17.50	29.50
C100-1-3STC	31.75	19.15	34.15
C24A-1-3STC	38.10	23.10	40.90

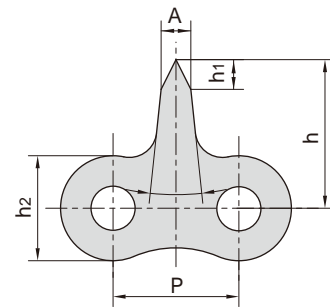


尖齿链
Sharp top chains

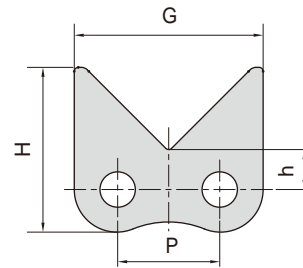
Chain n Nb.	P	h ₂	H	
	mm	mm	mm	
08A-D2-F1	12.7	10.4	17.4	30 °
08AF34	12.7	10.4	17.9	30 °



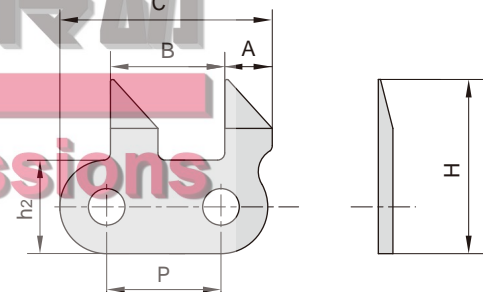
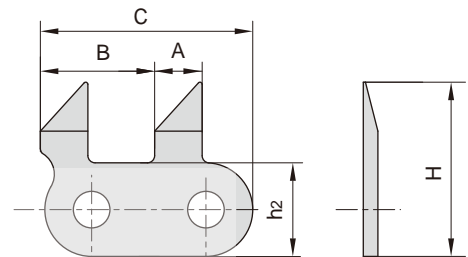
Chain n Nb.	P	h ₁	h ₂	h	A	
	mm	mm	mm	mm	mm	
08BF21	12.7	3.0	10.6	15.0	3.0	12 °



Chain n Nb.	P	H	h	G
	mm	mm	mm	mm
08BF73	12.7	20.5	5.0	23.5



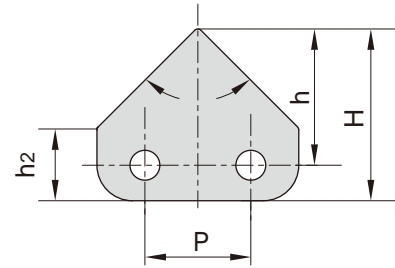
Chain n Nb.	P	A	B	C	h ₂	H
	mm	mm	mm	mm	mm	mm
10AF8	15.875	6.6	15.875	29.5	13.0	24.2



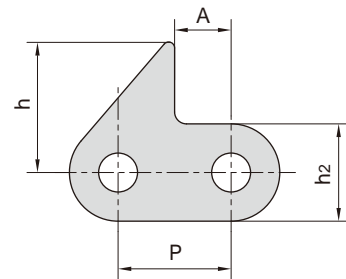
YQ 阳奇传动
ChinaTransmissions

尖齿链
Sharp top chains

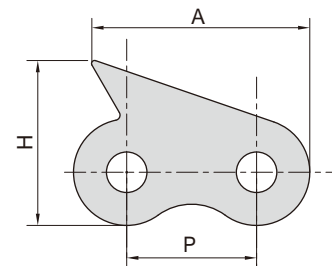
Chai n Nb.	P	H	h	h2	
	mm	mm	mm	mm	
41F6	12.7	20.6	16.35	8.70	90 °



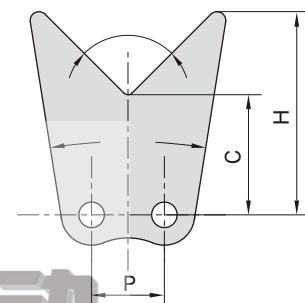
Chai n Nb.	P	h2	h	A
	mm	mm	mm	mm
06BF1	9.525	8.20	11.00	4.76
06BF37	9.525	8.20	10.00	4.76
08AF41	12.700	10.40	11.80	6.35
10AF78	15.875	15.09	16.88	9.72
16B-1STCF6	25.400	21.00	27.50	0.70
16BF97-STC	25.400	21.00	23.50	2.70
C210AH-1STCF1	31.750	15.00	13.50	20.00



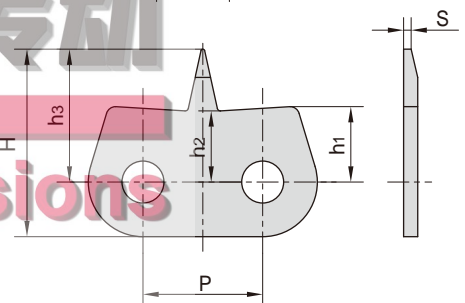
Chai n Nb.	P	H	A
	mm	mm	mm
08BF44	12.7	16.30	23.30
08AF8	12.7	16.13	21.34



Chai n Nb.	P	C	H		
	mm	mm	mm		
428HJF1	12.7	21.5	36.15	90 °	18 °
428HJF2	12.7	14.5	33.60	90 °	34 °

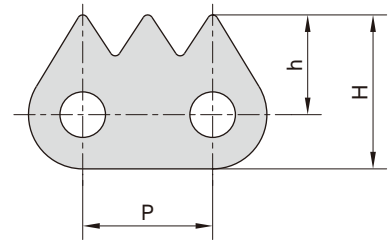


Chai n Nb.	P	h1	h2	h3	H	s
	mm	mm	mm	mm	mm	mm
08BF11	12.70	8.0	7.8	14.1	19.9	0.8

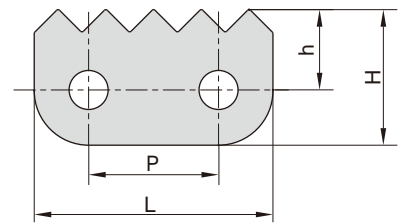


尖齿链
Sharp top chains

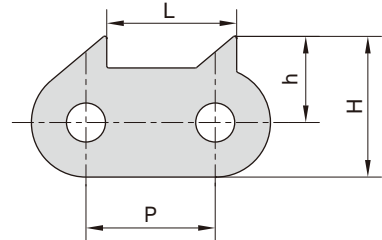
Chain No.	P	h	H
	mm	mm	mm
08BF71	12.70	9.75	15.05



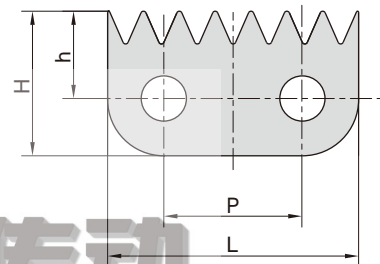
Chain No.	P	h	H	L
	mm	mm	mm	mm
C10B-5STCF1	15.875	11.3	18.8	30.9
10AF41-2	15.875	11.5	19.0	30.9
12B-911	19.050	11.9	20.0	35.0



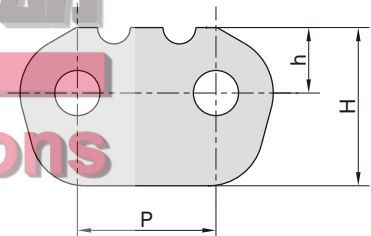
Chain No.	P	h	H	L
	mm	mm	mm	mm
C12B-9010	19.05	13.00	21.00	19.05
C12B-940	19.05	13.20	22.30	19.75
C60-2STCF1	19.05	12.95	21.95	19.80
C60-2STCF2	19.05	13.30	22.40	19.80
C12B-1-9010	19.05	12.50	20.50	19.05
C16B-1160	25.40	17.00	27.50	25.40
C16B-1161	25.40	17.00	27.50	25.40
C16A-1160	25.40	18.00	29.50	25.40
C16A-1-1160F2	25.40	18.00	29.50	25.40
C24B-2STCF1	38.10	19.50	35.50	25.00



Chain No.	P	h	H	L
	mm	mm	mm	mm
16B-1187	25.40	16.00	26.50	46.00

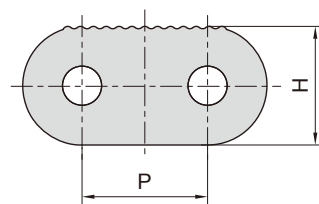


Chain No.	P	h	H
	mm	mm	mm
16BF45	25.40	12.00	29.00

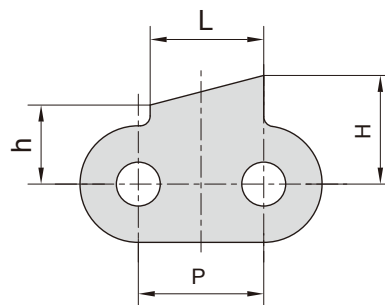


尖齿链 Sharp top chains

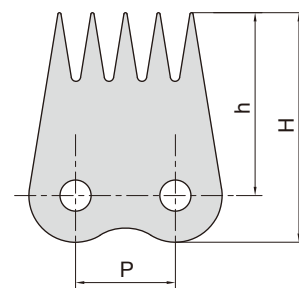
Chain n. No.	P	H
	mm	mm
C40-13STC	12.70	12.00



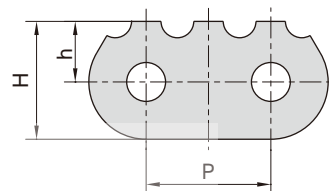
Chain n. No.	P	h	H	L
	mm	mm	mm	mm
08BF128	12.70	8.00	11.00	11.50



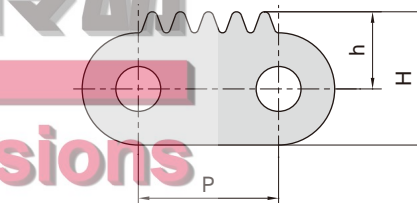
Chain n. No.	P	h	H
	mm	mm	mm
12AF91	19.05	34.90	43.80



Chain n. No.	P	h	H
	mm	mm	mm
60-911	19.05	9.25	18.00
60-912	19.05	9.20	17.95

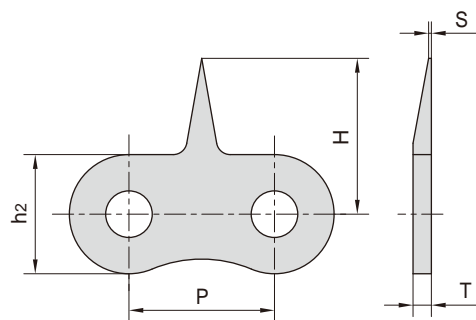


Chain n. No.	P	h	H
	mm	mm	mm
LL1044F1	15.875	8.73	15.08

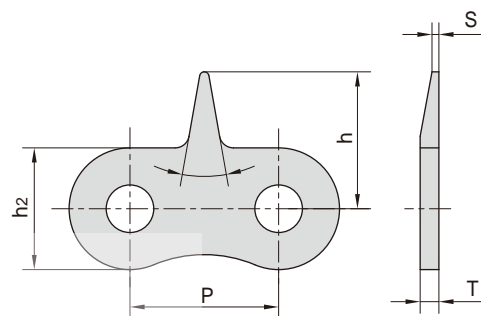


尖齿链
Sharp top chains

Chain No.	P	h ₂	H	S	T
	mm	mm	mm	mm	mm
08AF29	12.700	10.60	15.6	-	1.50
08BF90	12.700	10.60	17.0	0.3	1.60
08B-1STCF15	12.700	10.20	17.0	-	1.60
10AF2	15.875	13.00	17.0	0.3	2.03
10AF15	15.875	15.09	17.0	-	2.03
10AF23	15.875	13.00	20.8	0.3	2.03
10AF48	15.875	13.00	16.9	-	2.03
10BF50	15.875	13.70	17.0	0.3	1.70
10AF58	15.875	15.09	17.0	-	2.03

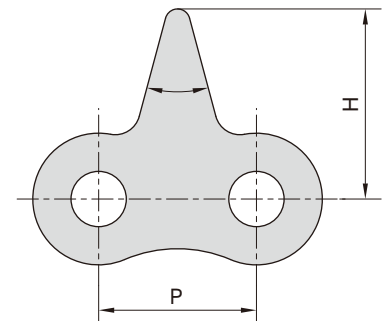


Chain No.	P	h ₂	h	T	S	
	mm	mm	mm	mm	mm	
08BF25	12.70	10.6	15.6	1.60	-	30 °
08BF29	12.70	10.6	14.5	1.60	0.8	30 °
08BF30	12.70	10.6	14.5	1.60	0.3	30 °
08BF35	12.70	10.6	21.5	1.60	0.6	30 °
08BF67	12.70	10.6	16.1	1.60	0.3	30 °
08BF195	12.70	10.6	14.5	1.60	0.4	30 °
08AF10	12.70	10.6	15.6	1.50	-	30 °
12B-1STCF1	19.05	15.0	19.0	1.85	-	30 °
12AF33	19.05	15.6	19.7	2.42	0.6	18 °

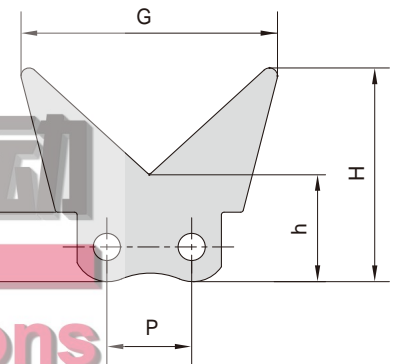


尖齿链 Sharp top chains

Chain No.	P	H	
	mm	mm	
06BF39	9.525	11.00	30 °
08AF10	12.700	15.60	30 °
08BF30	12.700	14.50	30 °
08BF38	12.700	14.60	40 °
08BF5	12.700	15.30	30 °
08BF51	12.700	14.00	50 °
08BF56	12.700	14.40	30 °
08BF86	12.700	15.00	50 °
08BSSF11	12.700	14.60	40 °
08A-1STCF10	12.700	13.80	30 °
08AF66	12.700	17.10	45 °
41-1STCF1	12.700	14.60	30 °
08B-1STCF22	12.700	13.84	30 °
08B-1STCF23	12.700	18.84	30 °
08B-1STCF28	12.700	14.60	40 °
08BF140	12.700	12.50	30 °
08BF141	12.700	14.50	30 °
10AF7	15.875	15.88	21 °
10BF40	15.875	17.40	25 °
10AF61	15.875	17.00	20 °
10B-1STCF3	15.875	21.00	26 °
10B-1STCF4	15.875	18.00	45 °
12A-1STCF1	19.050	25.00	28 °
12B-1STCF1	19.050	19.00	30 °
12A-1STCF2	19.050	28.00	30 °
16AF44	25.400	31.80	50 °
16A-1STCF4	25.400	29.80	40 °
16A-1STCF5	25.400	31.75	60 °
20A-1STCF1	31.750	53.00	82.1 °

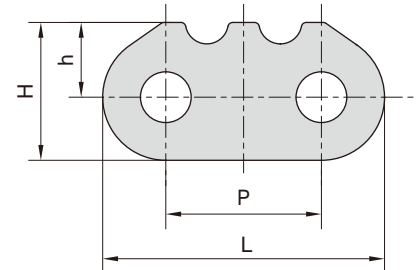


Chain No.	P	H	h	h2	G	
	mm	mm	mm	mm	mm	
50F21	15.875	40.0	20.0	13.0	48.0	

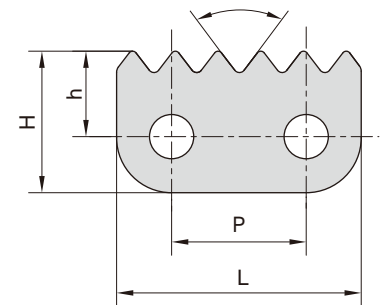


尖齿链
Sharp top chains

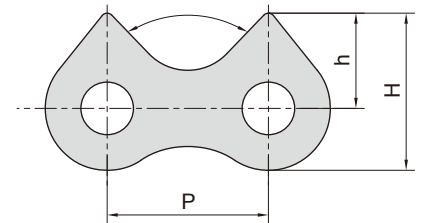
Chain No.	P	L	h	H
	mm	mm	mm	mm
16B-1180	25.40	46.00	12.2	22.5



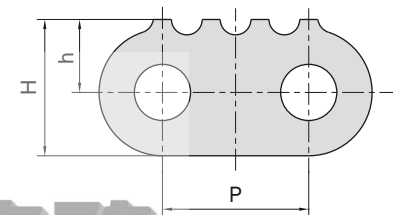
Chain No.	P	L	h	H	
	mm	mm	mm	mm	
25HF5-6STC	6.35	5.8	8.8	12.2	90 °
16B-1185	25.40	46.0	16.0	26.5	75 °
16B-6STC	25.40	46.0	16.0	26.5	73.4 °



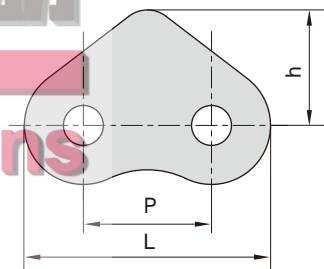
Chain No.	P	h	H	
	mm	mm	mm	
16B-2STCF1	25.40	15.0	24.75	88 °
20A-2STCF1	31.75	23.0	35.95	80 °
20A-2STCF3	31.75	23.0	35.95	82 °
32B-2STCF1	50.80	34.0	55.00	91.46 °



Chain No.	P	h	H
	mm	mm	mm
24B-1810	38.10	19.00	35.50
120F6	38.10	21.00	35.50

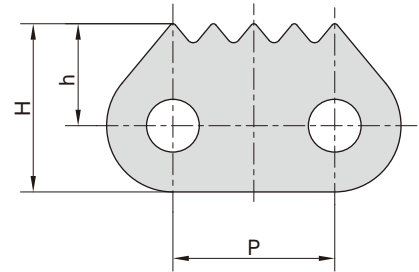


Chain No.	P	L	h
	mm	mm	mm
16BF5	25.40	48.8	22.90
16BF6	25.40	46.0	30.00

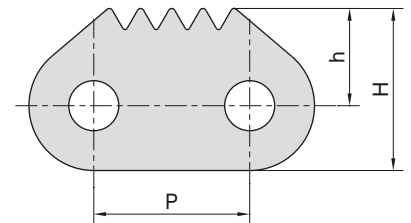


尖齿链
Sharp top chains

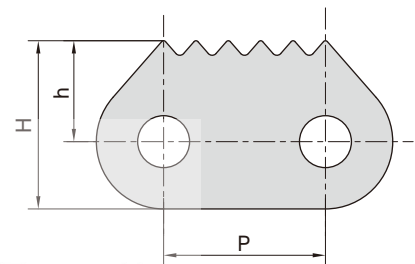
Chain No.	P	h	H
	mm	mm	mm
C12BF56-STC	19.05	13.00	22.00
16A-1171	25.40	16.00	26.40
C16A-5PEP	25.40	17.40	29.00
C16AF2	25.40	17.50	29.50
C16A-5PEPF1	25.40	17.30	29.50
C16BF2	25.40	18.70	29.20
16BF24	25.40	16.00	26.40
26BF29	25.40	15.90	26.40
C16A-2-5PEPF1	25.40	17.30	29.50
16B-5STCF3	25.40	13.70	24.20
16B-5STCF4	25.40	13.90	24.40
16B-5STCF5	25.40	13.50	24.00
C100-2-5STC	31.75	20.70	35.43
C24B-1831	38.10	22.50	39.00
24A-1-STC	38.10	21.00	38.05



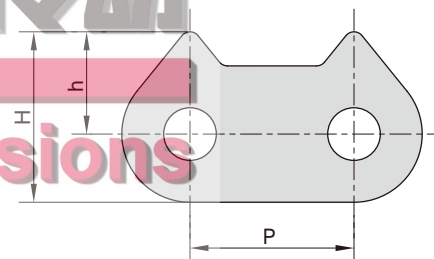
Chain No.	P	h	H
	mm	mm	mm
C20BF9	31.75	19.80	33.00



Chain No.	P	h	H
	mm	mm	mm
20BF8	31.75	19.80	33.00
20B-1310	31.75	19.80	33.00
20B-6STCF1	31.75	16.50	30.00
C24B-6STCF1	38.10	23.50	40.00

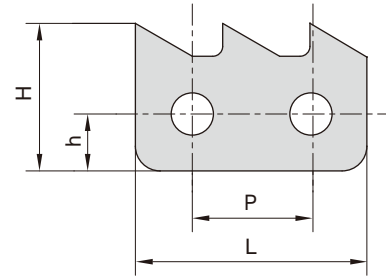


Chain No.	P	h	H
	mm	mm	mm
20B-1350	31.75	19.80	33.00

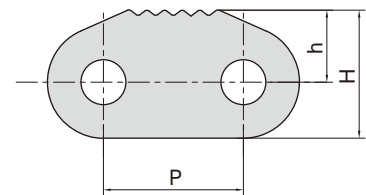


尖齿链
Sharp top chains

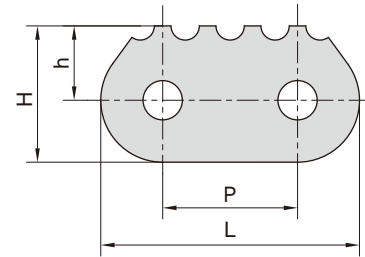
Chain n Nb.	P	L	h	H
	mm	mm	mm	mm
20AF1	31.75	57.20	14.75	35.84



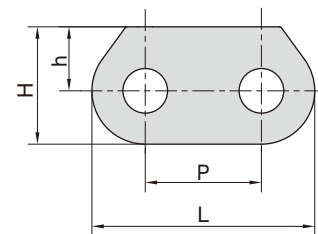
Chain n Nb.	P	h	H
	mm	mm	mm
20B-6STC	31.75	16.50	29.20



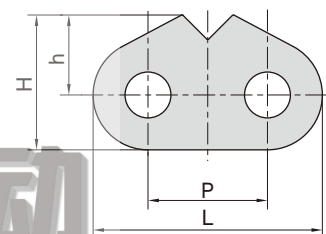
Chain n Nb.	P	L	h	H
	mm	mm	mm	mm
C20A-1-4STC	31.75	46.75	18.3	33.3
120-1802	38.10	73.10	21.0	38.5
24B-1809	38.10	73.10	21.0	38.5



24B-1805

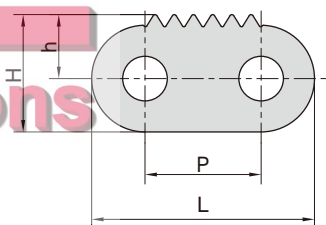


24B-1807



Chain n Nb.	P	L	h	H
	mm	mm	mm	mm
24B-1805	38.10	73.10	21.0	38.5
24B-1807	38.10	73.10	25.5	43.0
C24B-1820	38.10	73.10	21.0	38.5

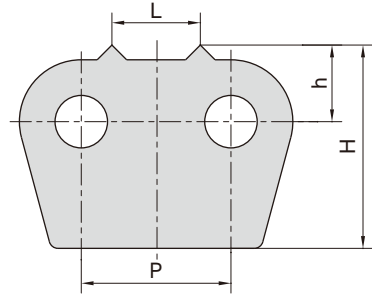
C24B-1820



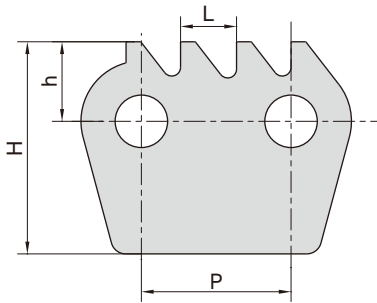
ChinaTransmissions

尖齿链
Sharp top chains

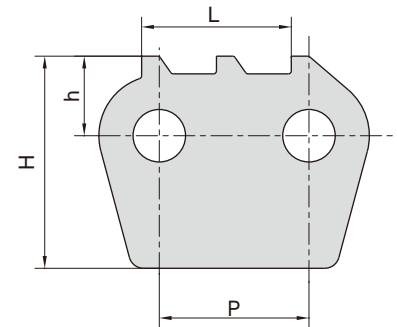
Chai n Nb.	P	h	H	L
	mm	mm	mm	mm
32BF4	50.80	26.00	70.00	30.00



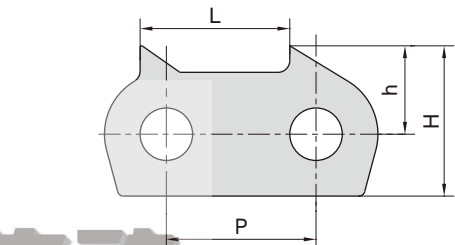
Chai n Nb.	P	h	H	L
	mm	mm	mm	mm
32B-1875	50.80	27.00	72.00	19.00
32BF20-1875	50.80	30.00	74.00	13.50



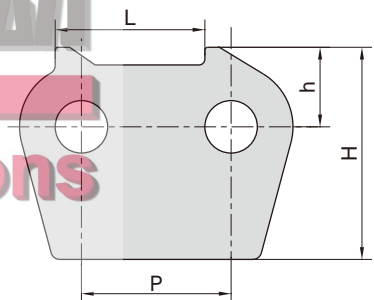
Chai n Nb.	P	h	H	L
	mm	mm	mm	mm
32B-1876	50.80	27.00	72.00	50.80



Chai n Nb.	P	h	H	L
	mm	mm	mm	mm
32B-1877	50.80	30.00	51.00	50.80

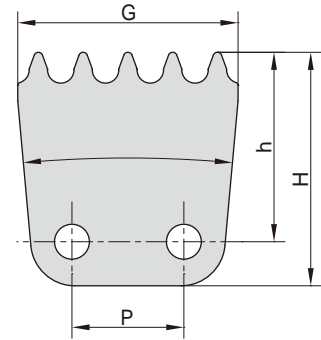


Chai n Nb.	P	h	H	L
	mm	mm	mm	mm
32B-1878	50.80	27.00	72.00	50.80

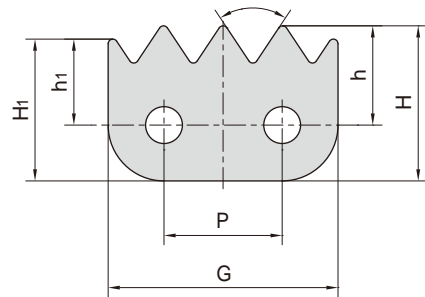


尖齿链
Sharp top chains

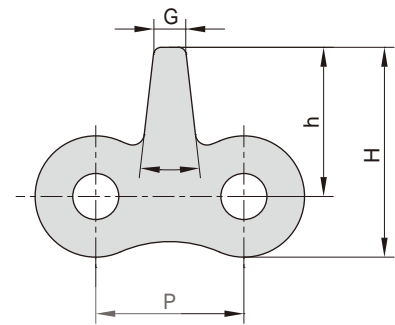
Chai n Nb.	P	G	h	H	
	mm	mm	mm	mm	
08A-5STCF7	12.700	25.00	21.50	26.50	10 °
08B-5STCF1	12.700	25.00	20.00	25.00	11 °
08B-5STCF5	12.700	25.20	21.00	26.00	11 °



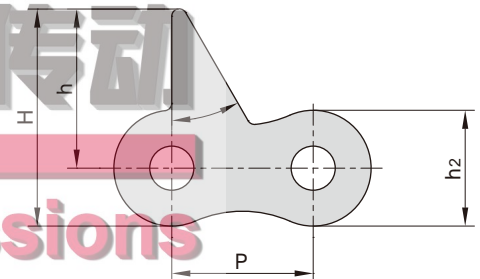
Chai n Nb.	P	G	h ₁	H ₁	h	H	
	mm	mm	mm	mm	mm	mm	
08A-5STCF1	12.7	24.7	9.25	15.25	10.65	16.65	67 °



Chai n Nb.	P	G	h	H	
	mm	mm	mm	mm	
12A-1STCF6	19.050	4.00	19.20	27.00	15 °

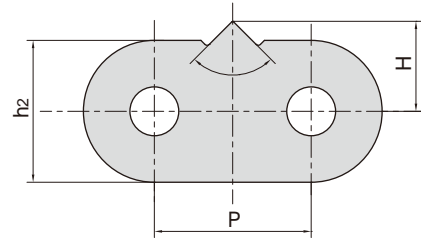


Chai n Nb.	P	h	h ₂	H	
	mm	mm	mm	mm	
12A-1STCF4	19.050	24.20	15.60	32.00	30 °

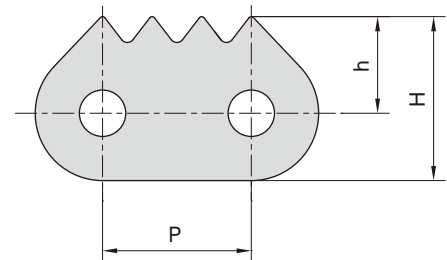


尖齿链
Sharp top chains

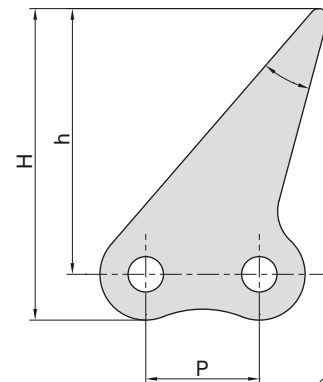
Chain Nb.	P	h ₂	H	
	mm	mm	mm	
80-STCF1	25.400	23.00	14.70	90 °



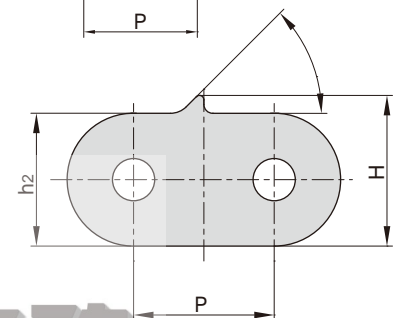
Chain Nb.	P	h	H
	mm	mm	mm
C16A-2-4STCF1	25.400	16.50	28.00
16B-2-1172F1	25.400	15.00	25.50
C20A-1-4STCF1	31.750	20.50	35.50



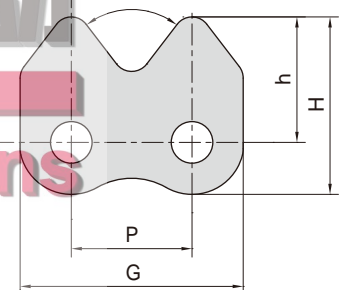
Chain Nb.	P	h	H	
	mm	mm	mm	
16A-1STCF3	25.40	62.00	72.25	26 °



Chain Nb.	P	h ₂	H	
	mm	mm	mm	
C20A-2-1STC	31.75	30.00	35.43	45 °

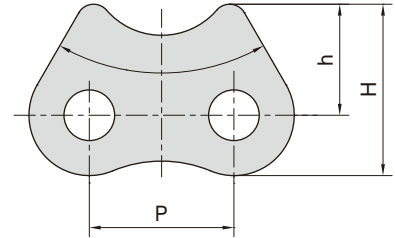


Chain Nb.	P	G	h	H	
	mm	mm	mm	mm	
06B-2STCF2	9.42	17.60	9.90	14.00	75 °

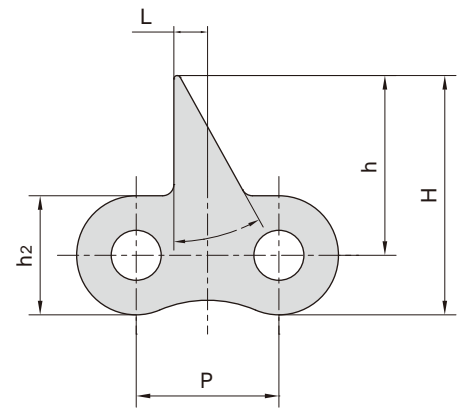


尖齿链
Sharp top chains

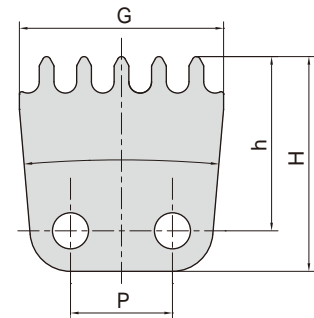
Chain No.	P	h	H	
	mm	mm	mm	
08B-2STCF1	12.70	9.80	15.10	60 °



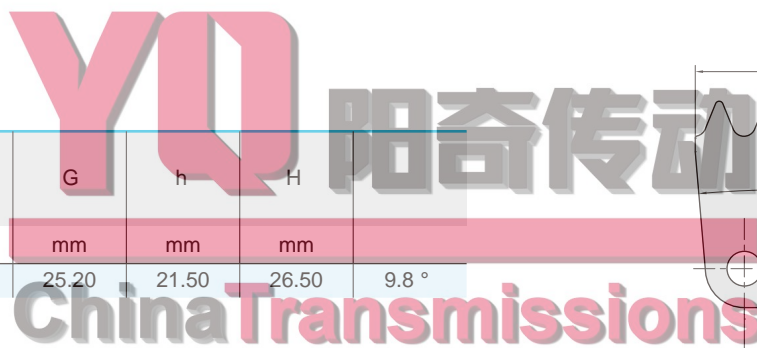
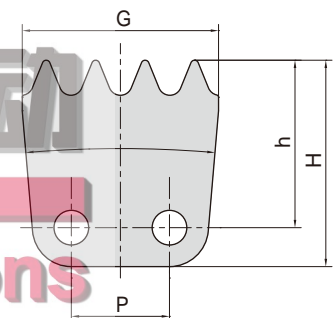
Chain No.	P	h ₂	h	H	L	
	mm	mm	mm	mm	mm	
08B-1STCF30	12.70	10.60	16.00	21.30	3.00	60 °



Chain No.	P	G	h	H	
	mm	mm	mm	mm	
08B-5STCF3	12.70	25.20	21.50	26.50	11 °
08B-5STCF4	12.70	25.20	21.50	26.50	10 °

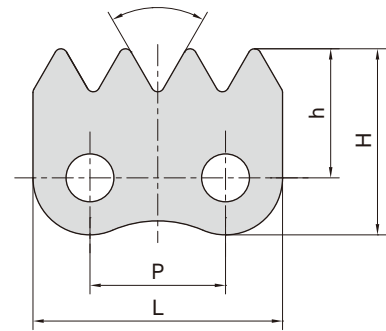


Chain No.	P	G	h	H	
	mm	mm	mm	mm	
08B-4STCF2	12.70	25.20	21.50	26.50	9.8 °

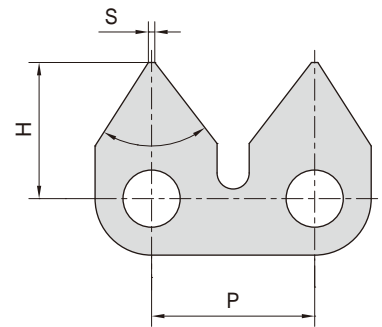


尖齿链
Sharp top chains

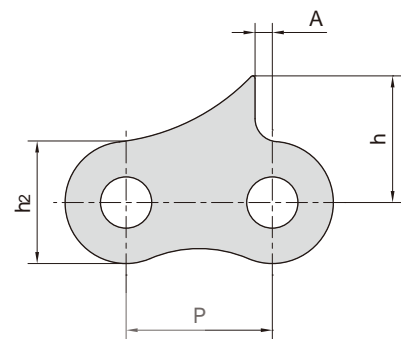
Chai n Nb.	P	L	h	H	
	mm	mm	mm	mm	
08B-4STCF1	12.70	23.30	12.00	17.30	60 °



Chai n Nb.	P	H	S	
	mm	mm	mm	
08B-2STCF2	12.70	10.60	0.50	30 °



Chai n Nb.	P	h2	h	A
	mm	mm	mm	mm
08BF161	12.70	10.60	11.00	1.50

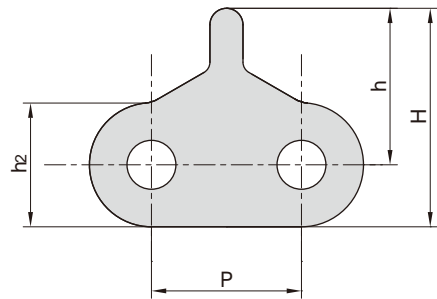


Chai n Nb.	P	h1	h2	h	H	
	mm	mm	mm	mm	mm	
C12B-1STCF3	19.050	8.00	14.30	12.00	20.00	24 °

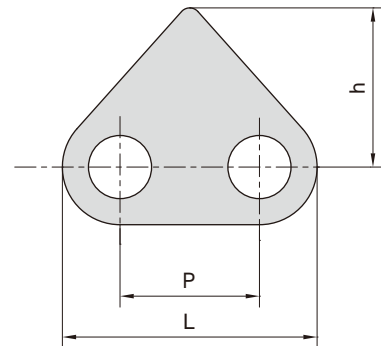


尖齿链
Sharp top chains

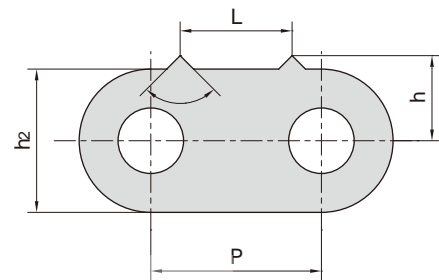
Chain No.	P	h ₂	h	H
	mm	mm	mm	mm
C16B-1STCF4	25.40	21.00	26.50	37.00



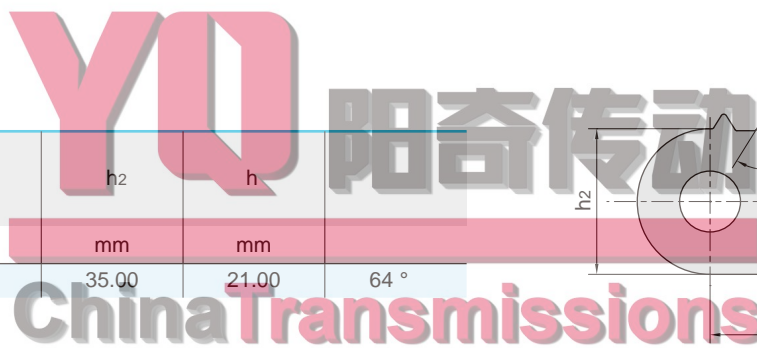
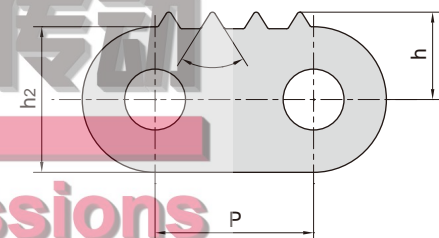
Chain No.	P	L	h
	mm	mm	mm
16B-1STCF3	25.400	46.00	30.00



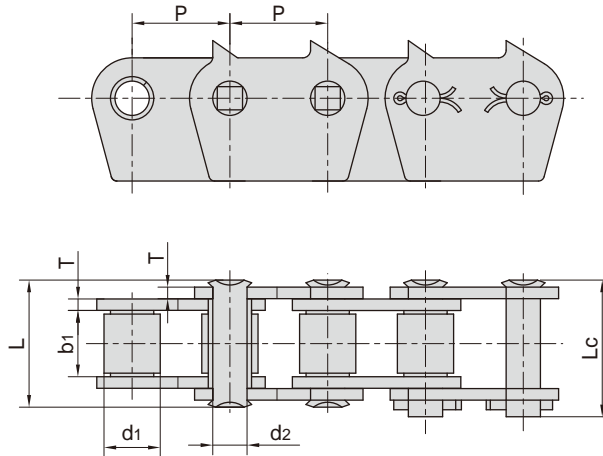
Chain No.	P	h ₂	h	L	
	mm	mm	mm	mm	
24B-2STC	38.10	32.00	19.00	25.00	90°



Chain No.	P	h ₂	h	
	mm	mm	mm	
C24BSA0F1-4STC	38.10	35.00	21.00	64°

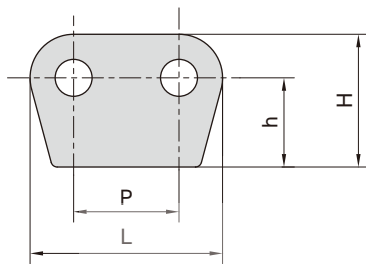


尖齿链 Sharp top chains

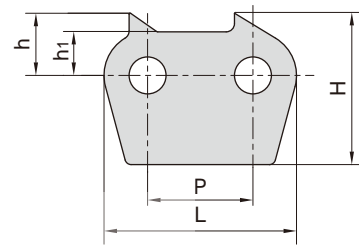


Chain No.	节距 Pitch	滚子直径 Roller diameter	内节内宽 Width between inner plates	销轴直径 Pin diameter	销轴长度 Pin length		链板厚度 Plate thickness	抗拉强度 Tensile strength	平均抗拉强度 Average tensile strength	每米长重 Weight per meter
	P	d1 max	b1 min	d2 max	L max	Lc max	T max	Q min	Q0	q
	mm	mm	mm	mm	mm	mm	mm	kN/lbf	kN	kg/m
32B-1-1872	50.8	29.21	33.0	17.81	66.0	71.0	6.0	250.0/56818	275.0	13.54

32B-1872

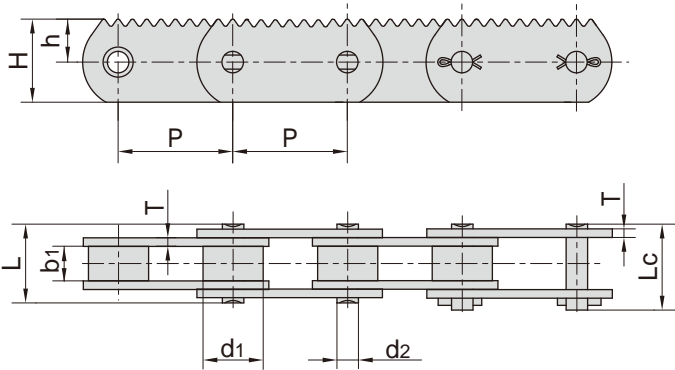


32B-1874
32B-1900F1
32BF15
C32B-1874F1



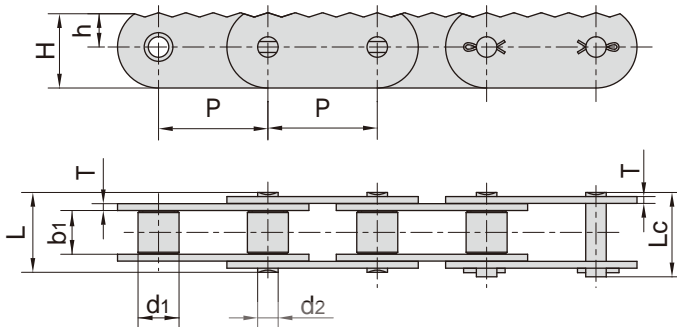
Chain No.	P	L	h1	h	H
	mm	mm	mm	mm	mm
32B-1872	50.8	92.8	-	43.0	64.0
32B-1874	50.8	92.8	21.0	30.0	73.0
32B-1900F1	50.8	92.8	21.0	30.0	75.0
32BF15	50.8	91.8	20.0	45.0	75.0
C32B-1874F1	50.8	92.8	21.0	40.0	83.0

尖齿链 Sharp top chains



Chain n. No.	P	h	H
	mm	mm	mm
P80	80.0	30	58

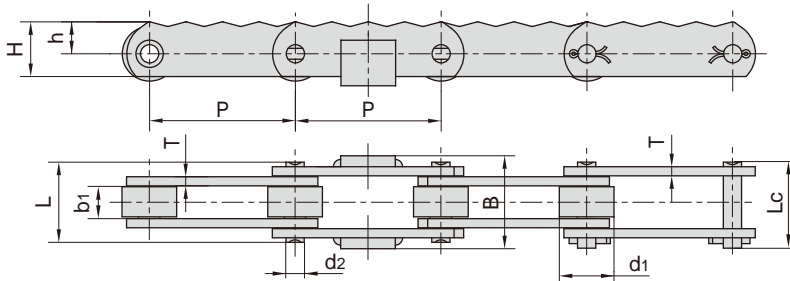
Chain n. No.	节距 Pitch	滚子直径 Roller diameter	内节内宽 Width between inner plates	销轴直径 Pin diameter	销轴长度 Pin length		链板厚度 Plate thickness	抗拉强度 Tensile strength	平均抗拉强度 Average tensile strength	每米长重 Weight per meter
	P	d1 max	b1 min	d2 max	L max	Lc max	T max	Q min	Q0	q
	mm	mm	mm	mm	mm	mm	mm	kN/lbf	kN	kg/m
P80	80.0	42.0	24.0	15.0	55.0	60.0	6.0	250.0/56818	275.0	11.3



Chain n. No.	P	h	H
	mm	mm	mm
P80F3	80.0	25	55
P80F32	80.0	20	40

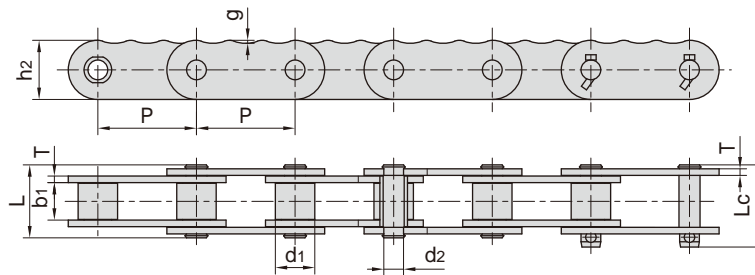
Chain n. No.	节距 Pitch	滚子直径 Roller diameter	内节内宽 Width between inner plates	销轴直径 Pin diameter	销轴长度 Pin length		链板厚度 Plate thickness	抗拉强度 Tensile strength	平均抗拉强度 Average tensile strength	每米长重 Weight per meter
	P	d1 max	b1 min	d2 max	L max	Lc max	T max	Q min	Q0	q
	mm	mm	mm	mm	mm	mm	mm	kN/lbf	kN	kg/m
P80F3	80.0	30.0	32.0	15.0	58.6	62.6	5.0	98.0/20909	107.0	9.12
P80F32	80.0	30.0	30.0	15.0	63.0	72.0	6.0	112.0/25194	123.2	7.28

尖齿链 Sharp top chains

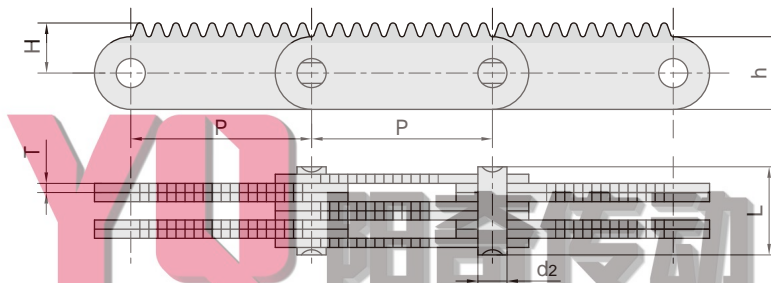


Chain n. No.	P	h	H	B
	mm	mm	mm	mm
P80F2	80.0	17.5	30.0	51

Chain n. No.	节距	滚子直径	内节内宽	销轴直径	销轴长度		链板厚度	抗拉强度	平均抗拉强度	每米长重
	Pitch	Roller diameter	Width between inner plates	Pin diameter	Pin length		Plate thickness	Tensile strength	Average tensile strength	Weight per meter
	P	d1 max	b1 min	d2 max	L max	Lc max	T max	Q min	Q0	q
	mm	mm	mm	mm	mm	mm	mm	kN/lbf	kN	kg/m
P80F2	80.0	30.0	18.0	10.0	44.6	48.3	5.0	61.74/14030	70.0	4.15

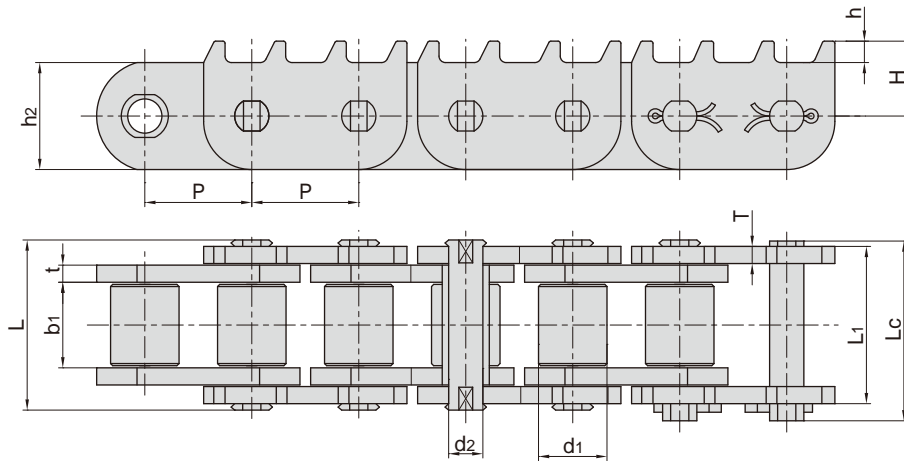


Chain n. No.	节距	滚子直径	内节内宽	销轴直径	销轴长度		链板尺寸		链板厚度	抗拉强度
	Pitch	Roller diameter	Width between inner plates	Pin diameter	Pin length		Plate dimension		Plate thickness	Tensile strength
	P	d1 max	b1 min	d2 max	L max	Lc max	h2 max	g	T max	Q min
	mm	mm	mm	mm	mm	mm	mm	mm	mm	kN/lbf
P150F77	150.0	60.0	57.0	30.0	114.0	128.0	90.0	4.6	10.0	666.4/149812



Chain n. No.	节距	链板组合	销轴直径	销轴长度	链板尺寸		孔中心到齿尖距离	抗拉强度	每米长重
	Pitch	Plate lacing	Pin diameter	Pin length	Plate dimension		Distance from hole center to tooth	Tensile strength	Weight per meter
	P	d2 max	L max	h max	T max	H max	Q min	q	
	mm		mm	mm	mm	mm	mm	kN/lbf	kg/m
F3144F1	31.60	4 × 4	5.08	16.1	12.7	1.6	8.75	40.0/8992	0.942
F2544F1	25.28	4 × 4	5.08	16.1	12.7	1.6	8.75	40.0/8992	0.987

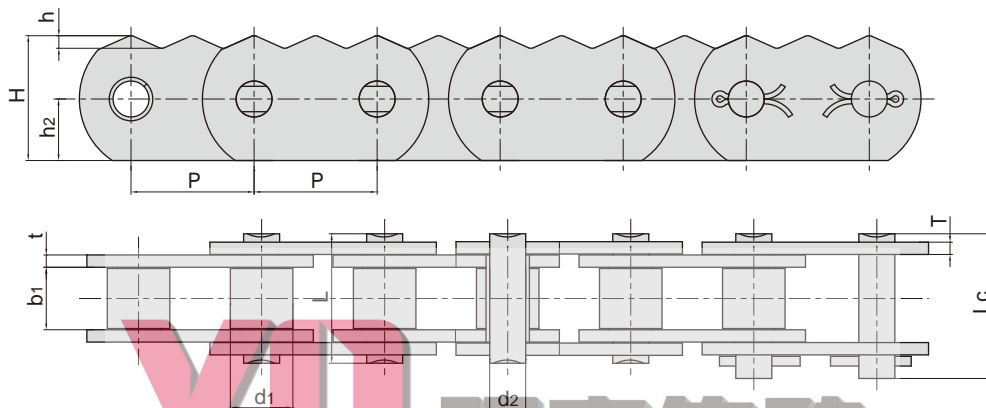
尖齿链 Sharp top chains



Chain No.	节距 Pitch	滚子直径 Roller diameter	内节内宽 Width between inner plates	销轴直径 Pin diameter	销轴长度 Pin length			链板尺寸 Plate dimension				抗拉强度 Tensile strength	每米长重 Weight per meter
	P	d1 max	b1 min	d2 max	L max	Lc max	L1 max	h2 max	t/T max	h	H	Q min	q
	mm	mm	mm	mm	mm	mm	mm	mm	mm	mm	mm	kN/lbf	kg/m
P50F19	50.0	32.0	40.0	16.0	79.5	84.0	-	50.0	8.0	10.0	35.0	260.0/58448	16.40
*P50.8F54-B	50.8	32.0	42.0	16.0	-	-	75.2	51.0	8.0	8.5	34.0	107.8/24233	16.90

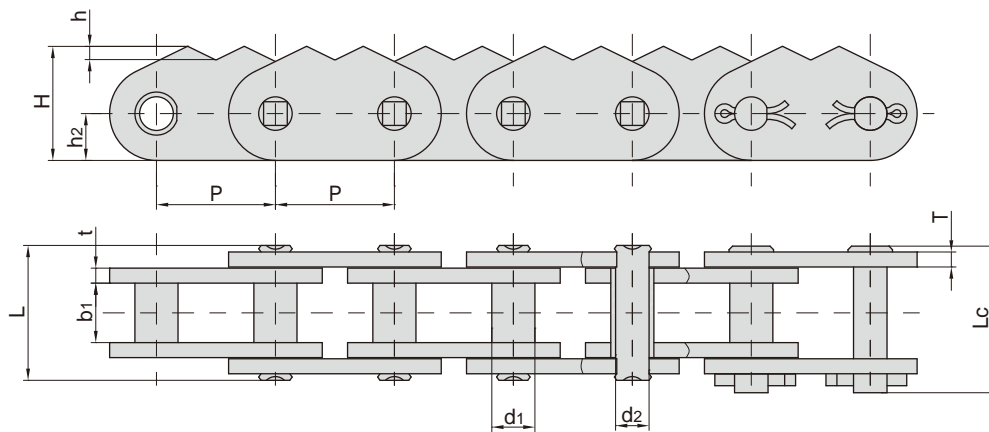
*套筒链：表中滚子直径d1为套筒直径

*Bush chain: d1 in the table indicates the external diameter of the bush.

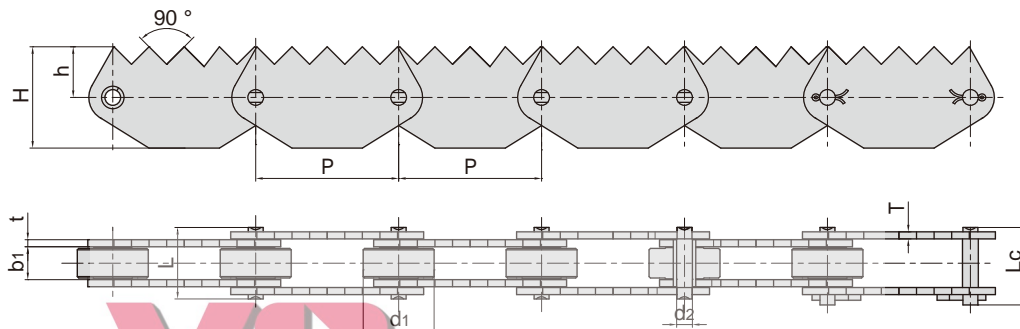


Chain No.	节距 Pitch	滚子直径 Roller diameter	内节内宽 Width between inner plates	销轴直径 Pin diameter	销轴长度 Pin length			链板尺寸 Plate dimension				抗拉强度 Tensile strength	每米长重 Weight per meter
	P	d1 max	b1 min	d2 max	L max	Lc max	h2 max	t/T max	h	H	Q min	q	
	mm	mm	mm	mm	mm	mm	mm	mm	mm	mm	kN/lbf	kg/m	
P50-3STC	50.0	25.4	25.40	14.63	53.4	57.8	25.0	5.0	5.0	50.0	120.0/26976	8.55	
P50F49-3STC	50.0	25.4	25.40	14.63	53.4	57.8	25.0	5.0	5.1	50.7	120.0/26976	8.60	

尖齿链 Sharp top chains

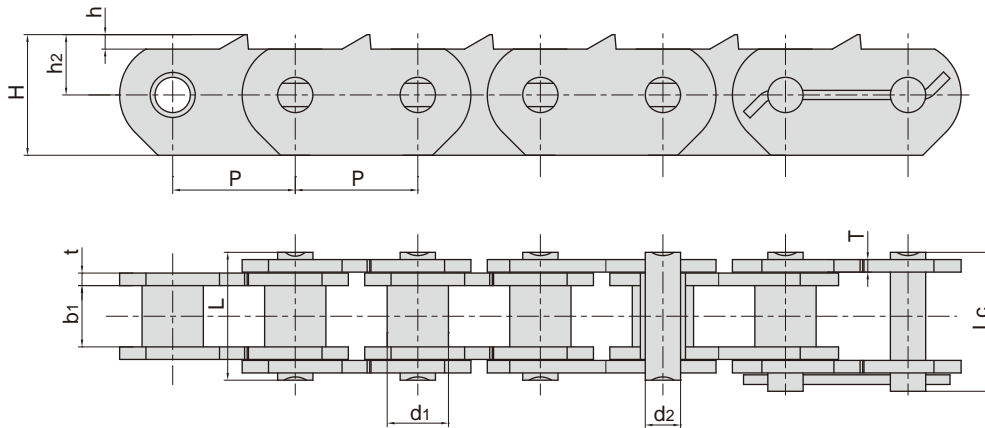


Chain n Nb.	节距 Pitch	滚子直径 Roller diameter	内节内宽 Width between inner plates	销轴直径 Pin diameter	销轴长度 Pin length		链板尺寸 Plate dimension				抗拉强度 Tensile strength	每米长重 Weight per meter
	P	d1 max	b1 min	d2 max	L max	Lc max	h2 max	t/T max	h	H	Q min	q
	mm	mm	mm	mm	mm	mm	mm	mm	mm	mm	kN/lbf	kg/m
P50.8F60-2STC-B	50.8	18.4	25.40	14.27	58.2	63.4	20.0	6.4	5.7	48.7	200.0/44960	8.30

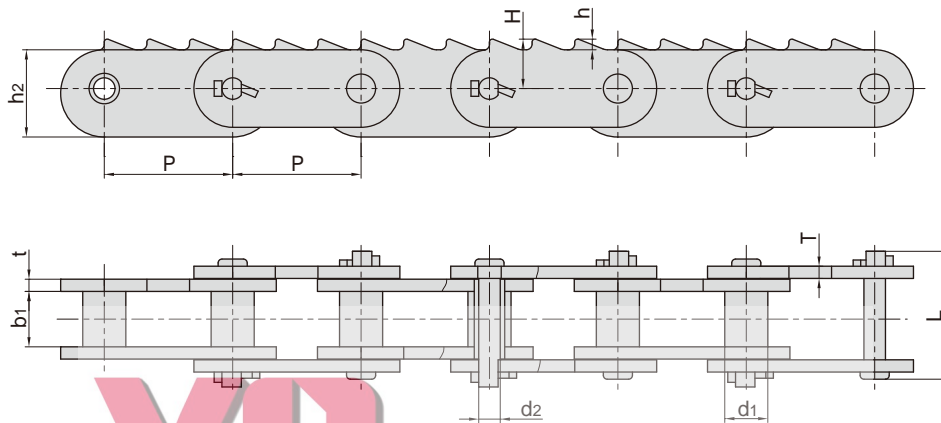


Chain n Nb.	节距 Pitch	滚子直径 Roller diameter	内节内宽 Width between inner plates	销轴直径 Pin diameter	销轴长度 Pin length		链板尺寸 Plate dimension				抗拉强度 Tensile strength	每米长重 Weight per meter
	P	d1 max	b1 min	d2 max	L max	Lc max	t/T max	h	H	Q min	q	
	mm	mm	mm	mm	mm	mm	mm	mm	mm	kN/lbf	kg/m	
P50.8F20	50.8	25.0	11.70	5.60	25.4	28.0	2.5	18.0	36.0	24.0/5395	2.25	

尖齿链 Sharp top chains

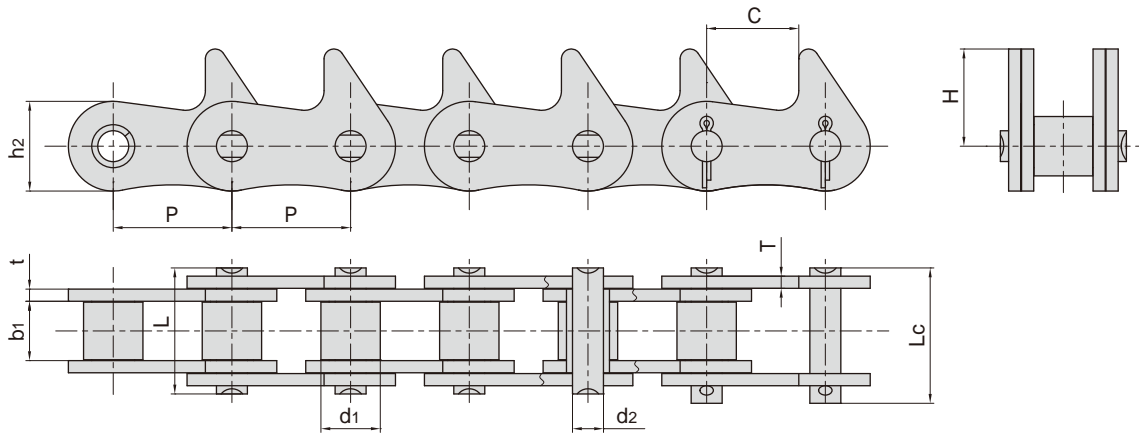


Chain n Nb.	节距	滚子直径	内节内宽	销轴直径	销轴长度		链板尺寸				抗拉强度	每米长重
	Pitch	Roller diameter	Width between inner plates	Pin diameter	Pin length		Plate dimension				Tensile strength	Weight per meter
	P	d1 max	b1 min	d2 max	L max	Lc max	t/T max	h	h2	H	Q min	q
P50 8F11	50.8	25.0	25.40	14.63	52.8	57.1	5.2	6.0	25.0	50.0	145.0/32596	8.23

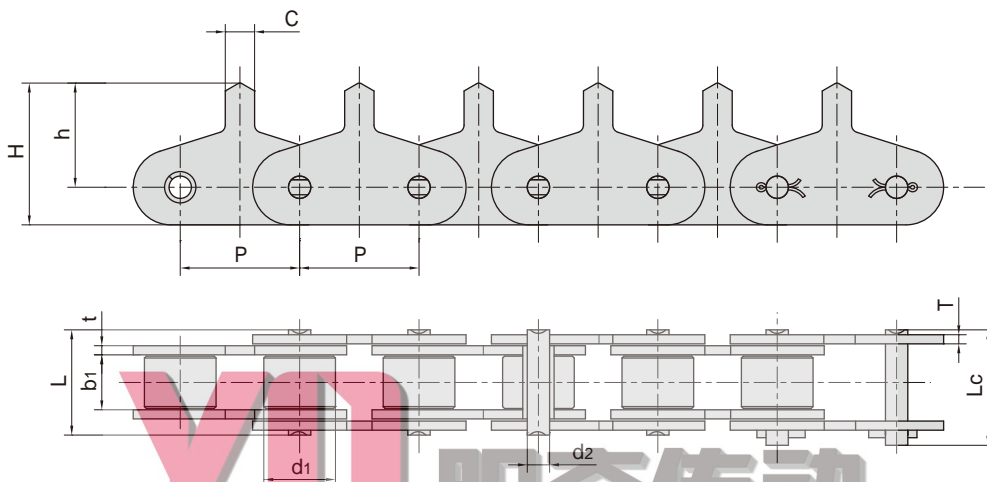


Chain No.	节距	滚子直径	内节内宽	销轴直径	销轴长度		链板尺寸				抗拉强度	每米长重
	Pitch	Roller diameter	Width between inner plates	Pin diameter	Pin length		Plate dimension				Tensile strength	Weight per meter
	P	d1 max	b1 min	d2 max	L max	Lc max	t/T max	h2	h	H	Q min	q
P66.26F3-3STC	66.26	22.22	28.60	11.10	42.2	42.2	6.4	45.0	5.5	25.5	110.0/24728	8.02

尖齿链 Sharp top chains

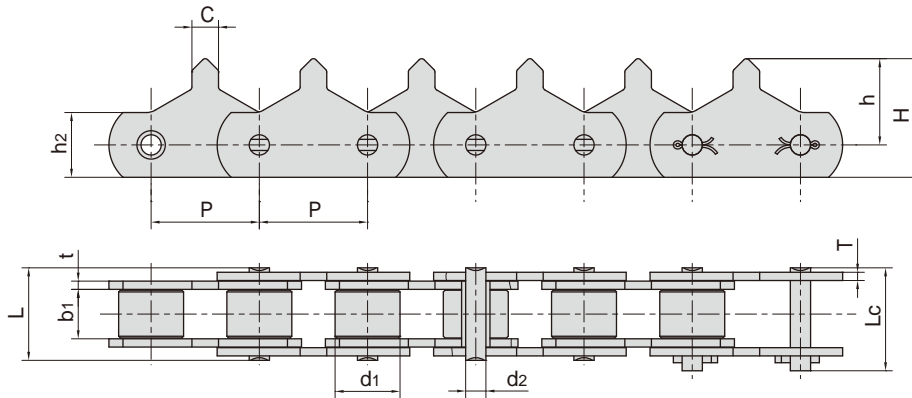


Chain No.	节距 Pitch	滚子直径 Roller diameter	内节内宽 Width between inner plates	销轴直径 Pin diameter	销轴长度 Pin length		链板尺寸 Plate dimension				抗拉强度 Tensile strength	每米长重 Weight per meter
	P	d1 max	b1 min	d2 max	L max	Lc max	t/T max	h2	C	H	Q min	q
	mm	mm	mm	mm	mm	mm	mm	mm	mm	mm	kN/lbf	kg/m
P31.75F18-1STC	31.75	15.88	15.88	11.1	34.0	36.5	3.25	24.0	24.65	26.0	60.0/13488	3.22
P38.1F29	38.10	15.88	15.88	11.1	34.0	36.5	3.25	24.0	24.65	26.0	60.0/13489	2.56

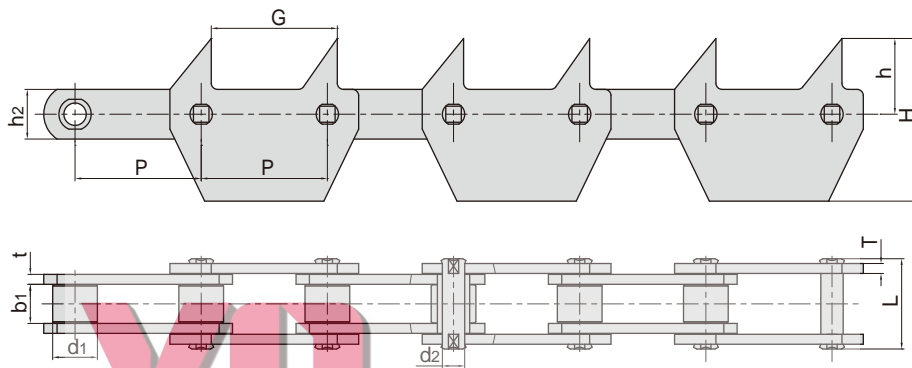


Chain No.	节距 Pitch	滚子直径 Roller diameter	内节内宽 Width between inner plates	销轴直径 Pin diameter	销轴长度 Pin length		链板尺寸 Plate dimension				抗拉强度 Tensile strength	每米长重 Weight per meter
	P	d1 max	b1 min	d2 max	L max	Lc max	t/T max	C	h	H	Q min	q
	mm	mm	mm	mm	mm	mm	mm	mm	mm	mm	kN/lbf	kg/m
P31.75F2	31.75	19.05	14.50	5.94	27.5	30.2	2.42	7.8	27.7	37.7	31.8/7149	15.89

尖齿链 Sharp top chains

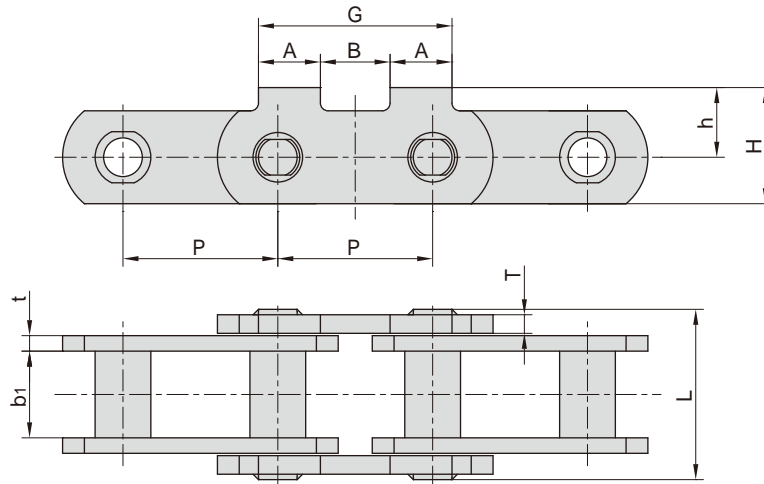


Chain No.	节距 Pitch	滚子直径 Roller diameter	内节内宽 Width between inner plates	销轴直径 Pin diameter	销轴长度 Pin length		链板尺寸 Plate dimension					抗拉强度 Tensile strength	每米长重 Weight per meter
	P	d1 max	b1 min	d2 max	L max	Lc max	t/T max	h2	C	h	H	Q min	q
	mm	mm	mm	mm	mm	mm	mm	mm	mm	mm	mm	kN/lbf	kg/m
P31.75F14-1STC	31.75	19.05	5.94	5.94	27.5	30.2	2.42	19.0	7.8	25.3	34.8	31.80/7149	2.46
P31.75F3	31.75	12.07	11.68	5.74	27.2	30.0	3.00	18.0	10.3	25.3	34.3	30.00/6744	2.46

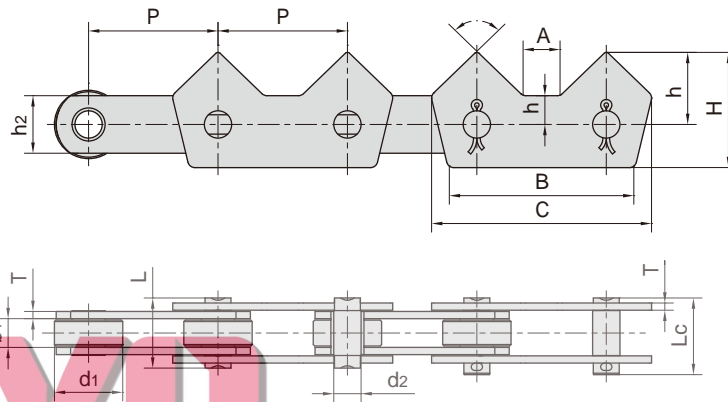


Chain No.	节距 Pitch	滚子直径 Roller diameter	内节内宽 Width between inner plates	销轴直径 Pin diameter	销轴长度 Pin length		链板尺寸 Plate dimension					抗拉强度 Tensile strength	每米长重 Weight per meter
	P	d1 max	b1 min	d2 max	L max	t/T max	h2	G	h	H	Q min	q	
	mm	mm	mm	mm	mm	mm	mm	mm	mm	mm	kN/lbf	kg/m	
P101.6F159-2STC	101.6	36.00	31.50	18.00	72.7	8.0	40.0	101.5	61.0	131.0	195.0/43836	14.42	

尖齿链 Sharp top chains



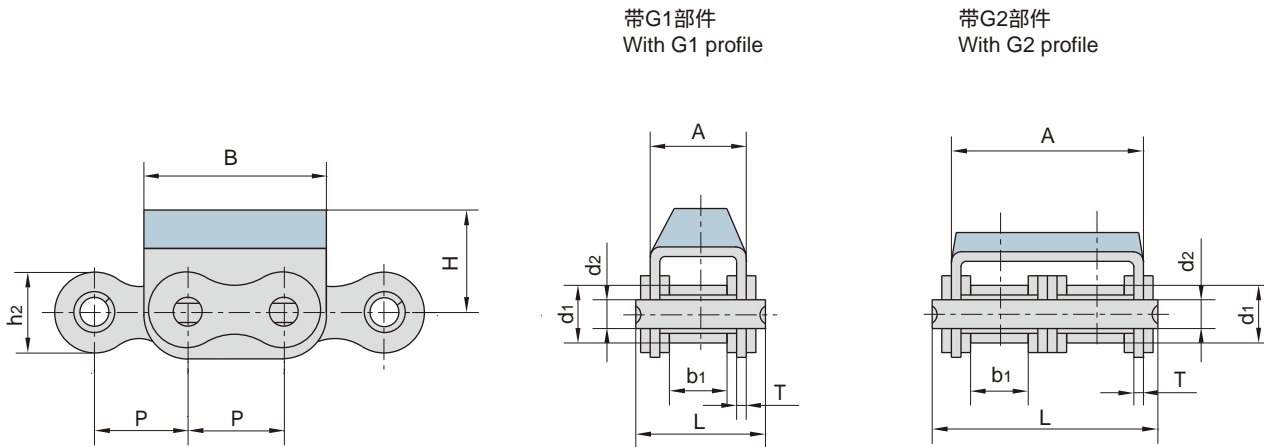
Chain n. Nb.	P	b ₁	t/T	L	h	H	G	A	B
	mm	mm	mm	mm	mm	mm	mm	mm	mm
P100F314	100.00	55.00	10.0/12.0	110.00	45.00	75.00	125.00	40.00	45.00



Chain n. Nb.	节距 Pitch	滚子直径 Roller diameter	内节内宽 Width between inner plates	销轴直径 Pin diameter	销轴长度 Pin length		内链板高度 Inner plate depth	链板厚度 Plate thickness	附板尺寸 Attachment dimension			抗拉强度 Tensile strength	每米长重 Weight per meter
	P	d ₁ max	b ₁ min	d ₂ max	L max	L _c max	h ₂ max	T	h	H	92°	Q min	q
	mm	mm	mm	mm	mm	mm	mm	mm	mm	mm		kN/lbf	kg/m
P90F12-2STC	90.00	47.50	19.00	19.00	48.8	53.3	40.0	5.00	49.0	79.0	92°	100.0/22480	9.12

橡胶附板链

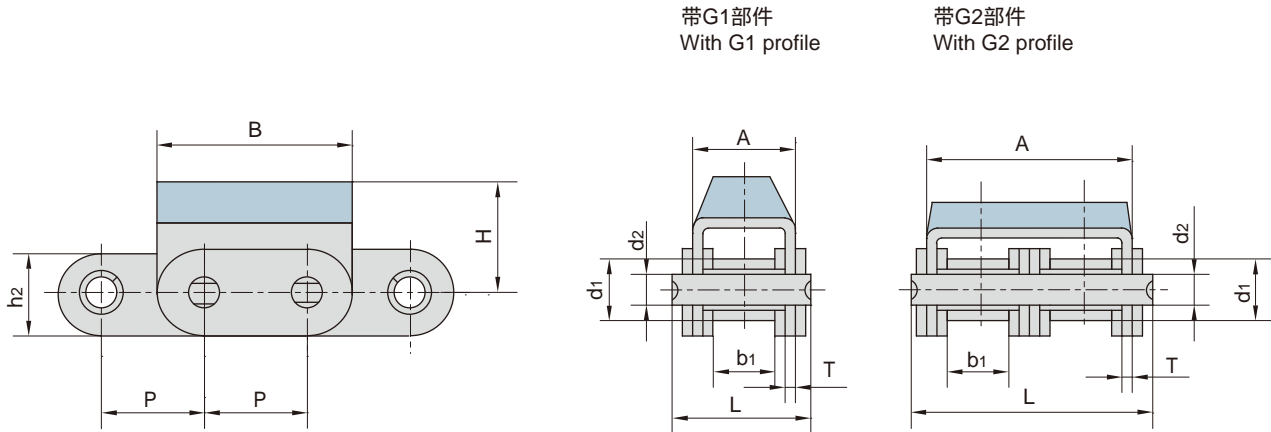
Roller chains with vulcanised elastomer profiles



Chain No.	节距	滚子直径	内节内宽	销轴直径	销轴长度	链板、附板尺寸					抗拉强度	每米长重
	Pitch	Roller diameter	Width between inner plates	Pin diameter	Pin length	Plate and attachment dimension					Tensile strength	Weight per meter
	P	d1 max	b1 min	d2 max	L max	h2 max	A	B	H	T	Q min	q
mm	mm	mm	mm	mm	mm	mm	mm	mm	mm	mm	kN/lbf	kg/m
08B-G1	12.700	8.51	7.75	4.45	20.0	11.80	14.60	24.20	12.3	1.60	18.0/4091	1.19
08B-G2	12.700	8.51	7.75	4.45	34.3	11.80	28.40	24.20	12.3	1.50	32.0/7273	2.07
10A-G1	15.875	10.16	9.40	5.08	24.5	15.09	17.50	31.00	17.0	1.60	21.8/4953	1.70
10B-G1	15.875	10.16	9.65	5.08	23.2	14.70	16.80	30.00	17.0	1.60	19.0/4318	1.62
10B-G2	15.875	10.16	9.65	5.08	39.7	14.70	33.30	30.00	17.0	1.50	44.5/10004	2.56
10B-G2F5	15.875	10.16	9.65	5.08	39.7	14.70	33.30	30.00	25.3	1.50	44.5/10004	2.58
12B-G1	19.050	12.07	11.68	5.72	25.7	16.00	19.60	36.00	21.0	1.85	29.0/6591	2.01
12B-G2	19.050	12.07	11.68	5.72	45.3	16.00	39.10	36.00	16.0	1.85	57.8/13136	3.21
12A-G1	19.050	11.91	12.57	5.94	29.9	18.00	21.40	37.05	21.0	1.85	31.8/7153	2.55
12A-G2	19.050	11.91	12.57	5.94	52.9	18.00	44.50	37.05	21.0	1.85	62.3/14005	4.25
12AF1-G1	19.050	11.91	17.00	5.94	34.0	18.00	26.00	36.00	16.0	1.85	31.8/7153	2.62
16A-G1	25.400	15.88	15.75	7.92	37.2	24.00	27.50	46.00	20.0	2.42	42.0/9545	3.97
16A-G2	25.400	15.88	15.75	7.92	68.0	24.00	57.20	46.00	20.0	2.42	84/18896	7.27
16B-G1F12	25.400	15.88	17.02	8.28	39.7	21.00	29.05	49.00	21.4	1.60	58.0/13047	3.95
20A-G1	31.750	19.05	18.90	9.53	46.8	30.00	34.00	57.60	28.0	3.10	86.7/19503	6.15
20B-G1	31.750	19.05	19.56	10.19	48.0	26.40	36.00	57.00	27.0	3.50	85.0/19318	6.19
24B-G1	38.100	25.40	25.40	14.63	61.6	33.20	47.00	72.60	34.0	4.50	160.0/36363	11.25

橡胶附板链

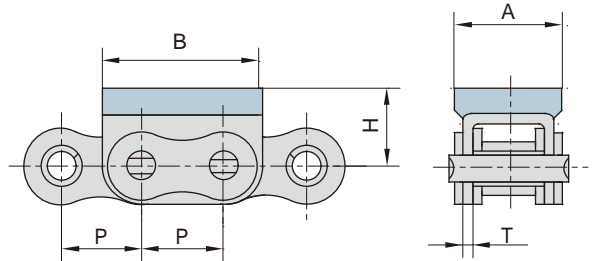
Roller chains with vulcanised elastomer profiles



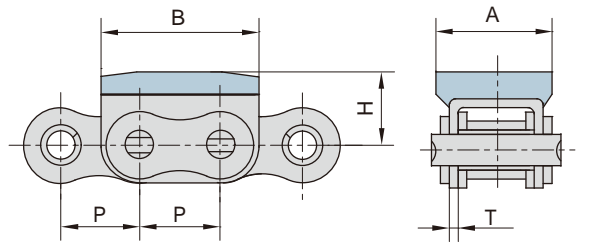
Chain No.	节距	滚子直径	内节内宽	销轴直径	销轴长度	链板、附板尺寸					抗拉强度	每米长重
	Pitch	Roller diameter	Width between inner plates	Pin diameter	Pin length	Plate and attachment dimension					Tensile strength	Weight per meter
	P	d1 max	b1 min	d2 max	L max	h2 max	A	B	H	T	Q min	q
	mm	mm	mm	mm	mm	mm	mm	mm	mm	mm	kN/lbf	kg/m
C08B-G1	12.700	8.51	7.75	4.45	20.0	11.80	14.60	24.20	12.3	1.60	18.0/4091	1.30
C08B-G2	12.700	8.51	7.75	4.45	34.3	11.80	28.40	24.20	12.3	1.50	32.0/7273	2.29
C10B-G1	15.875	10.16	9.65	5.08	23.2	14.70	16.80	30.00	17.0	1.60	19.0/4318	1.75
C10B-G1F1	15.875	10.16	9.65	5.08	23.2	14.70	16.80	30.00	13.0	1.60	19.0/4318	1.70
C50-G2F1	15.875	10.16	9.40	5.08	42.5	15.09	35.60	27.00	17.0	1.60	43.6/9906	2.14
C50-G2	15.875	10.16	9.40	5.08	42.5	15.09	35.60	31.00	17.0	1.60	43.6/9906	2.14
C10B-G2	15.875	10.16	9.65	5.08	39.7	14.70	33.30	30.00	17.0	1.50	44.5/10114	2.95
C12B-G1	19.050	12.07	11.68	5.72	25.7	16.00	19.60	36.00	21.0	1.85	29.0/6591	2.15
C12B-G2	19.050	12.07	11.68	5.72	45.3	16.00	39.10	36.00	16.0	1.85	57.8/13136	3.48
C16A-G1	25.400	15.88	15.75	7.92	37.2	24.00	27.50	46.00	20.0	2.42	42.0/9545	4.34
C16A-G2	25.400	15.88	15.75	7.92	68.0	24.00	57.20	46.00	20.0	2.42	84.0/18883	8.20
C20A-G1	31.750	19.05	18.90	9.53	46.8	30.00	34.00	61.75	28.0	3.10	86.7/19490	9.10
C20B-G1	31.750	19.05	19.56	10.19	48.0	26.40	36.00	57.00	27.0	3.50	85.0/19318	6.65
C20B-G2	31.750	19.05	29.56	10.19	85.0	26.40	73.00	58.15	27.0	3.50	170.0/38217	10.40
C24B-G1	38.100	25.40	25.40	14.63	61.6	33.20	47.00	72.60	34.0	4.50	160.0/36363	11.63

橡胶附板链 Roller chains with vulcanised elastomer profiles

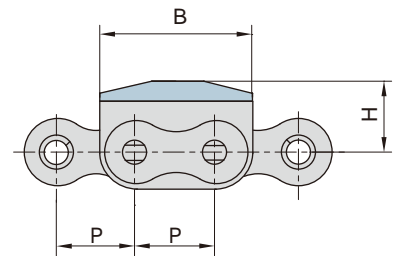
Chain No.	P	A	B	H	T
	mm	mm	mm	mm	mm
08B-G1F1	12.700	18.0	24.2	12.3	1.6
10B-G1F2	15.875	25.0	30.0	14.0	1.6
10B-G1F3	15.875	20.0	30.0	18.0	1.6
10B-G1F4	15.875	18.6	30.0	11.4	1.6



Chain No.	P	A	B	H	T
	mm	mm	mm	mm	mm
08B-G1F4	12.7	18.0	24.2	12.3	1.6

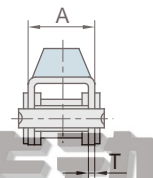


Chain No.	P	A	B	H	T	L ₃
	mm	mm	mm	mm	mm	mm
08B-G2F1	12.70	28.40	24.2	12.0	1.50	-
08B-G1F14-DD3	12.70	14.60	24.2	16.0	1.60	6.3
08B-G2F15	12.70	28.40	24.2	12.8	1.50	-
08B-G2F22	12.70	28.40	24.2	12.0	1.50	-
16A-G2F3	25.40	27.50	49.0	21.4	2.42	-
16B-G1	25.40	29.05	49.0	21.4	1.60	-
16B-G1F11-DD3	25.40	29.05	49.0	21.4	1.60	4.8
C16B-G1	25.40	29.05	49.0	21.4	1.60	-
C16B-G2	25.40	60.93	49.0	21.4	1.60	-
20B-G1F2	31.75	36.00	57.0	35.0	3.50	-
24B-G1F1	38.10	47.00	72.6	34.0	4.50	-
24B-G1F7	38.10	47.00	72.6	34.0	4.50	-

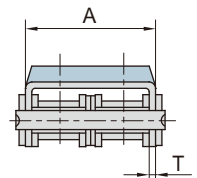


C16B-G1 20B-G1F2
16B-G1 24B-G1F1
24B-G1F7

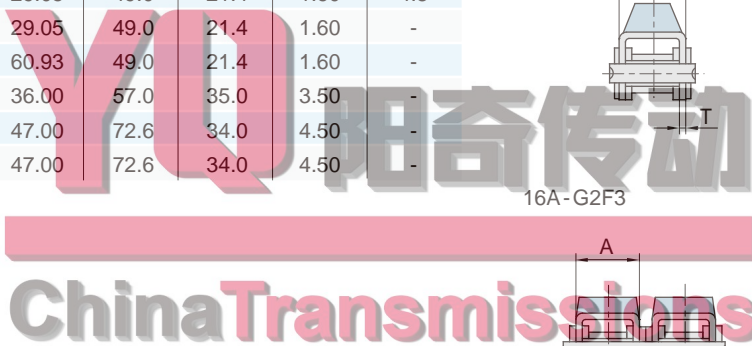
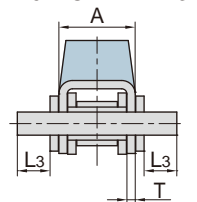
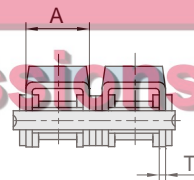
C16B-G2
08B-G2F1
08B-G2F15
08B-G2F22



16A-G2F3

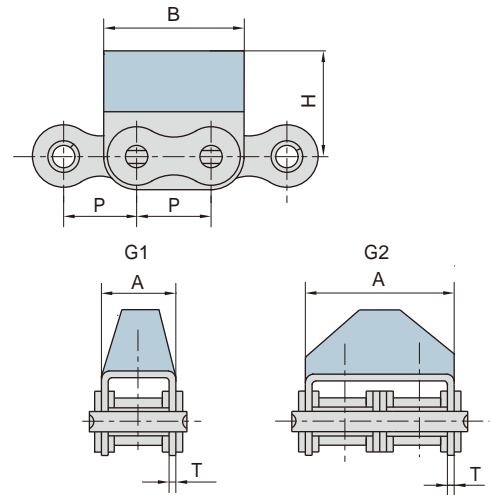


08B-G1F14-DD3
16B-G1F11-DD3

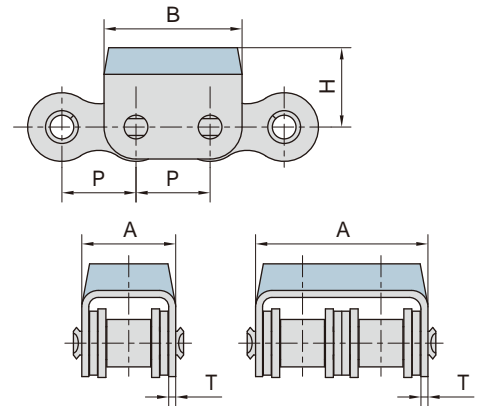


橡胶附板链 Roller chains with vulcanised elastomer profiles

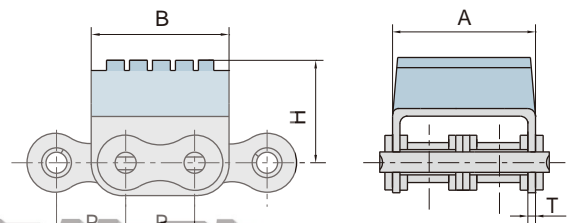
Chain Nb.	P	A	B	H	T
	mm	mm	mm	mm	mm
08B-G1F17	12.700	14.60	24.2	20.2	1.60
10B-G1F5	15.875	16.80	30.0	25.3	1.70
10A-G1F6	15.875	16.80	30.0	14.0	1.60
12B-G1F11	19.050	19.60	36.0	17.0	1.85
12A-G1F12	19.050	39.10	36.0	21.0	1.85
12B-G2F10	19.050	39.10	36.0	28.0	1.85
12A-G2F12	19.050	39.10	36.0	21.0	1.85
12B-G2F5	19.050	39.10	36.0	28.0	1.85
16A-G1F1	25.400	27.50	46.0	21.4	2.42
16B-G1F18	25.400	29.05	49.0	32.0	1.60
20B-G1F1	31.750	36.00	57.0	35.0	3.50



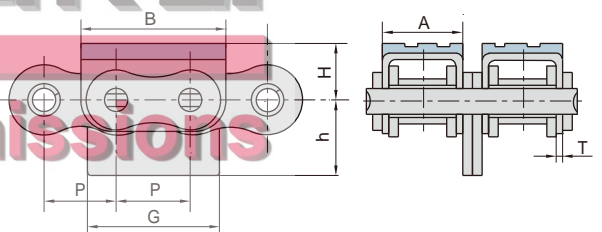
Chain Nb.	P	A	B	H	T
	mm	mm	mm	mm	mm
10B-G2F1	15.875	33.3	30.0	17.0	1.5
24A-G1F1	38.100	55.5	70.0	46.5	4.8



Chain Nb.	P	A	B	H	T
	mm	mm	mm	mm	mm
12B-G2F6	19.05	39.1	37.3	28.2	1.85



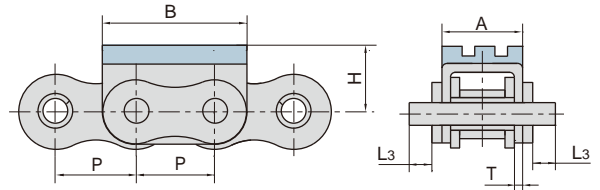
Chain Nb.	P	A	B	G	h	H	T
	mm	mm	mm	mm	mm	mm	mm
16A-G2F1	25.4	27.0	49.2	45.4	25.0	20.0	2.03



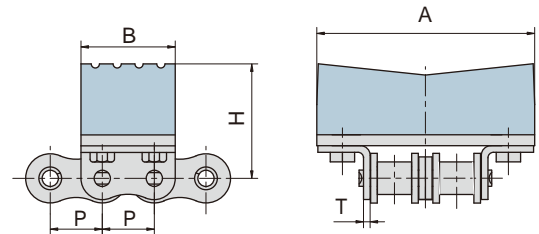
橡胶附板链

Roller chains with vulcanised elastomer profiles

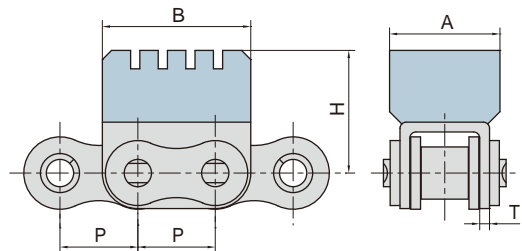
Chain No.	P	A	B	H	H ₁	T
	mm	mm	mm	mm	mm	mm
16A-G1F3	25.4	27.5	49.0	8.25	21.4	2.42



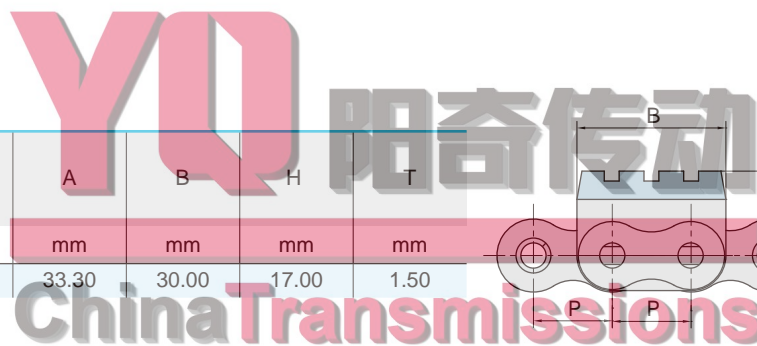
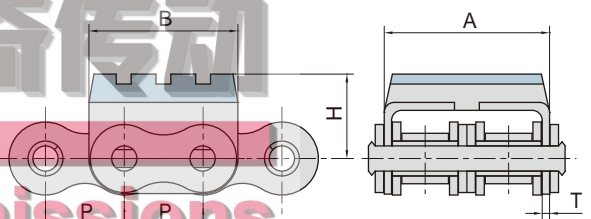
Chain No.	P	A	B	H	T
	mm	mm	mm	mm	mm
12AWK2-G2F1	19.05	80.0	35.0	41.9	2.42



Chain No.	P	A	B	H	T
	mm	mm	mm	mm	mm
08B-G1F15	12.70	18.00	24.20	20.00	1.60

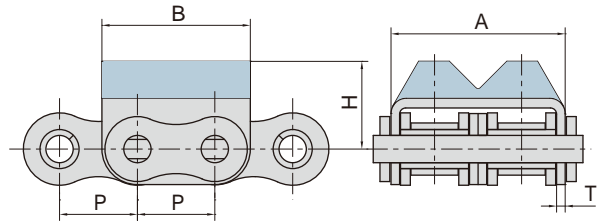


Chain No.	P	A	B	H	T
	mm	mm	mm	mm	mm
10B-G2F6	15.875	33.30	30.00	17.00	1.50

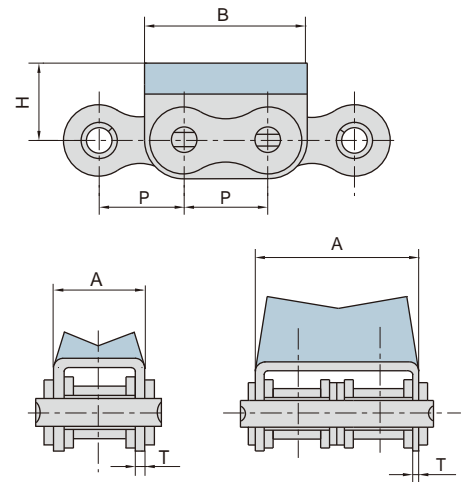


橡胶附板链
Roller chains with vulcanised elastomer profiles

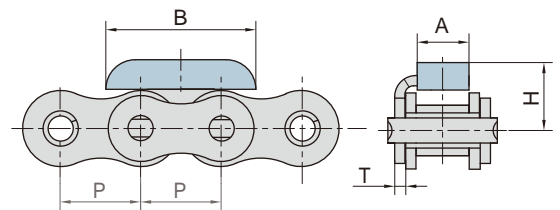
Chain n Nb.	P	A	B	H	T
	mm	mm	mm	mm	mm
08B-G2F18	12.70	28.40	24.20	14.30	1.50



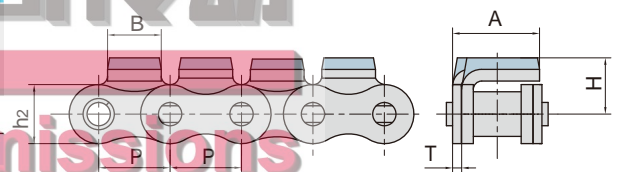
Chain n Nb.	P	A	B	H	T
	mm	mm	mm	mm	mm
08B-G2F11	12.70	28.4	24.2	18.3	1.50
12B-G1F1	19.05	19.6	36.0	18.0	1.85
12B-G2F4	19.05	39.1	36.0	27.5	1.85
12B-G1F13	19.05	19.6	36.0	21.0	1.85
12B-G2F13	19.05	39.1	36.0	27.5	1.85



Chain n Nb.	P	A	B	H	T
	mm	mm	mm	mm	mm
12A-G1F1	19.05	13.0	35.5	16.6	2.42



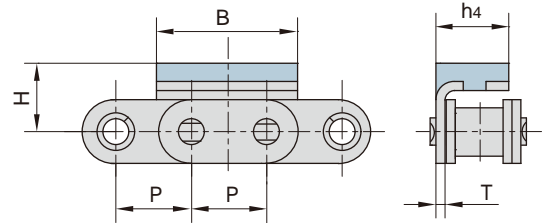
Chain n Nb.	P	A	B	H	h2	T
	mm	mm	mm	mm	mm	mm
16B-G1F7	25.40	31.00	19.10	20.00	21.00	3.10
08B-G1F16	12.70	12.85	23.30	11.40	11.80	1.30



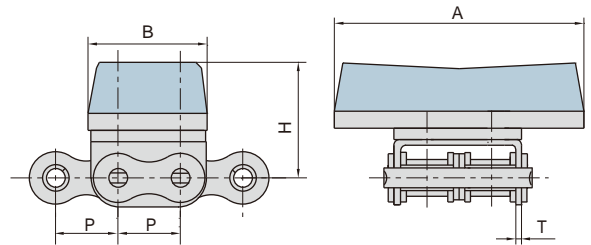
橡胶附板链

Roller chains with vulcanised elastomer profiles

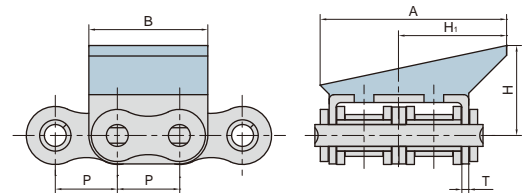
Chain No.	P	B	H	h ₄	T
	mm	mm	mm	mm	mm
06BF9	9.525	17.73	9.0	9.05	1.3



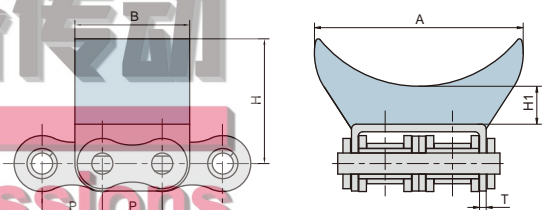
Chain No.	P	A	B	H	T
	mm	mm	mm	mm	mm
12B-G2F3	19.05	77.0	37.0	36.0	1.85
12B-G2F8	19.05	101.0	37.0	36.0	1.85



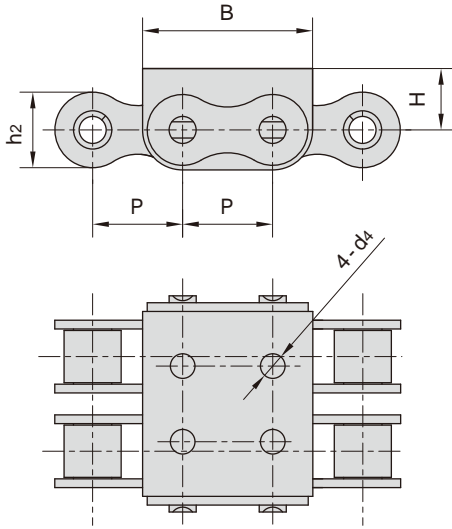
Chain No.	P	A	B	H	H ₁	T
	mm	mm	mm	mm	mm	mm
08B-G2F14	12.7	37.9	24.2	18.3	22.0	1.5



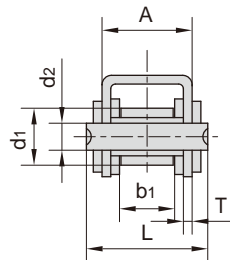
Chain No.	P	A	B	H	H ₁	T
	mm	mm	mm	mm	mm	mm
08B-G2F16	12.70	44.00	24.20	26.30	8.00	1.50
08B-G2F17	12.70	39.00	24.20	21.30	8.00	1.50



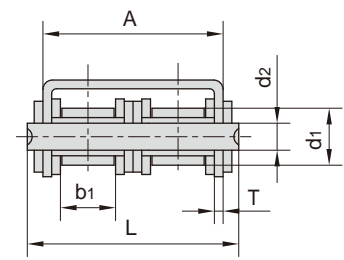
带U型附件滚子链 Roller chains with U type attachments



带U1部件
With U1 profile



带U2部件
With U2 profile

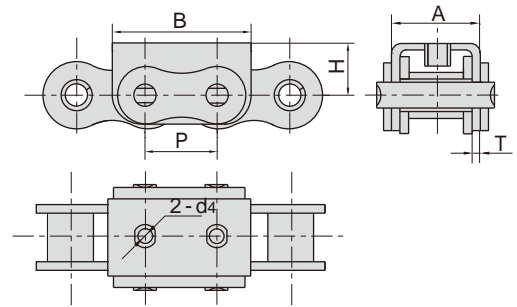


Chain No.	节距	滚子直径	内节内宽	销轴直径	销轴长度	链板、附板尺寸						抗拉强度	每米长重
	Pitch	Roller diameter	Width between inner plates	Pin diameter	Pin length	Plate and attachment dimension						Tensile strength	Weight per meter
	P	d1 max	b1 min	d2 max	L max	h2 max	A	B	H	d4	T	Q min	q
mm	mm	mm	mm	mm	mm	mm	mm	mm	mm	mm	mm	kN/lbf	kg/m
08B-U1	12.700	8.51	7.75	4.45	20.00	11.80	14.60	24.2	8.3	-	1.60	18.0/4091	1.13
08B-U2	12.700	8.51	7.75	4.45	34.30	11.80	28.40	24.2	8.3	-	1.50	32.0/7273	1.96
08B-U2F9	12.700	8.51	7.75	4.45	47.90	11.80	28.40	25.5	8.3	4.0	1.50	29.0/6519	2.00
10A-U1	15.875	10.16	9.40	5.08	24.50	15.09	17.50	31.0	11.3	5.0	1.60	21.8/4901	1.68
10A-U1F3	15.875	10.16	9.40	5.08	24.50	15.09	17.50	31.0	11.3	-	1.60	21.8/4901	1.68
10B-U1	15.875	10.16	9.65	5.08	23.20	14.70	16.80	30.0	11.3	5.0	1.60	19.0/4318	1.53
10B-U2	15.875	10.16	9.65	5.08	39.70	14.70	33.30	30.0	11.3	5.0	1.50	44.5/10004	2.47
10B-U1F7	15.875	10.16	9.65	5.08	23.20	14.70	16.80	30.0	10.3	-	1.60	22.2/4990	1.53
10B-U1F8	15.875	10.16	9.65	5.08	23.20	14.70	16.80	30.0	11.3	-	1.60	19.0/4318	1.52
10B-U2F2	15.875	10.16	9.65	5.08	39.70	14.70	33.30	30.0	11.3	-	1.50	44.5/10004	2.40
12A-U2F3	19.050	11.91	12.57	5.94	52.90	18.00	44.50	37.1	13.0	-	1.85	62.3/14005	2.97
12B-U1	19.050	12.07	11.68	5.72	25.70	16.00	19.60	36.0	13.0	5.0	1.85	29.0/6519	1.90
12B-U2	19.050	12.07	11.68	5.72	45.30	16.00	39.10	36.0	12.0	5.0	1.85	57.8/13136	3.03
16A-U1	25.400	15.88	15.75	7.92	37.20	24.00	27.50	46.0	16.0	-	2.42	56.7/12746	3.87
16B-U1	25.400	15.88	17.02	8.28	39.70	21.00	29.05	49.0	15.4	6.0	1.60	58.0/13407	3.73
16B-U2	25.400	15.88	17.02	8.28	71.70	21.00	60.93	49.0	16.2	-	1.60	106.0/26094	6.15
16B-U2F4	25.400	15.88	17.02	8.28	71.70	21.00	60.93	49.0	16.2	8.4	1.60	106.0/26094	6.64
16B-U2F8	25.400	15.88	17.02	8.28	75.50	21.00	64.73	49.0	16.5	-	3.50	106.0/23829	7.27
16B-U2F10	25.400	15.88	17.02	8.28	75.20	21.00	64.10	49.0	16.2	M8	3.10	106.0/23829	7.86
20BF2	31.750	19.05	19.56	10.19	48.00	26.40	36.00	57.0	21.0	8.0	3.50	85.0/19318	6.01
20B-U1	31.750	19.05	19.56	10.19	48.00	26.40	36.00	57.0	21.0	-	3.50	85.0/19318	6.00
24B-U1	38.100	25.40	25.40	14.63	61.60	33.20	47.00	72.6	28.0	10.0	4.50	160.0/35969	10.88
24B-U1F4	38.100	25.40	25.40	14.63	61.60	33.20	47.00	72.6	28.0	-	4.50	160.0/35969	11.40

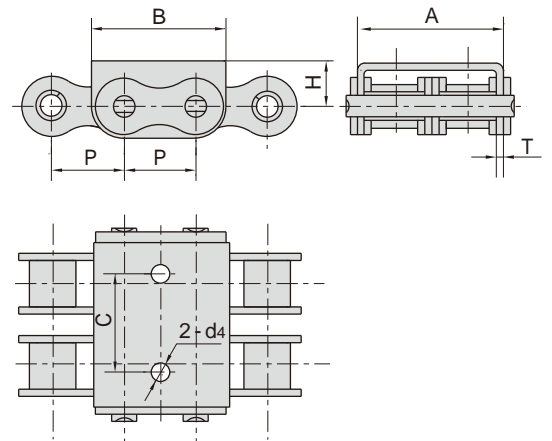
注：d4孔的数量和位置按产品图。
Note: the number and position of d4 hole is as per drawing.

带U型附件滚子链 Roller chains with U type attachments

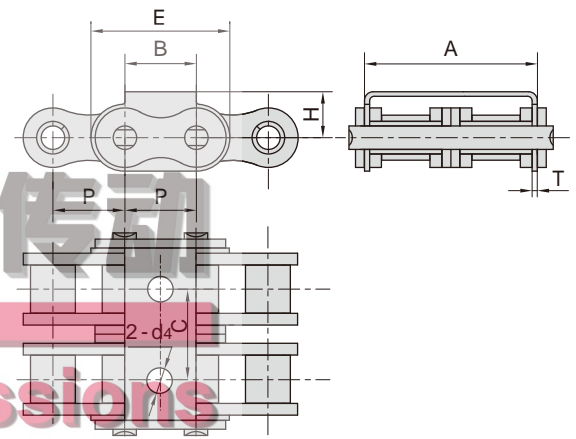
Chain No.	P	A	B	d4	H	T
	mm	mm	mm	mm	mm	mm
08B-U1F1(a)	12.700	14.6	24.2	M4	9.50	1.60
10B-U1F1(a)	15.875	16.8	30.0	M5	11.30	1.60
12B-U1F10	19.050	19.6	36.0	M5	13.00	1.85
16A-U1F7	25.400	27.3	49.5	M6	16.45	2.30
16B-U1F3	25.400	30.3	49.5	M6	16.45	2.30
16B-U1F4	25.400	29.8	47.8	M5	15.00	2.00
20B-U1F3	31.750	36.0	57.0	M6	21.00	3.50
24B-U1F5	38.100	47.0	72.6	M6	28.00	4.50



Chain No.	P	A	B	C	d4	H	T
	mm	mm	mm	mm	mm	mm	mm
08B-U2F2	12.700	28.4	24.2	17.5	3.3	8.3	1.50
10A-U2F1	15.875	36.5	29.0	17.5	3.3	12.0	2.03
10B-U2F3	15.875	33.3	30.0	16.5	4.0	11.3	1.50
12B-U2F7	19.050	38.9	36.0	17.5	3.3	13.2	1.85

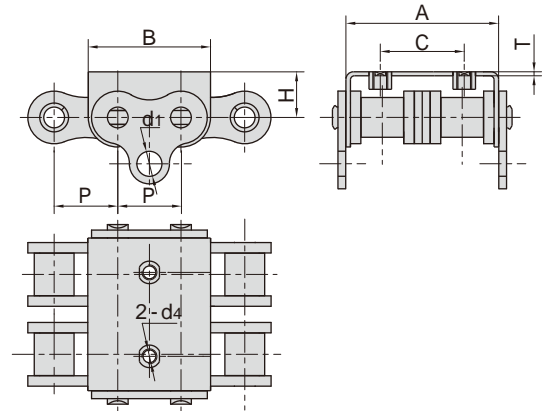


Chain No.	P	A	B	C	d4	E	H	T
	mm	mm	mm	mm	mm	mm	mm	mm
16B-U2F1	25.4	60.93	25.0	33.5	9.0	49.0	16.2	1.6
16B-U2F5	25.4	64.10	25.0	-	-	46.4	17.0	3.1
16B-U1F10	25.4	29.05	25.0	-	6.0	49.0	15.4	1.6

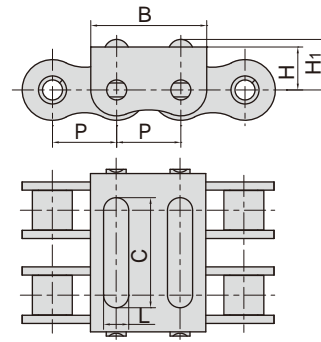


带U型附件滚子链
Roller chains with U type attachments

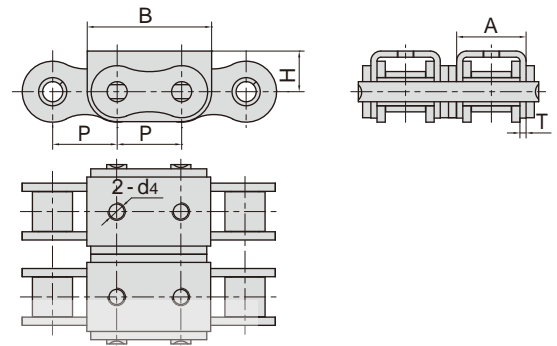
Chai n Nb.	P	A	B	d4	H	T	C	d1
	mm	mm	mm	mm	mm	mm	mm	mm
16B-U2F2	25.4	60.93	49.0	M6	18.2	1.6	33.5	10.0
16B-U2F3	25.4	60.93	49.0	M6	16.2	1.6	33.5	10.0



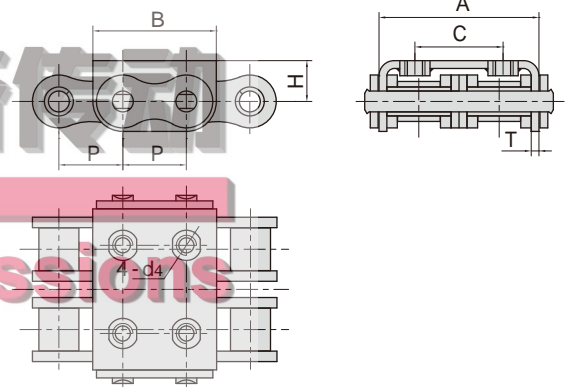
Chai n Nb.	P	B	H	H1	C	L
	mm	mm	mm	mm	mm	mm
16A-U2F8	25.4	45.9	17.0	20.0	41.0	10.0



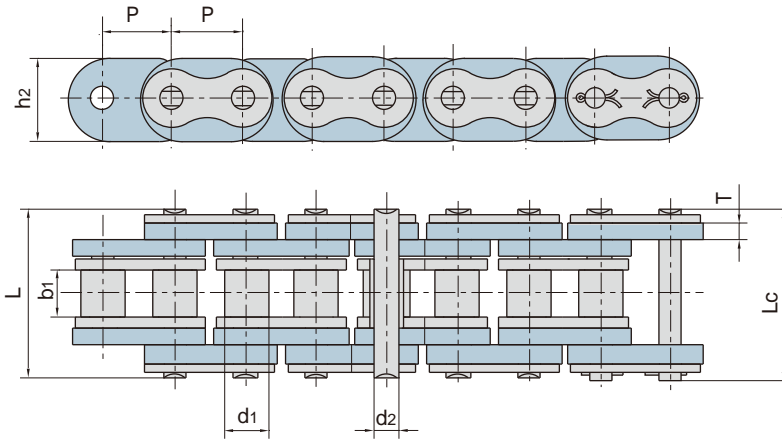
Chai n Nb.	P	A	B	d4	H	T
	mm	mm	mm	mm	mm	mm
16A-U2F9	25.4	27.5	49.0	M6	16.0	2.42



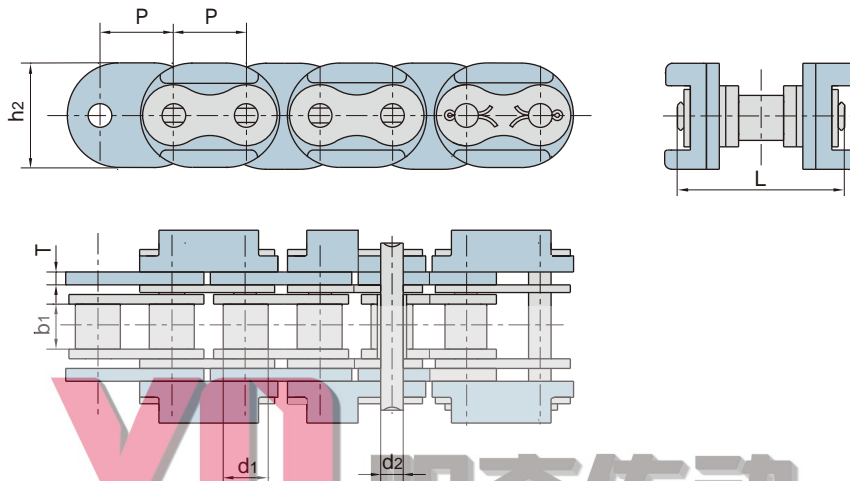
Chai n Nb.	P	A	B	C	d4	H	T
	mm	mm	mm	mm	mm	mm	mm
16B-U2F7	25.4	62.76	49.0	33.5	M6	19.5	2.50
16B-U2F10	25.4	64.10	49.0	35.0	M8	16.2	3.10



带塑料附板滚子链 Roller chains with plastic attachments



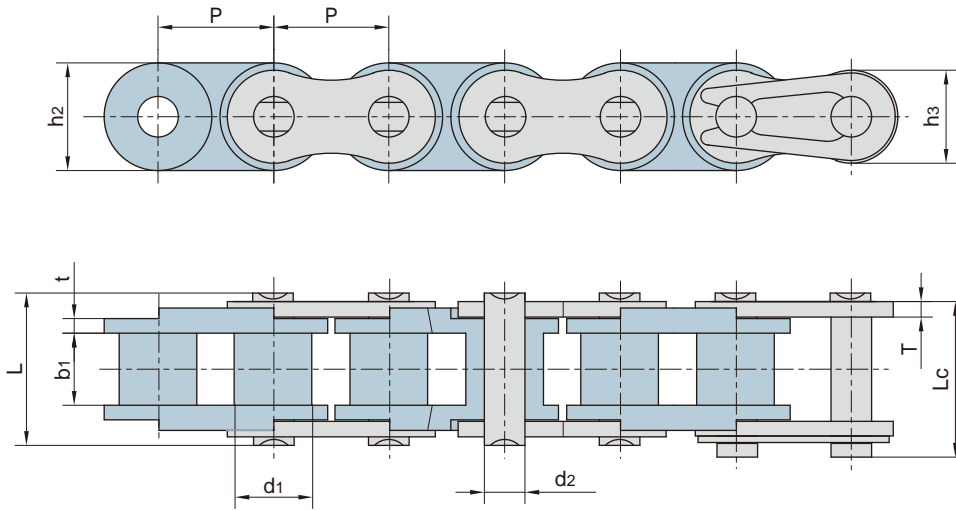
Chain n. No.	节距 Pitch	滚子直径 Roller diameter	内节内宽 Width between inner plates	销轴直径 Pin diameter	销轴长度 Pin length		链板、附板尺寸 Plate & attachment dimension		抗拉强度 Tensile strength	每米长重 Weight per meter
	P	d1 max	b1 min	d2 max	L max	Lc max	h2	T	Q min	q
	mm	mm	mm	mm	mm	mm	mm	mm	kN/lbf	kg/m
16BF9	25.4	15.88	17.02	8.28	61.0	64.2	30.0	6.0	22.0/4949	3.7



Chain n. No.	节距 Pitch	滚子直径 Roller diameter	内节内宽 Width between inner plates	销轴直径 Pin diameter	销轴长度 Pin length		链板、附板尺寸 Plate & attachment dimension		抗拉强度 Tensile strength	每米长重 Weight per meter
	P	d1 max	b1 min	d2 max	L max	Lc max	h2	T	Q min	q
	mm	mm	mm	mm	mm	mm	mm	mm	kN/lbf	kg/m
20BF6	31.75	19.05	19.56	10.19	73.7	45.0	45.0	6.0	95.0/21591	6.35

塑料链 Plastic chains

工程塑料内链节轻型输送链
Engineering plastic inner link light-duty conveyor chains

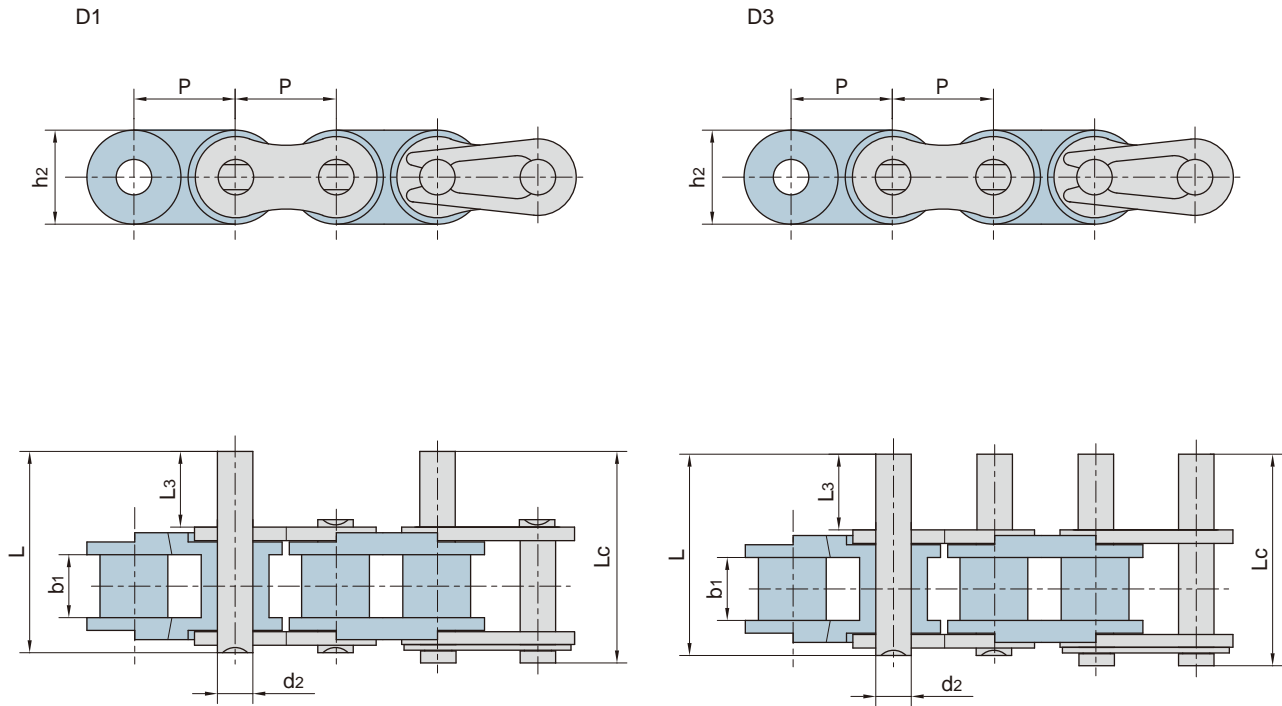


Chain No.	节距 Pitch	滚子直径 Roller diameter	内节内宽 Width between inner plates	销轴直径 Pin diameter	销轴长度 Pin length		链板高度 Plate depth		链板厚度 Plate thickness	抗拉强度 Tensile strength
	P	d1 max	b1 min	d2 max	L max	Lc max	h2 max	h3 max	t/T	Q min
	mm	mm	mm	mm	mm	mm	mm	mm	mm	kN/lbf
04CPSa	6.350	3.30	3.10	2.31	7.9	8.4	6.0	5.06	0.80	0.6/136
06CPSa	9.525	5.08	4.68	3.58	12.4	13.2	9.0	7.80	1.30	1.1/250
08APSa	12.700	7.92	7.85	3.96	16.6	17.8	12.0	10.40	1.50	2.5/568
10APSa	15.875	10.16	9.40	5.08	20.7	22.2	15.1	13.00	2.03	3.5/795
12APSa	19.050	11.91	12.57	5.94	25.9	27.7	18.0	15.60	2.42	4.5/1023
16APSa	25.400	15.88	15.75	7.92	32.7	35.0	24.0	20.50	3.25	7.5/1686
08BPSa	12.700	8.51	7.75	4.45	16.7	18.2	11.8	10.60	1.60	2.5/568
10BPSa	15.875	10.16	9.65	5.08	19.5	20.9	14.7	13.70	1.70	2.8/629
12BPSa	19.050	12.07	11.68	5.72	22.5	24.2	16.0	15.00	1.85	4.2/1023
16BPSa	25.400	15.88	17.02	8.28	36.1	37.4	21.0	21.00	4.15/3.10	7.5/1686

China Transmissions

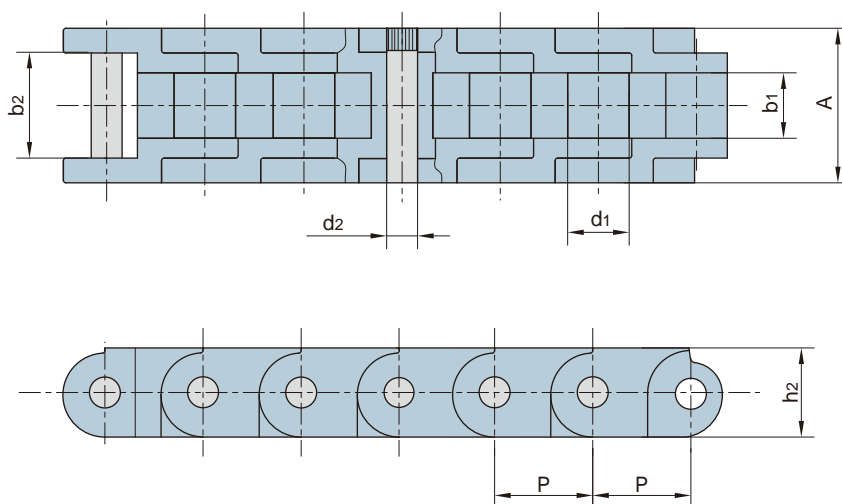
塑料链 Plastic chains

工程塑料内链节轻型输送链
Engineering plastic inner link light-duty conveyor chains



Chain No.	P	b1	d2	h2	L3	L	Lc
	mm	mm	mm	mm	mm	mm	mm
06CPSa	9.525	4.68	3.58	9.0	9.5	20.8	21.6
08APSa	12.700	7.85	3.96	12.0	9.5	25.1	26.2
10APSa	15.875	9.40	5.08	15.1	11.9	31.3	33.1
12APSa	19.050	12.57	5.94	18.0	14.3	38.6	40.6
16APSa	25.400	15.75	7.92	24.0	19.1	50.3	53.3
08BPSa	12.700	7.75	4.45	11.8	9.5	25.1	26.6
10BPSa	15.875	9.65	5.08	14.7	11.9	30.1	31.5
12BPSa	19.050	11.68	5.72	16.0	14.3	35.4	37.1
16BPSa	25.400	17.02	8.28	21.0	19.1	53.0	54.3

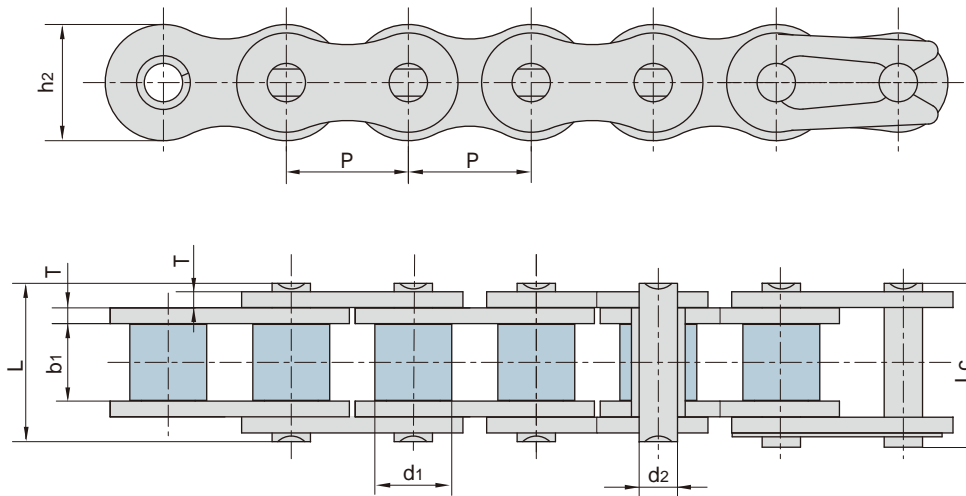
塑料链
Plastic chains



Chain No.	P	b1	b2	d2	d1	A	h2	最大允许载荷 Max allowed load
	mm	mm	mm	mm	mm	mm	mm	kN/lbf
PD60	19.05	12.7	20.7	6	11.94	30	17.3	0.88/198

ChinaTransmissions

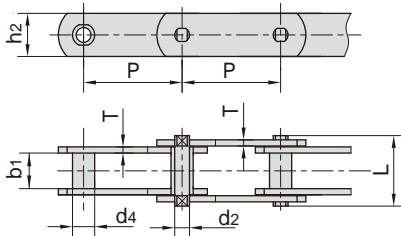
带塑料滚子输送链
Conveyor chains with plastic rollers



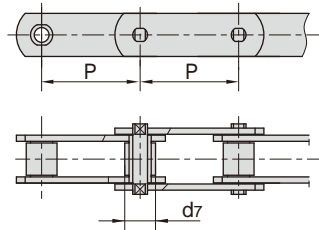
Chain No.	节距	滚子直径	内节内宽	销轴直径	销轴长度		内链板高度	链板厚度	抗拉强度	平均抗拉强度	每米长重
	Pitch	Roller diameter	Width between inner plates	Pin diameter	Pin length	Pin length	Inner plate depth	Plate thickness	Tensile strength	Average tensile strength	Weight per meter
	P	d1 max	b1 min	d2 max	L max	Lc max	h2 max	T	Q min	Q0	q
	mm	mm	mm	mm	mm	mm	mm	mm	kN/lbf	kN	kg/m
40-P	12.700	7.95	7.85	3.96	16.60	17.80	12.00	1.50	14.1/3205	17.5	0.56
50-P	15.875	10.16	9.40	5.08	20.70	22.20	15.09	2.03	22.2/5045	29.4	0.96
60-P	19.050	11.91	12.57	5.94	25.90	27.70	18.00	2.42	31.8/7227	41.5	1.35
80-P	25.400	15.88	15.75	7.92	32.70	35.00	24.00	3.25	56.7/12886	69.4	2.26
A2050-P	31.750	10.16	9.40	5.08	20.70	22.20	15.00	2.03	22.2/5045	28.1	0.61

M系列输送链 Conveyor chains (M series)

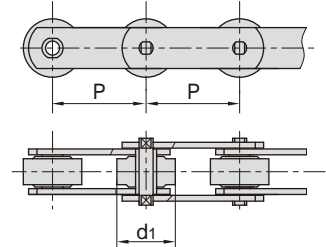
1. 无滚子
1. without rollers



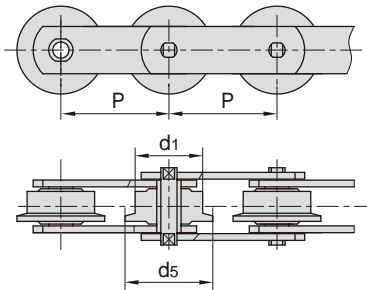
2. 带S型小滚子
2. with S small rollers type



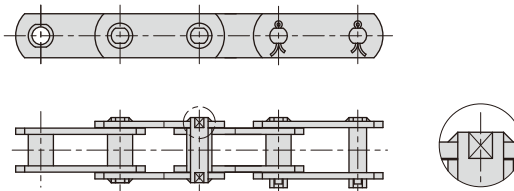
3. 带P型大滚子
3. with P large rollers type



4. 带F型带边滚子
4. with F flanged rollers type



5. 销轴铆头后采用焊接加固
5. Welded pins with plates



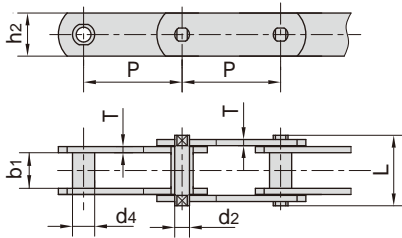
ISO 链号 ISO Chain No.	节距 Pitch								滚子直径 Roller diameter			套筒直径 Bush diameter
	P								d1 max	d7 max	d5 max	d4 max
	mm								mm	mm	mm	mm
M20	*40.0	50.0	63.0	80.0	100.0	125.0	160.0		25.0	12.5	32.0	9.0
M28	*50.0	63.0	80.0	100.0	125.0	160.0	200.0		30.0	15.0	36.0	10.0
M40	63.0	80.0	100.0	125.0	160.0	200.0	250.0		36.0	18.0	42.0	12.5
M56	*63.0	80.0	100.0	125.0	160.0	200.0	250.0		42.0	21.0	50.0	15.0
M80	80.0	100.0	125.0	160.0	200.0	250.0	315.0		50.0	25.0	60.0	18.0
M112	*80.0	100.0	125.0	160.0	200.0	250.0	315.0	400.0	60.0	30.0	70.0	21.0
M160	*100.0	125.0	160.0	200.0	250.0	315.0	400.0	500.0	70.0	36.0	85.0	25.0
M224	*125.0	160.0	200.0	250.0	315.0	400.0	500.0	630.0	85.0	42.0	100.0	30.0
M315	*160.0	200.0	250.0	315.0	400.0	500.0	630.0		100.0	50.0	120.0	36.0
M450	200.0	250.0	315.0	400.0	500.0	630.0	800.0		120.0	60.0	140.0	42.0

ISO 链号 ISO Chain No.	内节内宽 Width between inner plates	销轴直径 Pin diameter	销轴长度 Pin length	链板高度 Plate depth	链板厚度 Plate thickness	抗拉强度 Tensile strength	平均抗拉强度 Average tensile strength
	b1 min	d2 max	L max	h2 max	T max	Q min	Q0
	mm	mm	mm	mm	mm	kN/lbf	kN
M20	16.0	6.0	35.0	19.0	2.5	20.0/4545	25.0
M28	18.0	7.0	40.0	21.0	3.0	28.0/6364	35.0
M40	20.0	8.5	45.0	26.0	3.5	40.0/9091	50.0
M56	24.0	10.0	52.0	31.0	4.0	56.0/12727	70.0
M80	28.0	12.0	62.0	36.0	5.0	80.0/18182	100.0
M112	32.0	15.0	73.0	41.0	6.0	112.0/25454	140.0
M160	37.0	18.0	85.0	51.0	7.0	160.0/36364	200.0
M224	43.0	21.0	98.0	62.0	8.0	224.0/50909	280.0
M315	48.0	25.0	112.0	72.0	10.0	315.0/71591	393.7
M450	56.0	30.0	135.0	82.0	12.0	450.0/102272	562.5

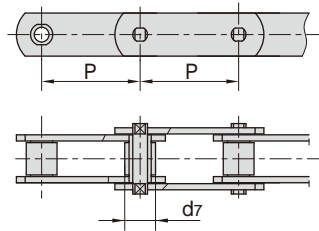
*链条仅有套筒和小滚子
*Chain has bush and small roller only

M系列输送链 Conveyor chains (M series)

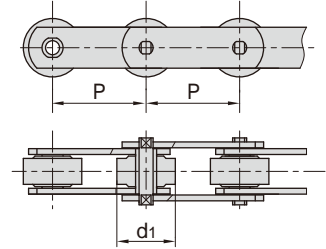
1. 无滚子
1. without rollers



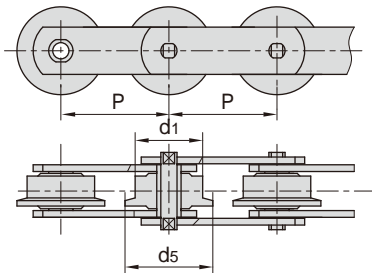
2. 带S型小滚子
2. with S small rollers type



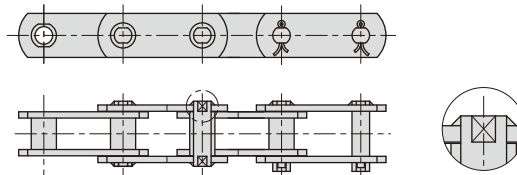
3. 带P型大滚子
3. with P large rollers type



4. 带F型带边滚子
4. with F flanged rollers type



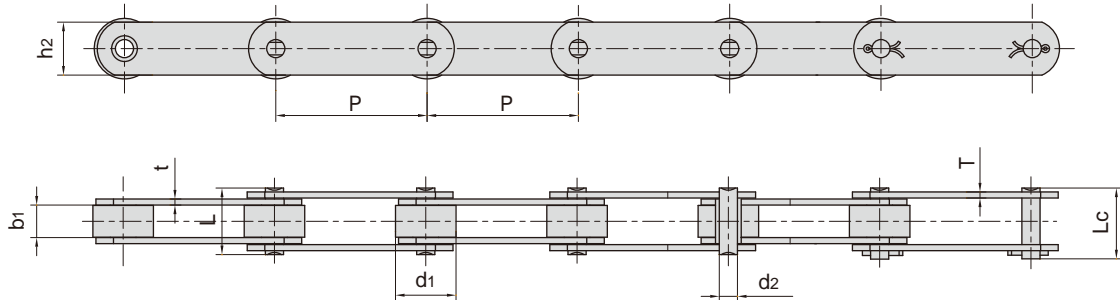
5. 销轴铆头后采用焊接加固
5. Welded pins with plates



DIN 链号 DIN Chain No.	节距 Pitch							滚子直径 Roller diameter			套筒直径 Bush diameter
	P							d1 max	d7 max	d5 max	d4 max
	mm							mm	mm	mm	mm
M20	40.0	50.0	63.0	80.0	100.0	125.0	160.0	25.0	12.50	30.00	9.0
M28	50.0	63.0	80.0	100.0	125.0	160.0	200.0	30.0	15.00	36.00	10.0
M40	63.0	80.0	100.0	125.0	160.0	200.0	250.0	36.0	18.00	42.00	12.5
M56	63.0	80.0	100.0	125.0	160.0	200.0	250.0	42.0	21.00	50.00	15.0
M80	80.0	100.0	125.0	160.0	200.0	250.0	315.0	50.0	25.00	60.00	18.0
M112	80.0	100.0	125.0	160.0	200.0	250.0	315.0	60.0	30.00	70.00	21.0
M160	100.0	125.0	160.0	200.0	250.0	315.0	400.0	70.0	36.00	85.00	25.0
M224	125.0	160.0	200.0	250.0	315.0	400.0	500.0	85.0	42.00	100.00	30.0
M315	160.0	200.0	250.0	315.0	400.0	500.0	630.0	100.0	50.00	120.00	36.0
M450	200.0	250.0	315.0	400.0	500.0	630.0	800.0	120.0	60.00	140.00	42.0

DIN 链号 DIN Chain No.	内节内宽 Width between inner plates	销轴直径 Pin diameter	销轴长度 Pin length	链板高度 Plate depth	链板厚度 Plate thickness	抗拉强度 Tensile strength	平均抗拉强度 Average tensile strength
	b1	d2	L	h2	T	Q	Q0
	min	max	max	max	max	min	
	mm	mm	mm	mm	mm	kN/lbf	kN
M20	16.0	6.0	35.0	18.0	2.5	20.0/4545	25.0
M28	18.0	7.0	40.0	20.0	3.0	28.0/6364	35.0
M40	20.0	8.5	45.0	25.0	3.5	40.0/9091	50.0
M56	24.0	10.0	52.0	30.0	4.0	56.0/12727	70.0
M80	28.0	12.0	62.0	35.0	5.0	80.0/18182	100.0
M112	32.0	15.0	73.0	40.0	6.0	112.0/25454	140.0
M160	37.0	18.0	85.0	50.0	7.0	160.0/36364	200.0
M224	43.0	21.0	98.0	60.0	8.0	224.0/50909	280.0
M315	48.0	25.0	112.0	70.0	10.0	315.0/71591	393.7
M450	56.0	30.0	135.0	80.0	12.0	450.0/102272	562.5

M系列输送链 Conveyor chains (M series)

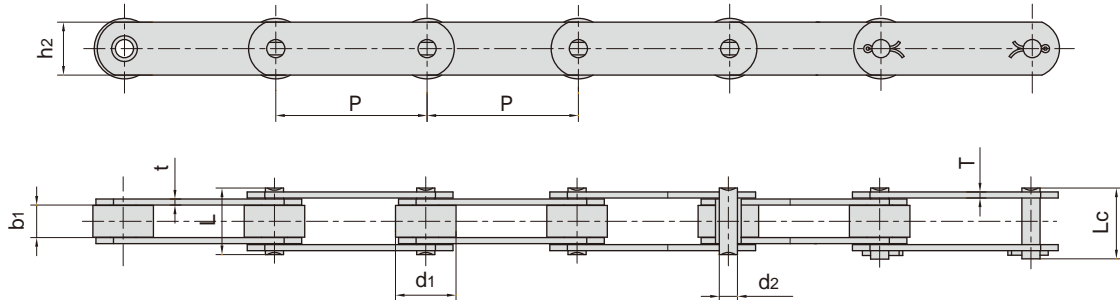


Chain No.	节距 Pitch	滚子直径 Roller diameter	内节内宽 Width between inner plates	销轴直径 Pin diameter	销轴长度 Pin length		链板高度 Inner plate depth	链板厚度 Plate thickness	抗拉强度 Tensile strength	平均抗拉强度 Average tensile strength	每米长重 Weight per meter
	P	d1 max	b1 min	d2 max	L max	Lc max	h2 max	t/T max	Q min	Q0	q
	mm	mm	mm	mm	mm	mm	mm	mm	kN/lbf	kN	kg/m
M18F1-P-50	50.0	25.00	11.50	5.72	26.0	28.2	18.0	2.5	18.0/4050	20.0	1.81
M20-PF1-50	50.0	30.00	16.00	6.00	31.0	33.5	18.0	2.5	20.0/4500	22.0	2.60
M22-P-50	50.0	25.00	11.50	8.00	28.0	30.9	20.0	3.0	22.0/4950	24.2	2.64
M22F1-P-50	50.0	25.00	12.00	10.00	29.4	32.6	20.0	3.0	22.0/4950	24.2	2.30
M28F4-S-50	50.0	15.00	17.00	7.00	33.0	36.5	20.0	3.0	28.0/6300	35.0	1.88
M28F5-P-63	63.0	30.00	18.00	7.00	42.0	45.5	25.0	5.0	40.0/9000	50.0	4.23
M28F8-P-80	80.0	25.00	16.00	7.00	33.0	36.2	20.0	3.0	28.0/6294	31.0	1.89
M35F2-S-35	35.0	14.00	14.00	7.00	31.0	34.0	18.0	3.5/2.5	35.0/7874	39.0	1.82
M35F2-P-35	35.0	22.00	14.00	7.00	31.0	34.0	18.0	3.5/2.5	35.0/7874	39.0	2.47
*M35F3-B-35	35.0	14.00	14.00	6.00	30.2	33.0	18.0	3.0	35.0/7874	39.0	1.73
M35F4-C-69	69.0	25.00	12.00	7.00	27.5	30.0	19.0	2.5	35.0/7874	39.0	1.60
M35F5-P-50.8	50.8	25.00	16.00	7.00	33.0	36.0	20.0	3.0	35.0/7874	39.0	2.48
M35F9-P-50	50.0	25.00	16.00	6.00	30.4	32.7	18.0	2.5	33.0/7425	36.0	2.23
M35F10-P-50	50.0	20.00	16.00	7.00	33.0	36.0	25.0	3.0	35.0/7874	39.0	2.53
M35F11-P-35	35.0	20.00	16.00	7.00	31.0	34.0	18.0	2.5	35.0/7874	39.0	2.22
M40-PF1-100	100.0	36.00	20.00	8.50	40.5	44.5	25.0	3.5	40.0/9000	44.0	3.28
M40F4-P-50	50.0	31.75	15.00	10.00	36.6	39.0	25.0	4.0	40.0/9000	44.0	4.00
M40F5-S-65	65.0	24.00	15.00	10.00	36.6	39.0	30.0	4.0	40.0/9000	44.0	4.86
M40F6-P-80	80.0	36.00	20.00	8.50	41.0	44.2	25.0	4.0	40.0/9000	44.0	3.68
M40F17-P-50.8	50.8	31.00	15.20	13.35	38.0	42.8	25.0	5.0/4.0	53.9/12127	59.2	4.45
M40F22-P-100	100.0	40.00	32.00	14.00	63.7	69.0	50.0	6.0	195.0/43838	214.5	10.30
M56-SF1-63	63.0	25.00	24.00	10.00	46.0	49.5	30.0	4.0	56.0/12600	61.6	2.31
M56-PF1-80	80.0	25.00	24.00	10.00	46.0	49.5	30.0	4.0	56.0/12600	61.6	3.61
M56-SF1-80	80.0	50.00	24.00	10.00	46.0	49.5	30.0	4.0	56.0/12600	61.6	6.96
M56F14-S-63	63.0	21.00	24.00	10.00	46.0	49.5	30.0	4.0	56.0/12600	61.6	3.81
M56F14-S-80	80.0	21.00	24.00	10.00	46.0	49.5	30.0	4.0	56.0/12600	61.6	3.27
M56F14-P-100	100.0	42.00	24.00	10.00	46.0	49.5	30.0	4.0	56.0/12600	61.6	5.00
M56F21-P-100	100.0	42.00	24.00	12.00	54.7	59.5	30.0	6.0	56.0/12600	61.6	6.30
M56F28-P-100	100.0	31.00	15.00	10.00	38.2	43.0	30.0	4.0	56.0/12600	61.6	3.20

*套筒链：表中滚子直径d1为套筒直径

*Bush chain: d1 in the table indicates the external diameter of the bush.

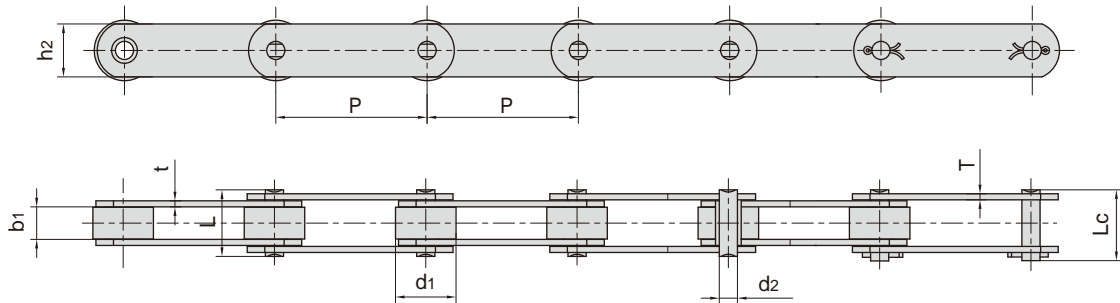
M系列输送链 Conveyor chains (M series)



Chain No.	节距	滚子直径	内节内宽	销轴直径	销轴长度		链板高度	链板厚度	抗拉强度	平均抗拉强度	每米长重
	Pitch	Roller diameter	Width between inner plates	Pin diameter	L max	Lc max	Inner plate depth	Plate thickness	Tensile strength	Average tensile strength	Weight per meter
	P	d1 max	b1 min	d2 max	L max	Lc max	h2 max	t/T max	Q min	Q0	q
	mm	mm	mm	mm	mm	mm	mm	mm	kN/lbf	kN	kg/m
M75-P-75	75.0	40.00	22.00	12.00	44.0	47.0	35.0	4.0	75.0/16870	75.0	5.88
M80F3-P-125	125.0	50.00	28.00	11.00	55.0	58.5	35.0	5.0	80.0/18000	88.0	6.72
*M80F4-BF1-125	125.0	25.00	28.00	12.00	55.0	58.5	35.0	5.0	80.0/18000	88.0	4.27
M80F4-A-100	100.0	25.00	28.00	12.00	55.0	58.5	35.0	5.0	80.0/18000	88.0	4.63
*M80F4-B-100	100.0	18.00	28.00	12.00	55.0	58.5	35.0	5.0	80.0/18000	88.0	4.13
*M80F4-B-125	125.0	18.00	28.00	12.00	55.0	58.5	35.0	5.0	80.0/18000	88.0	3.85
M80F6-P-75	75.0	35.00	14.00	12.00	40.5	45.0	30.0	5.0	80.0/18000	88.0	4.80
M80F8-S-80	80.0	25.00	28.00	12.00	55.0	58.5	35.0	5.0	80.0/18000	88.0	5.11
*M80F8-B-80	80.0	18.00	28.00	12.00	55.0	58.5	35.0	5.0	80.0/18000	88.0	4.48
*M80F8-B-100	100.0	18.00	28.00	12.00	55.0	58.5	35.0	5.0	80.0/18000	88.0	4.14
*M80F8-B-125	125.0	18.00	28.00	12.00	55.0	58.5	35.0	5.0	80.0/18000	88.0	3.85
M80F9-S-80	80.0	25.00	28.00	12.00	54.5	59.0	35.0	5.0	80.0/18000	88.0	5.07
M80F12-P-100	100.0	50.00	28.00	12.00	55.0	58.5	35.0	5.0	80.0/18000	88.0	7.80
M80F30-S-100	100.0	25.00	28.00	12.00	55.0	58.5	40.0	5.0	80.0/18000	88.0	7.51
*M80F31-B-100	100.0	18.00	28.00	12.00	61.0	67.0	35.0	5.0/8.0	80.0/18000	88.0	10.40
M100-P-80	80.0	47.50	31.40	15.90	71.2	76.0	40.0	8.0	100.0/22727	110.0	12.36
*M112F61-B-80	80.0	21.00	32.00	15.00	64.5	69.0	40.0	6.0	112.0/25200	123.2	6.50
M112F2-P-125	125.0	55.00	50.00	16.00	87.1	91.6	40.0	7.2	112.0/25200	123.2	13.35
M224F3-P-160	160.0	80.00	30.00	21.00	81.0	-	60.0	8.0	224.0/50909	246.0	17.34
*M112F6-B-100	100.0	21.00									6.14
*M112F6-B-125	125.0	21.00	32.00	15.00	64.0	68.3	40.0	6.0	112.0/25200	123.2	5.46
M112F6-P-125	125.0	60.00									10.33
M112F7-P-125	125.0	30.00	32.00	15.00	64.0	68.3	40.0	6.0	112.0/25200	123.2	6.39
M112F8-S-100	100.0	30.00	31.00	15.00	63.5	68.0	40.0	6.0	112.0/25200	123.2	7.14
*M112F14	160.0	21.00	31.00	14.00	64.4	69.0	40.0	6.0	112.0/25200	123.2	5.03
*M112F15-B-100	100.0	21.00	31.00	15.00	64.5	69.0	40.0	6.0	112.0/25200	123.2	5.90
M112F18-S-100	100.0	30.00	31.00	15.00	64.0	68.6	36.0	6.0	112.0/25200	123.2	6.20
M112F33-P-100	100.0	60.00	32.00	15.00	72.5	77.0	40.0	8.0	112.0/25200	123.2	14.10
*M112F49-B-100	100.0	21.00	32.00	15.00	73.0	77.5	40.0	6.0/10.0	112.0/25200	123.2	8.20
*M112F18-B-125	125.0	21.00	31.00	15.00	-	68.6	36.0	6.0	112.0/25200	123.2	5.25
*M112F60-B-125	125.0	21.00	32.00	15.00	64.5	69.0	40.0	6.0	112.0/25200	123.2	5.60

*套筒链：表中滚子直径d1为套筒直径
*Bush chain: d1 in the table indicates the external diameter of the bush.

M系列输送链 Conveyor chains (M series)

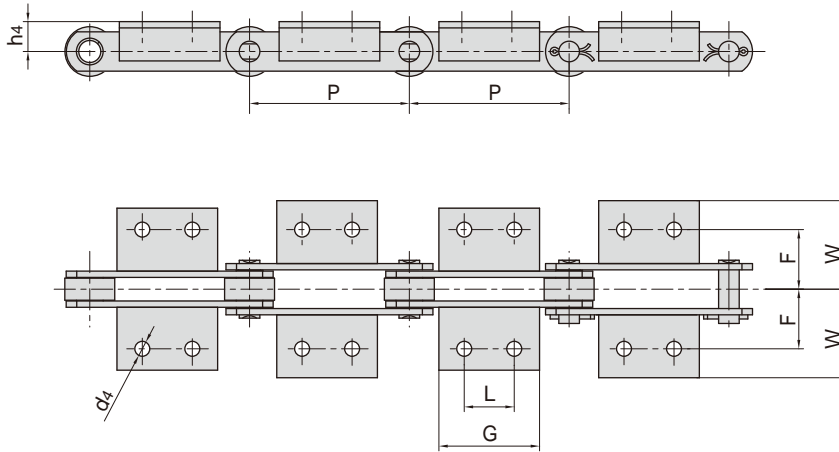


Chain No.	节距 Pitch	滚子直径 Roller diameter	内节内宽 Width between inner plates	销轴直径 Pin diameter	销轴长度 Pin length		链板高度 Inner plate depth	链板厚度 Plate thickness	抗拉强度 Tensile strength	平均抗拉强度 Average tensile strength	每米长重 Weight per meter
	P	d1 max	b1 min	d2 max	L max	Lc max	h2 max	t/T max	Q min	Q0	q
	mm	mm	mm	mm	mm	mm	mm	mm	kN/lbf	kN	kg/m
M112-S-150	150.0	30.0	32.0	15.0	-	69.0	40.0	6.0	160.0/36364	176.0	6.05
M112F21-P-160	160.0	40.0	25.0	15.0	57.5	62.0	40.0	6.0	112.0/25200	123.2	6.86
M112F24-S-100	100.0	30.0	32.0	15.0	-	73.2	36.0	6.0	112.0/25200	123.2	6.82
M112-PF1-80	80.0	40.0	32.0	15.0	64.5	69.0	40.0	6.0	112.0/25200	123.2	10.97
*M112F27-B-160	160.0	21.0	31.0	14.0	69.4	74.0	40.0	6.0/8.0	112.0/25200	123.2	5.80
*M112F47-B-160	160.0	21.0	32.0	15.0	72.5	77.0	40.0	8.0	160.0/36364	176.0	7.00
M160F1-P-100	100.0	36.0	36.0	18.0	76.0	80.0	40.0	7.0	160.0/36364	176.0	9.42
*M160F14-B-100	100.0	25.0	37.0	18.0	77.3	83.5	50.0	8.0	160.0/36364	176.0	10.44
*M160F15-B-100	100.0	25.0	37.0	18.0	85.3	91.5	50.0	10.0	160.0/36364	176.0	12.51
*M160F41-B-100	100.0	25.0	37.5	18.0	73.3	79.5	50.0	7.0	160.0/36364	176.0	9.34
M160F23-S-160	160.0	36.0	37.0	18.0	73.3	79.5	50.0	7.0	160.0/36364	176.0	11.95
*M160F36-B-160	160.0	25.0	37.0	18.0	73.3	79.5	50.0	7.0	160.0/36364	176.0	7.86
M160F40-P-200	200.0	70.0	37.0	20.0	83.0	89.5	51.0	9.0	180.0/40492	198.0	14.50
*M224F30-B-125	125.0	30.0	42.0	21.0	-	92.5	56.0	8.0	224.0/50909	246.0	12.49
*M224F40-B-160	160.0	30.0	43.0	21.0	85.0	91.0	60.0	8.0	224.0/50909	246.0	11.20
*M224F52-B-160	160.0	30.0	43.0	21.0	93.0	99.0	60.0	10.0	224.0/50909	246.0	16.20
*M224F31-B-200	200.0	30.0	43.0	21.0	84.0	91.0	60.0	8.0	224.0/50909	246.0	10.05
M300F6-P-152.4	152.4	88.9	38.5	32.0	84.0	92.0	60.0	10.0/8.0	400.0/89990	500.0	23.10
*M315F1-B-125	125.0	36.0	37.0	25.0	90.0	-	70.0	10.0	315.0/70862	346.0	19.15
M315-S-170	170.0	50.0	47.0	25.0	98.9	105.0	70.0	10.0	315.0/70862	346.5	19.83
*M315F6-B-160	160.0	42.0	80.0	25.0	140.0	140.0	80.0	12.0	315.0/70862	346.5	27.30
M315F10-S-250	250.0	50.0	55.0	26.0	106.9	113.0	70.0	10.0	315.0/70862	393.7	17.60
M315F12-S-200	200.0	45.0	48.0	25.0	119.0	126.5	70.0	15.0	600.0/135000	648.0	24.20
M315F16-S-250	250.0	60.0	48.0	25.0	109.5	117.0	70.0	12.0	600.0/135000	648.0	21.60
*M315F17-B-160	160.0	36.0	66.7	25.0	93.5	100.5	70.0	8.0	315.0/70862	346.5	15.04
M315F52-S-250	250.0	60.0	48.0	25.0	108.0	115.0	70.0	12.0	315.0/70862	346.5	21.30
M450F28-S-200	200.0	60.0	56.0	30.0	131.0	142.0	80.0	15.0	450.0/102272	562.5	36.50
*M630-B-250	250.0	50.0	65.0	36.0	140.0	150.0	103.0	14.0	630.0/14172	693.0	36.30

*套筒链：表中滚子直径d1为套筒直径

*Bush chain: d1 in the table indicates the external diameter of the bush.

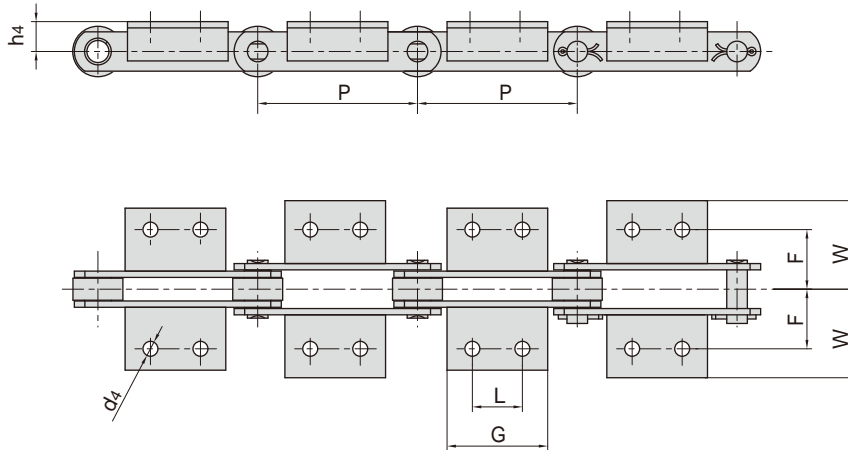
M系列带附板输送链 Conveyor chains with attachments (M series)



ISO 链号 ISO Chain No.	P	L	G	d4	F	W	h4
	mm	mm	mm	mm	mm	mm	mm
M20	40.0		14.0	6.6	27.0	40.0	16.0
	50.0		14.0				
	63.0	20.0	35.0				
	80.0	35.0	50.0				
M28	50.0		20.0	9.0	32.0	47.0	20.0
	63.0		20.0				
	80.0	25.0	45.0				
	100.0	40.0	60.0				
M40	63.0		31.0	9.0	35.0	50.0	25.0
	80.0	20.0	45.0				
	100.0	40.0	60.0				
	125.0	65.0	85.0				
M56	63.0		22.0	11.0	44.0	61.0	30.0
	80.0		30.0				
	100.0	25.0	50.0				
	125.0	50.0	75.0				
	160.0	85.0	110.0				
M80	80.0		30.0	11.0	48.0	65.0	35.0
	100.0	25.0	50.0				
	125.0	50.0	75.0				
	160.0	85.0	110.0				
	200.0	125.0	150.0				

附板带一个孔
Attachments with 1 hole

M系列带附板输送链 Conveyor chains with attachments (M series)

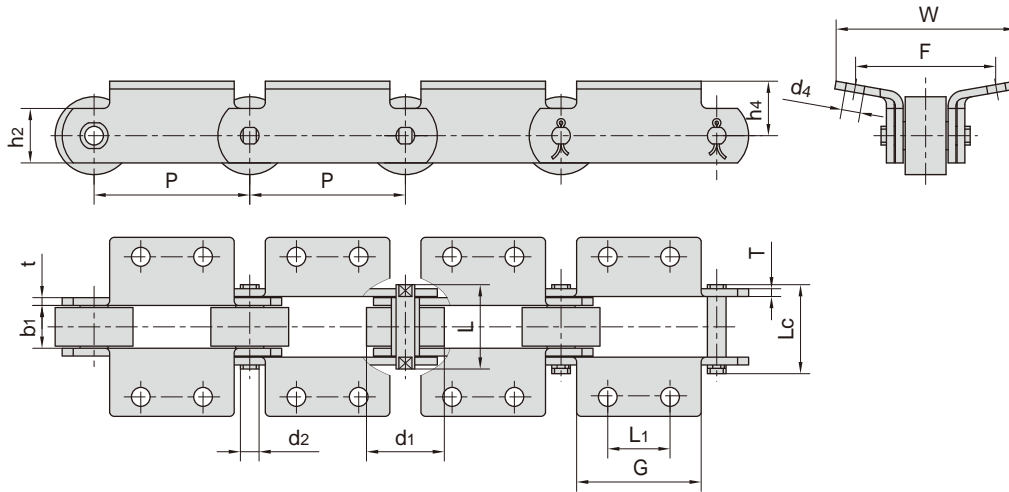


ISO 链号 ISO Chain No.	P	L	G	d4	F	W	h4
	mm	mm	mm	mm	mm	mm	mm
M112	80.0		28.0	14.0	55.0	80.0	40.0
	100.0		40.0				
	125.0	35.0	65.0				
	160.0	65.0	95.0				
M160	200.0	100.0	130.0	14.0	62.0	85.0	45.0
	100.0		30.0				
	125.0	25.0	50.0				
	160.0	50.0	80.0				
M224	200.0	85.0	115.0	18.0	70.0	110.0	55.0
	250.0	145.0	175.0				
	125.0		35.0				
	160.0	65.0	100.0				
M315	250.0	100.0	140.0	18.0	80.0	115.0	65.0
	315.0	190.0	230.0				
	160.0		35.0				
	200.0	50.0	85.0				
	250.0	155.0	190.0				
	400.0	155.0	205.0				

附板带一个孔
Attachments with 1 hole

ChinaTransmissions

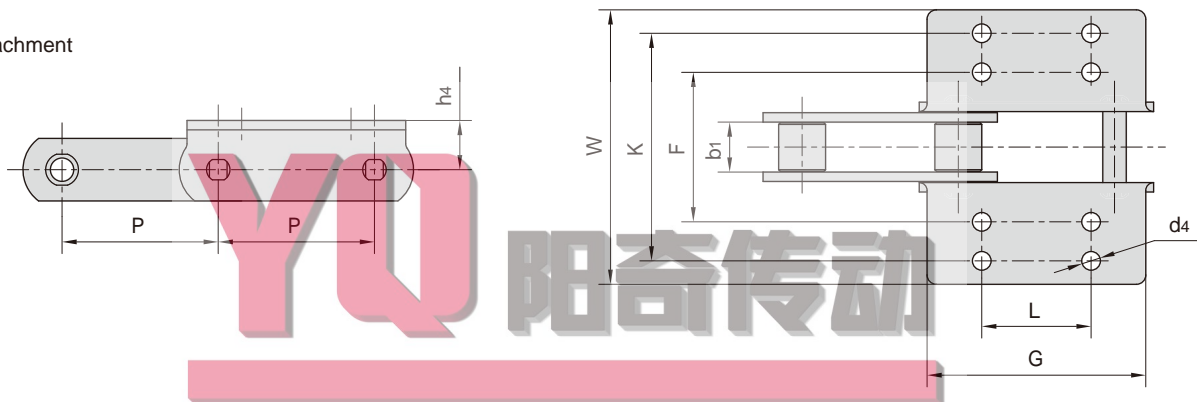
M系列带附板输送链 Conveyor chains with attachments (M series)



Chain No.	L1	G	F	W	h4	d4
	mm	mm	mm	mm	mm	mm
M80K2F6 - P - 100	40.00	80.00	90.00	115.00	35.00	12.00
M112K2F4 - P - 200	120.00	180.00	110.00	142.00	46.00	14.00

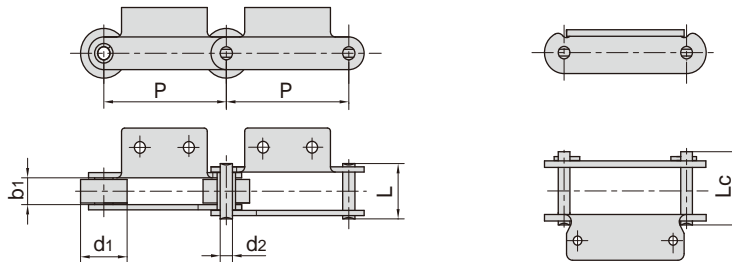
Chain No.	节距	滚子直径	内节内宽	销轴直径	销轴长度		内链板高度	链板厚度	抗拉强度	每米长重
	Pitch	Roller diameter	Width between inner plates	Pin diameter	Pin length		Inner plate depth	Plate thickness	Tensile strength	Weight per meter
	P	d1 max	b1 min	d2 max	L max	Lc max	h2 max	t/T max	Q min	q
	mm	mm	mm	mm	mm	mm	mm	mm	kN/lbf	kg/m
M80K2F6 - P - 100	100.00	50.00	27.00	12.00	55.0	58.5	35.00	5.00	80.0/17994	10.50
M112K2F4 - P - 200	200.00	60.00	38.50	15.00	71.7	75.6	40.00	5.00	160.0/35988	13.50

带K4附件
With K4 attachment



Chain No.	P	b1	h4	F	K	W	L	G	d4
	mm	mm	mm	mm	mm	mm	mm	mm	mm
M112K4 - S - 100	100.00	32.00	31.50	96.00	146.00	176.00	70.00	140.00	12.00

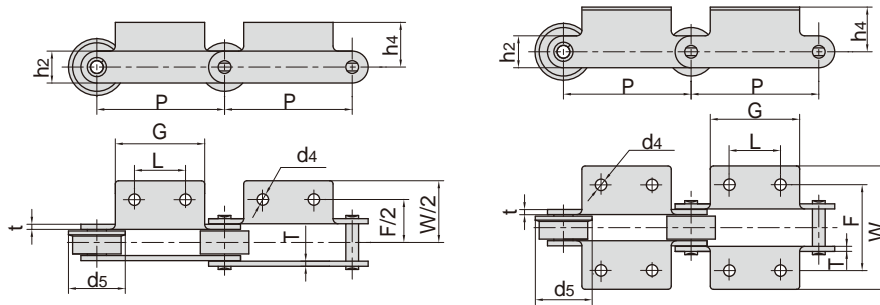
M系列带附板输送链 Conveyor chains with attachments (M series)



Chain No.	节距	滚子直径	内节内宽	销轴直径	销轴长度		抗拉强度	平均抗拉强度	每米长重
	Pitch	Roller diameter	Width between inner plates	Pin diameter	L max	Lc max	Tensile strength	Average tensile strength	Weight per meter
	P	d1 max	b1 min	d2 max	mm	mm	Q min	Q0	q
	mm	mm	mm	mm	mm	mm	kN/lbf	kN	kg/m
M18F1A1-P-50	50.0	25.0	11.5	5.72	26.0	28.2	18.0/4050	20.0	2.46
M18F2A1.02-P-50	50.0	25.0	11.5	5.72	28.0	30.2	18.0/4050	20.0	2.18
M18F2A1F1.32-P-50	50.0	25.0	11.5	5.70	28.0	30.2	18.0/4050	20.0	1.85
M18F4A1.02-S-50	50.0	15.0	12.0	6.00	24.0	26.5	18.0/4050	20.0	1.20
M18F8K1.03-P-50	50.0	25.0	11.5	5.72	26.0	28.2	18.0/4050	20.0	2.47
M20K1F2.02-S-50	50.0	12.5	16.0	6.00	31.0	33.5	20.0/4545	25.0	3.60
M20A2F1-S-50	50.0	12.5	16.0	6.00	31.0	33.5	20.0/4545	25.0	1.53
M28F1A2-P-80	80.0	29.4	18.0	7.00	35.4	38.7	28.0/6300	31.0	2.60
M28F3A2-P-63	63.0	30.0	17.0	7.00	37.3	40.3	35.0/7874	39.0	3.48
M28F3A2-F-100	100.0	30.0	17.0	7.00	37.3	40.3	35.0/7874	39.0	3.46
M32A1.02-P-50	50.0	31.0	15.0	10.00	33.0	35.5	32.0/7200	35.2	4.09
M32A1F1-P-50	50.0	31.0	15.0	10.00	33.0	35.5	32.0/7200	35.2	3.96
M32A1F2.02-PF1-50	50.0	36.0	14.8	10.00	32.6	35.5	35.0/7874	39.0	4.40
M35F4A1.01-C-69	69.0	25.0	12.0	7.00	27.5	30.0	35.0/7874	39.0	2.26
M40FA1.02-P-50	50.0	31.0	15.0	10.00	36.6	39.0	75.0/16872	82.5	4.52
M40FK2F1-P-50	50.0	31.0	15.0	10.00	36.6	39.0	40.0/8992	44.0	4.94
M40FA2-P-50	50.0	31.0	15.0	10.00	36.6	39.0	40.0/8992	44.0	4.54
M40FA1F1.02-P-50	50.0	31.0	15.0	10.00	36.6	39.0	40.0/8992	44.0	4.31
M40FA2F1.08-P-50	50.0	31.0	15.0	10.00	36.6	39.0	40.0/8992	44.0	4.08
M40F17A2-P-50.8	50.8	31.0	15.2	13.40	38.0	42.8	53.9/12127	59.2	4.90
M40F31A2.02-P-50.8	50.8	31.8	15.0	14.00	37.0	40.5	40.0/8992	44.0	4.60
M40F17K1.10-P-50.8	50.8	31.0	15.2	13.35	38.0	42.8	53.9/12127	59.2	4.60
M40F5A2-S-65	65.0	24.0	15.0	12.00	38.0	41.0	40.0/8992	44.0	4.74
M40F10-F-76.2	76.2	31.5	15.0	14.00	38.0	42.0	40.0/8992	44.0	4.16
M40A2F2-F-80	80.0	36.0	20.0	8.50	40.5	45.0	40.0/8992	44.0	4.98
M40F1-P-125	125.0	36.0	38.0	14.27	75.6	-	40.0/8992	44.0	10.18
M56F1-P-100	100.0	38.0	20.5	10.00	42.3	46.1	56.0/12727	61.0	4.63
M56F2-P-100	100.0	42.0	22.5	10.00	44.6	48.5	56.0/12727	61.0	5.67
M56F2-F-100	100.0	42.0	22.5	10.00	44.6	48.5	56.0/12727	61.0	5.88
M56F3-P-100	100.0	38.0	20.5	10.00	42.3	46.1	56.0/12727	61.0	4.72
M56F3-F.06-100	100.0	38.0	20.5	10.00	42.3	46.1	56.0/12727	61.0	4.70
M56F8-P-100	100.0	38.0	17.0	10.00	38.8	42.6	56.0/12727	61.0	3.79
M56F9-F1-100	100.0	38.0	20.5	10.00	46.3	50.1	88.2/19845	97.0	5.80
M56F23-F-100	100.0	42.0	24.0	10.00	44.6	49.5	56.0/12727	61.0	5.52
M56F38A2-P-100	100.0	36.0	15.2	10.00	37.0	40.8	56.0/12727	61.0	3.64
M56F6A2.02-PF1-100	100.0	38.0	17.0	10.00	38.8	42.6	56.0/12727	61.0	4.10
M56A2-P-125	125.0	42.0	24.0	10.00	46.0	49.5	56.0/12727	61.0	5.24
M56F26A2.02-F-125	125.0	42.0	24.0	10.00	46.0	49.5	56.0/12727	61.0	4.82
M75-P100	100.0	38.0	18.9	9.53	40.4	44.7	75.0/17045	83.0	4.85

M系列带附板输送链

Conveyor chains with attachments (M series)



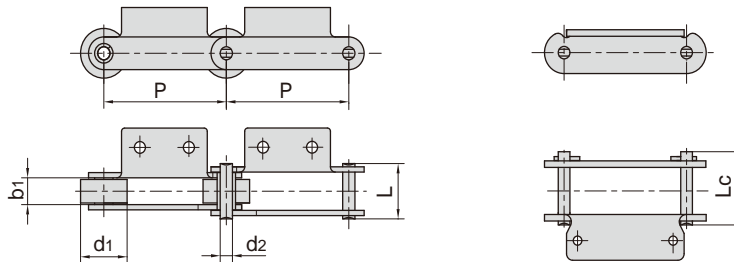
Chain No.	P	L	G	F	W	h4	h2	d4	t/T	d5
	mm	mm	mm	mm	mm	mm	mm	mm	mm	mm
M18F1A1-P-50	50.0		46.0	44.0	72.0	24.0	18.0	6.5	2.50	-
M18F2A1.02-P-50	50.0		41.0	48.0	68.0	25.0	15.0	6.5	3.00	-
M18F2A1F1.32-P-50	50.0		42.0	44.6	64.6	22.5	15.0	6.0	3.00	-
M18F4A1.02-S-50	50.0		30.0	50.0	83.0	20.0	15.0	8.0	2.03	-
M18F8K1.03-P-50	50.0		46.0	44.0	66.6	24.0	18	8.5	2.50	-
M20K1F2.02-S-50	50.0		20.0	54.0	75.0	16.0	18.0	6.6	2.50	-
M20A2F1-S-50	50.0	20.0	35.0	52.0	80.0	13.0	18.0	8.1	2.50	-
M28F1A2-P-80	80.0	25.0	45.8	66.0	91.6	11.8	20.5	8.8	3.25	-
M28F3A2-P-63	63.0	20.0	50.0	64.0	92.0	20.0	20.0	9.0	4.00	-
M28F3A2-F-100	100.0	40.0	76.0	64.0	100.0	20.0	20.0	9.0	4.00	40.0
M32A1.02-P-50	50.0		60.0	62.0	97.0	35.0	23.0	10.0	3.00	-
M32A1F1-P-50	50.0		30.0	62.0	92.0	28.0	23.0	10.0	3.00	-
M32A1F2.02-PF1-50	50.0		60.0	62.0	97.0	16.5	23.0	10.0	3.00	-
M35F4A1.01-C-69	69.0		60.0	50.0	74.0	25.5	19.0	7.0	2.50	-
M40FA1.02-P-50	50.0		60.0	70.0	98.0	17.5	25.0	10.0	4.00	-
M40FK2F1-P-50	50.0	30.0	60.0	67.5	100.0	17.0	25.0	9.0	4.00	-
M40FA2-P-50	50.0	30.0	45.0	93.0	136.0	14.5	25.0	6.5	4.00	-
M40FA1F1.02-P-50	50.0		35.0	54.0	104.0	20.5	25.0	10.5	4.00	-
M40FA2F1.08-P-50	50.0	25.0	45.0	90.0	122.0	22.0	25.0	8.5	4.00	-
M40F17A2-P-50.8	50.8	30.0	55.0	66.0	92.0	18.0	25.0	10.2	5.00/4.00	-
M40F31A2.02-P-50.8	50.8	19.0	40.0	64.0	100.0	19.0	26.3	8.0	4.00	-
M40F17K1.10-P-50.8	50.8		55.0	66.0	92.0	18.0	25.0	10.2	5.00/4.00	-
M40F5A2-S-65	65.0	25.0	45.0	90.0	122.0	24.5	30.0	8.5	4.00	-
M40F10-F-76.2	76.2	22.2	38.3	76.2	106.5	19.0	26.0	9.4	4.00	40.0
M40A2F2-F-80	80.0	20.0	50.0	70.0	112.0	35.0	25.0	9.0	3.50	45.0
M40F1-P-125	125.0	50.0	90.0	100.0	140.0	36.0	50.0	13.0	6.00	-
M56F1-P-100	100.0	40.0	70.0	67.5	96.6	35.0	25.0	9.0	4.00	-
M56F2-P-100	100.0	29.7	50.0	124.0	148.0	21.5	32.0	7.0	4.00	-
M56F2-F-100	100.0	29.7	50.0	124.0	148.0	21.5	32.0	7.0	4.00	50.0
M56F3-P-100	100.0	50.0	70.0	71.0	101.0	35.0	25.0	9.0	4.00	-
M56F3-F.06-100	100.0	50.0	70.0	71.0	101.0	35.0	25.0	9.0	4.00	44.5
M56F8-P-100	100.0		70.0	63.8	95.0	25.0	25.0	8.2	4.00	-
M56F9-F1-100	100.0	40.0	70.0	68.0	96.6	25.0	32.0	9.0	5.00	45.0
M56F23-F-100	100.0	40.0	70.0	71.4	100.6	35.0	25.0	9.0	4.00	50.0
M56F38A2-P-100	100.0	40.0	60.0	70.0	100.0	20.0	25.0	9.0	4.00	-
M56F6A2.02-PF1-100	100.0	40.0	70.0	71.5	92.0	55.0	25.0	6.5	4.00	-
M56A2-P-125	125.0	50.0	75.0	88.0	128.0	30.0	30.0	11.0	4.00	-
M56F26A2.02-F-125	125.0	50.0	75.0	88.0	128.0	30.0	30.0	9.0	4.00	50.0
M75-P100	100.0	40.0	70.0	64.0	112.0	24.9	26.0	9.0	4.00	-

附板带一个孔

Attachments with 1 hole

M系列带附板输送链

Conveyor chains with attachments (M series)

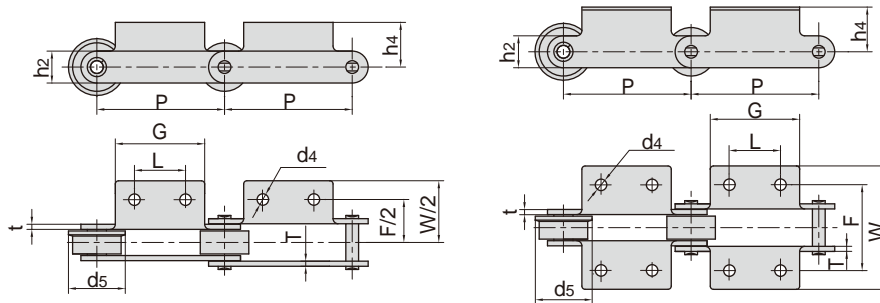


Chain No.	节距	滚子直径	内节内宽	销轴直径	销轴长度		抗拉强度	平均抗拉强度	每米长重
	Pitch	Roller diameter	Width between inner plates	Pin diameter	L max	Lc max	Tensile strength	Average tensile strength	Weight per meter
	P	d1 max	b1 min	d2 max	mm	mm	Q min	Q0	q
	mm	mm	mm	mm	mm	mm	kN/lbf	kN	kg/m
M75-P100F1	100.0	38.0	18.9	9.53	38.4	42.7	75.0/17045	83.0	4.01
M75-P100F3	100.0	28.5	23.9	11.10	46.3	50.3	75.0/17045	83.0	4.53
M75F4-P-100	100.0	38.0	18.9	9.53	40.4	44.7	75.0/17045	83.0	4.62
M75-PF1-100	100.0	19.1	18.9	9.53	40.4	44.7	75.0/17045	75.0	3.43
M80K1F1-P-100	100.0	50.0	28.0	12.00	55.0	58.5	80.0/18000	88.0	9.10
*M80K2F1-B-100	100.0	18.0	28.0	12.00	55.0	58.5	80.0/18000	88.0	5.94
*M80F5K1-B-100	100.0	18.0	28.0	12.00	55.0	58.5	80.0/18000	88.0	5.45
M80A2F1-F-160	160.0	50.0	29.0	12.00	65.0	-	80.0/18000	88.0	7.45
M80F43K2-P-200	200.0	50.0	28.0	12.00	55.0	59.0	80.0/18000	88.0	7.90
M112F5K2-P-100	100.0	36.0	37.0	16.00	69.0	74.0	112.0/25200	123.2	8.28
M112A2F18.04-P-100	100.0	60.0	31.0	15.00	64.0	73.0	112.0/25200	123.2	11.80
*M112K2F2-B-100	100.0	21.0	32.0	15.00	64.5	69.0	112.0/25200	123.2	7.53
M112F38A2.04-P-100	100.0	60.0	32.0	15.00	64.5	69.0	112.0/25200	123.2	12.74
M112F16K1-P-125	125.0	60.0	32.0	15.00	68.5	73.0	112.0/25200	123.2	13.00
M112K2F1-S-125	125.0	30.0	32.0	16.00	64.5	69.0	112.0/25200	123.2	7.35
M112F9A2-F-180	180.0	50.0	32.0	15.00	64.5	69.0	160.0/35993	176.0	10.30
M112F3-F-200	200.0	60.0	37.0	16.00	69.0	74.0	112.0/25200	123.2	11.00
M112A2F21-F-315	315.0	60.0	32.0	15.00	65.0	70.0	112.0/25200	123.2	8.50
M160F1K2-P-100	100.0	36.0	36.0	18.00	76.0	80.0	160.0/35993	176.0	10.80
*M160F1K2.03-B-100	100.0	18.0	36.0	18.00	76.0	80.0	160.0/35993	176.0	9.73
M160F12K2-S-100	100.0	36.0	38.0	14.00	76.0	-	100.0/22496	110.0	9.33
*M160F2-B-100	100.0	25.0	37.0	18.00	73.3	83.0	222.0/49940	244.2	11.36
M160F25K2.04-B-100	100.0	25.0	37.0	18.00	73.3	79.5	160.0/36364	176.0	10.83
*M160F41K2-B-100	100.0	36.0	37.0	18.00	73.3	79.5	160.0/35993	176.0	14.75
*M160F55K2-B-100	100.0	25.0	37.0	18.00	-	86.0	160.0/35993	176.0	15.04
M160F3K1F1-P-101.6	101.6	66.7	26.0	26.90	58.0	78.5	156.0/35093	171.6	17.37
M160A2F1.02-P-152.4	152.4	66.7	25.4	26.90	58.0	68.0	160.0/35993	176.0	12.55
M160A2F7-F-200	200.0	70.0	37.0	18.00	85.0	-	181.8/40905	200.0	15.20
M160A2F8-F-200	200.0	70.0	37.0	18.00	85.0	-	181.8/40905	200.0	15.23
M160K2F2-S-200	200.0	36.0	36.0	18.00	76.0	80.0	160.0/36364	176.0	11.40
M160A2F8-F-200	200.0	70.0	37.0	18.00	85.0	-	181.8/40905	200.0	15.20
M224F6A2-P-160	160.0	85.0	42.0	21.00	87.5	92.5	224.0/50909	246.5	27.56
M224F29A2-F-200	200.0	85.0	43.0	21.00	85.0	91.0	224.0/50909	246.0	21.60
M224F1K2-P-200	200.0	85.0	42.0	21.00	95.0	-	224.0/50909	246.0	21.20
M224F42K2-S-200	200.0	42.0	44.0	21.00	-	99.0	224.0/50909	246.0	17.20
M315F22A2-F-400	400.0	100.0	56.0	25.00	109.8	115.3	315.0/70815	346.5	26.60
M315K2F1-P-250	250.0	50.0	47.0	25.00	98.9	105.0	315.0/70815	346.5	20.60
M450F26A2-F-400	400.0	100.0	56.0	30.00	111.0	118.0	315.0/70815	346.5	27.60

*套筒链：表中滚子直径d1为套筒直径

*Bush chain: d1 in the table indicates the external diameter of the bush.

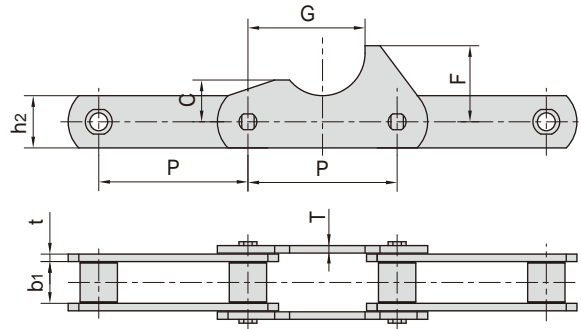
M系列带附板输送链 Conveyor chains with attachments (M series)



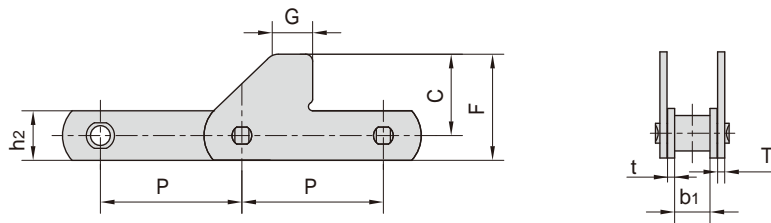
Chain No.	P	L	G	F	W	h4	h2	d4	t/T	d5
	mm	mm	mm	mm	mm	mm	mm	mm	mm	mm
M75-P100F1	100.0	40.0	70.0	64.0	112.0	24.4	26.0	9.0	3.50	-
M75-P100F3	100.0	50.0	70.0	75.7	96.7	35.0	26.0	9.7	4.00	-
M75F4-P-100	100.0	40.0	70.0	90.0	112.4	24.9	26.0	8.5	4.00	-
M75-PF1-100	100.0	40.0	70.0	64.0	112.0	24.9	26.0	9.0	4.00	-
M80K1F1-P-100	100.0		30.0	96.0	138.0	35.0	35.0	11.0	5.00	-
M80K2F1-B-100	100.0	70.0	100.0	96.0	130.0	35.0	35.0	11.0	5.00	-
M80F5K1-B-100	100.0		60.0	100.0	156.0	23.2	35.0	13.0 × 17.0	5.00	-
M80A2F1-F-160	160.0	60.0	95.0	94.0	124.0	27.5	35.0	9.0	5.00	60.0
M80F43K2-P-200	200.0	80.0	120.0	96.0	130.0	35.0	35.0	11.0	5.00	-
M112F5K2-P-100	100.0	35.0	65.0	98.5	140.0	40.0	40.0	14.0	6.00	-
M112A2F18.04-P-100	100.0	30.0	60.0	100.0	130.0	33.0	36.0	9.0	6.00	-
M112K2F2-B-100	100.0	30.0	60.0	100.0	130.0	30.0	40.0	9.0	6.00	-
M112F38A2.04-P-100	100.0	35.0	70.0	110.0	160.0	40.0	40.0	14.0	6.00	-
M112F16K1-P-125	125.0		72.0	120.0	184.0	39.0	40.0	13.0	7.00	-
M112K2F1-S-125	125.0	80.0	110.0	85.8	115.8	35.0	40.0	13.0	6.00	-
M112F9A2-F-180	180.0	100.0	130.0	110.0	160.0	40.0	40.0	14.0	6.00	60.0
M112F3-F-200	200.0	90.0	120.0	102.0	137.5	40.0	45.0	11.0	6.00	75.0
M112A2F21-F-315	315.0	160.0	200.0	110.0	160.0	40.0	40.0	14.0	6.00	70.0
M160F1K2-P-100	100.0	40.0	80.0	124.0	183.0	35.0	40.0	14.0	7.00	-
M160F1K2.03-B-100	100.0	40.0	80.0	124.0	283.0	35.0	40.0	14.0	7.00	-
M160F12K2-S-100	100.0	30.0	70.0	100.0	120.0	35.0	40.0	13.0	5.60	-
M160F2-B-100	100.0		110.0	125.0	155.0	45.0	50.0	17.0	7.00	-
M160F25K2.04-B-100	100.0	40.0	80.0	124.0	180.0	45.0	50.0	14.0	7.00	-
M160F41K2-B-100	100.0	40.0	80.0	124.0	180.0	45.0	55.0	14.0	7.00	-
M160F55K2-B-100	100.0	40.0	80.0	124.0	200.0	43.0	50.0	14.0	8.00	-
M160F3K1F1-P-101.6	101.6		56.0	175.0	204.0	38.0	51.0	11.0	7.1/5.1	-
M160A2F1.02-P-152.4	152.4	38.0	64.0	120.0	154.0	30.0	50.0	10.5	7.1/5.1	-
M160A2F7-F-200	200.0	85.0	115.0	124.0	170.0	45.0	51.0	14.0	7.00	85.0
M160A2F8-F-200	200.0	80.0	115.0	124.0	170.0	45.0	51.0	12.0	7.00	85.0
M160K2F2-S-200	200.0	100.0	180.0	103.0	133.0	45.0	51.0	9.0	7.00	-
M160A2F8-F-200	200.0	80.0	115.0	124.0	170.0	45.0	51.0	12.0	7.00	85.0
M224F6A2-P-160	160.0	80.0	125.0	136.0	182.0	62.0	72.0	17.0	8.00	-
M224F29A2-F-200	200.0	50.0	100.0	170.0	200.0	45.0	60.0	13.0	8.00	100.0
M224F1K2-P-200	200.0	80.0	120.0	128.0	168.0	40.0	50.0	14.0	9.00	-
M224F42K2-S-200	200.0	60.0	100.0	142.0	180.0	54.0	62.0	15.0	8.00	-
M315F22A2-F-400	400.0	200.0	250.0	160.0	207.6	70.0	70.0	18.0	10.00	120.0
M315K2F1-P-250	250.0	60.0	100.0	127.0	168.0	57.0	82.0	14.0	10.00	-
M450F26A2-F-400	400.0	200.0	250.0	160.0	207.6	70.0	75.0	18.0	10.00	119.0

附板带一个孔
Attachments with 1 hole

M系列带附板输送链
 Conveyor chains with attachments (M series)

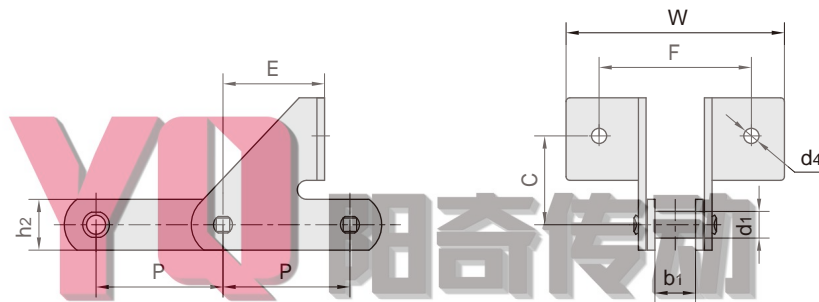


Chain Nb.	P	b1	h2	t/T	C	F	G
	mm	mm	mm	mm	mm	mm	mm
M80F29-S-100	100.00	28.00	35.00	5.00	28.00	51.00	78.50



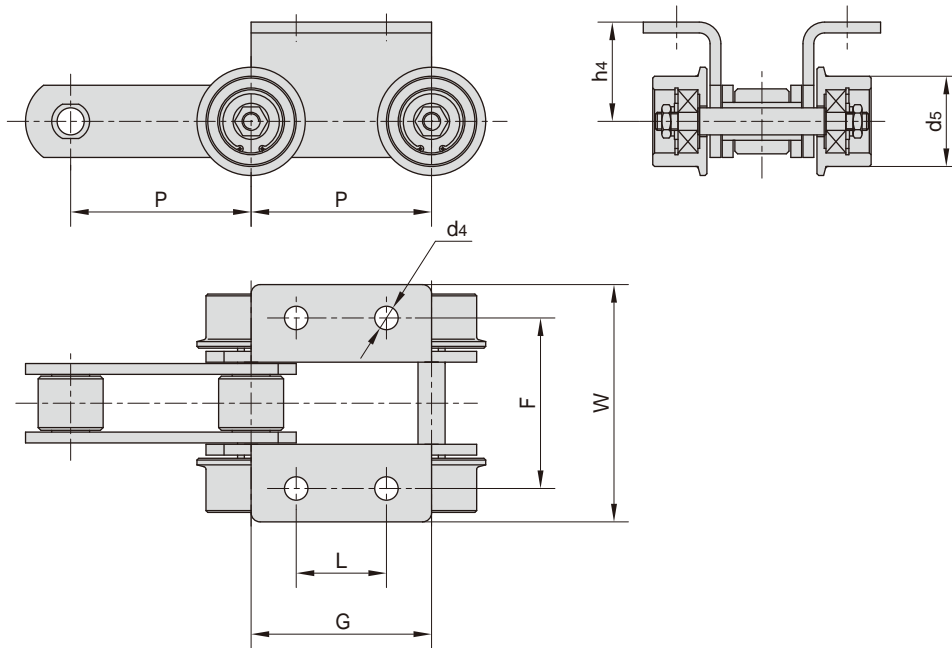
Chain Nb.	P	b1	h2	t/T	C	F	G
	mm	mm	mm	mm	mm	mm	mm
M80F41-P-100	100.00	28.00	35.00	5.00	40.00	75.00	29.00

带SD附件
 With SD attachment

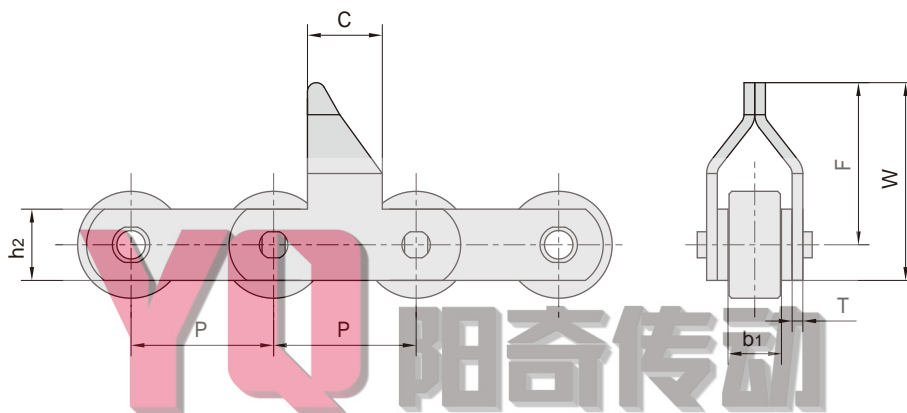


Chain Nb.	P	d1	b1	h2	C	E	F	W	d4
	mm	mm	mm	mm	mm	mm	mm	mm	mm
M112F52SD-B-100	100.00	21.00	32.00	40.00	70.00	80.00	120.00	172.00	12.00

M系列带附板输送链
Conveyor chains with attachments (M series)

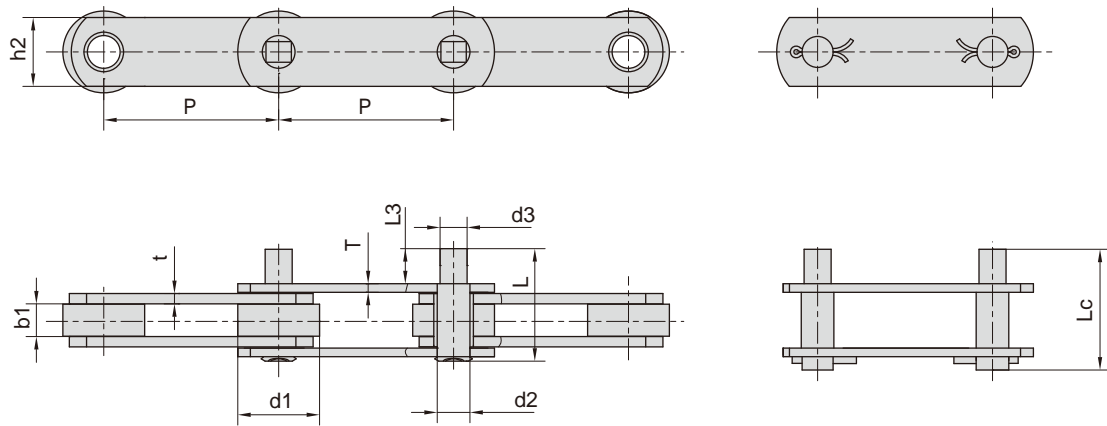


Chain No.	P	L	G	F	W	h4	d4	d5
	mm	mm	mm	mm	mm	mm	mm	mm
M112F34-P-100	100.00	50.00	100.00	95.00	130.00	55.00	13.00	50.00



Chain No.	P	b1	h2	T	C	F	W
	mm	mm	mm	mm	mm	mm	mm
M112F39-P-80	80.00	32.00	40.00	6.00	42.00	91.00	111.00

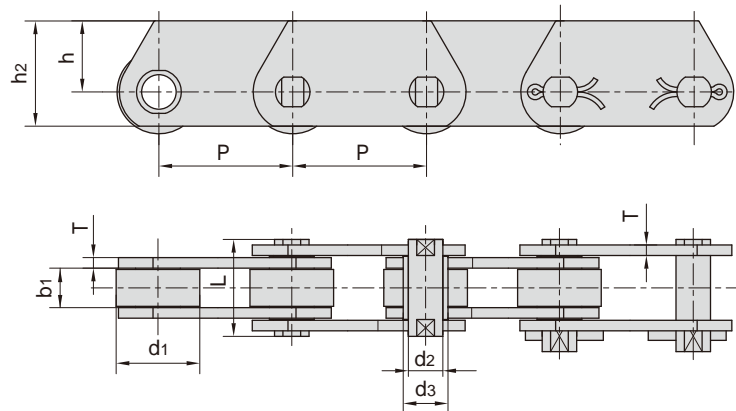
M系列带加长销输送链 Conveyor chains with extended pins (M series)



Chain No.	节距 Pitch	滚子直径 Roller diameter	内节内宽 Width between inner plates	销轴直径 Pin diameter	加长销尺寸 Extended pin dimension		销轴长度 Pin length		内链板高度 Inner plate depth	链板厚度 Plate thickness
	P	d1 max	b1 min	d2 max	d3 max	L3	L max	Lc max	h2 max	t/T max
	mm	mm	mm	mm	mm	mm	mm	mm	mm	mm
M18F7-D3-P-75	75.00	25.00	11.50	5.72	12.00	30.0	56.6	58.9	20.0	3.0
M20D1F1.02-P-80	80.00	25.00	16.00	6.00	6.00	25.5	54.7	57.2	18.0	2.5
M75-D3-P-100	100.00	38.00	18.95	9.53	11.00	38.0	76.2	80.5	26.0	4.0
M20-D1F2.02-P-80	80.00	25.00	16.00	6.00	6.00	27.8	57.0	59.5	18.0	2.5
M35F1-P-35	35.00	20.00	16.00	7.00	10.00	30.0	59.0	61.9	18.0	2.5
M35F7-D1-P-35	35.00	20.00	16.00	8.00	10.00	25.0	56.0	-	18.0	3.0
M100F11-P-101.6-D3	101.60	47.50	19.00	19.00	15.70	20.0	66.3	71.5	40.0	6.0/5.0
M100-P-152.4-D3	152.40	47.50	19.00	19.00	18.25	84.8	127.5	132.7	40.0	5.0/4.0
M100-P-203.2-D3	203.20	47.50	19.00	19.00	18.25	84.8	127.5	132.7	40.0	5.0/4.0
M160F58-D1.04-P-125	125.00	70.00	34.00	18.00	18.00	71.6	104.0	-	52.0	8.0

Chain No.	抗拉强度 Tensile strength	平均抗拉强度 Average tensile strength	每米长重 Weight per meter
	Q min	Q0 min	q
	kN/bf	kN	kg/m
M18F7-D3-P-75	18.0/4050	20.00	2.14
M20D1F1.02-P-80	20.0/4545	25.00	1.65
M75-D3-P-100	75.0/16870	82.50	3.61
M20-D1F2.02-P-80	20.0/4545	22.00	1.65
M35F1-P-35	35.0/7874	39.00	2.47
M35F7-D1-P-35	35.0/7874	39.00	2.77
M100F11-P-101.6-D3	150.0/33722	165.00	7.60
M100-P-152.4-D3	100.0/22496	110.00	6.36
M100-P-203.2-D3	100.0/22496	110.00	5.49
M160F58-D1.04-P-125	160.0/36364	176.00	17.70

MT系列输送链 Conveyor chains (MT series)



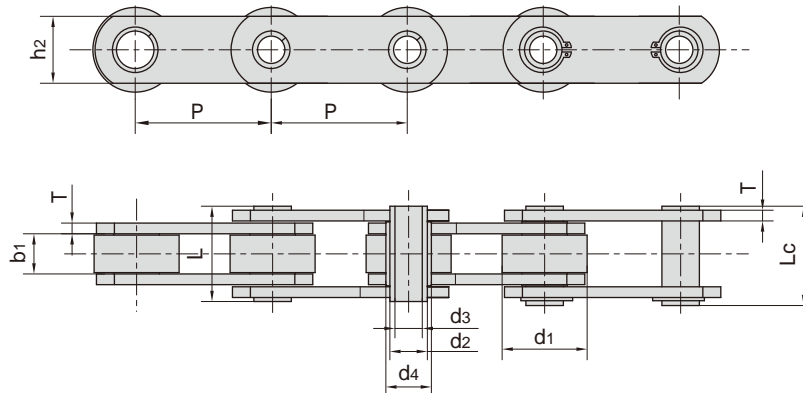
DIN 链号 DIN Chain No.	节距 Pitch					滚子直径 Roller diameter	销轴直径 Pin diameter	套筒直径 Bush diameter	链板厚度 Plate thickness
	P					d1 max	d2 max	d3 max	T max
	mm					mm	mm	mm	mm
MT20	40.0	50.0	63.0	80.0	100.0	25.0	6.0	9.0	2.5
MT28	50.0	63.0	80.0	100.0	125.0	30.0	7.0	10.0	3.0
MT40	63.0	80.0	100.0	125.0	160.0	36.0	8.5	12.5	3.5
MT56	63.0	80.0	100.0	125.0	160.0	42.0	10.0	15.0	4.0
MT80	80.0	100.0	125.0	160.0	200.0	50.0	12.0	18.0	5.0
MT112	80.0	100.0	125.0	160.0	200.0	60.0	15.0	21.0	6.0
MT160	100.0	125.0	160.0	200.0	250.0	70.0	18.0	25.0	7.0
MT224	125.0	160.0	200.0	250.0	315.0	85.0	21.0	30.0	8.0
MT315	160.0	200.0	250.0	315.0	400.0	100.0	25.0	36.0	10.0
MT450	200.0	250.0	315.0	400.0	500.0	120.0	30.0	42.0	12.0

DIN 链号 DIN Chain No.	内节内宽 Width between inner plates	销轴长度 Pin length	链板高度 Plate depth		抗拉强度 Tensile strength	
	b1 min	L max	h2 max	h max	Q min	*Q min
	mm	mm	mm	mm	kN/lbf	kN/lbf
MT20	16.0	35.0	25.0	16.0	20.0/4545	32.0/7270
MT28	18.0	40.0	30.0	20.0	28.0/6364	42.0/9545
MT40	20.0	45.0	35.0	22.5	40.0/9091	60.0/13635
MT56	24.0	52.0	45.0	30.0	56.0/12727	85.0/19318
MT80	28.0	62.0	50.0	32.5	80.0/18182	125.0/28408
MT112	32.0	73.0	60.0	40.0	112.0/25454	175.0/39768
MT160	37.0	85.0	70.0	45.0	160.0/36364	260.0/59090
MT224	43.0	98.0	90.0	60.0	224.0/50909	340.0/77272
MT315	48.0	112.0	100.0	65.0	315.0/71591	520.0/118180
MT450	56.0	135.0	120.0	80.0	450.0/102272	700.0/159089

*Q 表示热处理后的抗拉强度

*Q denotes the tensile strength after hardened

MC系列空心销轴输送链 Hollow pin conveyor chains (MC series)

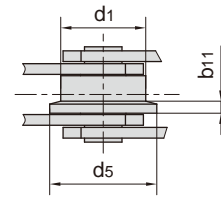
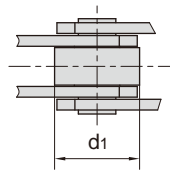
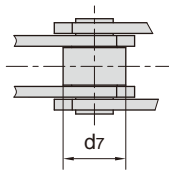
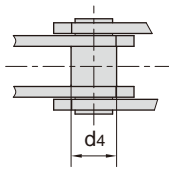


无滚子
without rollers

带S型小滚子
with S small rollers type

带P型大滚子
with P large rollers type

带F型带肩滚子
with F flanged rollers type



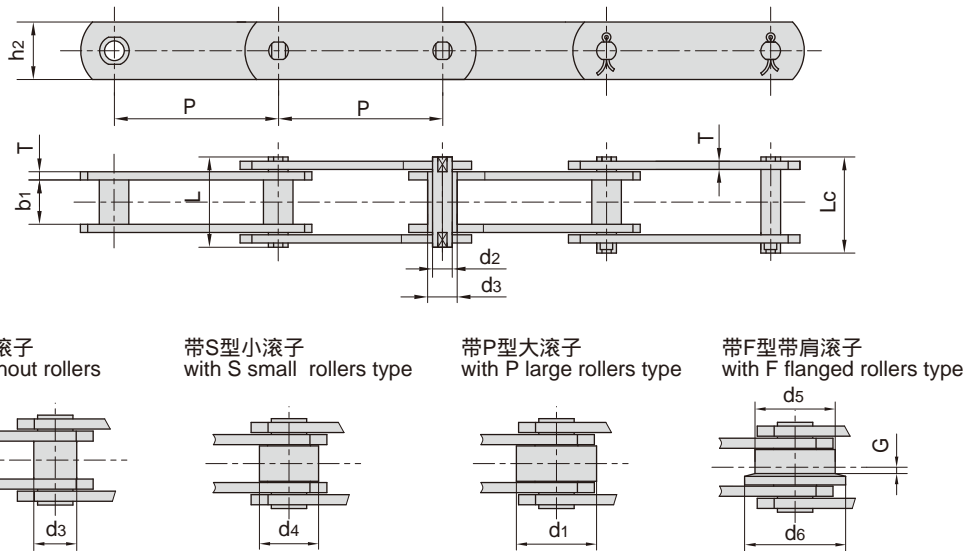
DIN 链号 DIN Chain No.	节距 Pitch						滚子尺寸 Roller dimesion				套筒直径 Bush diameter	链板高度 Plate depth
	P						d1 max	d7 max	d5 max	b11	d4 max	h2 max
	mm						mm	mm	mm	mm	mm	mm
MC28	63.0	80.0	100.0	125.0	160.0	-	36.0	25.0	45.0	4.5	17.5	25.0
MC56	80.0	100.0	125.0	160.0	200.0	250.0	50.0	30.0	60.0	5.0	21.0	35.0
MC112	100.0	125.0	160.0	200.0	250.0	315.0	70.0	42.0	85.0	7.0	29.0	50.0
MC224	160.0	200.0	250.0	315.0	400.0	500.0	100.0	60.0	120.0	10.0	41.0	70.0

DIN 链号 DIN Chain No.	内节内宽 Width between inner plates	销轴直径 Pin diameter		销轴长度 Pin length		链板厚度 Plate thickness	抗拉强度 Tensile strength	
	b1 min	d2 max	d3 min	L max	Lc max	T max	Q min	*Q min
	mm	mm	mm	mm	mm	mm	kN/lbf	kN/lbf
MC28	20.0	13.0	8.2	36.0	38.5	3.5	28.0/6364	40.0/9091
MC56	24.0	15.5	10.2	45.0	47.5	4.0	56.0/12727	90.0/20454
MC112	32.0	22.0	14.3	62.5	64.3	6.0	112.0/25454	180.0/40908
MC224	43.0	31.0	20.3	83.0	85.5	8.0	224.0/50909	350.0/79544

*Q 表示热处理后的抗拉强度

*Q denotes the tensile strength after hardened

FV系列输送链 Conveyor chains (FV series)



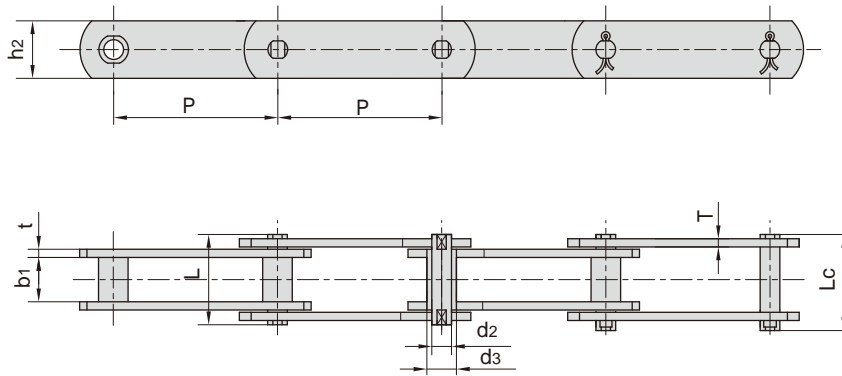
DIN 链号 DIN Chain No.	节距 Pitch							滚子尺寸 Roller dimension					套筒直径 Bush diameter
	P							d1 max	d4 max	d5 max	d6 max	G	d3 max
	mm	mm	mm	mm	mm	mm	mm	mm	mm	mm	mm	mm	
FV40	50.0	63.0	80.0	100.0	125.0	-	-	32.0	20.0	40.0	50.0	4.0	15.0
FV63	50.0	63.0	80.0	100.0	125.0	160.0	-	40.0	26.0	50.0	63.0	5.0	18.0
FV90	63.0	80.0	100.0	125.0	160.0	200.0	250.0	48.0	30.0	63.0	78.0	6.5	20.0
FV112	80.0	100.0	125.0	160.0	200.0	250.0	-	55.0	32.0	72.0	90.0	7.5	22.0
FV140	63.0	100.0	125.0	160.0	200.0	250.0	-	60.0	36.0	80.0	100.0	9.0	26.0
FV180	100.0	125.0	160.0	200.0	250.0	315.0	-	70.0	42.0	100.0	125.0	13.0	30.0
FV250	125.0	160.0	200.0	250.0	315.0	400.0	-	80.0	50.0	125.0	155.0	15.0	36.0
FV315	160.0	200.0	250.0	315.0	400.0	-	-	90.0	60.0	140.0	175.0	18.0	42.0

DIN 链号 DIN Chain No.	内节内宽 Width between inner plates	销轴直径 pin diameter	销轴长度 Pin length		链板高度 Plate depth	链板厚度 Plate thickness	抗拉强度 Tensile strength	
	b1 min	d2 max	L min	Lc max	h2 max	T max	Q min	*Q min
	mm	mm	mm	mm	mm	mm	kN/lbf	kN/lbf
FV40	18.0	10.0	36.0	39.0	25.0	3.0	40.0/9091	47.0/10681
FV63	22.0	12.0	45.0	48.5	30.0	4.0	63.0/14317	75.0/17045
FV90	25.0	14.0	53.0	56.5	35.0	5.0	90.0/20453	115.0/26136
FV112	30.0	16.0	62.0	66.0	40.0	6.0	112.0/25452	170.0/38636
FV140	35.0	18.0	67.0	71.5	45.0	6.0	140.0/31815	180.0/40908
FV180	45.0	20.0	86.0	92.0	50.0	8.0	180.0/40908	250.0/56817
FV250	55.0	26.0	97.0	103.5	60.0	8.0	250.0/56817	300.0/68181
FV315	65.0	30.0	113.0	126.5	70.0	10.0	315.0/71591	480.0/109089

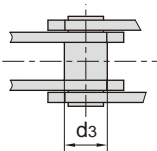
*Q 表示热处理后的抗拉强度

*Q denotes the tensile strength after hardened

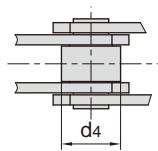
FV系列输送链 Conveyor chains (FV series)



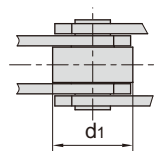
无滚子
without rollers



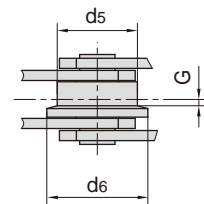
带S型小滚子
with S small rollers type



带P型大滚子
with P large rollers type

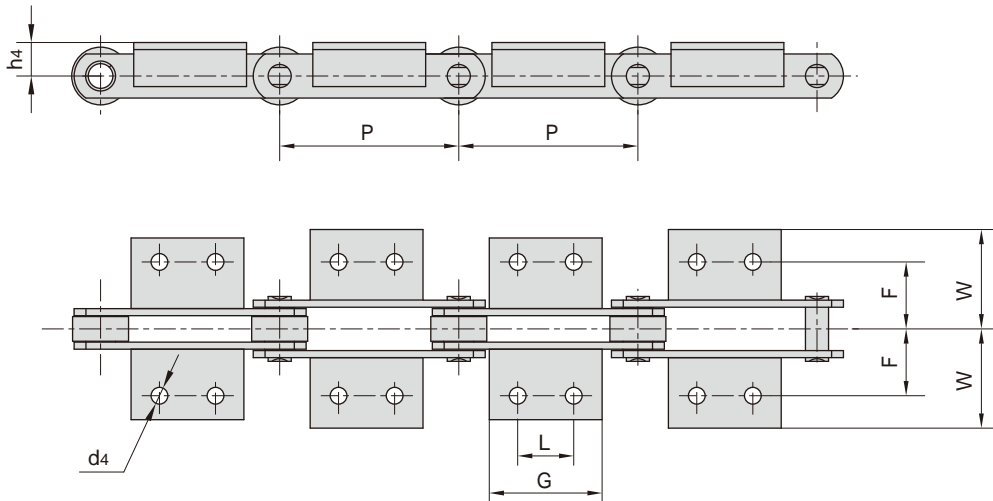


带F型带肩滚子
with F flanged rollers type



Chain No.	节距 Pitch P	滚子直径 Roller diameter						销轴直径 Pin diameter d2 max	销轴长度 Pin length		链板高度 Plate depth h2 max	链板厚度 Plate thickness t/T max	抗拉强度 Tensile strength Q min	每米长重 Weight per meter q
		d1 max	d3 max	d4 max	d5 max	d6 max	G		L max	Lc max				
		mm	mm	mm	mm	mm	mm		mm	mm				
FV40F3-P-63	63.0	32.0	-	-	-	-	-	10.0	38.1	41.5	45.0	4.0	80.0/17985	2.13
FV63F11-P-100	100.0	40.0	-	-	-	-	-	14.0	37.0	-	30.0	4.0	60.0/13488	3.89
FV63F12-P-125	125.0	40.0	-	-	-	-	-	10.0	44.5	48.0	30.0	4.0	63.0/14162	3.84
FV90-B-50	50.0	-	20.0	-	-	-	-	14.0	52.0	56.4	35.0	5.0	90.0/20453	6.10
FV90F9-B-100	100.0	-	20.0	-	-	-	-	14.0	60.2	64.6	35.0	6.0/8.0	90.0/20453	6.00
FV90F10-B-100	100.0	-	20.0	-	-	-	-	14.0	60.2	64.6	40.0	6.0/8.0	90.0/20453	6.83
FV112-S-63	63.0	-	-	32.0	-	-	-	16.0	63.0	67.5	40.0	6.0	112.0/25454	8.80
FV140-B-80	80.0	-	26.0	-	-	-	-	18.0	67.0	72.5	45.0	6.0	140.0/31473	8.55
FV140-PF1-125	125.0	65.0	-	-	-	-	-	18.0	67.0	71.5	45.0	6.0	140.0/31473	12.76
FV140F27-F-125	125.0	-	-	-	30.0	93.5	9.5	18.0	68.4	73.0	45.0	6.4	140.0/31473	17.00
FV180-B-150	150.0	-	30.0	-	-	-	-	20.0	85.5	92.0	50.0	8.0	180.0/40492	8.24

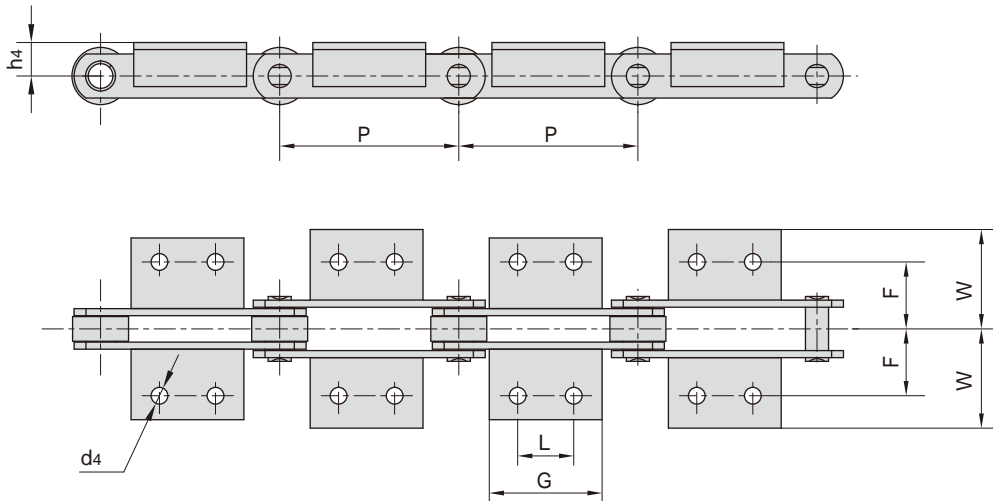
FV系列带附板输送链
Conveyor chains with attachments (FV series)



DIN 链号 DIN Chain No.	P	L	G	d4	F	W	h4
	mm	mm	mm	mm	mm	mm	mm
FV40	50.0		45.0	6.5	25.0	40.5	20.0
	63.0		31.0				
	80.0	25.0	45.0				
	100.0	30.0	50.0				
	125.0	30.0	60.0				
FV63	63.0		40.0	8.4	34.0	50.0	30.0
	80.0	25.0	45.0				
	100.0	30.0	50.0				
	125.0	40.0	60.0				
	160.0	50.0	70.0				
FV90	63.0		30.0	8.4	40.0	64.0	35.0
	80.0	25.0	45.0				
	100.0	30.0	50.0				
	125.0	40.0	60.0				
	160.0	50.0	70.0				
	200.0	60.0	80.0				
	250.0	65.0	85.0				
FV112	100.0	30.0	50.0	11.0	50.0	70.0	40.0
	125.0	40.0	65.0				
	160.0	50.0	75.0				
	200.0	65.0	90.0				
	250.0	80.0	105.0				

附板带一个孔
Attachments with 1 hole

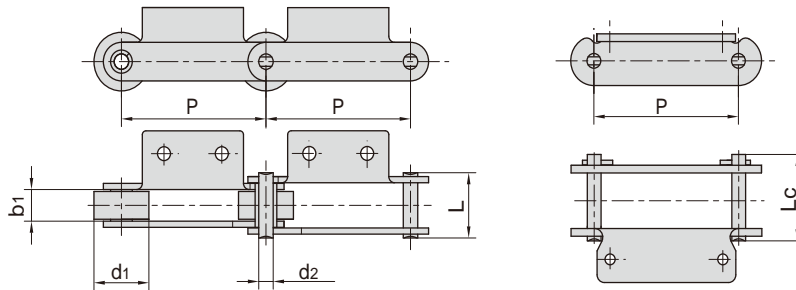
FV系列带附板输送链
 Conveyor chains with attachments (FV series)



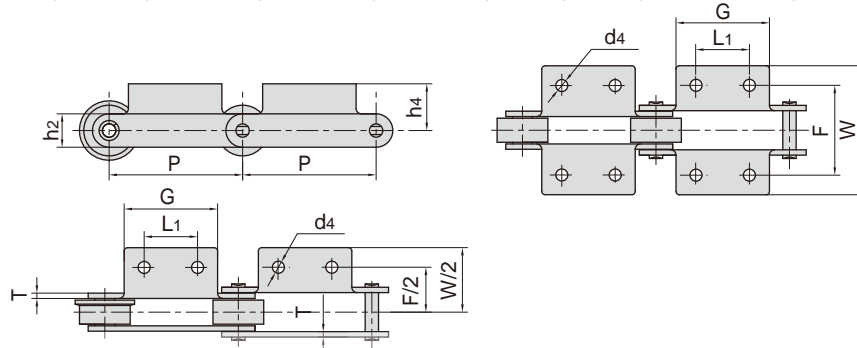
DIN 链号 DIN Chain No.	P	L	G	d4	F	W	h4
	mm	mm	mm	mm	mm	mm	mm
FV140	100.0	30.0	55.0	11.0	50.0	81.0	45.0
	125.0	40.0	65.0				
	160.0	50.0	75.0				
	200.0	65.0	90.0				
	250.0	80.0	105.0				
FV180	125.0	35.0	63.0	13.0	64.0	91.0	45.0
	160.0	50.0	80.0				
	200.0	65.0	95.0				
	250.0	80.0	110.0				
	315.0	100.0	130.0				
FV250	160.0	50.0	80.0	14.0	69.0	106.0	55.0
	200.0	65.0	95.0				
	250.0	80.0	110.0				
	315.0	100.0	130.0				
	400.0	100.0	130.0				
FV315	160.0	50.0	80.0	14.0	85.0	130.0	60.0
	200.0	65.0	95.0				
	250.0	80.0	110.0				
	315.0	100.0	130.0				
	400.0	100.0	130.0				

附板带一个孔
 Attachments with 1 hole

FV系列带附板输送链 Conveyor chains with attachments (FV series)



Chain No.	节距 Pitch	滚子直径 Roller diameter	内节内宽 Width between inner plates	销轴直径 Pin diameter	销轴长度 Pin length		抗拉强度 Tensile strength	平均抗拉强度 Average tensile strength	每米长重 Weight per meter
	P	d1 max	b1 min	d2 max	L max	Lc max	Q min	Q0	q
	mm	mm	mm	mm	mm	mm	kN/lbf	kN	kg/m
FV40A2.02-P-40	40.00	32.00	18.00	10.00	36.0	40.0	40.0/8992	44.0	4.98
FV63A2F4-S-100	100.00	26.00	22.00	12.00	46.0	50.0	63.0/14172	69.3	3.95
FV90A2F1-P-85	85.00	50.00	25.00	14.00	52.0	56.5	90.0/20250	100.0	10.15
FV90A2F1-P-100	100.00	50.00	25.00	14.00	52.0	56.5	90.0/20250	100.0	8.74
FV112F1A1-P-100	100.00	55.00	30.00	16.00	71.0	76.5	180.0/40492	200.0	14.30
FV112F1A1-P-80	80.00	55.00	30.00	16.00	71.0	76.5	180.0/40492	200.0	16.60
FV112F14A2-P-125	125.00	55.00	30.00	16.00	63.0	67.5	112.0/25454	123.2	10.0
FV180F21A2-P-160	160.00	80.00	45.00	20.00	-	90.0	180.0/40492	200.0	20.4
FV250K2F8-P-250	250.00	80.00	55.00	26.00	-	107.5	250.0/56817	275.0	22.6



Chain No.	P	L1	G	F	W	h4	h2	d4	T
	mm	mm	mm	mm	mm	mm	mm	mm	mm
FV40A2.02-P-40	40.00	17.00	30.00	60.0	90.0	20.0	25.0	6.4	3.00
FV63A2F4-S-100	100.00	30.00	50.00	86.0	106.0	20.0	30.0	10.0	4.00
FV90A2F1-P-85	85.00	40.00	60.00	80.0	109.2	40.0	35.0	9.5	5.00
FV90A2F1-P-100	100.00	40.00	60.00	80.0	109.2	40.0	35.0	9.5	5.00
FV112F1A1-P-100	100.00	50.00	120.00	164.0	164.0	50.0	40.0	15.0	8.00
FV112F1A1-P-80	80.00	50.00	120.00	164.0	164.0	50.0	40.0	15.0	8.00
FV112F14A2-P-125	125.00	40.00	65.00	100.0	130.0	40.0	40.0	11.0	6.00
FV180F21A2-P-160	160.00	50.00	80.00	140.0	180.0	40.0	50.0	14.0	8.00
FV250K2F8-P-250	250.00	80.00	120.00	140.0	191.0	50.0	60.0	14.0	8.00

附板带一个孔
Attachments with 1 hole