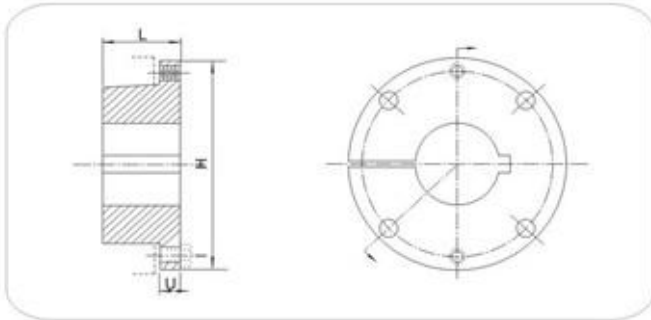


XTB BUSHINGS



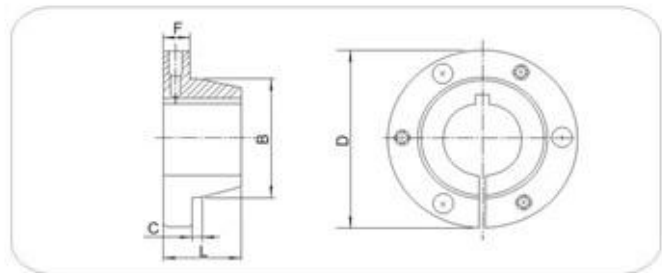
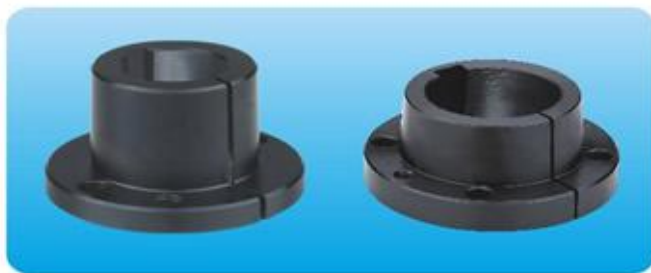
※ Standard Stock Bores and keyseat ※

Bushing Part No.	Stock Bores	Keyseat
XTB15	5/8", 3/4", 7/8"	3/16 × 3/32"
	1", 1 1/8", 1 3/16", 1 1/4"	1/4 × 1/8
	1 7/16", 1 1/2"	3/8 × 1/8
XTB20	3/4", 1 1/16", 1 1/4", 1 7/16", 1 1/2", 1 11/16", 1 5/8", 2"	3/16 × 3/32
		1/4 × 1/8
		3/8 × 3/16
XTB25	1 1/16", 1 1/4", 1 7/16", 1 1/2", 1 11/16", 1 3/4", 1 15/16", 2 3/16", 2 7/16"	1/4 × 1/8
		3/8 × 3/16
		1/2 × 1/4
XTB30	1 7/16", 1 1/2", 1 11/16", 1 15/16", 2 3/16", 2 7/16", 2 11/16", 2 15/16"	5/8 × 1/8
		3/8 × 3/16
		1/2 × 1/4
XTB35	1 15/16", 2 3/16", 2 7/16", 2 11/16", 2 15/16", 3 7/16"	5/8 × 5/16
		1/2 × 1/4
		3/4 × 3/16
XTB40	2 15/16", 3 7/16", 4 7/16"	5/8 × 3/8
		3/4 × 3/8
		7/8 × 5/16
XTB45	2 7/16", 2 15/16", 3 7/16", 3 15/16", 3 7/16"	7/8 × 5/16
		1 × 3/8
		7/8 × 7/16
XTB50	3 15/16", 4 7/16", 4 15/16"	1 × 1/2
		1 × 3/8
		1 1/4 × 5/8
XTB60	5 7/16", 5 1/2", 5 15/16", 6"	1 1/4 × 5/8
		1 1/2 × 3/4
		1 1/2 × 3/4
XTB70	6 7/16", 6 1/2", 6 15/16", 7"	1 3/4 × 3/4
		1 3/4 × 3/4
		1 3/4 × 3/4
XTB80	7 1/5", 7 15/16", 8", 8 1/2", 9"	2 × 3/4
		2 × 3/4
		2 1/2 × 7/8
XTB100	9 7/16", 9 1/2", 10", 10 1/2", 11", 11 1/2", 12"	3 × 1

※ XTB Bushing Specifications ※

Bushing Part No.	Dimensions			Cap Screws		Wt. Lbs.
	L	U	H	No.	Size	
XTB15	1 1/8"	3/8"	2 7/8"	4	1/4" × 1"	.7
XTB20	1 13/32	15/32	3 3/4	4	5/16 × 1 1/4	1.5
XTB25	1 7/8	5/8	4 7/16	4	3/8 × 1 3/4	2.6
XTB30	2 1/16	1 1/16	5 5/16	4	7/16 × 1 1/2	4.2
XTB35	2 15/32	25/32	6 5/16	4	1/2 × 1 3/4	7.4
XTB40	2 13/16	7/8	7 1/8	4	9/16 × 2	10.5
XTB45	3 5/16	15/16	8	4	5/8 × 2 1/4	14.8
XTB50	3 3/4	1	10 1/8	4	3/4 × 2 1/2	27.8
XTB60	4 1/8	1 1/8	11 15/16	4	7/8 × 2 1/2	42.8
XTB70	4 11/16	1 5/16	13 15/16	4	1 × 3	66.3
XTB80	5 1/8	1 3/8	15 5/8	4	1 1/8 × 3 1/2	85.7
XTB100	6 3/16	1 9/16	17 15/16	6	1 1/8 × 3 1/2	146.0
XTB120	7 1/16	1 3/4	20 5/8	8	1 1/8 × 3 1/2	216.0

QD-BUSHINGS



※ Bushing Specifications ※

Bushing	Bore Range	Dimensions					No.	Capscrews		Average Weight Lbs.
		D	L	B	C	F		Size		
JA	1/2" - 1 1/4"	2"	29/32"	1.375"	3/16"	5/16"	3	10-24 × 1	.8	
SH	1/2-1 5/8	2 11/16	17/32	1.871	7/32	7/16	3	1/4-20 × 13/8	1.0	
SDS	1/2-2	3 1/8	15/16	2.1875	7/32	7/16	3	1/4-20 × 13/8	1.2	
SD	1/2-2	3 1/8	1 13/16	2.1875	7/32	7/16	3	1/4-20 × 17/8	1.5	
SK	1/2-2 5/8	3 7/8	1 3/4	2.8125	7/32	9/16	3	5/16-18 × 2	2.0	
SF	1/2-2 15/16	4 5/8	2 1/16	3.125	7/32	9/16	3	3/8-16 × 2	3.5	
E	7/8-3 1/2	6	2 21/32	3.834	9/32	3/4	3	1/2-13 × 2 3/4	9.0	
F	1-4	6 5/8	3 3/4	4.4375	11/32	1	3	9/16-12 × 35/8	14	
J	1 1/2-4 1/2	7 1/4	4 5/8	5.1484	5/16	1 1/8	3	5/8-11 × 4 1/2	22	
M	2-5 1/2	9	6 3/4	6.494	11/32	1 1/4	4	3/4-10 × 6 3/4	51	
N	2 7/16-5 7/8	10	8 1/8	6.992	9/16	1 1/2	4	7/8-9 × 8	66	
P	2 15/16-7	11 3/4	9 3/4	8.242	5/8	1 3/4	4	1-8 × 9 1/2	122	