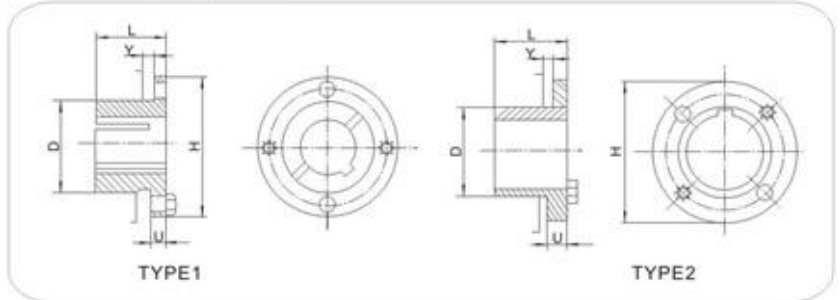


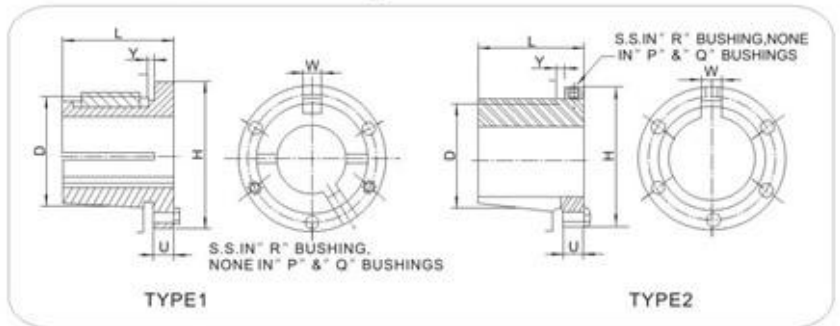
SPLIT TAPER BUSHINGS (B.M.BUSHINGS)



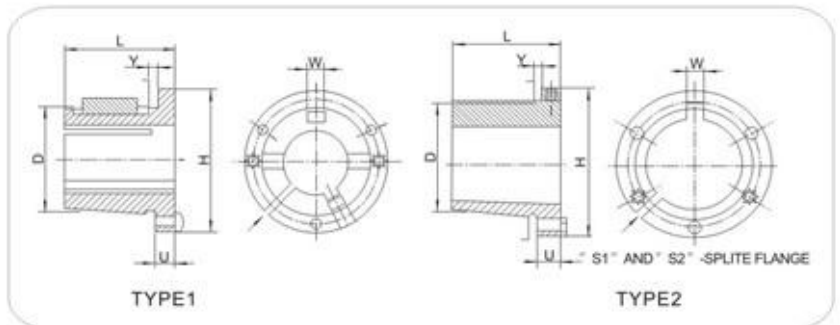
※ G & H Bushings ※



※ “P”, “Q”, “R” Bushings ※



※ “S” & “U” Bushings ※



Part No.	Dimensions						Bore Range		Cap Screws		Av. Wt. Lbs.
	L	U	D		H	W	TYPE1	TYPE2	No.	Size	
G	1"	1/4"	1.172"	1.133"	2"	-	3/8" - 15/16"	1"	2	1/4" x 5/8"	.5
H	1 1/4	1/4	1.625	1.570	2 1/2	-	3/8-13/8	1 7/16-1 1/2	2	1/4 x 3/4	.8
P1	1 15/16	13/32	1.9375	1.8555	3	3/8"	1/2-17/16	1 1/2-1 3/4	3	5/16 x 1	1.3
P2	2 15/16	13/32	1.9375	1.7930	3	3/8	3/4-17/16	1 1/2-1 3/4	3	5/16 x 1	1.5
Q1	2 1/2	17/32	2.875	2.7657	4 1/8	1/2	3/4-2 1/16	2 1/8-2 1/16	3	3/8 x 1 1/4	3.5
Q2	3 1/2	17/32	2.875	2.7032	4 1/8	1/2	1-2 1/16	2 1/8-2 5/8	3	3/8 x 1 1/4	4.5
R1	2 7/8	5/8	4.000	3.8750	5 3/8	3/4	1 1/8-2 13/16	2 1/8-3 3/4	3	3/8 x 1 3/4	7.5
R2	4 7/8	5/8	4.000	3.7500	5 3/8	3/4	1 3/8-2 13/16	2 7/8-3 3/8	3	3/8 x 1 3/4	11
S1	4 3/8	3/4	4.625	4.4180	6 3/8	3/4	1 11/16-3 3/16	3 1/4-4 1/4	3	1/2 x 2 1/4	13.5
S2	6 3/4	3/4	4.625	4.2696	6 3/8	3/4	1 7/8-3 3/16	3 1/4-4 3/16	3	1/2 x 2 1/4	19
U0	5 1/4	1 1/16	6.000	5.7656	8 3/8	1 1/4	2 3/8-3 1/16	4 3/8-5 1/2	3	5/8 x 2 3/4	30
U1	7 1/8	1 1/16	6.000	5.6485	8 3/8	1 1/4	2 3/4-4 1/4	4 3/8-5 1/2	3	5/8 x 2 3/4	40