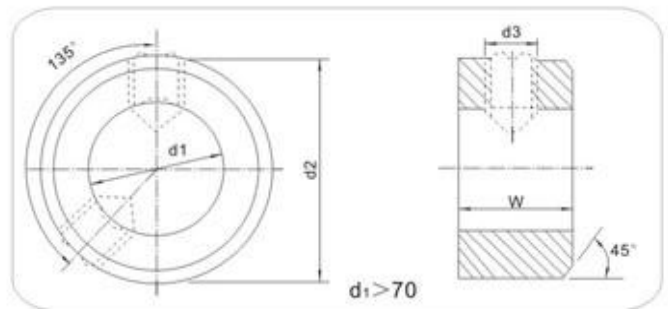
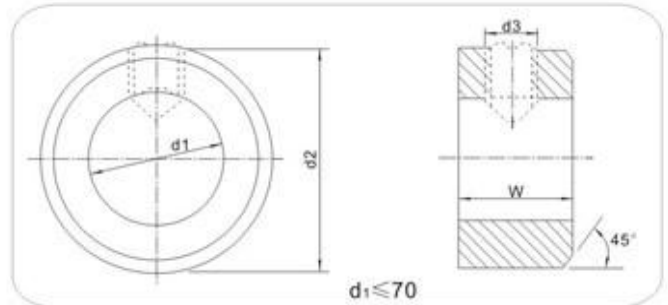


MILLIMETER SET COLLARS

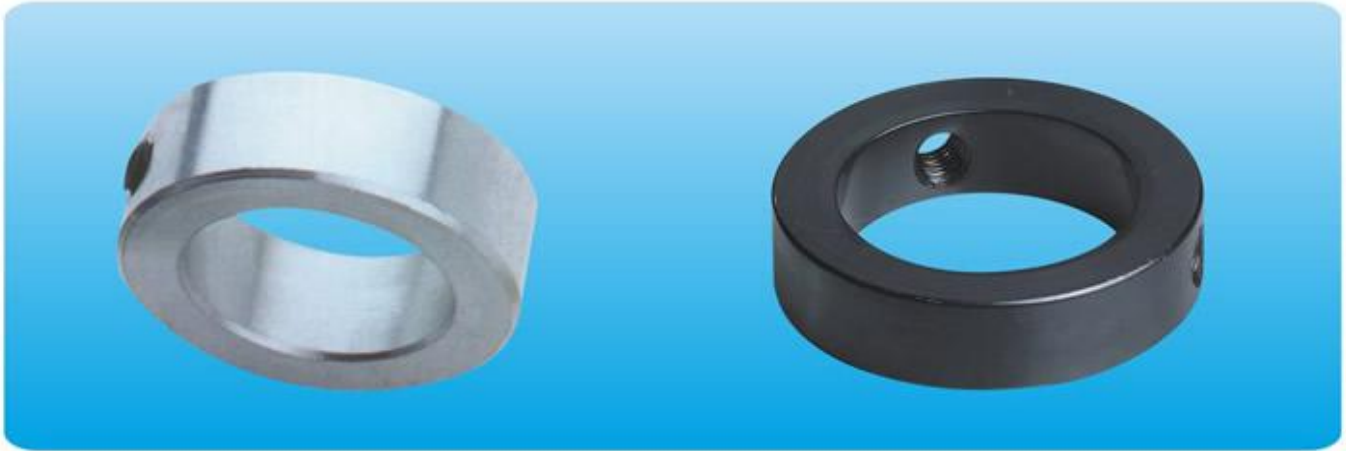
※ Zinc Plated Steel and Stainless Steel ※



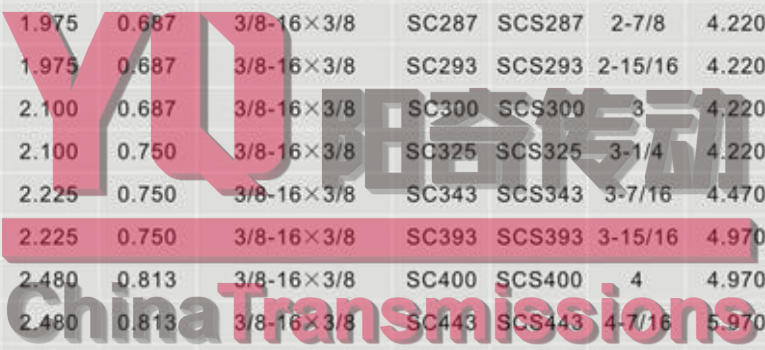
Part No.	Inside Diameter d1	Outside Diameter d2	Width W	Set Screw d3
2	2.0	6	2.5	M2×2.5
2.5	2.5	7	4.0	M2×3
3	3.0	7	5.0	M2×3
3.5	3.5	8	5.0	M2.5×4
4	4.0	8	5.0	M2.5×4
4.5	4.5	10	6.0	M3×4
5	5.0	10	6.0	M3×4
5.5	5.5	12	6.0	M4×5
6	6.0	12	8.0	M4×5
7	7.0	12	8.0	M4×5
8	8.0	16	8.0	M4×5
9	9.0	18	10.0	M5×8
10	10.0	20	10.0	M5×8
11	11.0	20	10.0	M5×8
12	12.0	22	12.0	M6×8
13	13.0	22	12.0	M6×8
14	14.0	25	12.0	M6×8
15	15.0	25	12.0	M6×8
16	16.0	28	12.0	M6×8
18	18.0	32	14.0	M6×8
20	20.0	32	14.0	M6×8
22	22.0	36	14.0	M6×10
24	24.0	40	16.0	M8×10
25	25.0	40	16.0	M8×10
26	26.0	40	16.0	M8×10
28	28.0	45	16.0	M8×10
30	30.0	45	16.0	M8×10
32	32.0	50	16.0	M8×12
34	34.0	50	16.0	M8×12
35	35.0	56	16.0	M8×12
36	36.0	56	16.0	M8×12
38	38.0	56	16.0	M8×12

Part No.	Inside Diameter d1	Outside Diameter d2	Width W	Set Screw d3
40	40.0	63	18.0	M10×16
42	42.0	63	18.0	M10×16
45	45.0	70	18.0	M10×16
48	48.0	70	18.0	M10×16
50	50.0	80	18.0	M10×16
52	52.0	80	18.0	M10×16
55	55.0	80	18.0	M10×16
56	56.0	80	18.0	M10×16
58	58.0	80	20.0	M10×16
60	60.0	90	20.0	M10×16
63	63.0	90	20.0	M10×16
65	65.0	100	20.0	M10×16
68	68.0	100	20.0	M10×16
70	70.0	100	20.0	M10×16
72	72.0	110	22.0	M12×20
75	75.0	110	22.0	M12×20
80	80.0	110	22.0	M12×20
85	85.0	125	22.0	M12×20
90	90.0	125	22.0	M12×20
95	95.0	140	25.0	M12×20
100	100.0	140	25.0	M12×25
110	110.0	160	25.0	M12×25
120	120.0	160	25.0	M12×25
125	125.0	180	28.0	M16×25
130	130.0	180	28.0	M16×25
140	140.0	200	28.0	M16×30
150	150.0	200	28.0	M16×30
160	160.0	220	32.0	M20×35
170	170.0	250	32.0	M20×40
180	180.0	250	32.0	M20×40
190	190.0	280	32.0	M20×45
200	200.0	280	32.0	M20×45

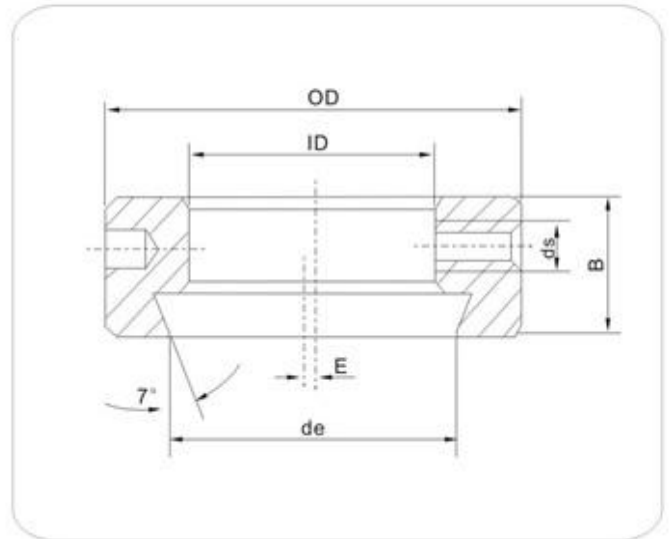
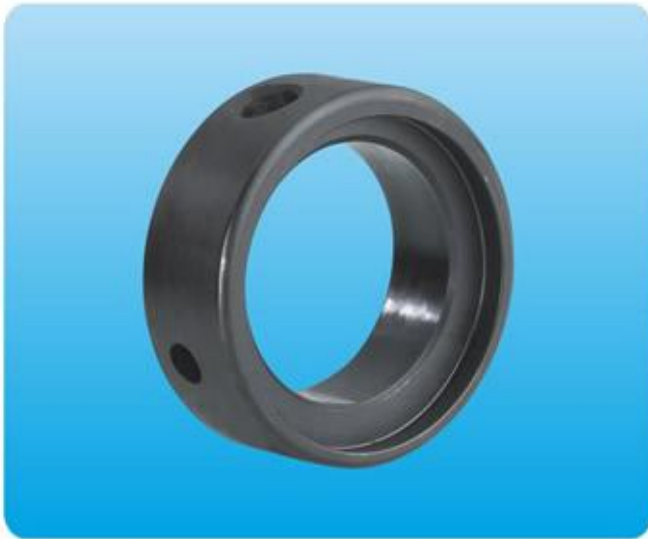
INCH SET COLLARS



Part No.		BORE inch	O.D. inch	WIDTH inch	CAP SCREW SIZE	PART NUMBERS		BORE inch	O.D. inch	WIDTH inch	SET SCREW SIZE
S.	S.S.					S.	S.S.				
SC012	SCS012	1/8	0.355	0.250	6-32×1/8	SC175	SCS175	1-3/4	2.720	0.875	1/2-13×1/2
SC018	SCS018	3/16	0.418	0.250	8-32×1/8	SC181	SCS181	1-13/16	2.720	0.875	1/2-13×1/2
SC025	SCS025	1/4	0.480	0.281	10-32×1/8	SC187	SCS187	1-7/8	2.720	0.875	1/2-13×1/2
SC031	SCS031	5/16	0.605	0.313	10-32×1/8	SC193	SCS193	1-15/16	2.975	0.875	1/2-13×1/2
SC037	SCS037	3/8	0.730	0.375	1/4-20×3/16	SC200	SCS200	2	2.975	0.875	1/2-13×1/2
SC043	SCS043	7/16	0.855	0.437	1/4-20×1/4	SC212	SCS212	2-1/8	2.975	0.875	1/2-13×1/2
SC050	SCS050	1/2	0.980	0.437	1/4-20×1/4	SC218	SCS218	2-3/16	3.225	0.937	1/2-13×1/2
SC056	SCS056	9/16	0.980	0.437	1/4-20×1/4	SC225	SCS225	2-1/4	3.225	0.937	1/2-13×1/2
SC062	SCS062	5/8	1.105	0.500	5/16-18×1/4	SC231	SCS231	2-5/16	3.225	0.937	1/2-13×1/2
SC068	SCS068	11/16	1.230	0.562	5/16-18×1/4	SC237	SCS237	2-3/8	3.225	0.937	1/2-13×1/2
SC075	SCS075	3/4	1.230	0.562	5/16-18×1/4	SC243	SCS243	2-7/16	3.470	1.000	1/2-13×1/2
SC081	SCS081	13/16	1.480	0.562	5/16-18×1/4	SC250	SCS250	2-1/2	3.470	1.000	1/2-13×1/2
SC087	SCS087	7/8	1.480	0.562	5/16-18×5/16	SC256	SCS256	2-9/16	3.720	1.125	1/2-13×9/16
SC093	SCS093	15/16	1.605	0.562	5/16-18×5/16	SC262	SCS262	2-5/8	3.720	1.125	1/2-13×9/16
SC100	SCS100	1	1.605	0.625	5/16-18×5/16	SC268	SCS268	2-11/16	3.970	1.125	1/2-13×5/8
SC106	SCS106	1-1/16	1.730	0.625	5/16-18×5/16	SC275	SCS275	2-3/4	3.970	1.125	1/2-13×5/8
SC112	SCS112	1-1/8	1.730	0.625	5/16-18×5/16	SC281	SCS281	2-13/16	3.970	1.125	1/2-13×5/8
SC118	SCS118	1-3/16	1.975	0.687	3/8-16×3/8	SC287	SCS287	2-7/8	4.220	1.125	1/2-13×5/8
SC125	SCS125	1-1/4	1.975	0.687	3/8-16×3/8	SC293	SCS293	2-15/16	4.220	1.125	1/2-13×5/8
SC131	SCS131	1-5/16	2.100	0.687	3/8-16×3/8	SC300	SCS300	3	4.220	1.125	1/2-13×5/8
SC137	SCS137	1-3/8	2.100	0.750	3/8-16×3/8	SC325	SCS325	3-1/4	4.220	1.125	1/2-13×5/8
SC143	SCS143	1-7/16	2.225	0.750	3/8-16×3/8	SC343	SCS343	3-7/16	4.470	1.125	1/2-13×5/8
SC150	SCS150	1-1/2	2.225	0.750	3/8-16×3/8	SC393	SCS393	3-15/16	4.970	1.125	1/2-13×5/8
SC156	SCS156	1-9/16	2.480	0.813	3/8-16×3/8	SC400	SCS400	4	4.970	1.125	1/2-13×5/8
SC162	SCS162	1-5/8	2.480	0.813	3/8-16×3/8	SC443	SCS443	4-7/16	5.970	1.375	5/8-11×3/4
SC168	SCS168	1-11/16	2.480	0.813	3/8-16×3/8	SC493	SCS493	4-15/16	6.400	1.375	5/8-11×3/4



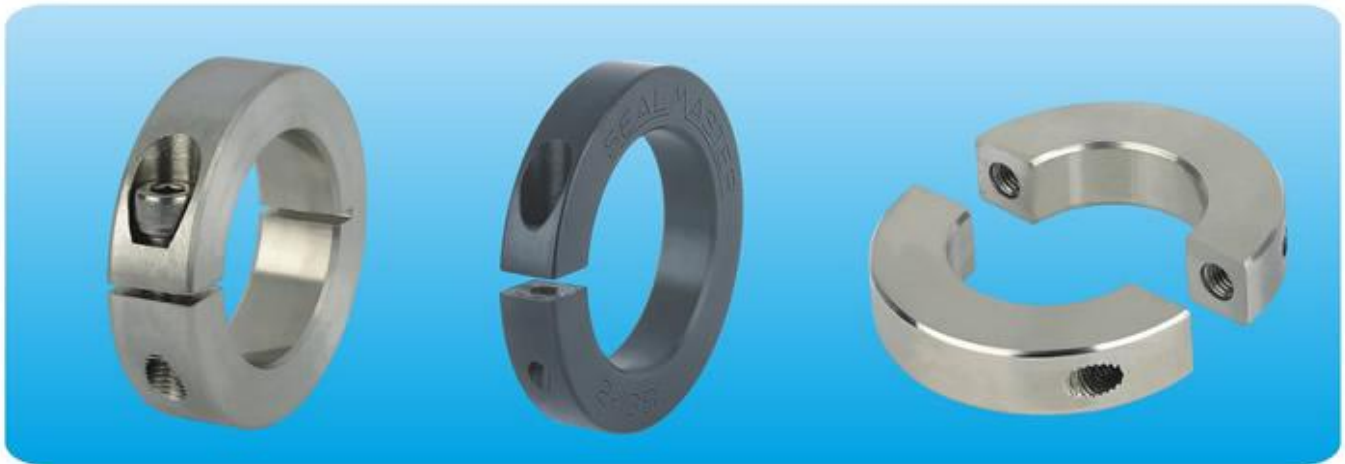
ECCENTRIC COLLARS



Part No.	Shaft Ref.	ID	de	E	OD	B	ds
EC4-12		19.2	26.55	0.7	32	13.5	1/4-28UNF
EC5-16		22.55	31.75	0.7	38.1	13.5	1/4-28UNF
202	SA202	15	22.1	0.8	28.6	13.5	1/4-28UNF
202-10	SA202-10	15.875	22.1	0.8	28.6	13.5	1/4-28UNF
204	SA204 NA204	20	26.6	0.8	33.3	13.5	1/4-28UNF
204-12	SA204-12 NA204-12	19.05	26.6	0.8	33.3	13.5	1/4-28UNF
205	SA205 NA205	25	31.6	0.8	38.1	13.5	1/4-28UNF
205-14	SA205-14 NA205-14	22.225	31.6	0.8	38.1	13.5	1/4-28UNF
205-15	SA205-15 NA205-15	23.813	31.6	0.8	38.1	13.5	1/4-28UNF
205-16	SA205-16 NA205-16	25.4	31.6	0.8	38.1	13.5	1/4-28UNF
206	SA206 NA206	30	37.9	0.8	44.5	15.9	5/16-24UNF
206-17	SA206-17 NA206-17	26.988	37.9	0.8	44.5	15.9	5/16-24UNF
206-18	SA206-18 NA206-18	28.575	37.9	0.8	44.5	15.6	5/16-24UNF
206-19	SA206-19 NA206-19	30.163	37.9	0.8	44.5	15.9	5/16-24UNF
206-20	SA206-20 NA206-20	31.75	37.9	0.8	44.5	15.9	5/16-24UNF
207	SA207 NA207	35	44.7	0.8	55.6	17.5	5/16-24UNF
207-20	SA207-20 NA207-20	31.75	44.7	0.8	55.6	17.5	5/16-24UNF
207-21	SA207-21 NA207-21	33.338	44.7	0.8	55.6	17.5	5/16-24UNF
207-22	SA207-22 NA207-22	34.925	44.7	0.8	55.6	17.5	5/16-24UNF
207-23	SA207-23	36.512	44.7	0.8	55.6	17.5	5/16-24UNF

YQ 阳奇传动
China Transmissions

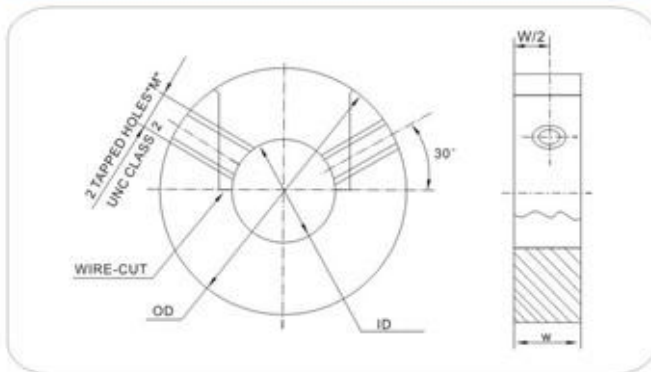
INCH SET SPLIT COLLARS



Part No.		BORE inch	O.D. inch	WIDTH inch	CAP SCREW SIZE	PART NUMBERS		BORE inch	O.D. inch	WIDTH inch	CAP SCREW SIZE
Single	Double					Single	Double				
SC012S	SC012D	1/8	1/2	1/4	4-40×3/8	SC175S	SC175D	1-3/4	2-3/4	11/16	5/16-24 ×7/8
SC018S	SC018D	3/16	5/8	5/16	4-40×3/8	SC181S	SC181D	1-13/16	2-7/8	11/16	5/16-24 ×7/8
SC025S	SC025D	1/4	11/16	5/16	4-40×3/8	SC187S	SC187D	1-7/8	2-7/8	11/16	5/16-24 ×7/8
SC031S	SC031D	5/16	11/16	5/16	4-40×3/8	SC193S	SC193D	1-15/16	3	11/16	5/16-24 ×7/8
SC037S	SC037D	3/8	7/8	11/32	6-32×3/8	SC200S	SC200D	2	3	11/16	5/16-24 ×7/8
SC043S	SC043D	7/16	15/16	3/8	6-32×3/8	SC212S	SC212D	2-1/16	3-1/8	3/4	5/16-24 ×7/8
SC050S	SC050D	1/2	1-1/8	13/32	8-32×1/2	SC218S	SC218D	2-1/8	3-1/4	3/4	5/16-24 ×7/8
SC056S	SC056D	9/16	1-1/4	7/16	10-32×1/2	SC225S	SC225D	2-3/16	3-1/4	3/4	5/16-24 ×7/8
SC062S	SC062D	5/8	1-5/16	7/16	10-32×1/2	SC231S	SC231D	2-1/4	3-1/4	3/4	5/16-24 ×7/8
SC068S	SC068D	11/16	1-3/8	7/16	10-32×1/2	SC237S	SC237D	2-5/16	3-3/8	3/4	5/16-24 ×7/8
SC075S	SC075D	3/4	1-1/2	1/2	1/4-28×5/8	SC243S	SC243D	2-3/8	3-1/2	3/4	5/16-24 ×7/8
SC081S	SC081D	13/16	1-5/8	1/2	1/4-28×5/8	SC250S	SC250D	2-7/16	3-1/2	3/4	5/16-24 ×7/8
SC087S	SC087D	7/8	1-5/8	1/2	1/4-28×5/8	SC256S	SC256D	2-1/2	3-3/4	7/8	3/8-24×7/8
SC093S	SC093D	15/16	1-3/4	1/2	1/4-28×5/8	SC262S	SC262D	2-9/16	3-7/8	7/8	3/8-24×7/8
SC100S	SC100D	1	1-3/4	1/2	1/4-28×5/8	SC268S	SC268D	2-5/8	3-7/8	7/8	3/8-24×7/8
SC106S	SC106D	1-1/16	1-7/8	1/2	1/4-28×5/8	SC275S	SC275D	2-11/16	4	7/8	3/8-24×7/8
SC112S	SC112D	1-1/8	1-7/8	1/2	1/4-28×5/8	SC281S	SC281D	2-3/4	4	7/8	3/8-24×7/8
SC118S	SC118D	1-3/16	2-1/16	1/2	1/4-28×5/8	SC287S	SC287D	2-13/16	4-1/4	7/8	3/8-24×7/8
SC125S	SC125D	1-1/4	2-1/16	1/2	1/4-28×5/8	SC293S	SC293D	2-7/8	4-1/4	7/8	3/8-24×7/8
SC131S	SC131D	1-5/16	2-1/8	9/16	1/4-28×5/8	SC300S	SC300D	2-15/16	4-1/4	7/8	3/8-24×7/8
SC137S	SC137D	1-3/8	2-1/4	9/16	1/4-28×5/8	SC318S	SC318D	3	4-1/4	7/8	3/8-24×7/8
SC143S	SC143D	1-7/16	2-1/4	9/16	1/4-28×5/8	SC343S	SC343D	3-3/16	4-1/2	7/8	3/8-24×7/8
SC150S	SC150D	1-1/2	2-3/8	9/16	1/4-28×5/8	SC393S	SC393D	3-7/16	4-3/4	7/8	3/8-24×7/8
SC156S	SC156D	1-9/16	2-3/8	9/16	1/4-28×5/8	SC350S	SC350D	3-1/2	4-3/4	7/8	3/8-24×7/8
SC162S	SC162D	1-5/8	2-5/8	11/16	5/16-24×7/8	SC381S	SC381D	3-13/16	5-1/16	7/8	3/8-24×7/8
SC168S	SC168D	1-11/16	2-3/4	11/16	5/16-24×7/8	SC393S	SC393D	3-15/16	5-1/4	7/8	3/8-24×7/8

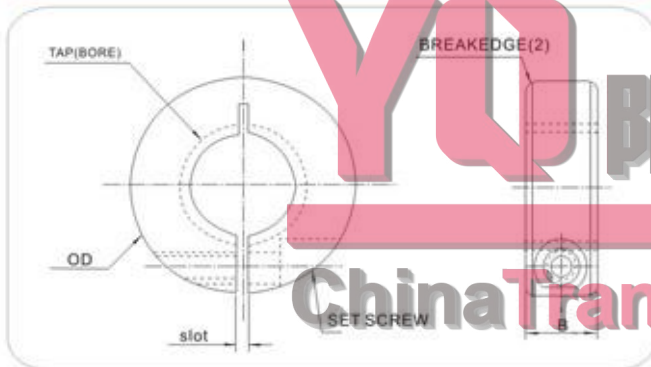
Note: The Material and surface treatment per customers' requirement.

DIMENSIONS OF "S" TYPE SPLIT COLLARS



Part No.	ID	OD	W	M
SC1000	1	2.37	.625	5/16
SC1125	1 1/8	2.62	.625	5/16
SC1187	1 3/16	2.62	.750	3/8
SC1250	1 1/4	2.87	.750	3/8
SC1312	1 5/16	2.87	.750	3/8
SC1375	1 3/8	2.87	.750	3/8
SC1437	1 7/16	2.87	.750	3/8
SC1500	1 1/2	3.12	.750	3/8
SC1687	1 11/16	3.37	.812	3/8
SC1750	1 3/4	3.62	1.000	1/2
SC1937	1 15/16	3.87	1.000	1/2
SC2000	2	4.12	1.000	1/2
SC2187	2 3/16	4.12	1.000	1/2
SC2437	2 7/16	4.62	1.000	1/2
SC2687	2 11/16	4.87	1.125	1/2
SC2937	2 15/16	5.12	1.125	1/2
SC3437	3 7/16	5.62	1.250	1/2
SC3937	3 15/16	6.37	1.250	5/8
SC4437	4 7/16	6.87	1.375	5/8
SC4937	4 15/16	7.87	1.375	5/8
SC5437	5 7/16	8.37	1.375	5/8
SC5937	5 15/16	9.12	1.375	5/8

THREADED SHAFT COLLARS (SINGLE SPLIT)



Part No.	Bore	Outside Dia.	B	Set Screw	Wt. lbs.
SCT1-0250-20-BO	1/4-20	11/16	5/16	4-40	0.0260
SCT1-0250-28-BO	1/4-28	11/16	5/16	4-40	0.0256
SCT1-0312-18-BO	5/16-18	11/16	5/16	4-40	0.0250
SCT1-0312-24-BO	5/16-24	11/16	5/16	4-40	0.0031
SCT1-0375-16-BO	3/8-16	7/8	3/8	6-32	0.0029
SCT1-0375-24-BO	3/8-24	7/8	3/8	6-32	0.0055
SCT1-0500-13-BO	1/2-13	1-1/8	13/32	8-32	0.0055
SCT1-0500-20-BO	1/2-20	1-1/8	13/32	8-32	
SCT1-0625-11-BO	5/8-11	1-5/16	7/16	10-32	0.0078
SCT1-0625-18-BO	5/8-18	1-5/16	7/16	10-32	0.0113
SCT1-0750-10-BO	3/4-10	1-1/2	1/2	1/4-28	0.0109
SCT1-0750-16-BO	3/4-15	1-1/2	1/2	1/4-28	0.2000
SCT1-0875-09-BO	7/8-9	1-5/8	1/2	1/4-28	0.1950
SCT1-0875-14-BO	7/8-14	1-5/8	1/2	1/4-28	0.2150
SCT1-1000-08-BO	1-8	1-3/4	1/2	1/4-28	0.2188
SCT1-1000-14-BO	1-14	1-3/4	1/2	1/4-28	0.2988
SCT1-1250-07-BO	1 1/4-7	2-1/16	1/2	1/4-28	0.2938
SCT1-1250-12-BO	1 1/4-12	2-1/16	1/2	1/4-28	0.2875
SCT1-1500-08-BO	1 1/2-6	2-3/8	9/16	1/4-28	0.4188
SCT1-1500-12-BO	1 1/2-12	2-3/8	9/16	1/4-28	0.4125
SCT1-2000-12-BO	2-12	3	11/16	5/16-24	0.7375