

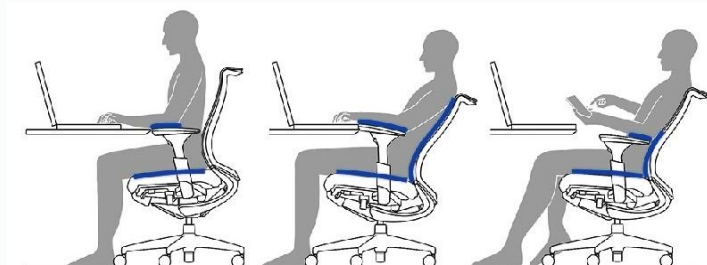


YINGFUNG FURNITURE

Office Chair series

YINGFUNG FURNITURE CO.LTD.

- TEL: +86-757-29226843
- Mobile: +86-139 2326 7760(WHATSAPP ID,WECHAT ID)
- SKYPE ID: yingfung2232
- Facebook: Sandy Qian Yingfung Furniture
- website: www.yfofficechair.com
- E-mail: sandy@fsyingfung.com
- Add: NO.265 building, 325 main Road, Longjiang ,Shunde Foshan, Guangdong , China



Company introduction



Founded in 2001, Y&F has been focusing on the manufacturing and exporting of office furniture. And also provides total solutions for global office furniture purchasers. With professional service and stable quality assurance, 80% of our customers have cooperated with us for more than 15 years.



Y&F Furniture focus on the total solution of office furniture, to provide customers with high quality of all kinds of Executive Chairs, such as leather executive chairs, mesh executive chairs and ergonomic executive chairs etc.

Factory picture



Semi-finished
Inspection area



Raw material



Warehouse

Project case

Project Data (Feb,2021)

LOCATION : Philippines

QTY: 500PCS

PRODUCTS : Task chair, conference chair and office chair

WORKSPACES : Workstations, collaboration spaces, and informal meeting spaces.

SERVICES : Space planning, Furniture design, manufacture and installation.



Techstars is an automotive supply company in Philippines, was eager to have us build the perfect office for their team. We knew first hand how important modern, functional office chairs are to productivity and growth.

A comfortable office chair, while seemingly insignificant to your ability to work, can actually have a profound impact on your health and productivity.





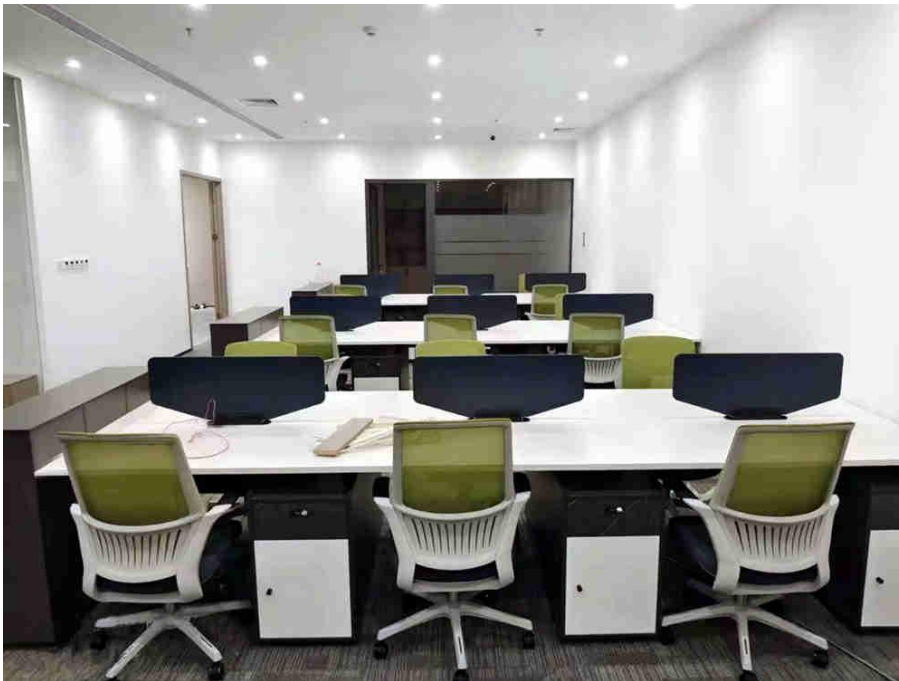
Project Data (May, 2022)

Trust comes from our quality and service.

This is the container loading we completed for our Greek customer.

Customer satisfaction, because we always provide very good quality and very good price products.

Years of office furniture export experience, good at helping customers integrate resources, provide overall solutions. Like the Greek customer, we accept small orders and provide mixed loading service, which can save the customer's time and cost.



Mesh Office chair



YF-501BG

- Chair back: PP gray back frame
- Fabric: made of high-quality mesh
- Armrest: gray nylon fixed armrest
- Seat: mould sponge
- Mechanism: middle butterfly mechanism
- Gaslift: three grade black gaslift
- Base: 320mm chrome base
- Castor: 55mm nylon castor



YF-503BG

- Chair back: PP gray back frame
- Fabric: made of high-quality mesh
- Armrest: gray nylon fixed armrest
- Seat: mould sponge
- Mechanism: lockable mechanism
- Gaslift: three grade black gaslift
- Base: 320mm chrome base
- Castor: 55mm nylon castor



YF-535-1

- Chair back: White PP back frame, 3D headrest
- Fabric: made of high-quality mesh
- Seat: mould sponge
- Gaslift: three grade black gaslift
- Base: 350mm aluminum base
- Castor: 60mm silent castor
- Armrest: 3D adjustable armrest
- Mechanism: 3 grade lockable mechanism



YF-CH903

- Chair back: Black PP back frame
- Fabric: 40 high density foam
- Armrest: height adjustable armrest with TPU
- Mechanism: double hands function mechanism
- Base: 320mm chrome base
- Gaslift: 100#mm galist
- Castor: 50mm PA castos



YF-A2218



YF-B2218



YF-C2218

YF-A2218

- Headrest: 2D headrest, adjustable height
- Chair back: PP black back frame
- Fabric: made of high-quality mesh
- Armrest: PP fixed armrest
- Seat: sponge density of 35kg
- Mechanism: 1 grade mechanism, thickness 3.0mm
- Gaslift: 2 grade #100 black gaslift
- Base: 330mm black PP base
- Castor: 50mm nylon castor

Different Color Chair





YF-A613-1



YF-A613



YF-B613



YF-D613

YF-A613

- Chair back: PP back frame, high-quality 3D fabric
- Seat: high density mould sponge
- Armrest: fixed armrest
- Mechanism: synchro mechanism
- Gaslift: #85 black gaslift
- Base: 320mm nylon base
- Castor: 50mm black PA castor





YF-A666



YF-B666



YF-D666

YF-A666

- Chair back: PP back frame, high-quality 3D fabric
- Seat : high density mould sponge
- Armrest: fixed armrest
- Mechanism: synchro mechanism
- Gaslift: #85 black gaslift
- Base: #320 black nylon base
- Castor: 50mm black PA castor

Different Color Chair





YF-A666-1



YF-B666-1



YF-D666-1

Different Color Chair



YF-B666-1

- Chair back: PP back frame, high-quality 3D fabric
- Seat: high density mould sponge
- Armrest: fixed armrest
- Mechanism: synchro mechanism
- Gaslift: #85 chrome gaslift
- BASE: #320 chrome base
- Castor: 50 black PA castor



YF-A619



YF-B619



YF-D619

Different Color Chair



YF-A619

- Seat: high density sponge
- Armrest: fixed armrest
- Mechanism: middle butterfly mechanism
- Gaslift: #85 black gaslift
- Base: #320 nylon base
- Castor: 50mm black PA castor



YF-A612



Different Color Chair



YF-A612-1



YF-B612-1

YF-A612

- Chair back: PP back frame, High-quality 3D fabric
- Armrest: PP fixed armrest
- Seat: high density mould sponge
- Mechanism: synchro mechanism
- Gaslift: #85 black gaslift
- Base: 340mm black nylon base
- Castor: 60mm black PU castor



YF-681PG-20



YF-682PG-20



YF-685B-20



YF-681BA-20



YF-682B-20



YF-CH902



YF-CH802



YF-CH801



YF-CH803



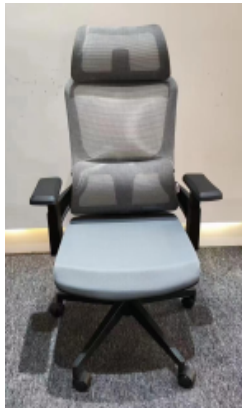
YF-CH807



YF-CH204



YF-CH202



YF-TA067



YF-MA626-3



YF-MA626-52



YF-MB601-3



YF-MA601-3



YF-MA601-2



YF-MB650



YF-MB650-2



YF-D650



YF-C236



YF-C258-16



YF-B236



YF-A236



YF-A237



YF-A258



YF-B236-1



YF-B237



YF-B258

PU Office chair



YF-A638



YF-B638



YF-D638

Different Color Chair



YF-A638

- Material: microfiber leather
- Seat: high density mould sponge
- Armrest: TPU aluminum armrest
- Mechanism: multifunction mechanism
- Gaslift: #65 chrome gaslift
- Base: #350 aluminum base
- Castor: 60mm chrome black silent castor



YF-A340



YF-A340

- Material: microfiber leather
- Seat: high density sponge
- Mechanism: multifunction mechanism
- Base: #350 aluminum base
- Gaslift: #85 chrome gaslift
- Castor: 60mm chrome black silent castor



YF-B340



YF-D340





YF-A637

YF-A637

- Material: microfiber leather
- Seat: high density mould sponge
- Armrest: TPU aluminum armrest
- Mechanism: synchro mechanism
- Gaslift: #65 chrome gaslift
- Base: #350 square chrome base
- Castor: 60mm chrome black silent castor



YF-B637



YF-D637



YF-A639



YF-B639



YF-D639



YF-A639

- Material: microfiber leather
- Seat: high density mould sponge
- Armrest: TPU aluminum armrest
- Mechanism: multifunction mechanism, thickness 2.0mm
- Gaslift: #65 chrome gaslift
- Base: #350 aluminum base
- Castor: 60mm chrome black silent castor

Different Color Chair





YF-A360



YF-B360

YF-A360

- Material: PU
- Seat: high density sponge
- Armrest: plastic armrest
- Mechanism: middle butterfly mechanism, thickness 2.0mm
- Gaslift: #85 chrome gaslift
- Base: #350 chrome square base
- Castor: 60mm black silent castor



YF-D360



YF-D360A





YF-A360-1



YF-A360-1

- Material: PU
- Seat: high density sponge
- Armrest: aluminum armrest
- Mechanism: synchro mechanism
- Gaslift: #65 chrome gaslift
- Base: #350 chrome square base
- Castor: 60mm black silent castor



YF-B360-1





YF-A361



YF-B361



YF-D361

YF-A361

- Material: microfiber leather
- Armrest/Seat: high density mould sponge
- Mechanism: synchro mechanism
- Gaslift: #65 chrome gaslift
- Base: #350 aluminum base
- Castor: 60mm chrome black silent castor

Different Color Chair





YF-A345



YF-B345



YF-D345



YF-A345-1

YF-A345

- Material: microfiber leather
- Armrest: fixed armrest
- Seat: high density sponge
- Mechanism: middle butterfly mechanism
- Gaslift: #85 chrome gaslift
- Base: #350 chrome square base
- Castor: 25/60mm chrome PU castor



YF-A317

- Material: PU
- Armrest/Seat/Headrest: high density mould sponge
- Mechanism: lockable mechanism, thickness 2.0mm
- Gaslift: #85 chrome gaslift
- Base: #350 aluminum base
- Castor: 60mm black castor

YF-A317



YF-B317



YF-D317



YF-A323

- Material: PU
- Seat: high density sponge
- Mechanism: tilt and lock mechanism, thickness 2.0mm
- Gaslift: #65 chrome gaslift
- Base: #350 aluminum base
- Castor: 60mm chrome black castor



YF-A333-5

- Material: microfiber leather
- Armrest: TPU chrome armrest
- Seat: high density sponge
- Mechanism: multifunction mechanism
- Gaslift: #40 chrome gaslift
- Base: #350 aluminum base
- Castor: 60mm chrome black castor



YF-D323



YF-B333-5



YF-CH617A



YF-CH617B



YF-CH617A

- Material: PU
- Armrest: TPU chrome armrest
- Base: #350mm square chrome base
- Castor: #60mm PU castor
- Seat: high density sponge



YF-XQT01



YF-XQT02



YF-XQT03



YF-A366-3



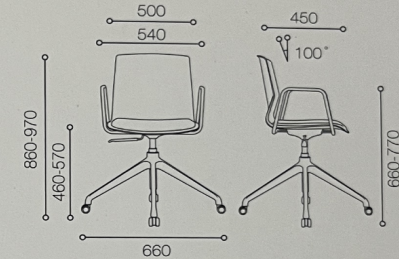
YF-CH912



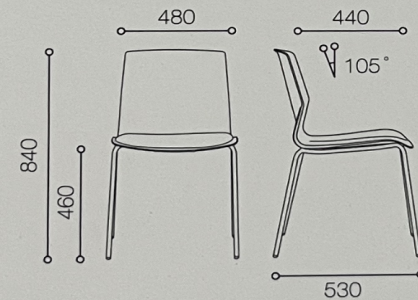
EX308



YF-S30-1W

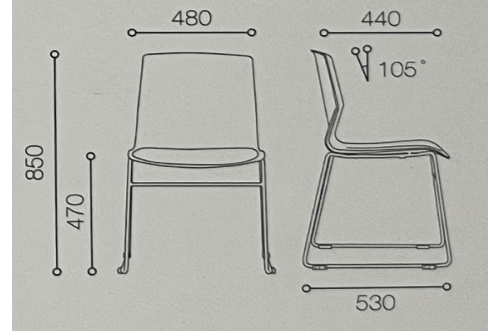


YF-S03-1W

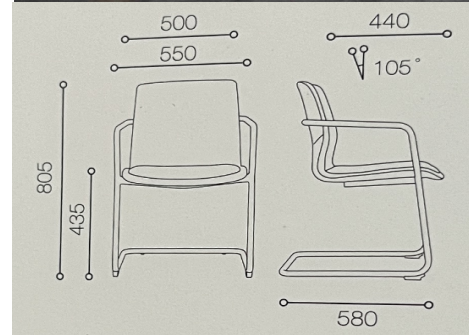




YF-S01



YF-S01-23





YF-S2230



YF-683B-20



YF-2202



YF-33B



YF-35B



YF-2239



YF-2231



YF-2204W



YF-R01



YF-K0-D



YF-X4-D



YF-113



YF-112



YF-SF01



YF-SF04



YF-201



YF-BC01



YF-BC02



YF-BC03



THANKS