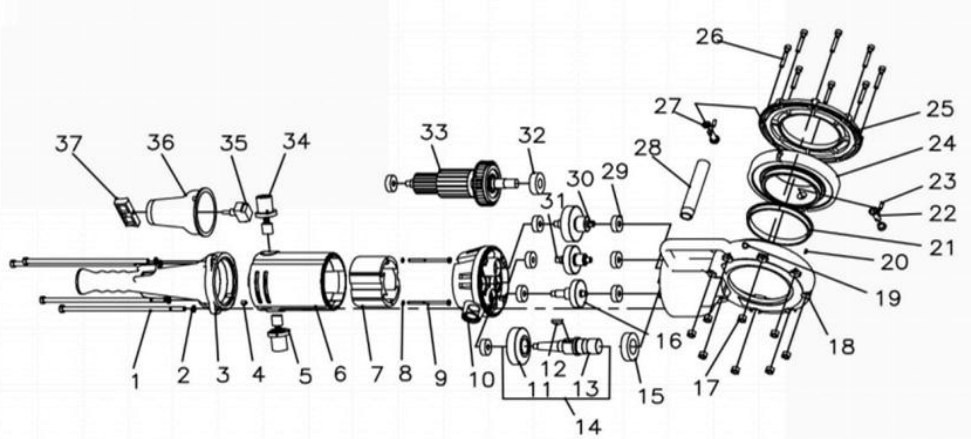




HSQ50 中英文爆炸图 (HSQ50 spare parts list)



S/N	Ref. No.	品名	Description
1	40401008	长螺栓 (4)	Tie Bolt(4)
2	50107019	弹性垫圈D8 (4)	Washer D=8(4)
3	40901019	机尾壳体	Handel
4	50103136	开槽凹端紧定螺钉	Set Screw
5	30403019	刷握组件	Brush Holder Assembly
6	40302007	电机外壳	Motor Housing Assembly
7	30403012	电机定子110V	Field 110V
	30403017	电机定子220V	Field 220V
8	50107048	标准弹性垫圈 (2)	Washer (2)
9	50103141	开槽半圆螺钉 (2)	Filed Mtg.Screw(2)
10	40302006	减速箱盖	Fan Housing Assembly
11	40201003	G齿齿轮	G Gear
12	50106034	半圆键5*7.5*19	Key 5*7.5*19
13	40205008	H齿齿轴	H Gear
14	30102004	轴齿轮G-H总成	Gear shaft G-H
15	#N/A	深沟球轴承NSK60	Bearing NSK60
16	40205005	齿轮轴A-B	Gear shaft A-B
17	50102030	螺母 (8)	Nut (8)
18	40302008	主壳体	Gear Case Assembly
19	50804001	直通式压注油杯M6	Grease Fitting
20	#N/A	重型直槽弹性圆柱销3*8	Pin3*8
21	41502010	衬套 (2)	Bearing
22	42002005	拨轴 (2)	Adpater Pawl
23	50105034	重型直槽弹性圆柱销5*14	Spring Pin 5*14
24	41503003	大齿盘	Face Gear Assembly
25	41501004	压盖轴承	Cover
26	50103190	内六角圆头螺钉 (8)	Screw(8)
27	50702002	圆锥弹簧	Spring
28	41705010	可拆手柄	Torque Arm
29	50401021	轴承6200D (8)	Bearing
30	40205007	轴齿轮E-F	Gear shaft E-F
31	40205006	轴齿轮C-D	Gear shaft C-D
32	50401022	深沟球轴承6203DC	Retaining Ring
33	30403013	转子110V	Armature 110V
	30403018	转子220V	Armature 220V
34	30403016	碳刷组件110V (2)	Carbon Brush Assembly (110V)
	30403019	碳刷组件220V (2)	Carbon Brush Assembly (220V)
35	30402002	开关	Switch
36	41603001	绝缘衬套	Switch Insulator
37	41802003	开关按钮	Switch Button

