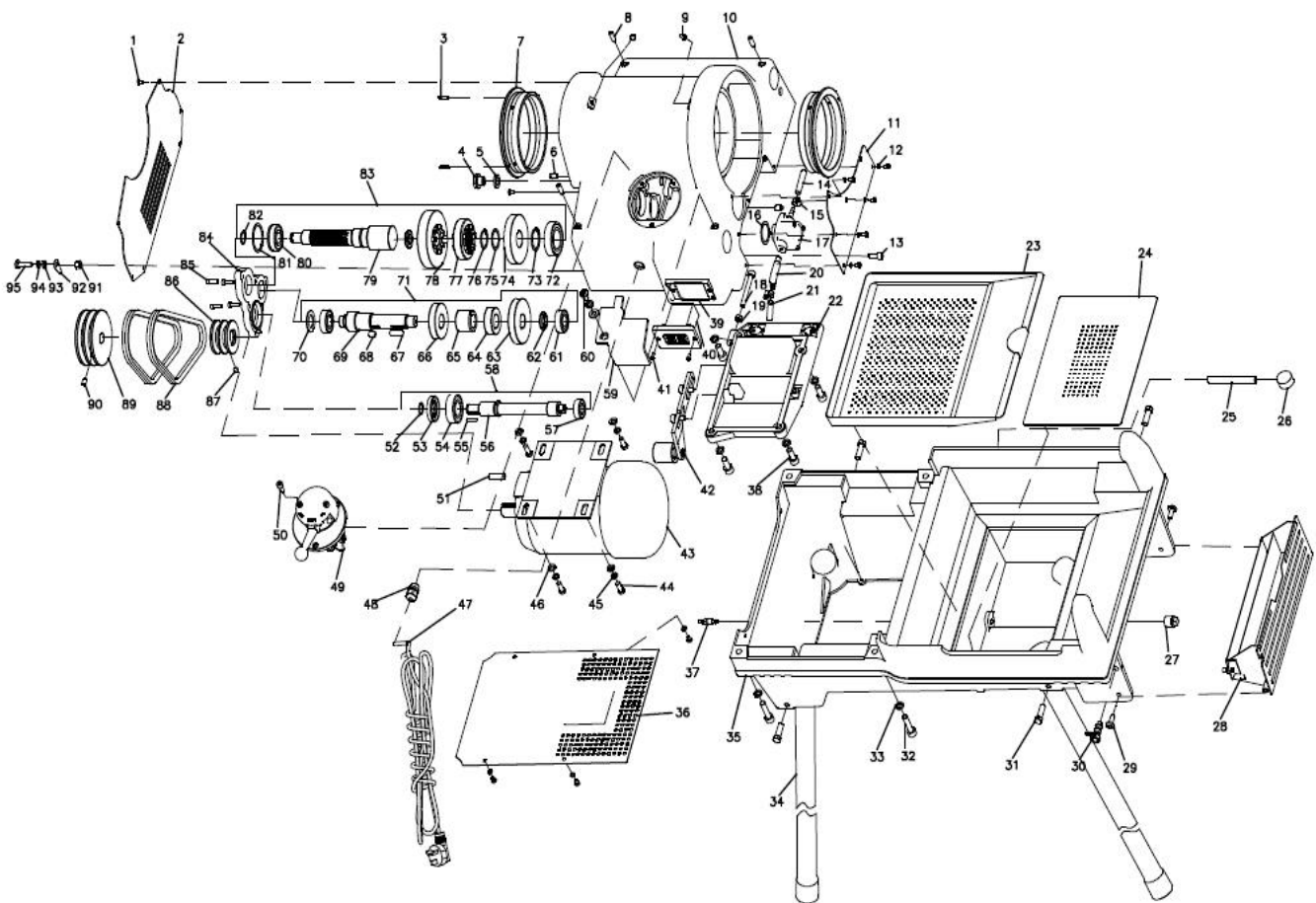




SQ100F-L 中英文爆炸图 (SQ100F-L spare parts list)

车头箱及变速箱部件 (142-342) Main Components



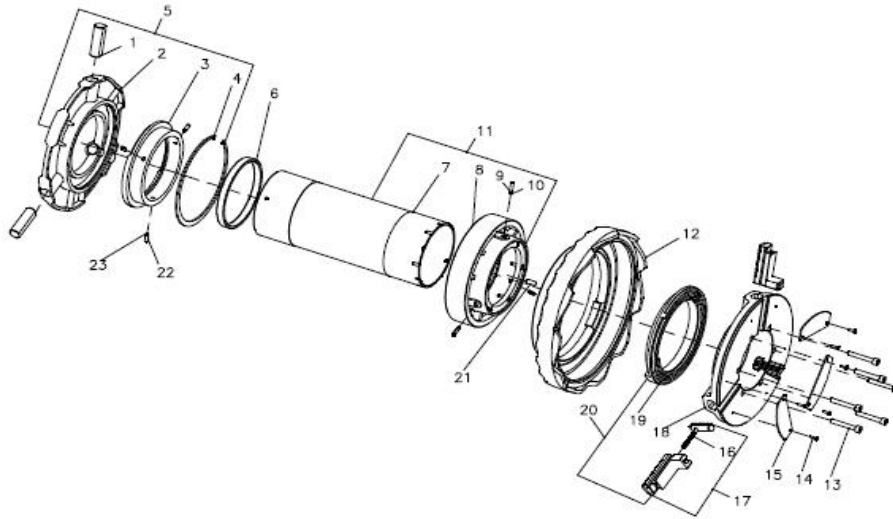


S/N	Ref. No.	品名	Description
1	50103068	十字槽盘头螺钉M5*8	Screw M5*8
2	41401028	后盖板	Rear cover
3	50105030	重型卷制弹性销4*16 (2)	Pin 4*16 (2)
4	40401029	油标螺栓	Bolt
5	41502030	橡胶垫圈	Spacer
6	50804006	外方管堵	Square plug
7	41501012	轴承 (2)	Bearing (2)
8	50103034	内六角圆柱头紧定螺钉M8*25 (Screw M8*25 (3)
9	50804001	直通式压注油杯M6(2)	Grease fitting M6 (2)
10	40101022	车头箱	Upper casting body
11	41401025	前挡板	Front cover
12	50107017	标准弹性垫圈M5	Spacer M5
13	50103016	内六角圆柱头螺钉M6*15 (3)	Screw M6*15 (3)
14	60302003	油泵出油管	Oil tube
15	60303069	抱箍	Clamp
16	41402009	油封纸圈	Seal
17	50502001	油泵	Oil pump
18	50103042	内六角圆柱头螺钉M8*70	Screw M8*70
19	50102004	I型六角螺母	Nut
20	41705041	直角接头	Right angle joint
21	60302003	油泵进油管	Oil inlet tube
22	40302033	电机座	Motor mounting base
23	30110005	滤油盘总成	Oil filter plate
24	30203009	盛屑盘总成	Chip pan
25	60302003	滤油器油管	Oil tube
26	41902006	滤油器	Oil filter
27	50804009	管堵	Oil plug
28	60303063	工具箱 (选配)	Tool box (optional)
29	50103085	十字槽盘头螺钉M8*20 (2)	Screw M8*20 (2)
30	30108053	工具盒挡销	Lock bolt
31	50101010	六角头螺栓M10*35 (4)	Bolt M10*35 (4)
32	50103042	内六角圆柱头螺钉M10*40 (4)	Screw M10*40 (4)
33	50107016	标准型弹性垫圈M10 (12)	Spacer M10 (12)
34	41705106	长支脚 (4)	Support leg (4)
35	40101023	机身	Lower casting body
36	41403007	底板	Bottom cover
37	40401017	长接头 进油管接头	Oil coupling
38	50103039	十字槽盘头螺钉M10*25 (4)	Screw M10*25 (4)
39	41604007	开关盒	Switch box
40	30402038	开关	Switch
41	50103064	十字槽盘头螺钉M4*10 (2)	Screw M4*10 (2)
42	30101010	张紧轮总成	Belt tightening wheel
43	30401043	电机220V	Motor 220V
	30401042	电机110V	Motor 110V
44	50101003	六角头螺栓M8*25 (4)	Bolt M8*25 (4)
45	50107019	标准型弹簧垫圈M8 (5)	Spacer M8 (5)
46	50107004	平垫圈M8 (5)	Spacer M8 (5)
47	30402016	橡胶线 (欧式线)	Power cord
48	30403049	拉不脱M20	Cable gland M20

S/N	Ref. No.	品名	Description
49	30103010	变速机构	Speed shifting complete
50	50103016	内六角圆柱头螺钉M6*15 (3)	Screw M6*15 (3)
51	50106022	B型普通平键8*7*32	Flat key 8*7*32
52	50108027	A型轴用挡圈d=18	Retaining ring D=18
53	50803003	旋转轴唇形密封圈25*47*7	Seal ring 25*47*7
54	50401015	带密封圈深沟球轴承6205-2RZ	Bearing 6205-2RZ
55	50106007	C型普通平键5*21	Spacer 5*21
56	40205054	1级齿轴	1st gear shaft
57	50401008	带密封圈深沟球轴承6202	Bearing 6202
58	30102041	1级齿轴总成	1st gear shaft complete
59	41401026	挡护板	Carriage stop
60	50103085	十字槽盘头螺钉M8*20	Screw M8*20
61	50401012	带密封圈深沟球轴承6004 (2)	Bearing 6004 (2)
62	41502033	挡圈 (2)	Retaining ring (2)
63	40202036	2级斜齿轮	2nd helical gear
64	40201022	2级中速齿轮	2nd middle speed gear
65	41502034	大挡圈	Retaining ring
66	40201023	2级高速齿轮	2nd high-speed gear
67	50106022	C型普通平键8*7*28	Flat key 8*7*28
68	50106017	C型普通平键8*7*14	Flat key 8*7*14
69	40205055	2级齿轴	2nd gear shaft
70	50107031	波形弹性垫圈38	Gasket 38
71	30102042	2级齿轴总成	2nd gear shaft complete
72	50401019	带密封圈深沟球轴承6007	Bearing
73	50108035	A型轴用挡圈d=35	Retaining ring D=35
74	40201025	3级中速齿轮	3rd middle-speed gear
75	41502032	3级中速齿轮垫	Spacer
76	50108033	A型轴用挡圈d=30	Retaining ring D=30
77	40201024	3级高速齿轮	3rd hi-speed gear
78	40201026	3级低速齿轮	3rd low speed gear
79	40205056	3级齿轴	3rd gear shaft
80	50401013	带密封圈深沟球轴承6204	Bearing 6204
81	50107026	止动垫圈d=45.6	Retaining ring D=45.6
82	50108028	A型轴用挡圈d=20	Retaining ring D=20
83	30102043	3级齿轴总成	3rd gear shaft complete
84	40302032	变速箱盖	Gear box cover
85	50103006	内六角圆柱头螺钉M5*18 (16)	Screw M5*18 (16)
86	40203003	电机V带轮	Motor V wheel
87	50103105	开槽平端紧定螺钉M8*8	Screw M8*8
88	60303062	V形带 (2)	V belt (2)
89	40203004	1级高速V轮	1st V wheel
90	50103110	内六角平端紧定螺钉M8*12	Screw M8*12
91	50102001	六角头螺母M4	Nut M4
92	40802001	地线标志	Earth wire mark
93	50107001	平垫圈d=4	Retaining ring D=4
94	50107016	标准弹性垫圈d=4	Spacer D=4
95	50103066	十字槽盘头螺钉M4*16	Screw M4*16



车头轴部件 (43200) Drive Components

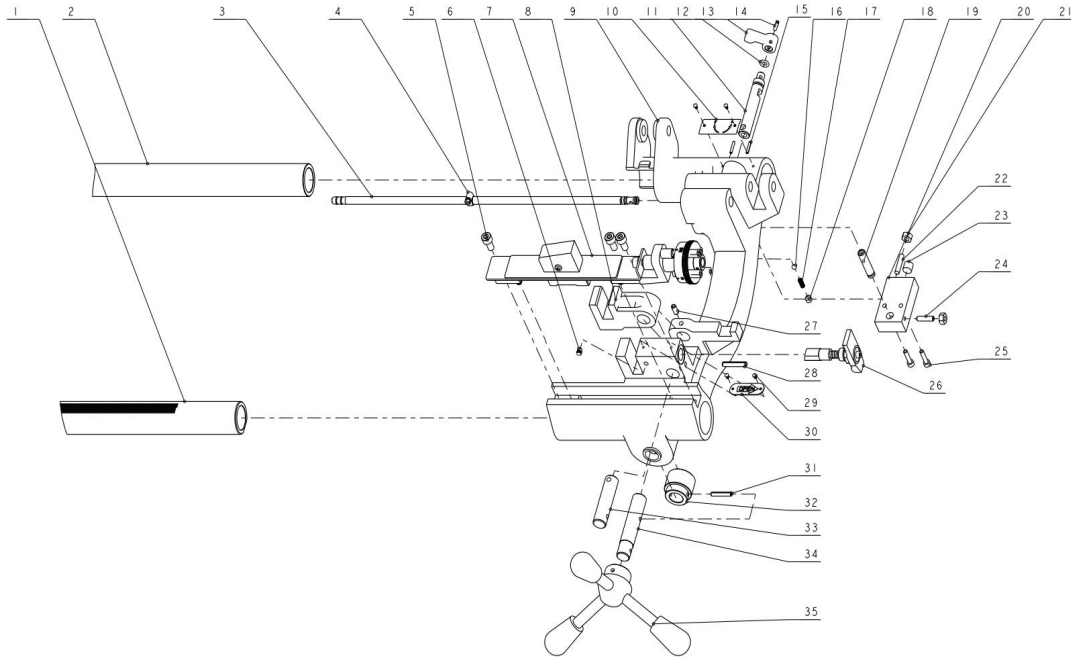


S/N	Ref. No.	品名	Description
1	41802018	后卡爪 (3)	Rear jaws (3)
2	40303059	后卡盘	Rear centering head
3	40303057	小螺盘	Rear scroll
4	50108019	B型孔用弹性挡圈d=180	Retaining ring D=180
5	30109016	后卡盘总成	Rear centering assembly
6	41902010	主轴衬套	sleeve
7	41705040	轴筒	drive shaft
8	40201020	大齿盘	ring gear
9	50105038	重型直槽弹性圆柱销6*16 (3)	pin 6*16 (3)
10	50105030	重型直槽弹性圆柱销4*16 (3)	pin 4*16 (3)
11	30109070	轴筒总成	Drive shaft complete
12	40303070	锤击盘	Hand wheel
13	50103039	内六角圆柱头螺钉M8*55 (6)	Bolt M8*55 (6)
14	50103140	开槽盘头螺钉 (6)	Bolt (6)
15	41001043	前卡爪挡板 (3)	Guard plate (3)
16	30108028	卡爪尖总成 (3)	Jaw insert set (3)
17	30108034	前卡爪总成 (3)	Front chuck Jaw Set (3)
18	40303071	卡盘体	Cap
19	40303069	大螺盘	Front scroll
20	30109017	前卡盘总成	Front chuck assembly
21	50105018	B型圆柱销8*30	Pin 8*30
22	50105039	重型直槽弹性圆柱销6*20 (3)	Elastic pin 6*20 (3)
23	50105032	重型直槽弹性圆柱销4*20 (3)	Elastic pin 4*20 (3)





滑架部件 (10403004) Carriage

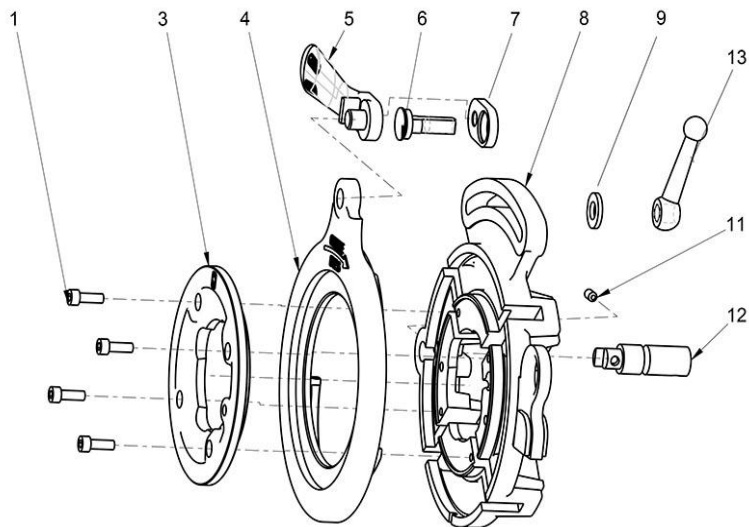


S/N	Ref. No.	品名	Description
1	41703022	前导柱	Front rail
2	41703021	后导柱	Rear rail
3	41705044	滑架进油直管	Oil tube
4	50109002	铁皮卡圈	Tin retainer ring
5	/	内六角圆柱头螺钉	Bolt
6	40402024	锁扣定位锥销	Locating pin
7	30103012	变距支架组件	Variable pitch stents
8	41803008	小板牙盘搁块	Put block
9	40301015	滑架	Carriage
10	40803011	调油指示牌	Oil indicator
11	42001027	油路调节轴	Oil line adjusting shaft
12	/	O型密封圈	Seal
13	40901051	换向手柄	Reversing handle
14	/	弹性销(4)	Pin(4)
15	/	弹性销(4)	pin(4)
16	/	钢球	Steel ball
17	40501026	工具箱挡销压簧	Tool box catch spring
18	/	内六角圆柱端紧定螺钉UNC5/16"	Bolt UNC5/16"
19	41705043	滑架进油短管	Oil tube
20	41802024	溢流阀体	Overflow valve
21	/	1型六角螺母	Bolt
22	/	内六角锥端紧定螺钉	Bolt
23	/	内六角平端紧定螺钉	Bolt
24	/	内六角锥端紧定螺钉	Bolt
25	/	内六角圆柱头螺钉	Bolt
26	30108038	锁扣组件	Lock components
27	/	弹性销(6)	Pin(6)
28	/	弹性销(6)	Pin(6)
29	/	标牌铆钉φ3x5	Rivet φ3x5
30	40802009	松开标牌	Scutcheon
31	/	重型直槽弹性圆柱销	Pin
32	40201008	进刀齿轮	Feeding gear
33	42002018	小板牙盘搁块轴	Put block
34	40205084	主动齿轴	Actuating gear shaft
35	30104010	手柄	Handle





板牙头部件 (428) Die head 1/2"-2"

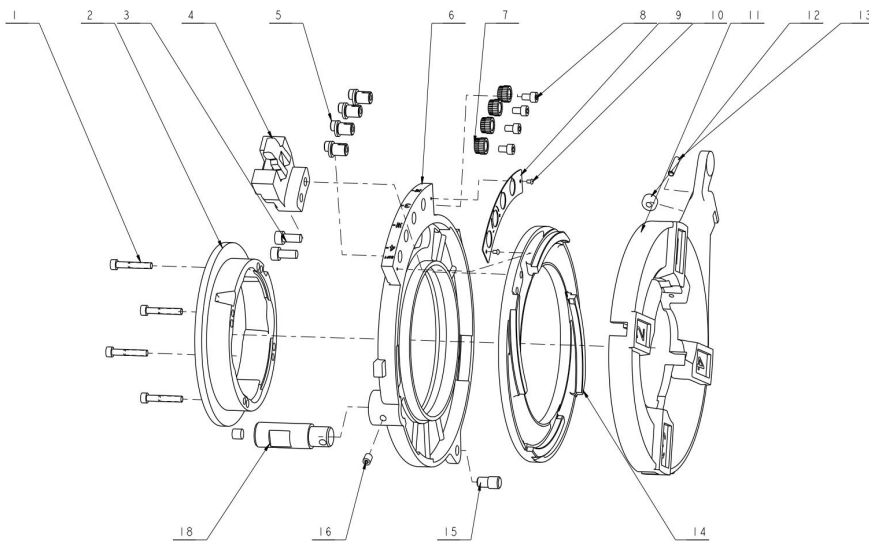


S/N	Ref. No.	品名	Description
1		内六角螺钉 M6*15	Screw M6*15
3	40303085	托盘	Retaining ring
4	40303053	曲线盘	Cam plate
5	40901028	调整手柄	Throw-out lever
6	40401012	夹紧螺钉	Clamp screw
7	41802013	偏心块	Link
8	40303054	板牙盘	Die head plate
9	41001008	带舌垫片	Lever washer
11		内六角圆柱端紧定螺钉 M6*10	Screw M6*10
12	30108029	支轴组件	Post
13	40901040	手柄	Clamp lever





板牙头部件 (447) Die head 2 1/2"-4"

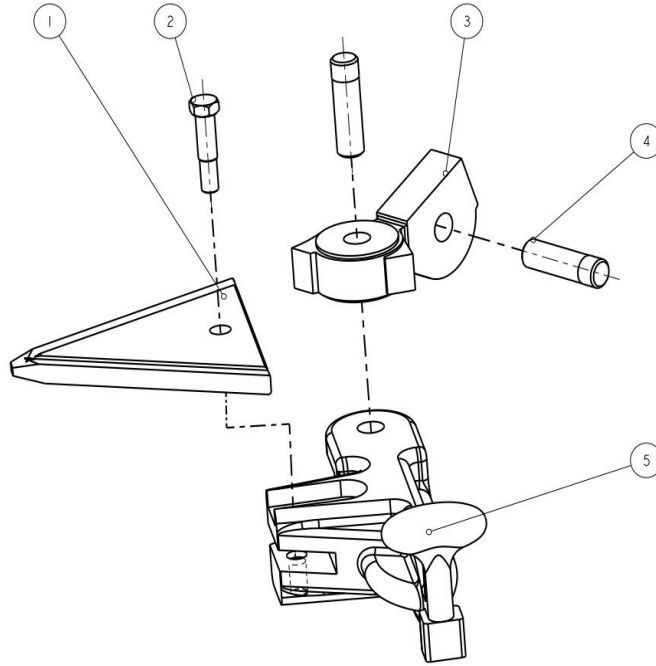


S/N	Ref. No.	品名	Description
1	/	内六角圆柱头螺钉	Screw
2	40303077	大托盘	Retaining ring
3	/	内六角圆柱头螺钉	Screw
4	30108037	定位块	Located block
5	40402020	微调块	Adjust block
6	40303079	大后盘	Back plate
7	41801026	微调头	Adjust head
8	/	内六角圆柱头螺钉	Screw
9	40802007	对线铝牌	Aluminum plate
10	/	半圆头铆钉	Rivet
11	40303080	大前盘	Front Plate
12	41503016	滚轮	Roller
13	42001026	滚轮轴销	Pin
14	40303078	大曲线盘	Curve plate
15	40402019	挡销	Pin
16	/	内六角圆柱端紧定螺钉	Screw
18	30108036	支轴	Post
	10603007	板牙头总成 447	Die head 447





刮刀部件 10703005 (544A) Reamer



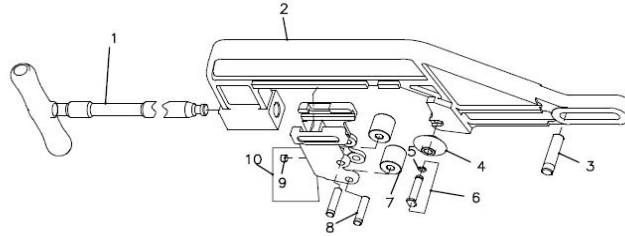
S/N	Ref. No.	品名	Description
1	40602012	刮刀片	Reaming blade
2	50103001	B型六角头铰制孔用螺栓M8*35	bolt M8*35
3	40402022	刮刀支撑销(2)	Support pin(2)
4	40901050	旋转块	Rotating link
5	40304035	刮刀座	Reamer frame
	10703005	刮刀总成	Reamer complete





割刀部件 (43600) Cutter

割刀部件(642)
43600



S/N	Ref. No.	品名	Description
1	30109019	割刀手柄总成	Cutter handle
2	40304036	割刀架	Cutter frame
3	40402023	割刀体支撑销	Pin
4	40601005	割刀片大外圆	Cutting wheel
5	50705005	割刀轴弹簧卡圈	Clip
6	30108014	割刀轴总成	Wheel pin
7	41503036	滚轮 (2)	Roller (2)
8	42002014	滚轮轴 (2)	Roller pin (2)
9	41801010	顶珠	Insert
10	40304060	滚轮架总成	Roller housing
	10803002	割刀总成	cutter complete

