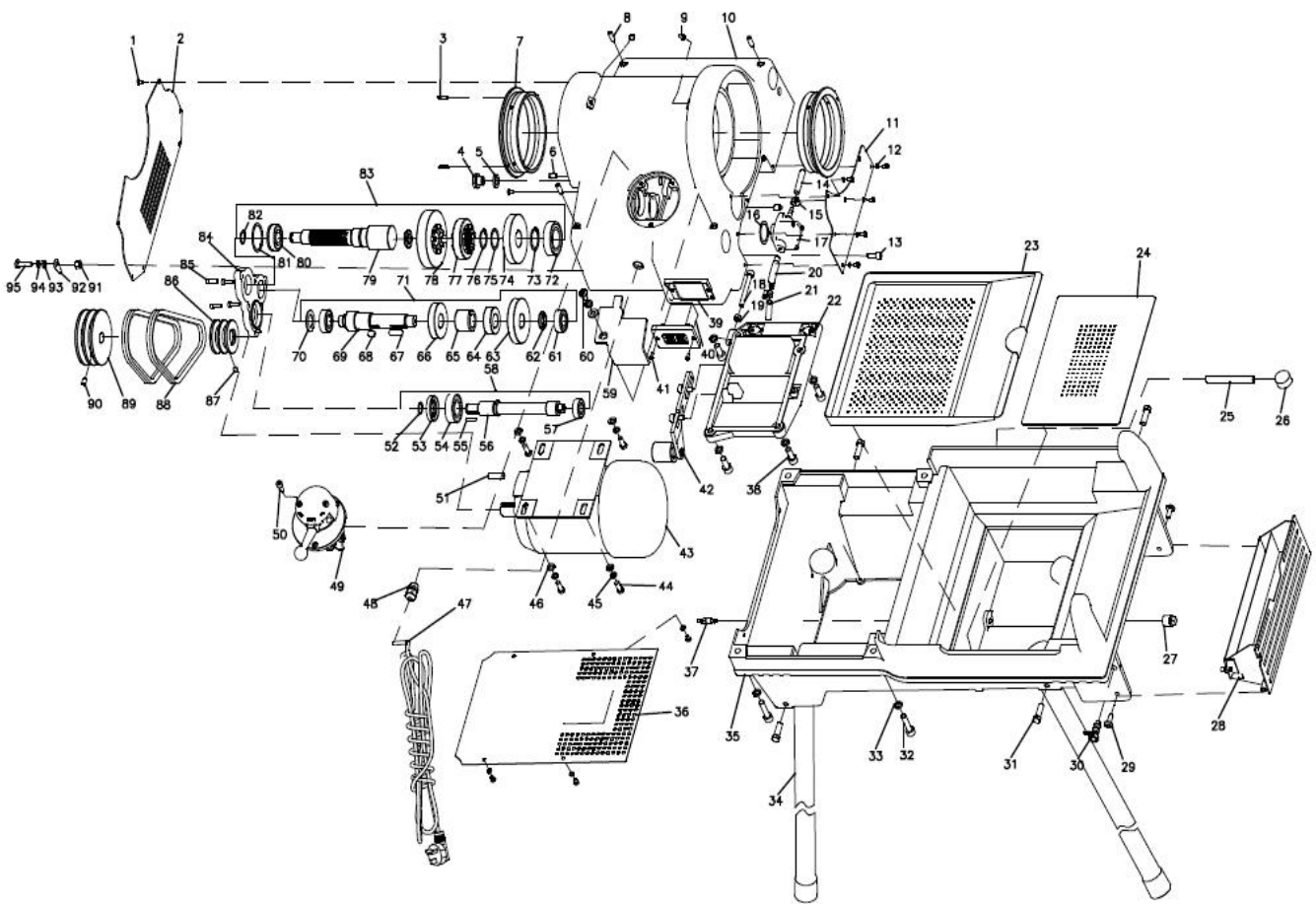




SQ100F 中英文爆炸图 (SQ100F spare parts list)

车头箱及变速箱部件 (142-342) Main Components



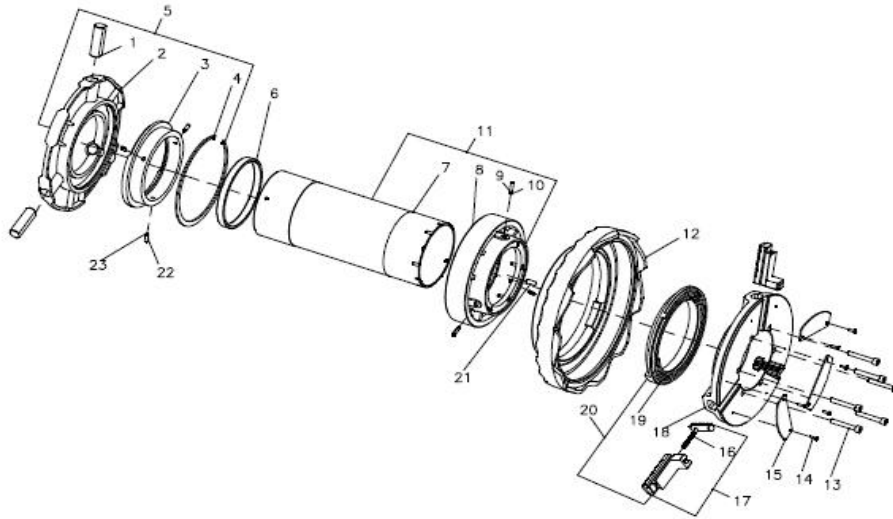


S/N	Ref. No.	品名	Description
1	50103068	十字槽盘头螺钉M5*8	Screw M5*8
2	41401028	后盖板	Rear cover
3	50105030	重型卷制弹性销4*16 (2)	Pin 4*16 (2)
4	40401029	油标螺栓	Bolt
5	41502030	橡胶垫圈	Spacer
6	50804006	外方管堵	Square plug
7	41501012	轴承 (2)	Bearing (2)
8	50103034	内六角圆柱头紧定螺钉M8*25 (Screw M8*25 (3)
9	50804001	直通式压注油杯M6(2)	Grease fitting M6 (2)
10	40101022	车头箱	Upper casting body
11	41401025	前挡板	Front cover
12	50107017	标准弹性垫圈M5	Spacer M5
13	50103016	内六角圆柱头螺钉M6*15 (3)	Screw M6*15 (3)
14	60302003	油泵出油管	Oil tube
15	60303069	抱箍	Clamp
16	41402009	油封纸圈	Seal
17	50502001	油泵	Oil pump
18	50103042	内六角圆柱头螺钉M8*70	Screw M8*70
19	50102004	I型六角螺母	Nut
20	41705041	直角接头	Right angle joint
21	60302003	油泵进油管	Oil inlet tube
22	40302033	电机座	Motor mounting base
23	30110005	滤油盘总成	Oil filter plate
24	30203009	盛屑盘总成	Chip pan
25	60302003	滤油器油管	Oil tube
26	41902006	滤油器	Oil filter
27	50804009	管堵	Oil plug
28	60303063	工具箱 (选配)	Tool box (optional)
29	50103085	十字槽盘头螺钉M8*20 (2)	Screw M8*20 (2)
30	30108053	工具盒挡销	Lock bolt
31	50101010	六角头螺栓M10*35 (4)	Bolt M10*35 (4)
32	50103042	内六角圆柱头螺钉M10*40 (4)	Screw M10*40 (4)
33	50107016	标准型弹性垫圈M10 (12)	Spacer M10 (12)
34	41705106	长支脚 (4)	Support leg (4)
35	40101023	机身	Lower casting body
36	41403007	底板	Bottom cover
37	40401017	长接头 进油管接头	Oil coupling
38	50103039	十字槽盘头螺钉M10*25 (4)	Screw M10*25 (4)
39	41604007	开关盒	Switch box
40	30402038	开关	Switch
41	50103064	十字槽盘头螺钉M4*10 (2)	Screw M4*10 (2)
42	30101010	张紧轮总成	Belt tightening wheel
43	30401043	电机220V	Motor 220V
	30401042	电机110V	Motor 110V
44	50101003	六角头螺栓M8*25 (4)	Bolt M8*25 (4)
45	50107019	标准型弹簧垫圈M8 (5)	Spacer M8 (5)
46	50107004	平垫圈M8 (5)	Spacer M8 (5)
47	30402016	橡胶线 (欧式线)	Power cord
48	30403049	拉不脱M20	Cable gland M20

S/N	Ref. No.	品名	Description
49	30103010	变速机构	Speed shifting complete
50	50103016	内六角圆柱头螺钉M6*15 (3)	Screw M6*15 (3)
51	50106022	B型普通平键8*7*32	Flat key 8*7*32
52	50108027	A型轴用挡圈d=18	Retaining ring D=18
53	50803003	旋转轴唇形密封圈25*47*7	Seal ring 25*47*7
54	50401015	带密封圈深沟球轴承6205-2RZ	Bearing 6205-2RZ
55	50106007	C型普通平键5*21	Spacer 5*21
56	40205054	1级齿轴	1st gear shaft
57	50401008	带密封圈深沟球轴承6202	Bearing 6202
58	30102041	1级齿轴总成	1st gear shaft complete
59	41401026	挡护板	Carriage stop
60	50103085	十字槽盘头螺钉M8*20	Screw M8*20
61	50401012	带密封圈深沟球轴承6004 (2)	Bearing 6004 (2)
62	41502033	挡圈 (2)	Retaining ring (2)
63	40202036	2级斜齿轮	2nd helical gear
64	40201022	2级中速齿轮	2nd middle speed gear
65	41502034	大挡圈	Retaining ring
66	40201023	2级高速齿轮	2nd high-speed gear
67	50106022	C型普通平键8*7*28	Flat key 8*7*28
68	50106017	C型普通平键8*7*14	Flat key 8*7*14
69	40205055	2级齿轴	2nd gear shaft
70	50107031	波形弹性垫圈38	Gasket 38
71	30102042	2级齿轴总成	2nd gear shaft complete
72	50401019	带密封圈深沟球轴承6007	Bearing
73	50108035	A型轴用挡圈d=35	Retaining ring D=35
74	40201025	3级中速齿轮	3rd middle-speed gear
75	41502032	3级中速齿轮垫	Spacer
76	50108033	A型轴用挡圈d=30	Retaining ring D=30
77	40201024	3级高速齿轮	3rd hi-speed gear
78	40201026	3级低速齿轮	3rd low speed gear
79	40205056	3级齿轴	3rd gear shaft
80	50401013	带密封圈深沟球轴承6204	Bearing 6204
81	50107026	止动垫圈d=45.6	Retaining ring D=45.6
82	50108028	A型轴用挡圈d=20	Retaining ring D=20
83	30102043	3级齿轴总成	3rd gear shaft complete
84	40302032	变速箱盖	Gear box cover
85	50103006	内六角圆柱头螺钉M5*18 (16)	Screw M5*18 (16)
86	40203003	电机V带轮	Motor V wheel
87	50103105	开槽平端紧定螺钉M8*8	Screw M8*8
88	60303062	V形带 (2)	V belt (2)
89	40203004	1级高速V轮	1st V wheel
90	50103110	内六角平端紧定螺钉M8*12	Screw M8*12
91	50102001	六角头螺母M4	Nut M4
92	40802001	地线标志	Earth wire mark
93	50107001	平垫圈d=4	Retaining ring D=4
94	50107016	标准弹性垫圈d=4	Spacer D=4
95	50103066	十字槽盘头螺钉M4*16	Screw M4*16



车头轴部件 (43200) Drive Components



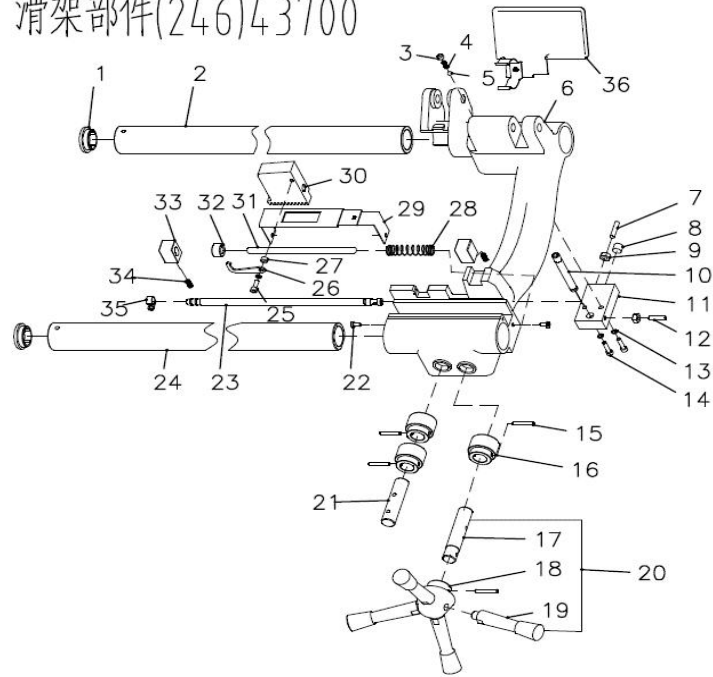
S/N	Ref. No.	品名	Description
1	41802018	后卡爪 (3)	Rear jaws (3)
2	40303059	后卡盘	Rear centering head
3	40303057	小螺盘	Rear scroll
4	50108019	B型孔用弹性挡圈d=180	Retaining ring D=180
5	30109016	后卡盘总成	Rear centering assembly
6	41902010	主轴衬套	sleeve
7	41705040	轴筒	drive shaft
8	40201020	大齿盘	ring gear
9	50105038	重性直槽弹性圆柱销6*16 (3)	pin 6*16 (3)
10	50105030	重性直槽弹性圆柱销4*16 (3)	pin 4*16 (3)
11	30109070	轴筒总成	Drive shaft complete
12	40303070	锤击盘	Hand wheel
13	50103039	内六角圆柱头螺钉M8*55 (6)	Bolt M8*55 (6)
14	50103140	开槽盘头螺钉 (6)	Bolt (6)
15	41001043	前卡爪挡板 (3)	Guard plate (3)
16	30108028	卡爪尖总成 (3)	Jaw insert set (3)
17	30108034	前卡爪总成 (3)	Front chuck Jaw Set (3)
18	40303071	卡盘体	Cap
19	40303069	大螺盘	Front scroll
20	30109017	前卡盘总成	Front chuck assembly
21	50105018	B型圆柱销8*30	Pin 8*30
22	50105039	重型直槽弹性圆柱销6*20 (3)	Elastic pin 6*20 (3)
23	50105032	重型直槽弹性圆柱销4*20 (3)	Elastic pin 4*20 (3)





滑架部件 (43700) Carriage

滑架部件(246)43700

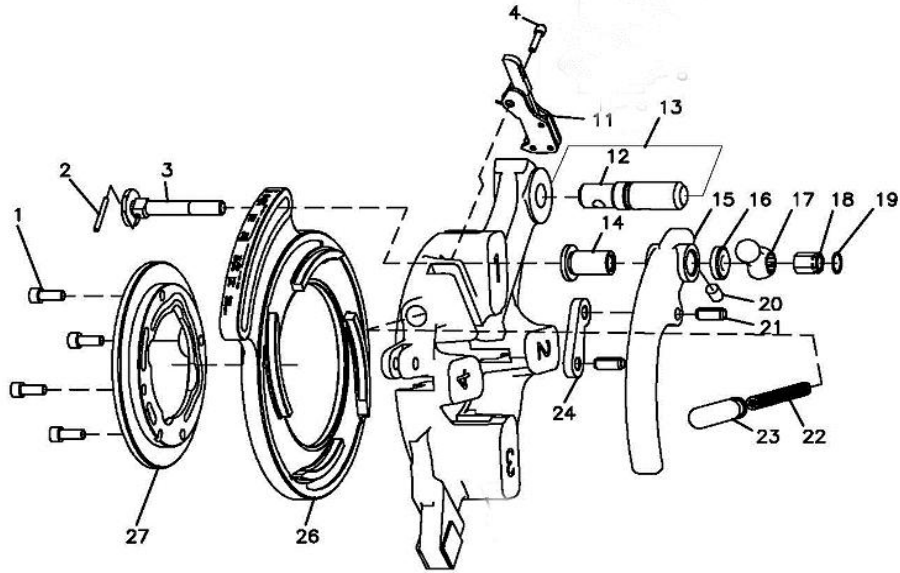


S/N	Ref. No.	品名	Description
1	41901015	后导柱端盖(2)	Rail plug (2)
2	41703021	后导柱	Rear rail
3	50103178	内六角圆柱端紧定螺钉	bolt
4	50702005	工具箱挡销压簧	Spring
5	50402004	钢球 φ6	Ball φ6
6	40301014	滑架	Carriage
7	50103120	内六角锥端紧定螺钉M6*30	bolt M6*30
8	50103114	内六角平端紧定螺钉M12*10	bolt M12*10
9	50102003	I型六角螺母 M6	Nut M6
10	41503019	滑架进油短管	Oil tube
11	41802024	溢流阀体	Overflow valve
12	50103119	内六角锥端紧定螺钉M6*25	Bolt M6*25
13	50107017	标准弹簧垫圈M5 (3)	Spacer (3)
14	50103008	内六角圆柱端紧定螺钉M5*25 (2)	bolt M5*25 (2)
15	50105037	重型直槽弹性圆柱销M5*30 (4)	pin M5*30 (4)
16	40201027	进刀齿轮 (3)	Feeding gear (3)
17	40206005	主动齿轴	Actuating gear shaft
18	41801028	手柄体	Feeding handle
19	41701024	手柄体杆	Handle bar
20	30104011	手柄体组件	Feeding handle complete
21	40206004	从动齿轴	Slave gear shaft
22	50103068	十字槽盘头螺钉M5*6 (2)	Bolt M5*6 (2)
23	41705042	滑架进油直管	Oil tube
24	41703020	前导柱	Front rail
25	50103005	内六角圆柱头螺钉M5*16	bolt M5*16
26	41001026	门栓	Latch
27	41503017	圆柱垫片	Spacer
28	50702012	正弦块压簧	Pressure spring
29	30103011	正弦块盖总成	Sine bar cover assembly
30	41802025	正弦块	Sine bar
31	41701023	导向杆	Regulating post
32	41503018	正弦块垫圈	Spacer
33	41802023	导向块(2)	Block (2)
34	50702011	压簧 (2)	Spring (2)
35	60303069	抱箍 M12	Clamp M12
36	30110001	挡油板总成	Oil guard





板牙头部件 (443) Die head



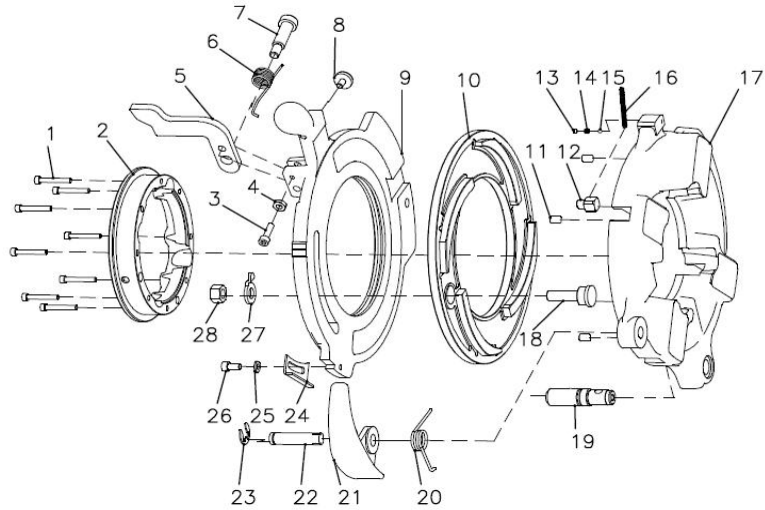
S/N	Ref. No.	品名	Description
1	50103153	内六角圆柱头螺钉 (4)	Screw (4)
2	50105029	轻型直槽弹性圆柱销3*28	Pin 3*28
3	40401020	锁紧螺钉	Lock screw
4	40401018	板机螺钉	Screw
11	30104007	板机	Trigger
12	30108035	支轴总成	post
13	30109043	板牙盘组件	Head /w post
14	41902003	定位套	Bushing
15	40901033	手柄	Throw-out lever
16	41502023	垫圈	Spacer
17	40901032	锁紧手柄	Clamp lever
18	40401019	八角螺母	Nut
19	50108022	轴用钢丝挡圈12*1	Retaining ring 12*1
20	41801013	塑料顶头	Insert
21	50105055	重型卷制弹性圆柱销8*19 (2)	Pin 8*19 (2)
22	50702007	压簧	Pressure spring
23	41701009	调节杆	Plunger
24	41803004	摆杆	Link
26	40303029	曲线盘	Cam plate
27	40303028	托盘	Retaining ring
	10603010	板牙头总成NPT 443	Die head NPT
	10603011	板牙头总成BSPT 443	Die head BSPT





板牙头部件 (444) Die head

板牙头部件(444)43401



S/N	Ref. No.	品名	Description
1	40401030	内六角圆柱头螺钉 (4)	Screw (4)
2	40303073	托盘	Retaining ring
3	50103158	内六角圆柱头螺钉	Screw
4	50102030	六角薄螺母	nut
5	41001025	挡板	Release foot
6	50703003	挡板扭簧	Torsion spring
7	40401030	板机螺钉	Screw
8	41801025	正弦块	Sine bar ball
9	40303075	曲线锁定盘	Cam locking plate
10	40303074	曲线盘	Cam plate
11	40403023	碰珠	insert
12	41702030	传动螺杆	Drive block
13	50103178	内六角锥端紧定螺钉	Screw
14	50702005	弹簧	Sping
15	50402004	钢球 6	ball 6
16	50702010	传动螺杆压簧	Spring
17	40303076	板牙盘	Head /w post
18	41702012	锁紧螺杆	Lock screw
19	30108035	支轴组件	post
20	50703001	扭簧	Torsion spring
21	40901048	解锁手柄	Release lever
22	40402018	开槽销钉	Groove pin
23	50108041	开口挡圈d=12	Clip d=12
24	40802006	止动牌	Lockout plate
25	50107038	平垫圈	washer
26	50103167	内六角圆柱头螺钉	Screw
27	41001008	止退刀垫片	Spacer
28	50102036	I型六角螺母	Hex Nut
	10603008	板牙头总成NPT 444	Die head NPT
	10603009	板牙头总成BSPT 444	Die head BSPT

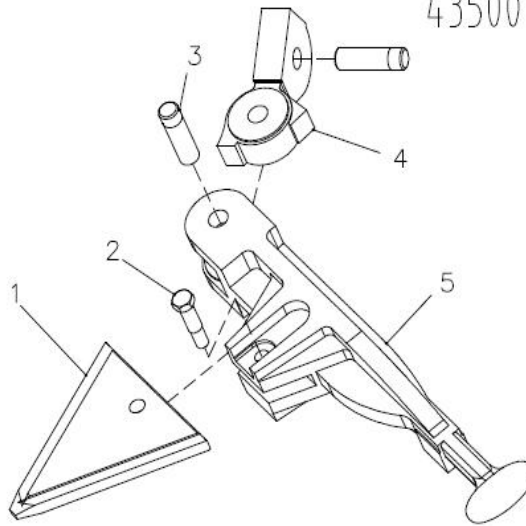




刮刀部件 (43500) Reamer

刮刀部件(544)

43500



S/N	Ref. No.	品名	Description
1	40602012	刮刀片	Reaming blade
2	50103001	B型六角头绞制孔用螺栓M8*35	bolt M8*35
3	40402022	刮刀支撑销(2)	Support pin(2)
4	40901050	旋转块	Rotating link
5	40304034	刮刀座	Reamer frame
	10703004	刮刀总成	Reamer complete

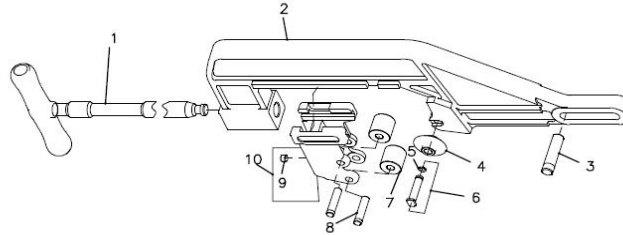




割刀部件 (43600) Cutter

割刀部件(642)

43600



S/N	Ref. No.	品名	Description
1	30109019	割刀手柄总成	Cutter handle
2	40304036	割刀架	Cutter frame
3	40402023	割刀体支撑销	Pin
4	40601005	割刀片大外圆	Cutting wheel
5	50705005	割刀轴弹簧卡圈	Clip
6	30108014	割刀轴总成	Wheel pin
7	41503036	滚轮 (2)	Roller (2)
8	42002014	滚轮轴 (2)	Roller pin (2)
9	41801010	顶珠	Insert
10	40304060	滚轮架总成	Roller housing
	10803002	割刀总成	cutter complete

