

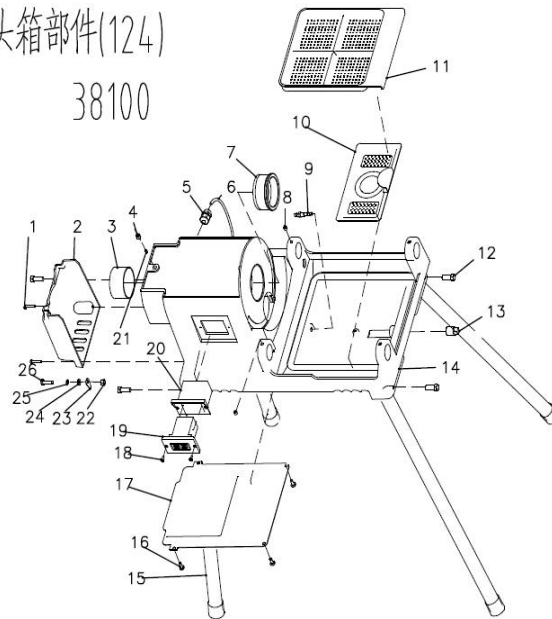


SQ50E 中英文爆炸图 (SQ50E spare parts list)

车头箱部件124Main Components

车头箱部件(124)

38100

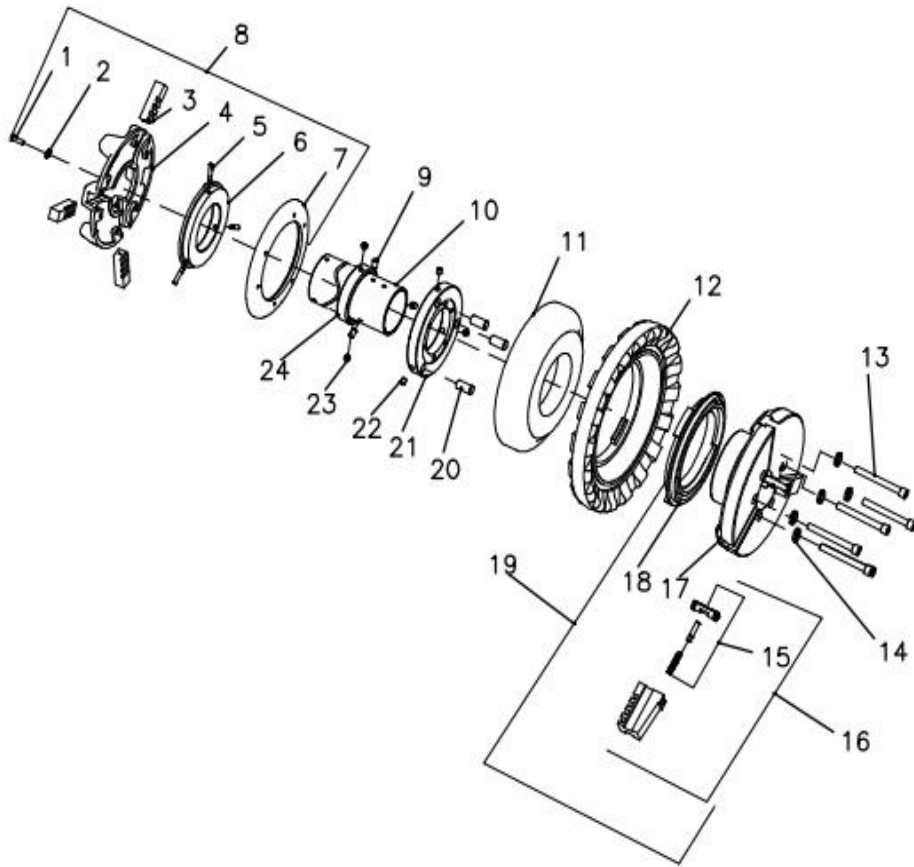


S/N	Ref. No.	品名	Description
1	50103150	十字盘头螺钉 (2)	Screw (2)
2	41401019	电机后盖	motor cover
3	41501007	后复合轴承	Rear Bearing bronze
4	50804005	铜油杯M10 (2)	Grease fitting M10 (2)
5	30403049	拉不脱 (M20)	Cable gland (M20)
6	30402021	美式线110V	Power cord
7	41501008	前粉末冶金轴承	Front Bearing
8	50103177	内六角圆柱头螺钉 (4)	Screw (4)
9	40401017	长接头	fitting
10	30203003	盛削盘总成	Chip tray
11	30203005	滤油盘总成	Oil pan liner
12	50101009	六角头螺栓 M10*25 (4)	Bolt M10*25 (4)
13	50804007	带边外方堵管1/2"	Plug 1/2"
14	40101009	机身	Casting body
15	41705026	长支脚 (4)	supporting leg (4)
16	50103069	十字盘头螺钉M5*8 (4)	Screw M5*8 (4)
17	41402005	底板	Bottom cover
18	50103064	十字盘头螺钉M4*10 (2)	Switch screw M4*10(2)
19	30402035	开关	Switch (push-button type)
20	41604007	开关盒	Switch box
21	50105051	重型直槽弹性圆柱销5*8(2)	Pin 5*8(2)
22	50102001	六角头螺母M4 (GB/T6170-2000)	Nut M4
23	40802001	地线标志	Ground Sign
24	50107001	平垫圈D=4 (GB/T97.3-2000)	Flat Washer D=4
25	50107016	标准弹性垫圈D=4 (GB/T93-87)	Spring Washer D=4
26	50103066	十字槽盘头螺钉M4x16 (GB/T818-2000)	Screw M4x16





车头轴部件 221Drive Components



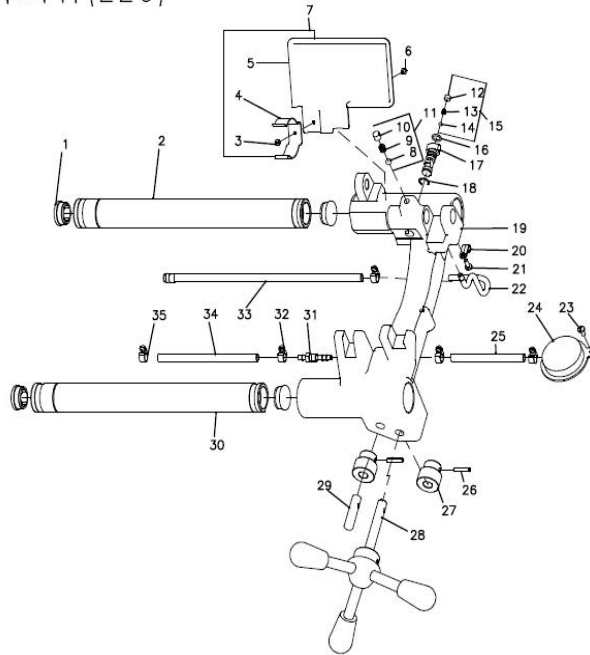
S/N	Ref. No.	品名	Description
1	50103139	开槽沉头螺钉 UNC12#-24x20 (6)	Screw UNC12#-24x20 (6)
2	50107037	锥形垫片D=6 (GB/T956-1) (6)	Lock Washer (6)
3	41802011	后卡爪 (3)	Rear Jaw (3)
4	40303081	后卡盘	Centering Head
5	40402005	小螺盘定位销 (3)	Step Pin
6	40303082	小螺盘	Rear scroll
7	40303024	小螺盘挡板	Back Plate
8	30109030	后卡盘总成	Rear Centering Assembly
9	50103188	内六角平端紧定螺钉UNF5/16-24x1/4 (3)	Screw UNF5/16-24x1/4 (3)
10	41705017	轴筒	Drive Shaft
11	40201007	大内齿盘	Ring Gear
12	40303084	锤击盘	Hand Wheel
13	50103161	内六角圆柱头螺钉UNC5/16-18x2 3/4 (6)	Screw UNC5/16-18x2 3/4 (6)
14	50107019	弹性垫圈D=8 (GB/T93-87) (6)	Spring Washer D=8 (6)
15	30108022	卡爪尖总成 (3)	Jaw Insert Set (3)
16	30109029	前卡爪总成 (3)	Chuck Jaw Set (3)
17	30109009	卡盘体	Cap
18	40303025	大螺盘	Front scroll
19	30109028	卡盘体组件	Cap Assembly
20	40402004	圆柱销 (3)	Drive Pin (3)
21	40303083	连接盘	Drive Ring
22	50103185	内六角圆柱端紧定螺钉UNF5/16-24x1/2 (3)	Screw UNF5/16-24x1/2 (3)
23	50103178	内六角圆柱头紧定螺钉UNF5/16-18x1/4 (2)	Screw UNC5/16-18x1/4 (2)
24	41502018	轴筒挡圈	Thrust Ring





滑架部件 228Carriage

滑架部件(228)



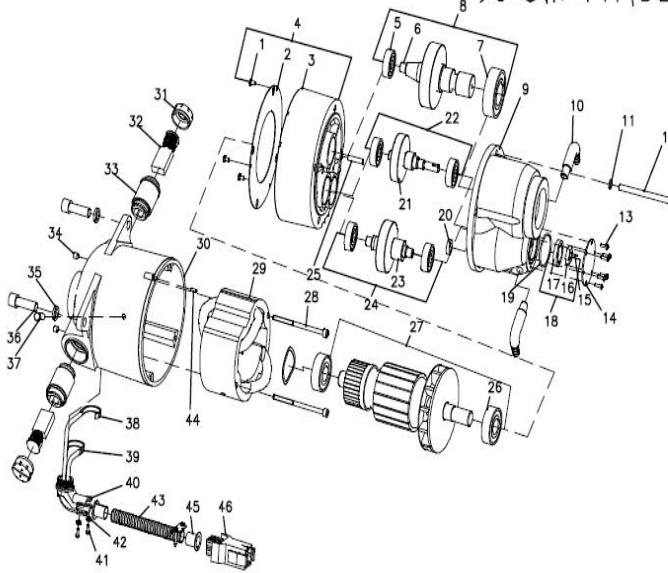
S/N	Ref. No.	品名	Description
1	41901009	导柱端盖 (4)	Rail plug
2	41703011	后导柱	Rear rail
3	50102001	螺母M4	Screw M4
4	41001016	挡油板卡圈	Clamp
5	41601001	挡油板	Oil baffle plate
6	50103064	十字盘头螺钉M4*10	Screw M4*10
7	30110001	挡油板总成	Oil guard
8	50402004	钢球Φ6	ball M6
9	#N/A	支轴弹簧	Post spring
10	50105014	内六角圆柱端紧定螺钉	Bolt
11	30108020	支轴定位总成	Detent assembly
12	50103178	内六角圆柱端紧定螺钉	Bolt
13	50702008	流量调节弹簧	Spring
14	50402003	钢球Φ5	Ball
15	30103004	流量调节球总成	Oil pressure relief set
16	50801034	O型密封圈10*1.8	O ring
17	40403001	调节阀	Valve
18	50108024	轴用挡圈d=15	Retaining ring
19	40301009	滑架	Carriage
20	41001014	进油接头定位卡	Clamp
21	50103071	十字盘头螺钉M5*12	Screw
22	41705022	进油接头	Oil tube
23	50103087	十字半沉头螺钉M6*9	Screw
24	41902006	滤油器	Filter
25	41705083	滤油器油管Φ10.5*110	Oil tube
26	50105036	重型直槽弹性圆柱销5*25 (2)	Pin
27	40201008	进刀齿轮 (2)	Pinion
28	30104008	手柄总成	Feeding handle
29	40206001	从动齿轮	Pinion Idler Shaft
30	41703010	前导柱	Front rail
31	40401017	长接头	Fitting
32	60303069	抱箍M12(7)	Hoop M12(7)
33	41705083	油泵出油管Φ10.5*1.5*790	Carriage oil line
34	41705083	油泵出油管Φ10.5*1.5*470	Oil intake line





变速箱部件 324Gear Box Part

变速箱部件(324)



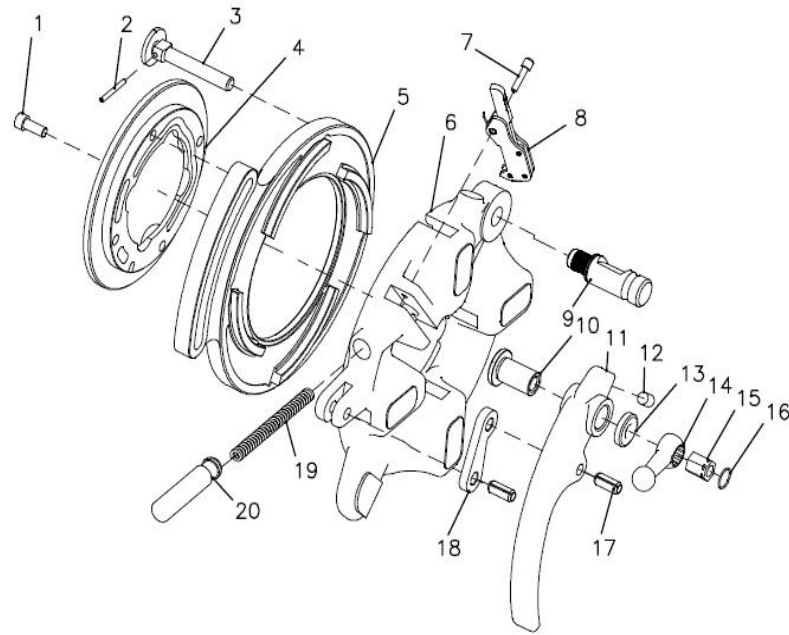
S/N	Ref. No.	品名	Description
1	50103144	十字槽盘头螺钉UNC6#-32x3/8 (3)	Screw UNC6#-32x3/8 (3)
4	30403038	电机端盖总成	Fan Housing Assembly
5	50401002	带密封圈深沟球轴承6200 (GB/T26-94)	Gear Bearing 6200
7	50401015	带密封圈深沟球轴承6205 (GB/T276-94)	Front Bearing 6205
8	30102022	驱动齿轮总成 (38转)	Drive Gear Assembly (38RPM)
9	40302021	变速箱体	Gear Housing
10	41705021	直角接头	Oil elbow
11	50107043	标准弹性垫片UNC1/4	Lock Washer UNC1/4
12	50103170	电机长螺钉UNC1/4-20x75 (4)	Screw UNC1/4-20x75 (4)
13	50103145	十字盘头螺钉 (6)	Screw (6)
14	41901007	油泵端盖	Cover plate
18	30403037	油泵转子总成	Gerotor set
19	50801018	O型圈Φ34.5*1.8	O ring 34.5*1.8
20	41502061	密封圈	Seal ring
22	30102018	1级传动齿轴总成	1st gear assembly
24	30102020	2级传动齿轴总成	2nd gear assembly
25	40402006	美制圆柱销	Dowel Pin
26	50401009	深沟球轴承6203 (GB/T26-1994) (2)	Armature Bearing 6203 (2)
27	30403031	转子总成 (220V)	Armature (220V)
	30403027	转子总成 (110V)	Armature (110V)
28	50103152	内六角圆柱头螺钉UNC10#-24x80) (2)	Mounting Screw UNC10#-24x80) (2)
29	30403030	定子总成 (220V)	Field (220V)
	30403026	定子总成 (110V)	Field (110V)
30	30403039	电机壳总成	Motor housing
31	30403032	碳刷盖 (2)	Carbon Brush Cap (2)
32	30403034	碳刷 (2) (一付)	Carbon Brush Assembly (2)
33	30403033	碳刷架 (2)	Brush Holder Assembly (2)
34	50103182	内六角锥端紧定螺钉UNC1/4-20x1/4) (2)	Screw UNC1/4-20x1/4) (2)
35	50107044	标准弹性垫圈UNC3/8 (2)	Spring Washer UNC3/8 (2)
36	50103166	内六角圆柱头螺钉UNC3/8-16x30 (2)	Screw UNC3/8-16x30 (2)
37	50101026	六角头螺栓	Bolt
38	30402010	白色刷架引线	Upper Lead Wire
39	30402009	红色刷架引线	Lower Lead Wire
40	30403043	弯管接套	Connector 90 degree
41	50103142	十字槽盘头螺钉UNC10#-24x16 (2)	Locking Screw UNC10#-24x16 (2)
42	50107028	外齿垫片D=5 (GB/T862.1-1987)	Spacer D=5
43	30403042	电线护套	Wire Trunking
44	50105003	圆柱销3.2*9	Lock pin 3.2*9
45	#N/A	压线头 (2)	Line pressing head (2)
46	30403044	专用插头	Motor Plug
	10501038	电机总成 220V	Motor complete
	10501039	电机总成 110V	Motor complete
	#N/A	电机齿轮箱总成220V	Motor complete+gear box complete
	#N/A	电机齿轮箱总成110V	Motor complete+gear box complete





板牙头部件 424 Die head

板牙头部件(424)

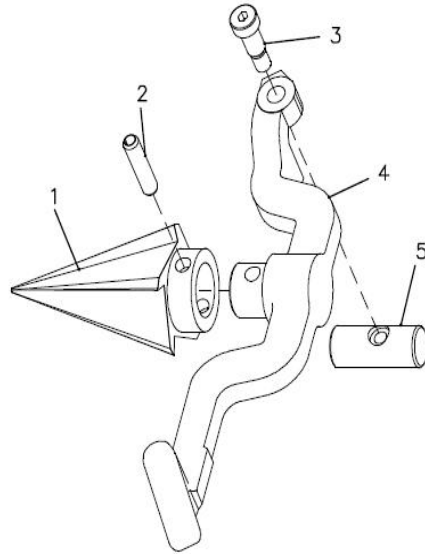


S/N	Ref. No.	品名	Description
1	50103155	内六角圆柱头螺钉(4)	Screw (4)
2	50105029	锥型直槽弹性圆柱销Φ3*28	Pin Φ3*28
3	40401020	锁紧螺钉	Lock Screw
4	40303028	托盘	Retaining ring
5	40303029	曲线盘	Cam plate
6	40303030	板牙盘	Head /w post
7	40401018	扳机螺钉	Trigger screw
8	30104007	扳机总成	Trigger complete
9	30108019	支轴总成	Post
10	41902003	定位套	Bushing
11	40901033	手柄	Throw-out lever
12	41801013	塑料顶头	Insert
13	41502023	垫圈	Washer
14	40901032	锁紧手柄	Clamp lever
15	40401019	八角螺母	Nut
16	50108022	轴用钢丝挡圈d12	Block ring d12
17	50105055	重型卷制弹性圆柱销Φ8*19 (2)	Roll pin Φ8*19 (2)
18	41803004	摆杆	Throw-out link
19	50702007	压簧	Spring
20	41701009	调节杆	Throw-out plunger
	#N/A	424 NPT板牙头总成 815A	Die head complete NPT
	#N/A	424 BSPT板牙头总成 815A	Die head complete BSPT





刮刀部件 525 Reamer

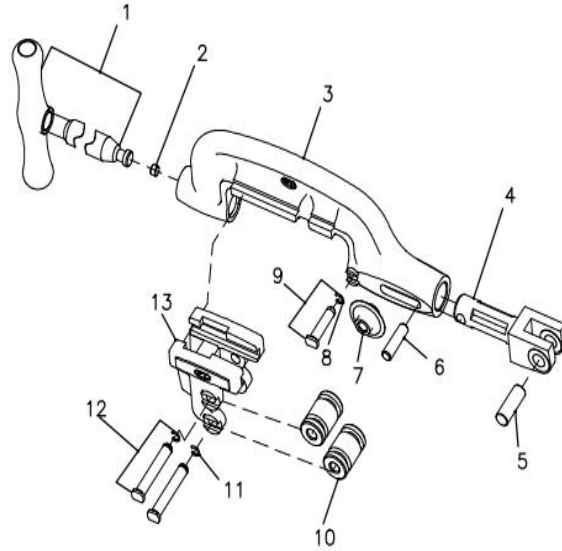


S/N	Ref. No.	品名	Description
1	40602006	五棱刮刀	Cone
2	50105046	重型直槽圆柱销Φ8*35	Roll pin Φ8*35
3	40401021	刮刀连接螺钉	Shoulder bolt
4	40304021	刮刀架	Reamer arm
5	42002010	刮刀连接轴	Pivot pin
	10701006	刮刀总成	Reamer complete





割刀部件 624 (37600) Cutter



S/N	Ref. No.	品名	Description
1	30104004	手柄组件	Handle Component
2	41801010	顶柱	Support Pillar
3	40304019	割刀架	Cutter Frame
4	42001017	连接轴	Support Arm
5	40402009	支撑销	Pin
6	40402008	定位销	Retaining Pin
7	40601006	割刀片	Cutting Wheel
8	50705005	割刀轴弹簧圈Φ1.4x9	Cutter Shaft Ring Φ1.4x9
9	42001018	割刀轴组件 (1)	Wheel pin
10	40403029	滚轮 (2)	Roll (2)
11	50705006	滚珠轴弹簧圈Φ1.4x10 (2)	Ring Φ1.4x10 (2)
12	42001019	滚轮轴组件 (2)	Roll pin (2)
13	40304018	滚轮架	Roll Housing Assembly

