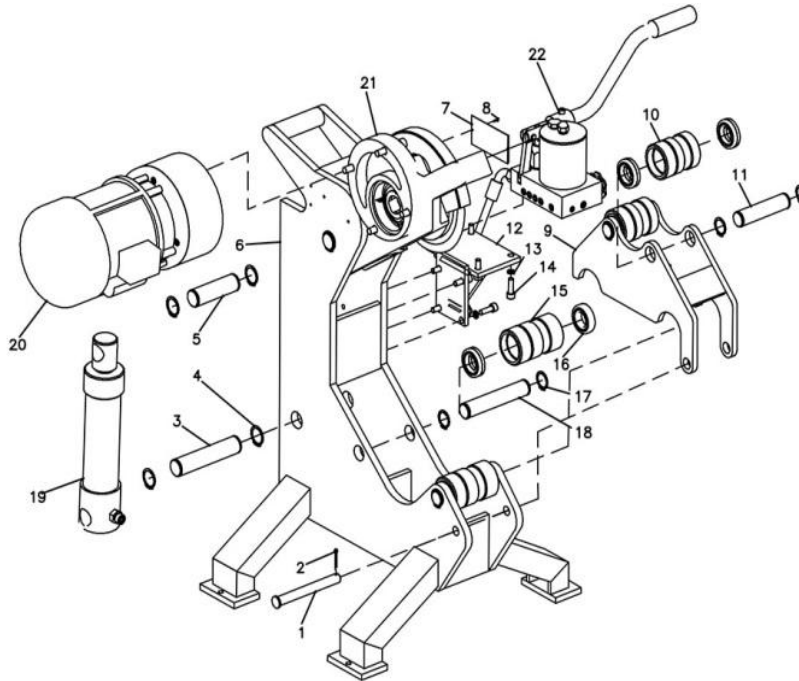


QG12C 中英文爆炸图 (QG12C Spare part list)
机架部件Frame spare part list (110) -76100

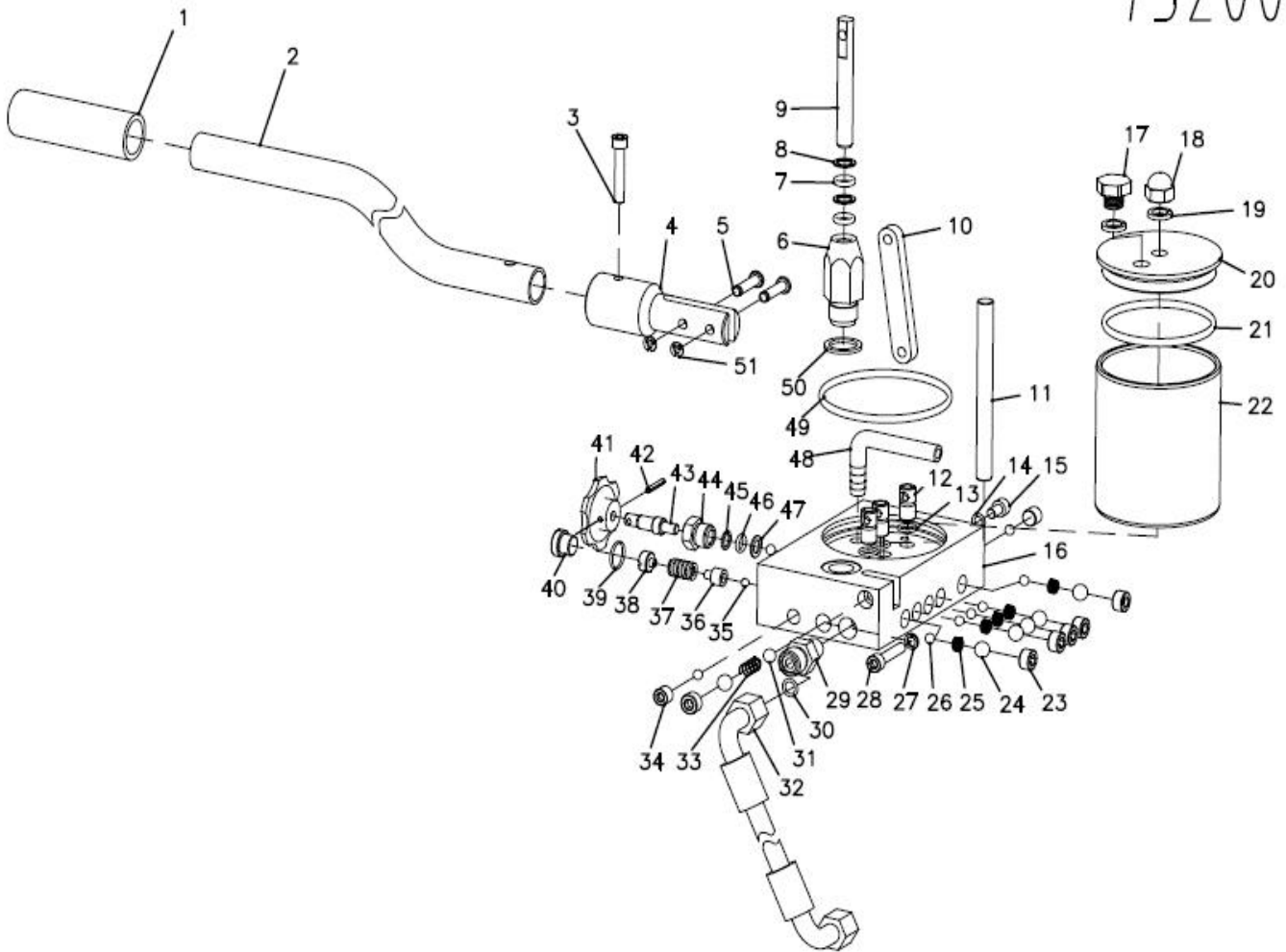


| S/N | Ref. No. | 品名 | Description |
|-----|----------|----------------------|---------------------------------|
| 1 | 42002038 | 支轴III | Shaft |
| 2 | 50105060 | 开口销4*32 | Clip4*32 |
| 3 | 42002036 | 支轴I d=28 (2) | Shaft d=28 |
| 4 | 50108032 | A型轴用挡圈28 (6) | Retaining ring 28 |
| 5 | 42002040 | 支轴II d=28 | Cylinder pin d=28 |
| 6 | 40103002 | 机架 | Frame |
| 7 | 40801006 | 切管机铭牌 | Nameplate |
| 8 | 50104003 | 铆钉2.5*6 (2) | Rivet |
| 9 | 40103007 | 小管支架 | Upper roller hub |
| 10 | 41503030 | 短滚轮 | Upper roller |
| 11 | 42002039 | 短滚轮轴 (2) | Upper roller pin |
| 12 | 40903001 | 泵座 | Pump rest |
| 13 | 50107019 | 垫圈8 (8) | Gasket 8 |
| 14 | 50103034 | 螺钉M8*25 (8) | Screw M8*25 (8) |
| 15 | 41503031 | 长滚轮 (2) | Lower roller |
| 16 | 50401014 | 轴承6005-2RZ (8) | Bearing |
| 17 | 50108031 | A型轴用挡圈d=25 (8) | Retaining ring d=25 |
| 18 | 42002035 | 长滚轮轴d=25(2) | Roller pin d=25 |
| 19 | 10902001 | 油缸总成 | Cylinder complete |
| 20 | 10503001 | 变速箱部件 (电机齿轮箱总成) | Gear box complete with motor |
| 21 | 10806001 | 割刀臂总成 | Cutter arm complete |
| 22 | 10901005 | 手动泵总成-208A | Pump complete |
| | 10901006 | QG12C脚踏泵总成 | Foot pump complete |



手动泵部件Hand pump spare part list (208A) -75201

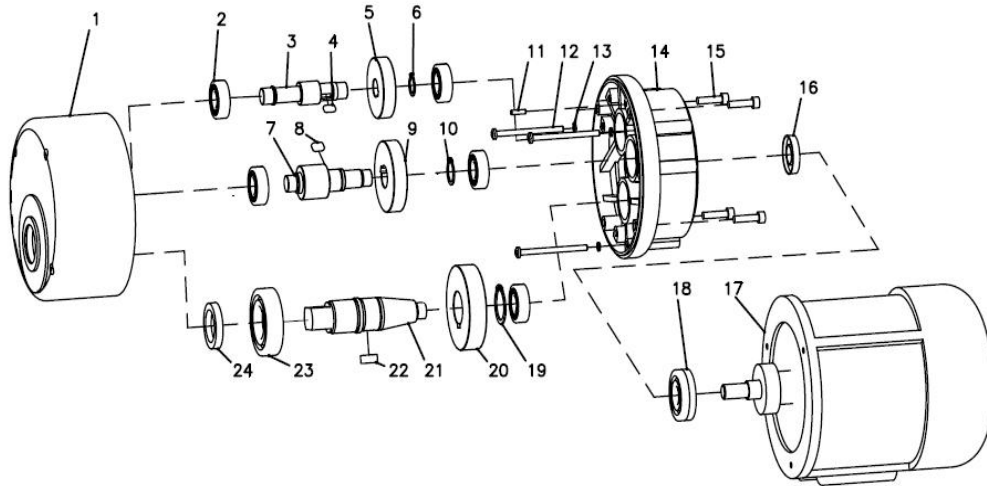
75200



| S/N | new Ref. No. | 品名 | Description |
|-----|--------------|-----------------------------|------------------------|
| 1 | 41902016 | 把手套 | Hand grip |
| 2 | 41705053 | 手柄 | Handle |
| 3 | 50103022 | 螺钉M6×35 | Screw M6×35 |
| 4 | 41002005 | 连杆 | Handle connector |
| 5 | 42001028 | 销轴 (2) | Pin |
| 6 | 40401044 | 柱塞阀体 | Plunger valve |
| 7 | 50801039 | O型圈ORAP10Aφ9.8×2.4 | O ring |
| 8 | 50802002 | 挡圈P10A (10×14×1.25) (2) | Retaining ring |
| 9 | 41701027 | 柱塞杆 | Plunger rod |
| 10 | 41701026 | 支撑杆 (2) | supporting rod |
| 11 | 41701040 | 连接杆 | Connection rod |
| 12 | 40403016 | 吸油管 | Oil absorption tube |
| 13 | 50801006 | O型圈9×1.8(3) | O ring |
| 14 | 50801002 | O型圈5.6×1.8 | O ring |
| 15 | 50103014 | 螺钉M6×10 | Screw M6×10 |
| 16 | 41802046 | 泵体 | Pump body |
| 17 | 40403037 | 减速机通气塞M12×1.5 | Reducer plug |
| 18 | 50102022 | 盖形螺母M10 | Screw M10 |
| 19 | 50802014 | 组合垫圈10(2) | Gasket(2) |
| 20 | 41901028 | 盖板 | Cover plate |
| 21 | 50801026 | O型圈65×3.55 | O ring |
| 22 | 41603010 | 储油筒 | Oil reservoir |
| 23 | #N/A | 螺塞B (6) | Plug |
| 24 | 50402006 | 钢球10 (6) | Steel ball 10 |
| 25 | 50702014 | 弹簧B (5) | Spring |
| 26 | 50402004 | 钢球6 (8) | Steel ball 6 |
| 27 | 50107018 | 弹性垫圈6 | Gasket |
| 28 | 40402032 | 螺钉销 | Screw Pin |
| 29 | 40401069 | 油管接头 | Oil hose connector |
| 30 | 50801003 | O型圈7.5×1.8 | O ring 7.5*1.8 |
| 31 | 50402005 | 钢球8 | Steel ball |
| 32 | 41705071 | 高压油管 | High pressure hose |
| 33 | 50702024 | 弹簧 | Spring |
| 34 | #N/A | 螺塞A(2) | Screw Plug |
| 35 | 50402003 | 钢球5 | Steel ball |
| 36 | 41802032 | 钢球座 | Steel ball rest |
| 37 | 50702016 | 矩形调压弹簧 | Spring |
| 38 | 40401046 | 调压螺钉 | Screw |
| 39 | 50801009 | O型圈11.2×1.8 | O ring 11.2*1.8 |
| 40 | 40401045 | 螺钉 | Screw |
| 41 | 41801035 | 星形手柄 | Handle |
| 42 | 50105027 | 弹性圆柱销3×16 | Pin 3*6 |
| 43 | 41701028 | 回油杆 | Oil returning rod |
| 44 | 40401047 | 回油杆座 | Oil returning rod seat |
| 45 | 50802001 | 挡圈P8 (8×11×1.25) | Retaining ring |
| 46 | 50801037 | O型密封圈ORBP8φ7.8×1.9 | O ring |
| 47 | 50107053 | 紫铜垫圈B | Copper Gasket |
| 48 | 41705015 | 油管 | Oil tube |
| 49 | 50801028 | O型圈80×3.55 | O ring 80*3.55 |
| 50 | 50107052 | 紫铜垫圈A | Copper Gasket |
| 51 | 50105060 | 开口挡圈d4(2) | Retaining ring |



减速机部件Gear housing spart part list (308)

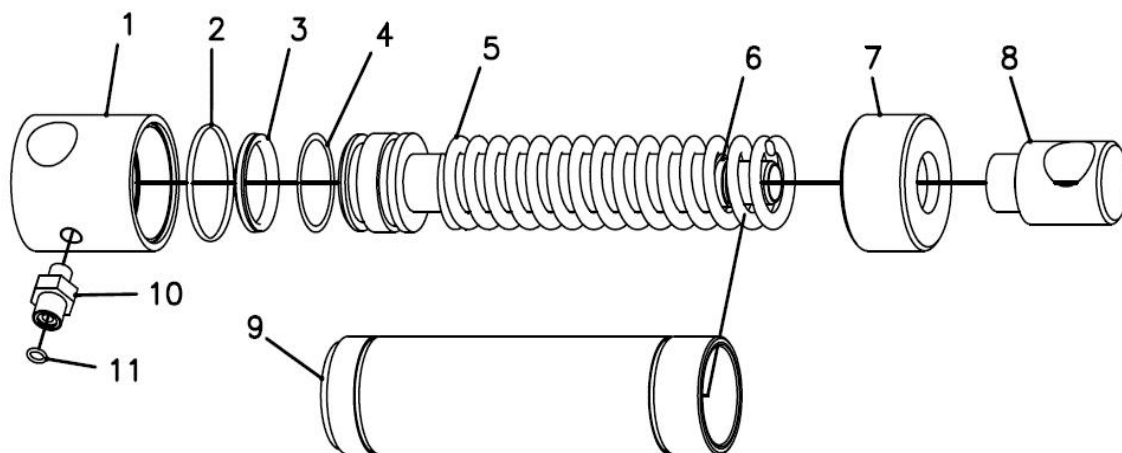


| S/N | new Ref. No. | 品名 | Description |
|-----|--------------|---------------------|---------------------|
| 1 | 40302049 | 减速箱体/变速箱体 | Gear housing |
| 2 | 50401008 | 轴承6202-2RZ (5) | bearing |
| 3 | 40205070 | I级齿轴 | 1st gear shaft |
| 4 | 50106005 | 平键5×5×12 | key5×5×12 |
| 5 | 40202049 | 高速齿轮 | Hi-speed gear |
| 6 | 50108025 | A型轴用挡圈d=16 | Retaining ring d=16 |
| 7 | 40205071 | II级齿轴 | 2nd gear shaft |
| 8 | 50106013 | 平键6×6×12 | Key 6×6×12 |
| 9 | 40202050 | 中速齿轮 | M-speed gear |
| 10 | 50108028 | A型轴用挡圈d=20 | Retaining ring d=20 |
| 11 | 50105006 | B型圆柱销4×16 | Roll pin 4*16 |
| 12 | 50103077 | 十字槽盘头螺钉 M5×70 (3) | Screw M5×70 |
| 13 | 50107017 | 标准型弹簧垫圈d=5(3) | Spacer d=5 |
| 14 | 40302048 | 电机端前盖 | Motor front cover |
| 15 | 50103020 | 内六角圆柱头螺钉M6*25 (4) | Screw M6*25 (4) |
| 16 | 50803005 | 唇型密封圈B30×42×7 | Seal B30*42*7 |
| 17 | 30401056 | 电机 | Motor |
| 18 | 50401023 | 轴承6303-2RZ | Bearing |
| 19 | 50108033 | A型轴用挡圈d=30 | Retaining ring d=30 |
| 20 | 40202048 | 低速齿轮 | L-speed gear |
| 21 | 40206035 | 输出轴 | Output shaft |
| 22 | 50106019 | 平键8×7×17 | Key 8×7×17 |
| 23 | 50401018 | 轴承6206-2RZ | Bearing |
| 24 | 50803001 | 唇型密封圈B17×35×7 | Seal B17*35*7 |
| | 30402039 | 开关 | Switch |





油缸部件 Cylinder spare part list (407) -75400

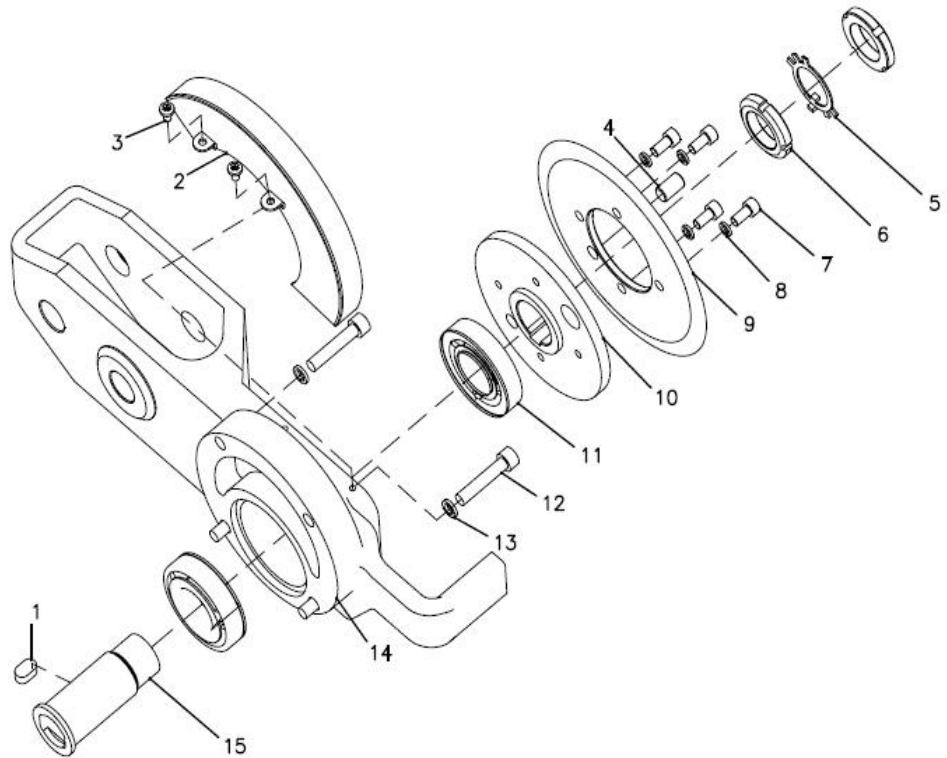


| S/N | new Ref. No. | 品名 | Description |
|-----|--------------|------------------|--------------------|
| 1 | 40903002 | 底座 | Cylinder base |
| 2 | 50801033 | O型密封圈56×3.55 | O ring 56*3.55 |
| 3 | 50802012 | 孔用Y型密封圈D50 | Y ring D50 |
| 4 | 50801043 | O型密封圈50×43.7×1.5 | O ring 50*43.7*1.5 |
| 5 | 50702025 | 压缩弹簧 | Compression spring |
| 6 | 42002037 | 活塞杆 | Piston rod |
| 7 | 41901029 | 钢盖 | Steel cover |
| 8 | 41801053 | 液压顶头 | Connector |
| 9 | 41705072 | 缸体 | Cylinder |
| 10 | 40401069 | 油管接头 | Hose connector |
| 11 | 50801003 | O型密封圈7.5×18 | O ring |





割刀臂部件Pivot arm spare part list (604) -76600



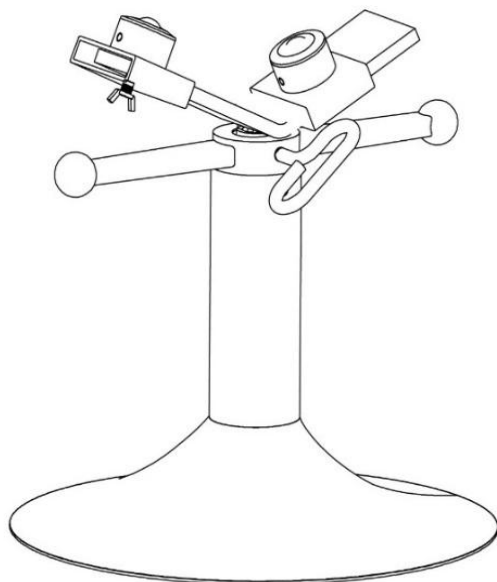
| S/N | new Ref. No. | 品名 | Description |
|-----|--------------|--------------------|-------------------|
| 1 | 50106025 | 平键12×8×20 | Key 12×8×20 |
| 2 | 40103005 | 罩壳 | wheel guard |
| 3 | 50103070 | 十字槽盘头螺钉M5×10 (2) | Screw M5×10 (2) |
| 4 | 50105024 | 圆柱销13×22 | Pinφ13*22 |
| 5 | 50107025 | 止动垫圈36 | Gasket 36 |
| 6 | 50102025 | 圆螺母M36×1.5 (2) | Locking nut |
| 7 | 50103031 | 螺钉M8×16 (4) | Screw M8×16 (4) |
| 8 | 50107019 | 垫圈M8 | Spacer |
| 9 | 40601012 | 割刀片 | Cutting wheel |
| | 40601011 | 割刀片 (外购) | Cutting wheel |
| 10 | 41801054 | 割刀座 | Wheel hub |
| 11 | 50401042 | 圆锥滚子轴承30208 (2) | Needle bearing |
| 12 | 50103051 | 内六角圆柱头螺钉M10×50 | Screw M10×50 |
| 13 | 50107020 | 垫圈M10 (4) | Spacer |



支架 pipe support (658C) --65500

管子支架部件 (658C)

66502



| S/N | new Ref. No. | 品名 | Description |
|-----|--------------|------------------|--------------|
| 1 | 11002009 | 1105支架(厂内型号658C) | Pipe support |