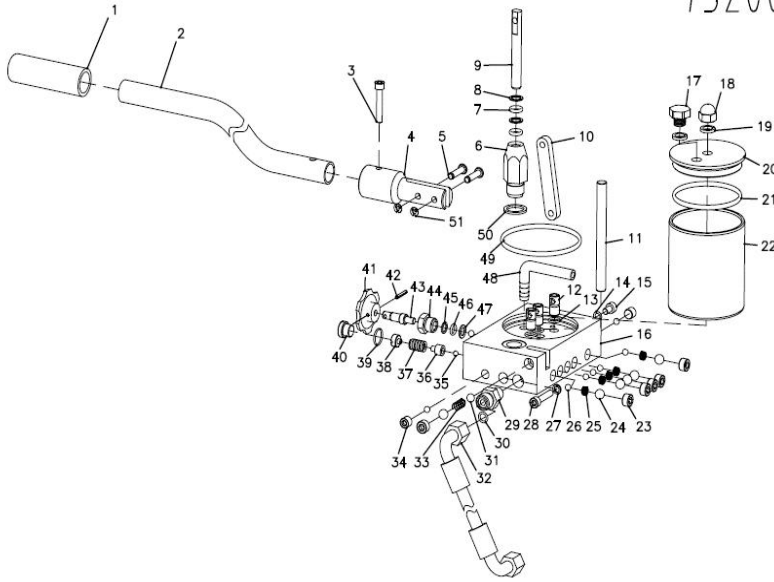


S/N	new Ref. No.	品名	Description
1	40103001	机架	Frame
2	50108032	轴用挡圈28 (6)	Retaining ring
3	42002036	支轴I d=28(2)	Shaft
4	42002034	支轴	Shaft
5	50104003	标牌铆钉BL22×10 (2)	Rivet
6	40801005	切管机铭牌	Nameplate
7	40903001	泵座	Pump rest
8	50107019	垫圈8 (8)	Gasket
9	50103034	螺钉M8×25 (8)	Screw M8×25 (8)
10	41503029	滚轮 (3)	Roller
11	50401014	轴承6005-2RZ (6)	Bearing
12	42002035	长滚轮轴d=25(3)	Roller pin
13	50108031	轴用挡圈25 (6)	Retaining ring
14	10902001	油缸总成	Cylinder complete
15	10503002	减速机总成(齿轮箱电机总成)	Gear box complete with motor
16	10806003	割刀臂总成	Cutter arm complete
17	10901005	手动泵总成-208	Manual pump complete
	30402039	开关	Switch

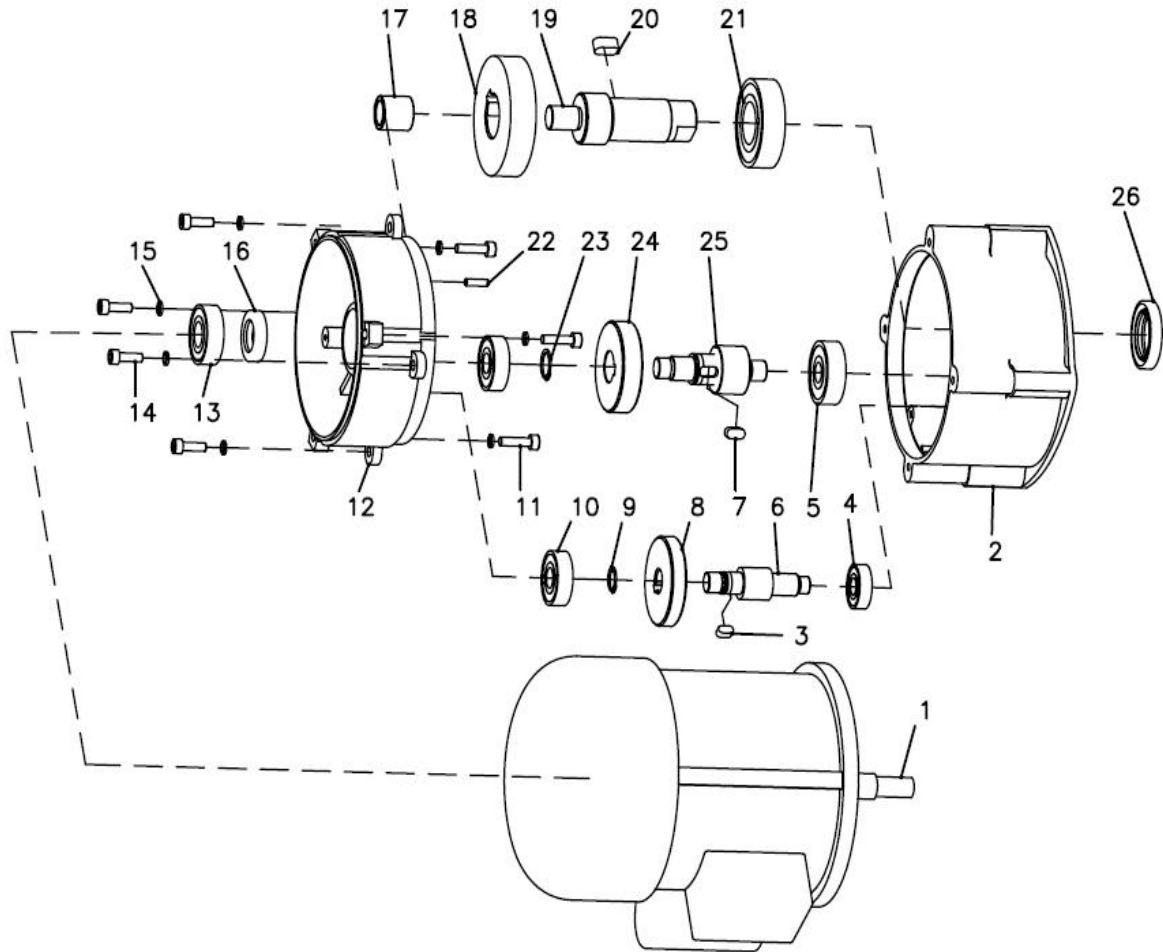


75200



S/N	Ref. No.	品名	Description	S/N	Ref. No.	品名	Description
1	41902016	把手套	Hand grip	27	50107018	弹性垫圈6	Gasket
2	41705053	手柄	Handle	28	40402032	螺钉销	Screw Pin
3	50103022	螺钉M6×35	Screw M6×35	29	40401069	油管接头	Oil hose connector
4	41002005	连杆	Handle connector	30	50801003	O型圈7.5×1.8	O ring 7.5*1.8
5	42001028	销轴 (2)	Pin	31	50402005	钢球8	Steel ball
6	40401044	柱塞阀体	Plunger valve	32	41705071	高压油管	High pressure hose
7	50801039	O型圈ORAP10Aφ9.8×2.4	O ring	33	50702024	弹簧	Spring
8	50802002	挡圈P10A (10×14×1.25)	Retaining ring	34	#N/A	螺塞A(2)	Screw Plug
9	41701027	柱塞杆	Plunger rod	35	50402003	钢球5	Steel ball
10	41701026	支撑杆 (2)	Supporting rod	36	41802032	钢球座	Steel ball rest
11	41701040	连接杆	Connection rod	37	50702016	矩形调压弹簧	Spring
12	40403016	吸油管	Oil absorption tube	38	40401046	调压螺钉	Screw
13	50801006	O型圈9×1.8(3)	O ring	39	50801009	O型圈11.2×1.8	O ring 11.2*1.8
14	50801002	O型圈5.6×1.8	O ring	40	40401045	螺钉	Screw
15	50103014	螺钉M6×10	Screw M6×10	41	41801035	星形手柄	Handle
16	41802046	泵体	Pump body	42	50105027	弹性圆柱销3×16	Pin 3*6
17	40403037	减速机通气塞M12×1.5	Reducer plug	43	41701028	回油杆	Oil returning rod
18	50102022	盖形螺母M10	Screw M10	44	40401047	回油杆座	Oil returning rod seat
19	50802014	组合垫圈10(2)	Gasket(2)	45	50802001	挡圈P8 (8×11×1.25)	Retaining ring
20	41901028	盖板	Cover plate	46	50801037	O型密封圈 ORB8φ7.8×1.9	O ring
21	50801026	O型圈65×3.55	O ring	47	50107053	紫铜垫圈B	Copper Gasket
22	41603010	储油筒	Oil reservoir	48	41705015	油管	Oil tube
23	#N/A	螺塞B (6)	Plug	49	50801028	O型圈80×3.55	O ring 80*3.55
24	50402006	钢球10 (6)	Steel ball 10	50	50107052	紫铜垫圈A	Copper Gasket
25	50702014	弹簧B (5)	Spring	51	50105060	开口挡圈d4(2)	Retaining ring
26	50402004	钢球6 (8)	Steel ball 6				

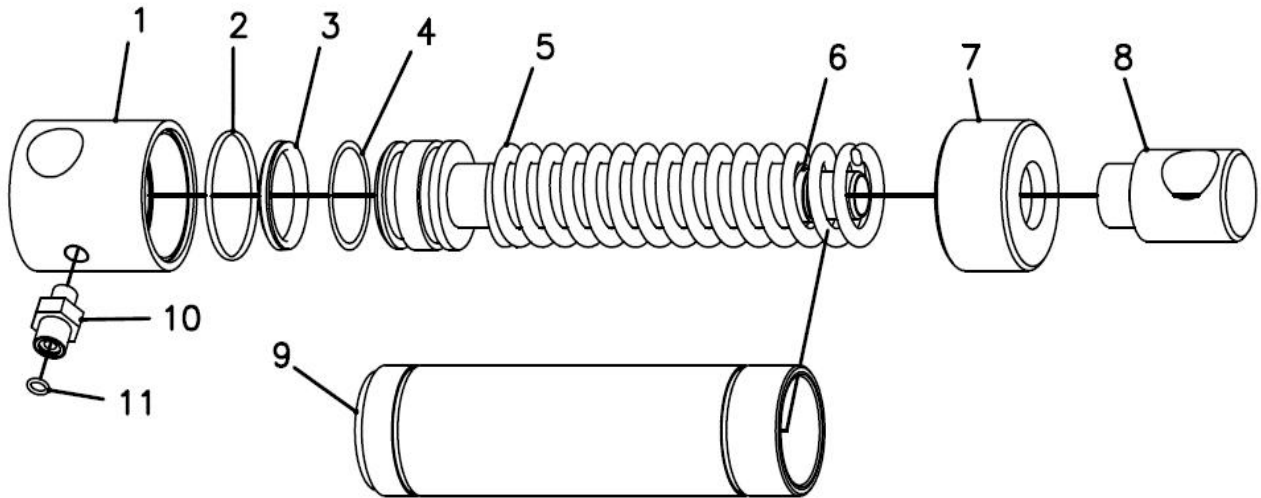




S/N	Ref. No.	品名	Description	S/N	Ref. No.	品名	Description
1	30401053	电机220V	Motor 220V	14	50103005	内六角圆柱头螺钉 M5*16 (4)	Screw M5*16
	30102055	电机110V	Motor 110V	15	50107017	弹性垫片d=5 (7)	Spacer
2	40302045	变速箱体	Gear housing	16	50803015	唇型密封圈 B15×30×7	Seal
3	50106004	平键5×5×10	key5×5×10	17	50401060	自润滑镶嵌轴承	Bearing
4	50401001	轴承6000	Bearing	18	40202042	低速齿轮	L-speed gear
5	50401005	轴承6301	Bearing	19	40206033	输出轴	Output shaft
6	40205065	I级齿轴	1st gear shaft	20	50106018	平键8×7×16	key 8×7×16
7	50106013	平键6×6×12	key 6×6×12	21	50401015	轴承6205-RZ	Bearing
8	40202043	高速齿轮	Hi-speed gear	22	50105005	弹性圆柱销 φ4×15 (2)	Pin φ4*15
9	50108023	A型轴用挡圈d=13	Retaining ring	23	50108027	A型轴用挡圈d=18	Retaining ring
10	50401004	轴承6201 (2)	Bearing	24	40202044	中速齿轮	M-speed gear shaft
11	50103007	内六角圆柱头螺钉 M5*20 (3)	Screw M5*20	25	40205066	II级齿轴	2nd gear shaft
12	40302044	电机前端盖	Motor front cover	26	50803002	唇型密封圈 B25×40×7	Seal
13	50401008	轴承6202-2RZ	Bearing		30402039	开关	switch



油缸部件 Cylinder spare part list (407) -75400

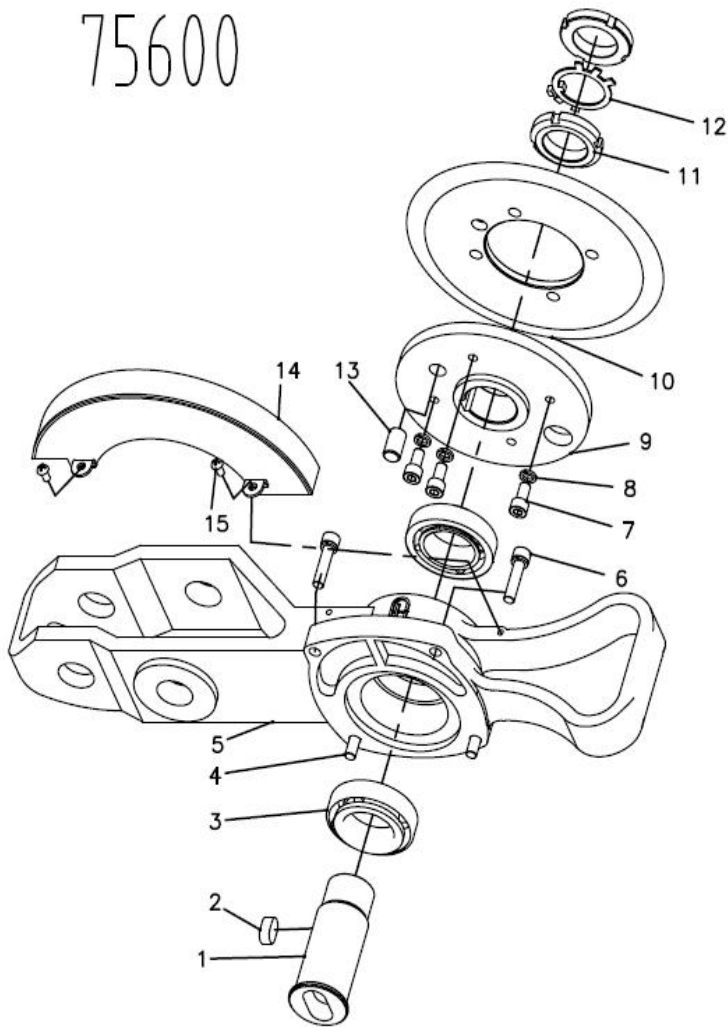


S/N	Ref. No.	品名	Description
1	40903002	底座	Cylinder base
2	50801033	O型密封圈56×3.55	O ring 56*3.55
3	50802012	孔用Y型密封圈D50	Y ring D50
4	50801043	O型密封圈50×43.7×1.5	O ring 50*43.7*1.5
5	50702025	压缩弹簧	Compression spring
6	42002037	活塞杆	Piston rod
7	41901029	钢盖	Steel cover
8	41801053	液压顶头	Connector
9	41705072	缸体	Cylinder
10	40401069	油管接头	Hose connector
11	50801003	O型密封圈7.5×18	O ring

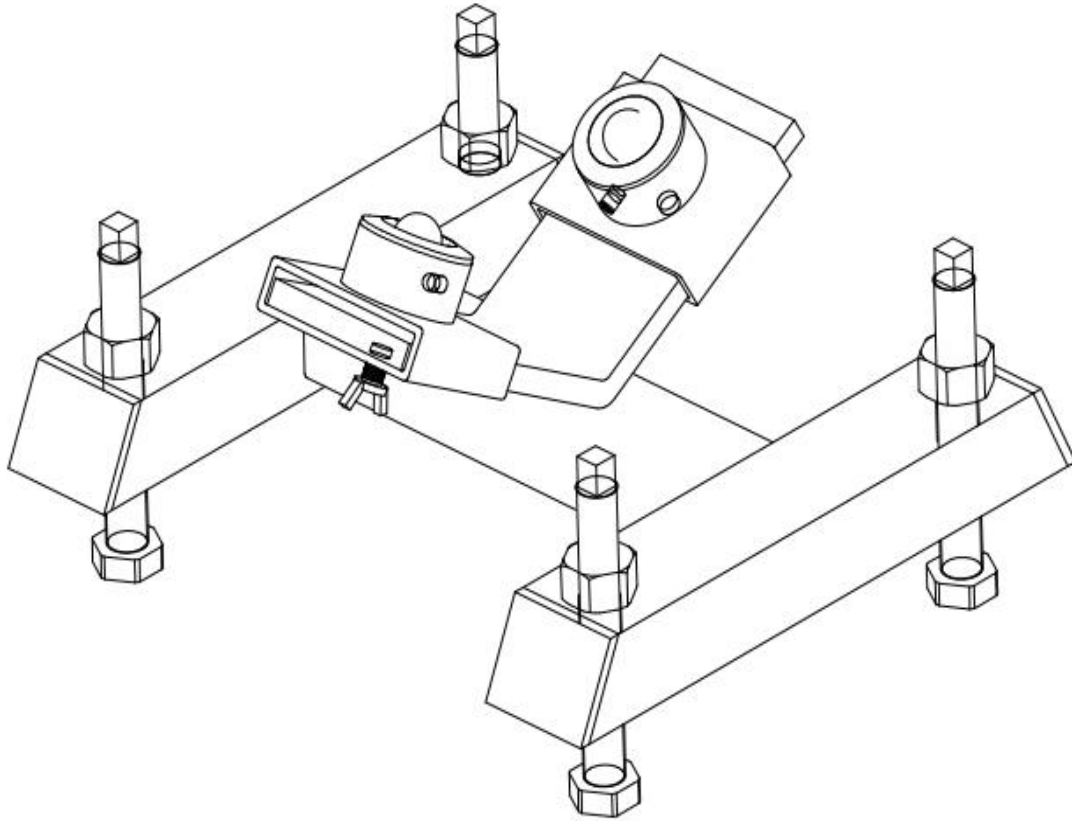




75600



S/N	Ref. No.	品名	Description
1	42002048	割刀轴	Drive shaft
2	50106025	平键12×8×20	Key 12×8×20
3	50401041	圆锥滚子轴承	Needle bearing
4	50103042	螺钉M8×70	Screw M8×70
5	40601011	割刀臂	Pivot arm
6	50103036	螺钉M8×35 (3)	Screw M8×35 (3)
7	50103031	螺钉M8×16 (4)	Screw M8×16 (4)
8	50107019	垫圈D8 (8)	Spacer
9	41801054	割刀座	Wheel hub
10	40601012	割刀片	Cutting wheel
11	40601011	割刀片 (外购)	Cutting wheel
12	50102025	圆螺母M36×1.5 (2)	Locking nut
13	50107025	止动垫圈36	Gasket
14	50105024	圆柱销13×22	Pinφ13*22
15	40103004	罩壳	Wheel guard
16	50103070	十字槽盘头螺钉M5×10	Screw M5×10 (2)



S/N	Ref. No.	品名	Description
1	11003002	支架体(厂内型号657A)	Pipe support

