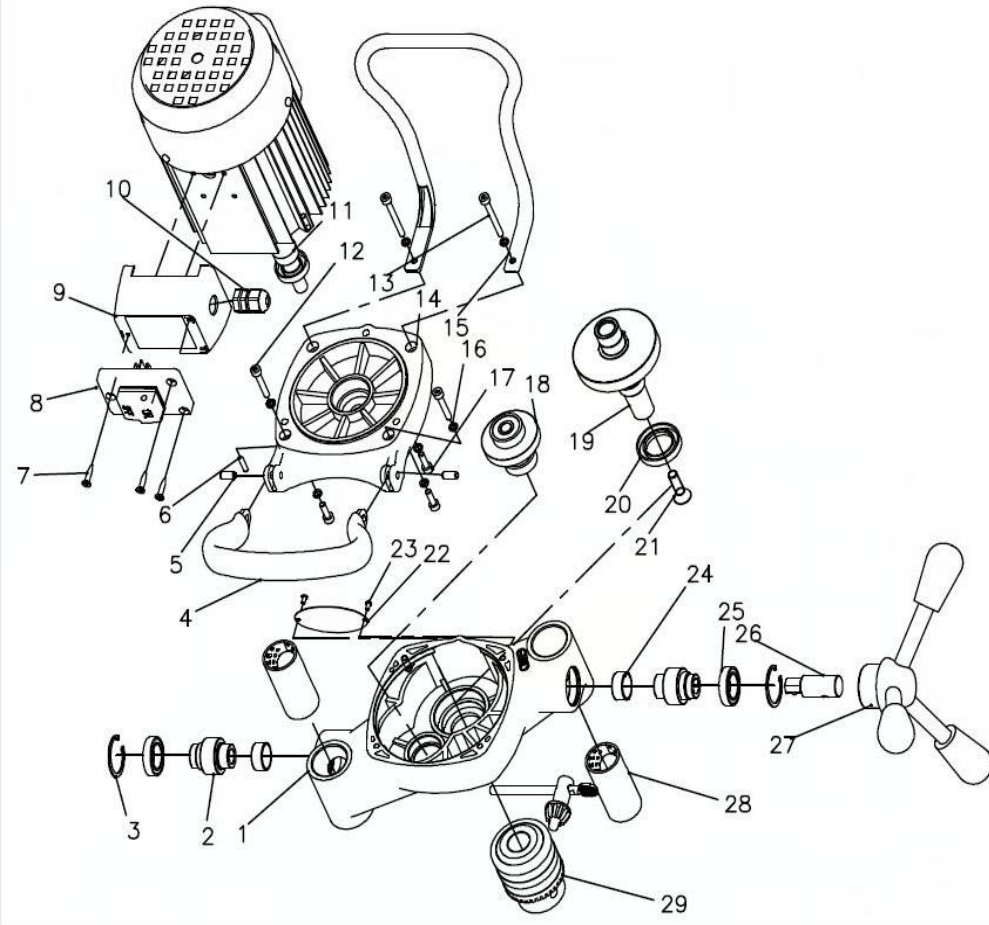




JK114 中英文爆炸图 (JK114 Hole Cutting Machine spare parts list)

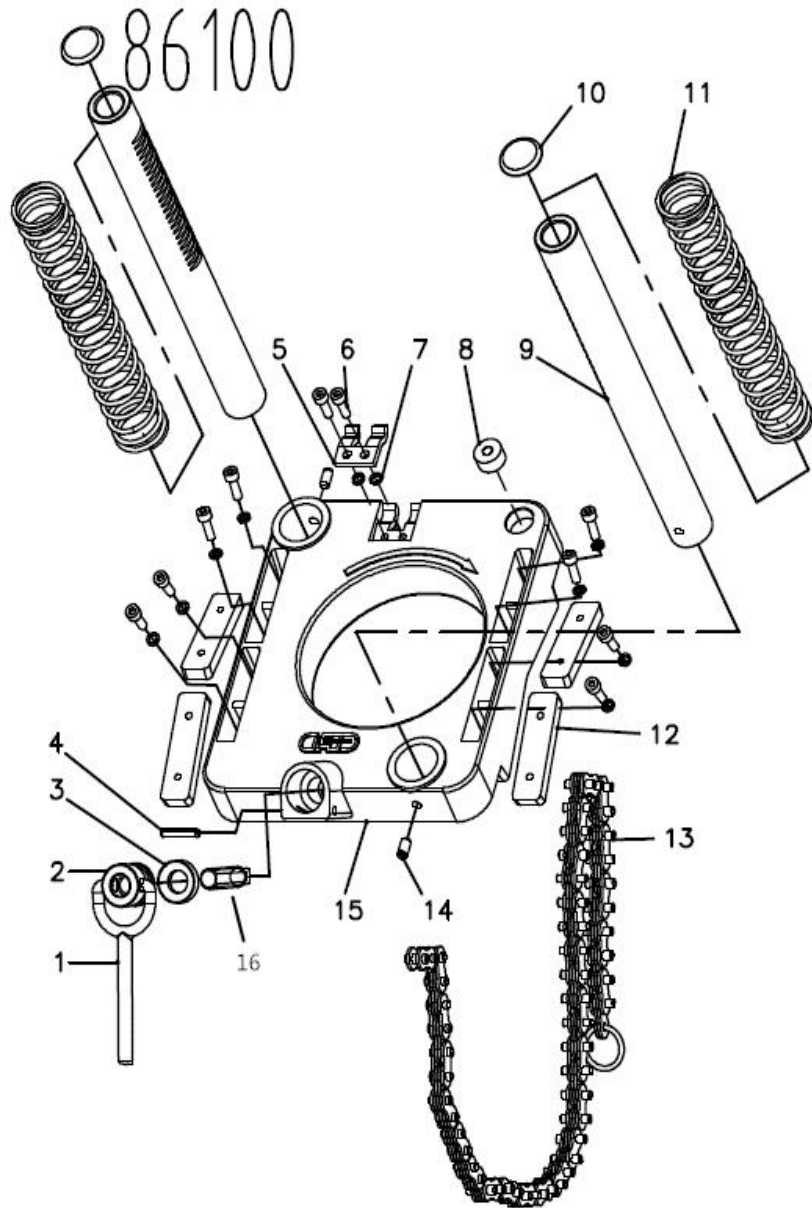
变速箱部件 (86300) Mortor & Gearbox complete



S/N	Ref. No.	品名	Description
1	40302043	变速箱体	Gear housing
2	40201029	进刀齿轮 (2)	Feeding gear (2)
3	50108007	A型孔用挡圈d32 (2)	Circlip d32 (2)
4	30104016	提手总成	Samll handle
5	50105038	重型直槽弹性圆柱销6*15 (2)	Pin 6*15 (2)
6	50105006	A型圆柱销4*16	Pin 4*16
7	50103074	十字槽沉头木螺钉m5*20 (3)	Screw m5*20 (3)
8	30402045	按钮开关	ON/OFF switch
9	41604006	开关盒	switch box
10	30403047	拉不脱M16	Grommet M16
11	30401049	电机总成 220V	Motor 220V
	30401048	电机总成 110V	Motor 110V
12	50103009	内六角圆柱头螺钉M5*30 (2)	Screw m5*30 (2)
13	50103011	内六角圆柱头螺钉M5*50 (2)	Screw m5*50 (2)
14	40302042	电机端盖	Motor cover
15	41705070	大手柄	Big Handle
16	50107017	标准型弹性垫圈d=5 (7)	Elastic washer d=5 (7)
17	50103005	内六角圆柱头螺钉M5*16 (3)	Screw M5*16 (3)
18	30102051	高速齿轴总成	High speed gear Assy.
19	30102052	输出轴总成	Output gear Assy.
20	50803002	旋转轴唇形密封圈b25*40*7	Seal ring b25*40*7
21	50103134	内六角花形沉头螺钉m8*30	Screw m8*30
22	50104004	半圆头铆钉3*6 (2)	Rivet 3*6 (2)
23	40801004	铭牌	Nameplate
24	50401062	甲醛复合材料轴套 (2)	Shaft sleeve (2)
25	50401011	深沟球轴承61804 (2)	Bearing (2)
26	30104015	手轮轴总成	Handle post
27	30104013	手柄	Handle
28	50401062	甲醛复合材料轴套 (2)	Shaft sleeve (2)
29	30108042	钻夹头	Drill chuck



支撑座部件 (86100) Support seat complete



S/N	new Ref. No.	品名	Description
1	40905002	手柄	Lever
2	40401068	夹紧螺母	Clamping nut
3	41502052	防磨环	Wear ring
4	50105036	重型直槽弹性圆柱销5*25	Pin 5*25
5	41005001	衬垫	Liner
6	50103005	内六角圆柱头螺钉M5*15 (10)	Screw M5*15 (10)
7	50107017	标准型弹性垫圈M5 (10)	Elastic washer M5 (10)
8	30112014	水平仪	Level vial
9	41705069	导柱 (2)	Guide rod (2)
10	41901027	大导柱盖 (2)	Guide rod cap (2)
11	50702028	压簧 (2)	Spring (2)
12	40501019	支撑板 (4)	Support plate
13	30101007	链条总成	Chain
14	50105013	螺纹圆柱销6*12 (2)	Pin 6*12 (2)
15	40105003	底座	Base
16	41702025	夹紧螺杆	Clamping rod