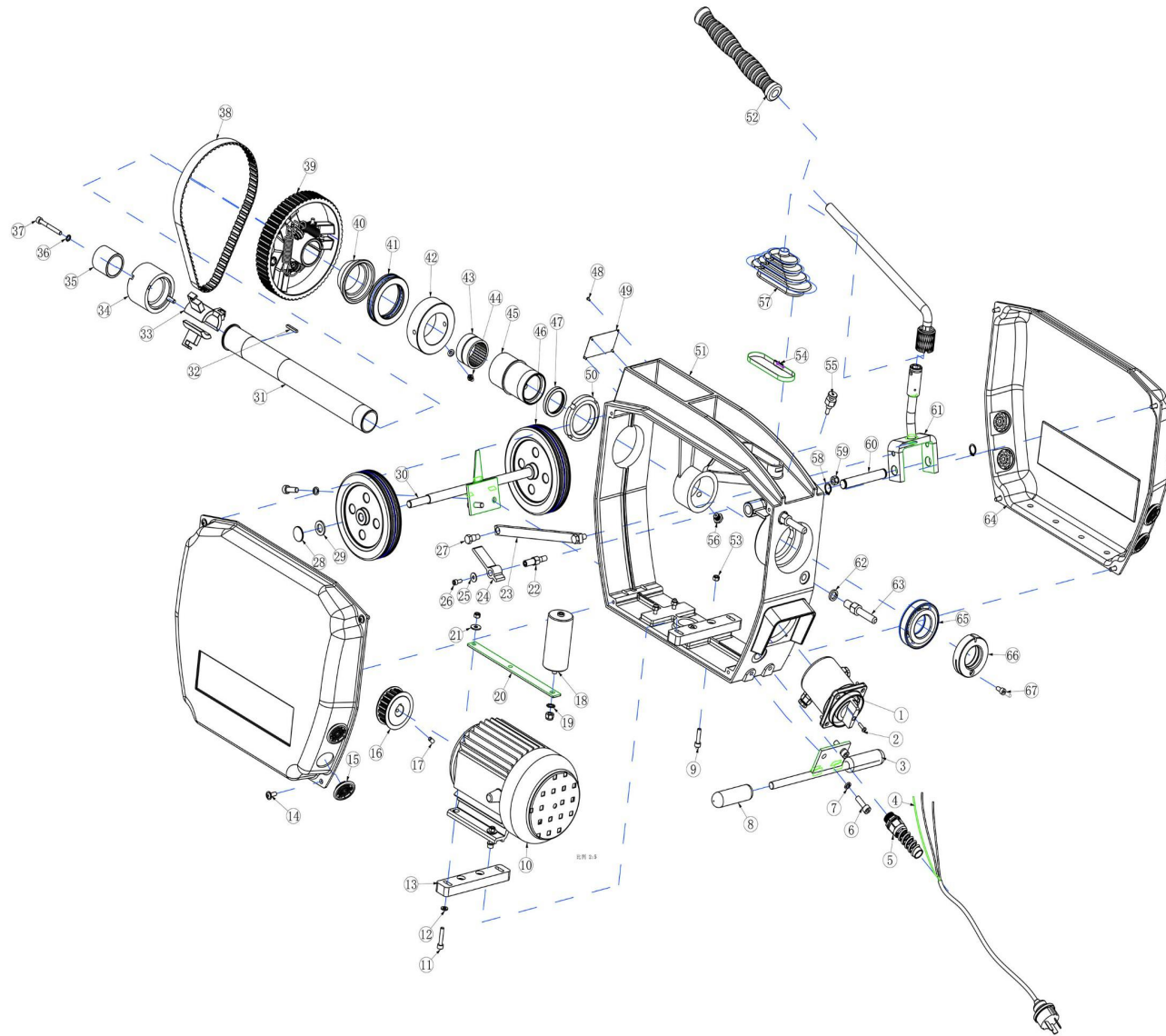


A200 spare parts list)



S/N	Ref. No.	Description	Quantity	S/N	Ref. No.	Description	Quantity
1	30402072	Switch	1	34	41801080	Limiting housing	1
2		Screw	4	35	41902053	Protect sleeve	1
3	30202050	Support leg	1	36		Washer	2
4		Power cord	1	37		Screw	2
5		Grommet	1	38		Synchronous belt	1
6		Screw	4	39	30101019	Large Synchronous pulley	1
7		Spacer	4	40	41902055	Tapered sleeve	1
8	41902042	Rubber sleeve	2	41		Ball bearing	1
9		Screw	4	42	41902054	Rotation sleeve	1
10	30401066	Motor 220V	1	43		Needle bearing NK40/30	1
	30401069	Motor 110V	1	44		Grease fitting	1
11		Screw	4	45	41705120	Guiding cylinder	1
12		C spacer	5	46	30112042	Transportation wheel	2
13	41802061	Motor mounting block	2	47		Seal	1
14	40401095	Hex screw	8	48		Rivet	4
15	41901035	Ventilation plug	8	49	40801016	Label	1
16		L type minor synchro	1	50		Round nut	1
17		Lock screw	1	51	40104012	Casting frame	1
18		Capacitor	1	52	41902039	Hand grip	1
19		Lock washer	1	53		Lock nut	8
20	41404054	Locking plate	1	54		Clamp	1
21		Washer	4	55	30108063	Lock pin assembly	1
22	42001045	Shaft	1	56		Grease fitting	1
23	41701071	Swing link	2	57	41902036	Hood	1
24	40904005	Limit post	1	58		Retaining ring	2
25		Washer	1	59		Lock nut	2
26		Screw	1	60	42002069	Clutch shaft	1
27	40401104	Bolt	4	61	30103022	Clutch	1
28		Retaining ring	2	62		Spacer	2
29		Flat spacer	2	63	40401103	Lock screw	2

30	30202051	Wheel shaft	1	64	40104011	Cover	2
31	42002068	Drive shaft	1	65		Bearing	1
32		Flat key	1	66	40401105	Lock nut	1
33	41803043	Clamping block	3	67		Hex screw	1