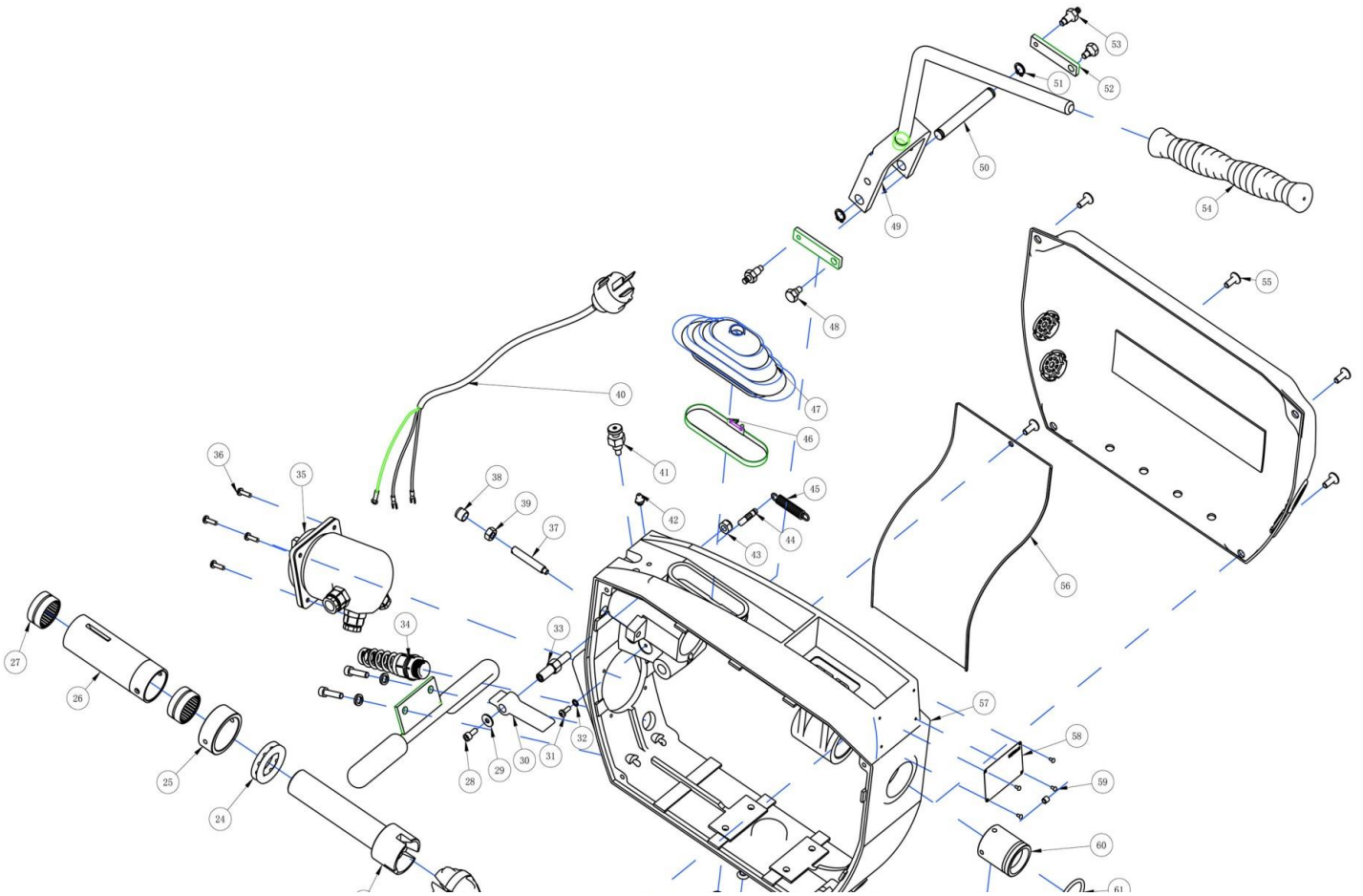


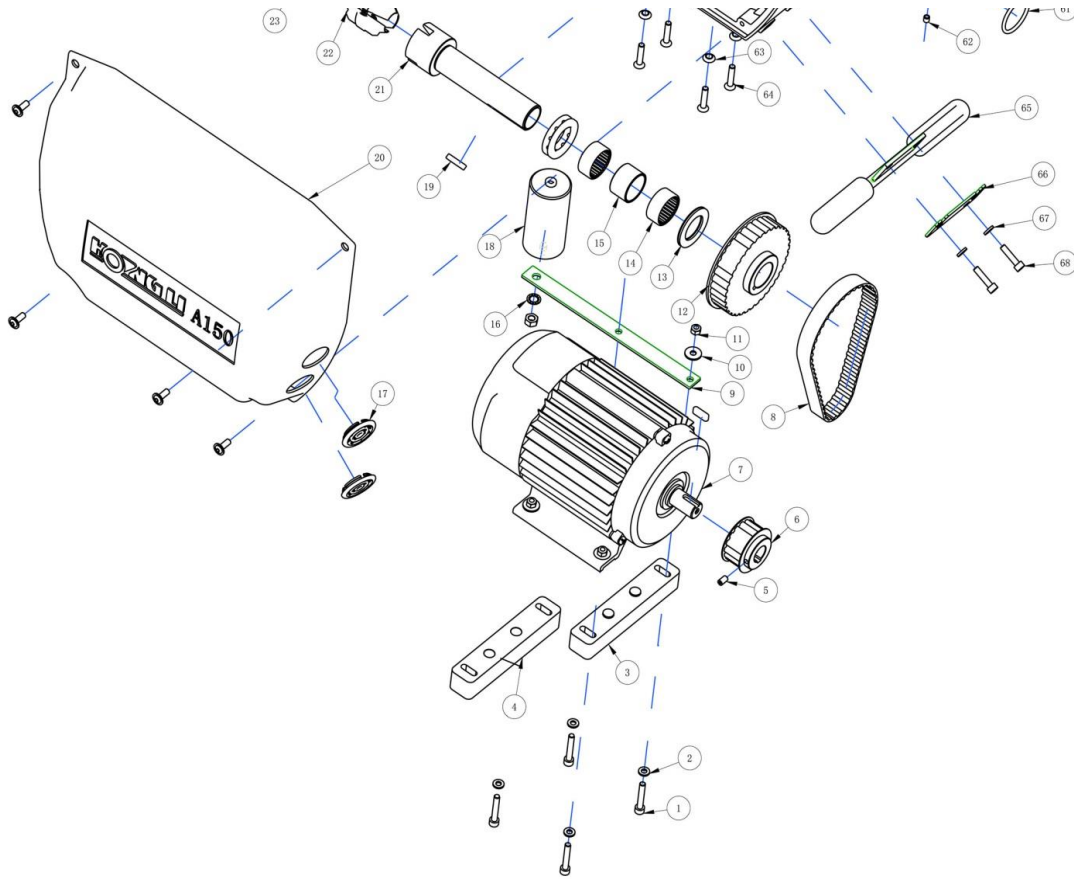


HANGZHOU HONGLI PIPE MACHINERY CO.,LTD

No.2 Xingxing Road, Xingqiao Economic Development District, Yuhang District, Hangzhou 311100,P.R.China
Tel: 0086-571-86260602 Fax:0086-571-86260893 Email:sales@draincleaning.cn

A150中英文爆炸图 (A150 spare parts list)





S/N	ERP. No.	品名	Description	Quantity	S/N	ERP. No.	品名	Description	Quantity
1		内六角圆柱头螺钉 M6X35 b=27	ScrewM6X35 b=27	4	37		开槽长圆柱端紧定螺钉	Screw	1
2		A级平垫圈 M6	A grade Washer M6	4	38	40402069	塑料堵头	Plastic plug	1
3	30109067	电机安装后脚总成	Rear Leg Assy.	1	39		C级六角螺母M8	C grade Nut M8	2
4	30109068	电机安装前脚总成	Front Leg Assy.	1	40	30402067/30402066	电源线	Power Cord	1
5		内六角凹端紧定螺钉M6X10	ScrewM6X10	1	41	30108058	定位插销总成	Lock pin Assy.	1
6		L型小同步带轮	L type small synchrono	1	42		直通式压注油杯 M6	Oil cup M6	2
7	30401067	电机总成	Motor complete	1	43		1型非金属嵌件六角锁紧螺母M8	Nut M8	1
8		L型同步带	Ltype synchronous be	1	44	40402066	拉簧销	Pin	1
9	41404054	电容定位板	Capacitor locking plate	1	45	40502002	拨叉拉簧	Tension spring	1
10		A和C级大垫圈 M6	A and C grade Washer	4	46		美式卡箍	Clamp	1
11		1型非金属嵌件六角锁紧螺母M6	Nut M6	4	47	41902036	拨叉防护套	Fork protective cover	1
12		L型大同步带轮	L type large synchrono	1	48	40401096	摆杆小螺钉	Screw	2
13		推力滚针轴承带保持架 AXK3047 AS3047 30x47x16	Bearing AXK3047 AS3	1	49	30202042	拨叉总成	Fork Assy.	1
14		冲压外圈滚针轴承 HK3016 30X37X16	Bearing HK3016 30X3	2	50	42002057	拨叉轴	Fork shaft	1
15	41902040	定位环 Q235	Retaining ring	1	51		A型轴用挡圈d=12	A type Retaining ring	2
16		内齿锁紧垫圈 M8	Washer M8	1	52	41701060	摆杆	Swing link	2
17	41901053	通风窗	Ventilation plug	8	53	40401097	摆杆拉簧螺钉	Screw	2
18		电机自带电容	Capacitor	1	54	41902039	拨叉杆手柄	Handle	1
19		A型普通平键5X25	Key5X25	1	55	40401095	定制内六角大圆头螺钉	Hex Bolt	9
20	40104002	外壳	Plastic Cover	2	56	41401037	电机防护板	Water-proof plate	1
21	42002058	前离合轴	Front Clutch shaft	1	57	40104003	机架	Frame	1
22	30102062	抱轴总成	Clutch Jaw Assembly	1	58	40801014	铭牌	Name plate	1
23	42002059	后离合轴	Rear Clutch shaft	1	59		铭牌铆钉	Name plate screw	4
24		单向推力球轴承51106 30X47X11	Bearing 51106 30X47X	2	60	41902037	前离合轴定位套	Front Clutch shaft loc	1
25	41502071	定位环 Q235	Retaining ring	1	61		O型密封圈	O ring	1
26	41902038	铜轴套 H62	Bronze Bushing H62	1	62		内六角凹端紧定螺钉M6X6	Screw M6X6	2
27		非标滚针轴承 30X37X18	Bearing 30X37X18	2	63		锥形锁紧垫圈M6	Washer M6	4
28		内六角圆柱头螺钉 M5X12	Screw M5X12	1	64		内六角沉头螺钉M6X25	Screw M6X25	4
29		A和C级大垫圈 M5	A and C grade Washer	1	65	30202041	支脚总成	Leg Assy.	2
30	40904005	限位杆 YL104	Limiting rod YL104	1	66	41404053	夹板	Splint	1
31		十字槽盘头螺钉 M4X15	Screw M4X15	1	67		标准型弹簧垫圈M8	Washer M8	4
32		内齿锁紧垫圈M4	Washer M4	1	68		内六角圆柱头螺钉 M8X25	Screw M8X25	4
33	40904009	限位杆轴 Q235	Limiting rod shaft	1					
34		长尾拉不脱M22X1.5	Cord Grommet M22X1	1					
35	30402072	转换开关	Switch	1					
36		十字槽盘头螺钉M4X18	Screw M4X18	4					