

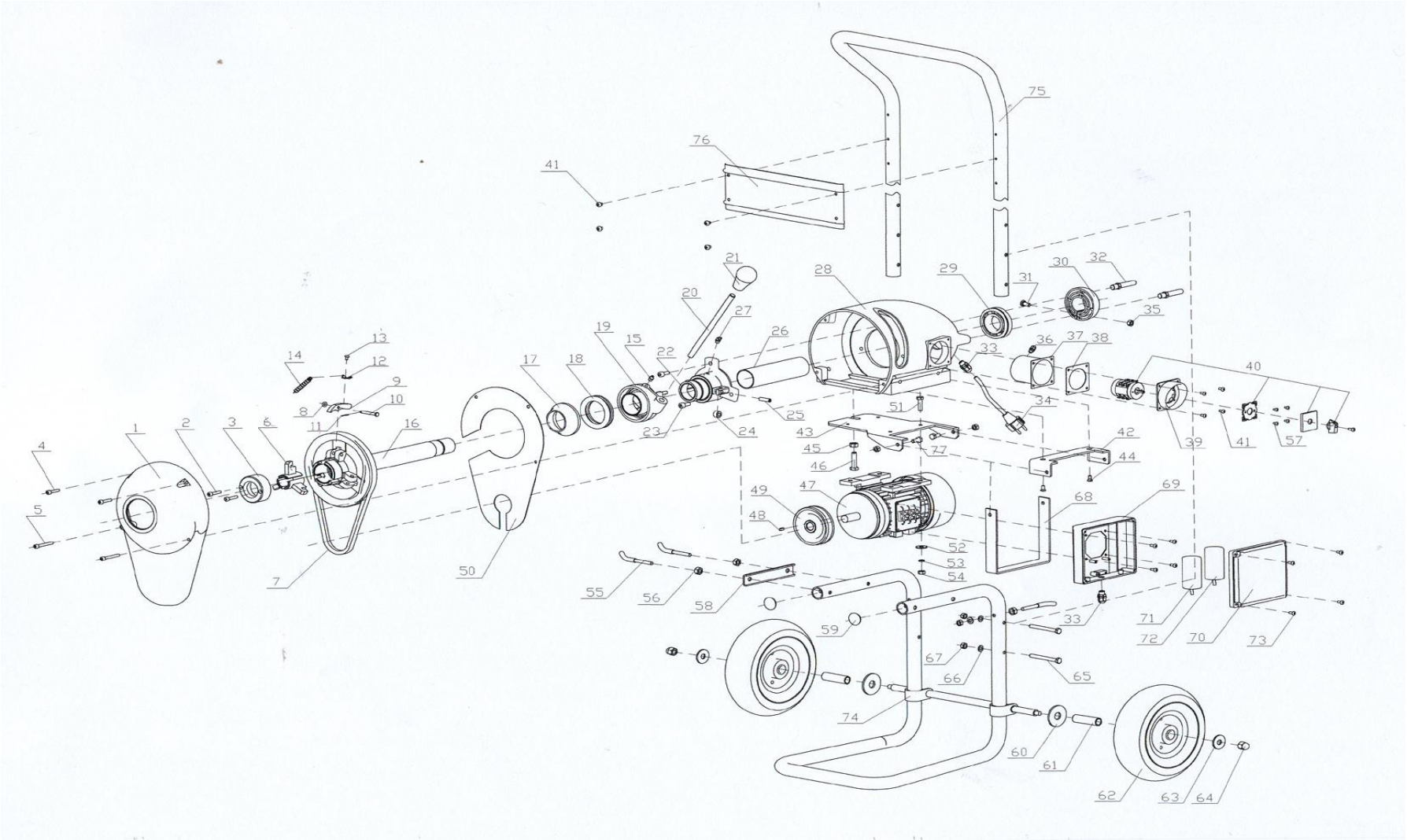


HANGZHOU HONGLI PIPE MACHINERY CO.,LTD

No.2 Xingxing Road, Xingqiao Economic Development District, Yuhang District, Hangzhou 311100,P.R.China

Tel: 0086-571-86260602 Fax:0086-571-86260893 Email:sales@draincleaning.cn

D-200A Sectional Drain Cleaner Breakdown Part List



No.	Description	Chinese item name	Specification	Qty	No.	Description	Chinese item name	Specification	Qty
1	Hull	护罩		1	39	Guard	开关面板	74*74*40mm plastic	1
2	Inner hexagon screw	内六角螺钉	M5*35	2	40	Switch	开关	LW8-10D	1
3	Gland	压盖		1	41	Half-round head screw	半圆头螺钉	M5*8	8
4	Inner hexagon screw	内六角螺钉	M6*30	2	42	Link block	电解连接板		1
5	Inner hexagon screw	内六角螺钉	M6*50	2	43	Anchor plate	电机底板		1
6	Brakes	离合器瓦		3	44	Sunk screw	沉头螺钉	M10*16	2
7	Belt	三角带	A-800	1	45	Nut	螺母	M10	1
8	Washer	垫圈	Φ3	3	46	Inner hexagon screw	内六角螺钉	M6*45	1
9	Rocker arm set	杠杆		3	47	Motor	电机		1
10	Perforated cylindrical pin	带孔圆柱销	Φ6*45	3	48	Flat key	平键	5*18	1
11	Cotter	开口销	Φ2*16	3	49	Small Pulley	小带轮		1
12	Support	弹簧挂架		3	50	Damper	防护板		1
13	Half-round head screw	半圆头螺钉	M5*8	7	51	Inner hexagon screw	内六角螺钉	M8*16	4
14	Tension spring	拉簧		3	52	Washer	垫圈	Φ10	4
15	Cap	油杯	M8*1	1	53	Spring washer	弹垫	Φ10	4
16	Driving shaft	大带轮+主轴组件		1	54	Nut	螺母	M8	4
17	Clutch cone	锥套		1	55	Fixed wire reel	挂钩		6
18	Bearing	轴承	8112	1	56	Nut	螺母	M10	6
19	Cam	凸轮		1	57	screw	沉头自攻螺钉	Φ10	4
20	Handle	手柄		1	58	Support	左右挂板		2
21	Ball	手柄球		1	59		车架堵		2
22	Plate assembly	轴架		1	60	Washer	垫圈	Φ18	2
23	Inner hexagon screw	内六角螺钉	M8*30	3	61	Ring	走轮轴套		2
24	Jockey pulley	小滚轮		2	62	Wheel	轱辘	70kg 8"	1
25	Pin	螺纹圆柱销	8*30	2	63	Washer	垫圈	Φ12	2
26	Sleeve pipe	主轴护管(PVC管)	Plastic	1	64	Nut	盖母	M12	2
27	Cap	油杯		1	65	Inner hexagon screw	内六角螺钉	M8*75	4
28	Casing	壳体		1	66	Washer	垫圈	Φ8	6
29	Ball bearing	向心球轴承	208	1	67	Nut	螺母	M10	6
30	Bearing end cover	端盖		1	68	guard plate	电容盒保护板		1
31	Inner hexagon screw	内六角螺钉	M8*16	1	69	Black box	电容盒		1
32	Guide hose pin	柱销		2	70	Box Cover	电容盒盖		1
33	Strain reliefs	拉不脱	M12	2	71	Capacitor	启动电容	100uf	1

34	Mains cable	电源线	1.0 ² rubber	1	72	Capacitor	运转电容	30uf	1
35	Nut	螺母	M8	1	73	screw	自攻螺钉		4
36	Strain relies	电缆接头	M8	3	74	Frame	车架		1
37	Protective shield	开关护罩		1	75	handle	车把		1
38	Insertion	开关垫		1	76	plate	挡板		1