

# H-SERIES



## LED BAY/FLOOD LIGHTS



**Overview**

The Kulon® H-Series LED bay/flood lights are using PHILIPS LUMILEDS® luminous source, providing excellent lumen output, long-lasting stability and splendid sight.

The Kulon H-Series LED bay/flood lights have a high luminous efficiency and better service life. Provide 7 years warranty on luminaire.

**Color Options**

● Silver Gray

**HIGH-EFFICACY LED LIGHT SOURCE**



**Philips Lumileds Luxeon TX**  
Greater than 135lm/W high efficacy, illumination grade LED light source.



**Philips Lumileds 3030 2D**  
Greater than 150lm/W high efficacy, illumination grade LED light source.



**Philips Lumileds 5050**  
Greater than 185lm/W high efficacy, illumination grade LED light source.

**HIGH-END LED DRIVER (Two options)**

+ NON-DIMMABLE



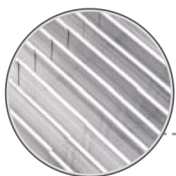
High-end Mean Well HLG Series LED driver, optimal stability, performance and lifespan.

+ DIMMABLE

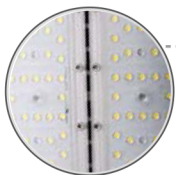
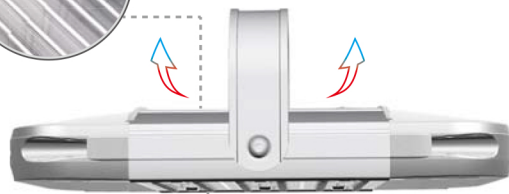


High-end Inventronics programmable LED driver, integrate dimming function and 6KV /10KV surge protection. Provide excellent performance and lifespan.

**AIR CONVECTION EFFECT**

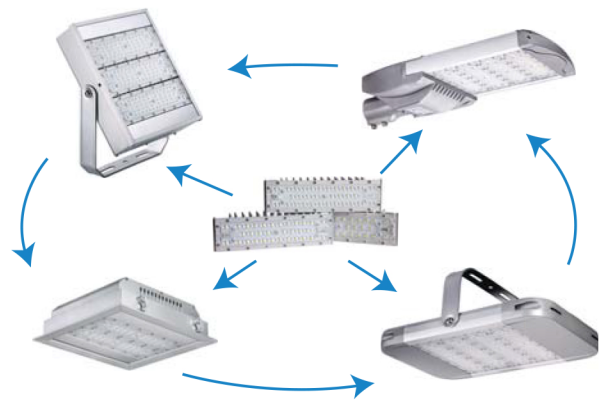


Reasonable heat sink design, not only keep ventilation but also avoid laceration.

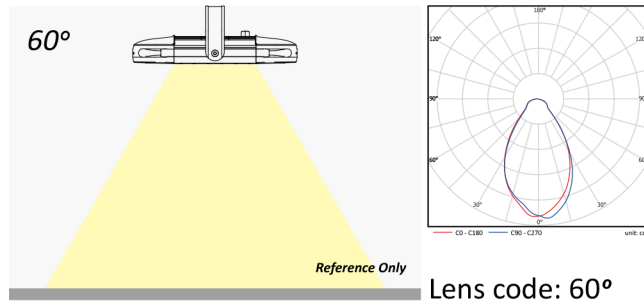


Gaps between each module increase heat dissipation speed and solve the problem of dust deposition.

**FLEXIBLE COMBINATIONS OF MODULES**

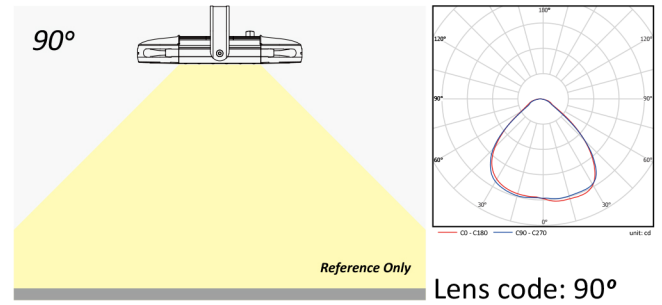


### Optics



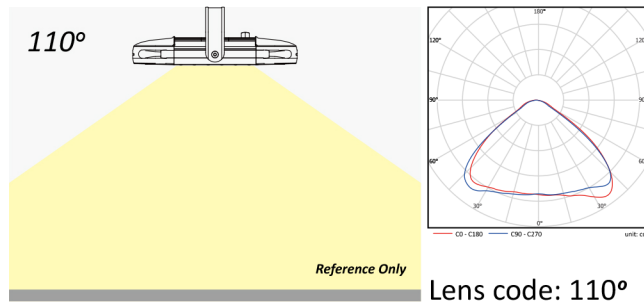
#### Applications:

Bay Light: Shelf Aisle | High Hall | High Workshop  
 Flood Light: Billboard | Area | Architecture | Landscape Lighting



#### Applications:

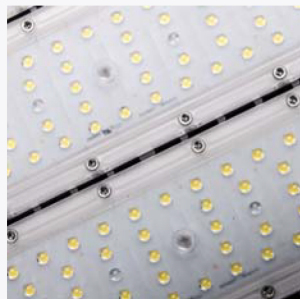
Bay Light: Warehouse | Workshop  
 Flood Light: Billboard | Area | Architecture | Landscape Lighting



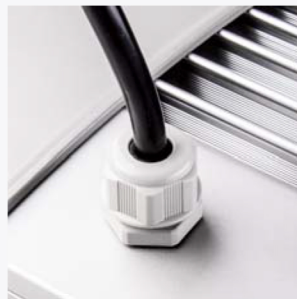
#### Applications:

Bay Light: Warehouse | Workshop | Gas Station  
 Flood Light: Billboard | Area | Architecture | Landscape Lighting

### Design Features



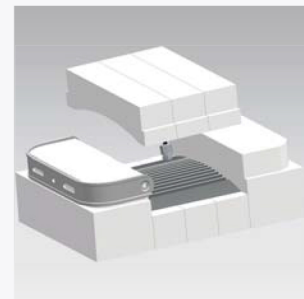
Professional lens design with 60°, 90° and 110° optional.



Use M16 waterproof connector, avoid hard power damage.



full aluminum made, sufficient heat dissipation area also no corrosion worries.



A special tailored packaging designed to guarantee the highest protection of the lamp.



Use waterproof connector for internal wiring, safe, convenient & fast.



Innovative pluggable connector, clean & efficient.



UL standard connection.



Exquisite and enhanced full aluminium bracket.

DETAILED FEATURES



### Electrical & Photometric

#### ★ 3030 Version

Number of Modules	Model*1	LED Working Current	Power	Luminaire Efficacy (+/- 5%)	Lumen Output (+/- 5%)	Input Voltage	LED Brand	Driver Brand	Light Distributions	CCT (K)	Lifetime (h)	
1	K-GKD40WH4 K-FL40WH4	95mA	40W	140 lm /w	5600 lm	100-240V /277V AC 50 /60Hz	Philips Lumileds 3030 2D	MeanWell Inventronics	60° 90° 110°	3000*2 4000 5000 5700	>100,000 (L70)	
	K-GKD50WH5 K-FL50WH5	115mA	50W	130 lm /w	6500 lm							>80,000 (L70)
	K-GKD60WH6 K-FL60WH6	145mA	60W	125 lm /w	7500 lm							
2	K-GKD80WH4 K-FL80WH4	100mA	80W	140 lm /w	11200 lm						>100,000 (L70)	
	K-GKD100WH5 K-FL100WH5	120mA	100W	130 lm /w	13000 lm							>80,000 (L70)
	K-GKD120WH6 K-FL120WH6	145mA	120W	125 lm /w	15000 lm						>100,000 (L70)	
3	K-GKD120WH4 K-FL120WH4	100mA	120W	140 lm /w	16800 lm							>100,000 (L70)
	K-GKD150WH5 K-FL150WH5	120mA	150W	130 lm /w	20800 lm							
	K-GKD180WH6 K-FL180WH6	145mA	180W	125 lm /w	22500 lm						>100,000 (L70)	
4	K-GKD160WH4 K-FL160WH4	100mA	160W	140 lm /w	22400 lm							>80,000 (L70)
	K-GKD200WH5 K-FL200WH5	120mA	200W	130 lm /w	26000 lm							
	K-GKD240WH6 K-FL240WH6	145mA	240W	125 lm /w	30000 lm						>80,000 (L70)	
5	K-GKD200WH4 K-FL200WH4	100mA	200W	140 lm /w	28000 lm							>100,000 (L70)
	K-GKD240WH5 K-FL240WH5	120mA	240W	130 lm /w	31200 lm							
	K-GKD300WH6 K-FL300WH6	140mA	300W	125 lm /w	37500 lm						>100,000 (L70)	

\*1 Model of Bay Light: K-GKDXXWHX | Model of Flood Light: K-FLXXWHX.

\*2 Luminous Efficacy of 3000K is 5% lower than other CCTs.

#### ★ 5050 Version

Number of Modules	Model*1	LED Working Current	Power	Luminaire Efficacy (+/- 5%)	Lumen Output (+/- 5%)	Input Voltage	LED Brand	Driver Brand	Light Distributions	CCT (K)	Lifetime (h)	
1	K-GKD40WH4 K-FL40WH4	48mA	40W	165 lm /w	6600 lm	100-240V /277V AC 50 /60Hz	Philips Lumileds 5050	MeanWell Inventronics	110°	3000*2 4000 5000 5700	>85,000 (L70)	
	K-GKD50WH5 K-FL50WH5	59mA	50W	160 lm /w	8000 lm							>80,000 (L70)
	K-GKD60WH6 K-FL60WH6	75mA	60W	155 lm /w	9300 lm							
2	K-GKD80WH4 K-FL80WH4	50mA	80W	165 lm /w	13200 lm						>80,000 (L70)	
	K-GKD100WH5 K-FL100WH5	61mA	100W	160 lm /w	16000 lm							>85,000 (L70)
	K-GKD120WH6 K-FL120WH6	75mA	120W	155 lm /w	18600 lm						>80,000 (L70)	
3	K-GKD120WH4 K-FL120WH4	50mA	120W	165 lm /w	19800 lm							>85,000 (L70)
	K-GKD150WH5 K-FL150WH5	58mA	150W	160 lm /w	24000 lm							
	K-GKD180WH6 K-FL180WH6	75mA	180W	155 lm /w	27900 lm						>85,000 (L70)	
4	K-GKD160WH4 K-FL160WH4	50mA	160W	165 lm /w	26400 lm							>80,000 (L70)
	K-GKD200WH5 K-FL200WH5	58mA	200W	160 lm /w	32000 lm							
	K-GKD240WH6 K-FL240WH6	75mA	240W	155 lm /w	37200 lm						>80,000 (L70)	
5	K-GKD200WH4 K-FL200WH4	50mA	200W	165 lm /w	33000 lm							>85,000 (L70)
	K-GKD240WH5 K-FL240WH5	61mA	240W	160 lm /w	38400 lm							
	K-GKD300WH6 K-FL300WH6	75mA	300W	155 lm /w	46500 lm						>85,000 (L70)	

\*1 Model of Bay Light: K-GKDXXWHX | Model of Flood Light: K-FLXXWHX.

\*2 Luminous Efficacy of 3000K is 5% lower than other CCTs.





### ★ 3535 Version

Number of Modules	Model*1	LED Working Current	Power	Luminaire Efficacy (+/- 5%)	Lumen Output (+/- 5%)	Input Voltage	LED Brand	Driver Brand	Light Distributions	CCT (K)	Lifetime (h)
1	K-GKD40WH K-FL40WH	860mA	40W	110 lm /w	4400 lm	100-240V /277V AC 50 /60Hz	Philips Lumileds Luxeon TX	MeanWell Inventronics	60° 90° 110°	3000*2 4000 5000 5700	>100,000 (L70)
2	K-GKD80WH K-FL80WH	900mA	80W	110 lm /w	8800 lm						
3	K-GKD120WH K-FL120WH	900mA	120W	110 lm /w	13200 lm						
4	K-GKD160WH K-FL160WH	900mA	160W	110 lm /w	17600 lm						
5	K-GKD200WH K-FL200WH	900mA	200W	110 lm /w	22000 lm						
6	K-GKD240WH K-FL240WH	900mA	240W	110 lm /w	26400 lm						

\*1 Model of Bay Light: K-GKDXXHX | Model of Flood Light: K-FLXXHX.

\*2 Luminous Efficacy of 3000K is 5% lower than other CCTs.

### Working Environment & Packing

Number of Modules	Working Environment	Storage Temperature	Rating	CRI	Power Factor	Power Efficiency	Material	Product Dimensions (mm)	Carton Size (mm)	N.W (kg)	G.W (kg)
1	-40 °C ~ +50 °C 10% ~ 90%RH	-40 °C ~ +50 °C	Class I IP66 IK10	>70	>0.95	>90%	Housing: Die-cast aluminum; Heat sink: Stretched Aluminium Alloy; Lens: PC	293*340*156(Bay Light)	345*365*160	3.1	3.9
2								293*340*186(Flood Light)			
3								336*340*156(Bay Light)	415*365*160	4.4	5.2
4								336*340*223(Flood Light)			
5								439*340*156(Bay Light)	485*365*160	5.4	6.3
6								439*340*259(Flood Light)			
	512*340*156(Bay Light)	560*365*160	6.3	7.3							
	512*340*296(Flood Light)										
	585*340*156(Bay Light)	635*365*160	7.2	8.3							
	585*340*332(Flood Light)										
	658*340*156(Bay Light)	705*365*160	8.1	9.3							
	658*340*369(Flood Light)										

Note: Above data of weight are all typical values.

### Certification

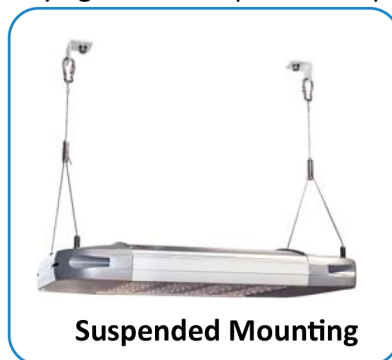
Manufacturer
ISO9001, ISO14001
H Series [ K-GKD40WH, K-GKD80WH, K-GKD120WH, K-GKD160WH, K-GKD200WH, K- ]GKD240WH, ]
H Series [ K-FL40WH, K-FL80WH, K-FL120WH, K-FL160WH, K-FL200WH, K- ]FL240WH, ]
CE, ROHS, GS, CB, SAA, UL, cUL, DLC, LM79, LM80
H4/H5 Series [ K-GKD40WH4, K-GKD80WH4, K-GKD120WH4, K-GKD160WH4, K-GKD200WH4   K-GKD50WH5, K-GKD100WH, K-GKD150WH5, K-GKD200WH5, K-GKD240WH5 ]
H4/H5 Series [ K-FL40WH4, K-FL80WH4, K-FL120WH4, K-FL160WH4, K-FL200WH4   K-FL50WH5, K-FL100WH5, K-FL150WH5, K-FL200WH5, K-FL240WH5 ]
CE, ROHS, LM80
H6 Series [ K-GKD60WH6, K-GKD120WH6, K-GKD180WH6, K-GKD240WH6   K-FL60WH6, K-FL120WH6, K-FL180WH6, K-FL240WH6 ]
CE, ROHS, LM80

### Variety applications

Bay light with short bracket



Bay light with suspension rope

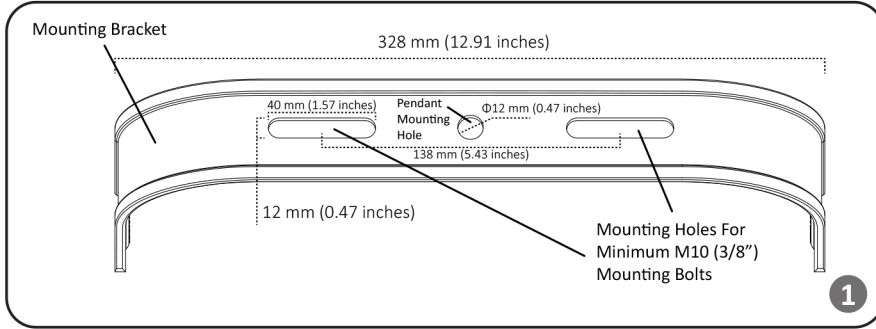


Flood light with long bracket

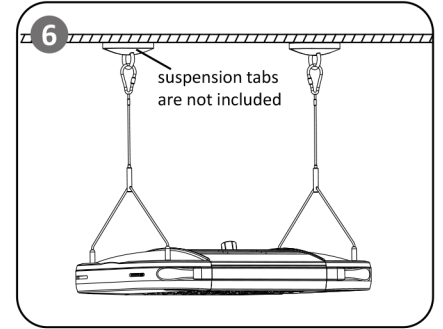


### Installation of Bay Light

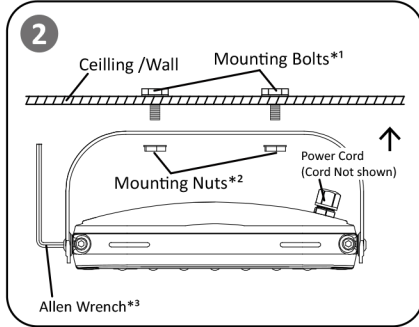
#### ★ Mounting Bracket



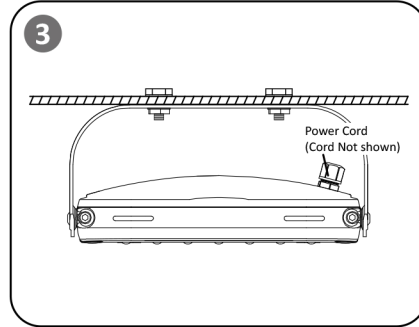
#### ★ Suspended Mounting(Optional)



#### ★ Direct Mounting



\*1 Minimum M10 (3/8") Bolts (not-provided) \*2 Mounting Nuts are not provided \*3 Allen Wrench: 8mm (5/16")



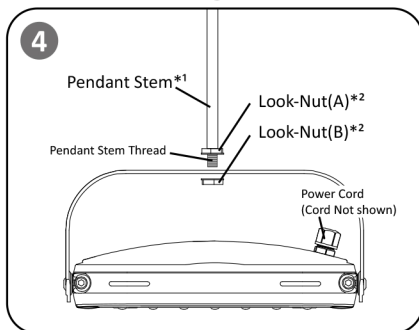
**STEP 1:**  
Assemble the mounting bracket to the fixture by provided M10 (3/8") round head screws.

**STEP 2:**  
Mount the fixture by two(2) minimum M10 (3/8") bolts. See image 2.

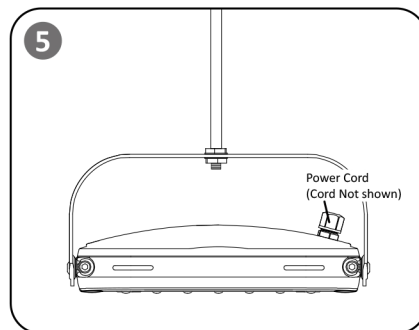
**STEP 3:**  
Loosen the mounting bracket screws, adjust the fixture to desired position, re-secure the screws.

**STEP 4:**  
Connect the **Power Cord** to the supply wiring per "**Electrical Connections**" section for completing electrical connections.

#### ★ Pendant Mounting



\*1 Pendant Stem can not be the soft material (not-provided) \*2 Look Nuts are not provided



**STEP 1:**  
Assemble the mounting bracket to the fixture by provided M10 (3/8") round head screws.

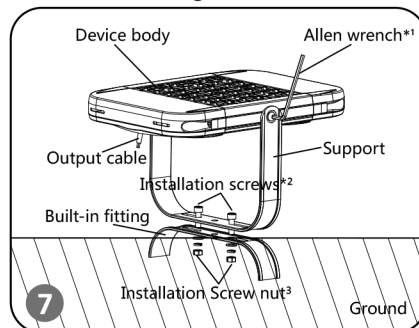
**STEP 2:**  
Attach Lock-Nut(A) to the bottom of the Pendant Stem. Attach Lock-Nut(B) by holding the interjacent Fixture Bracket and tightening Lock-Nut(B) until secure. See image 4.

**STEP 3:**  
Loosen the mounting bracket screws, adjust the fixture to desire position, re-secure the screws.

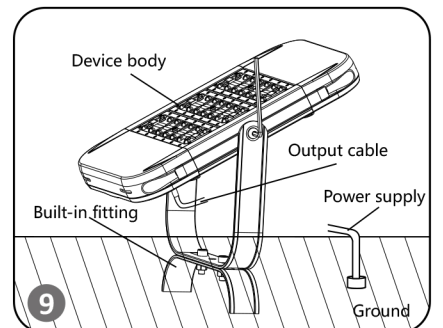
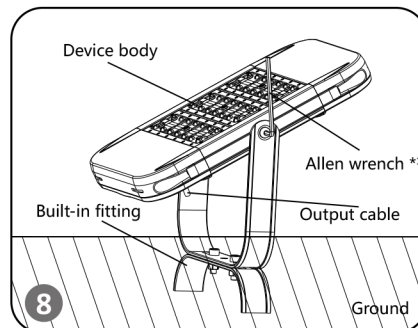
**STEP 4:**  
Connect the **Power Cord** to the supply wiring per "**Electrical Connections**" section for completing electrical connections.

### Installation of Flood Light

#### ★ Direct Mounting



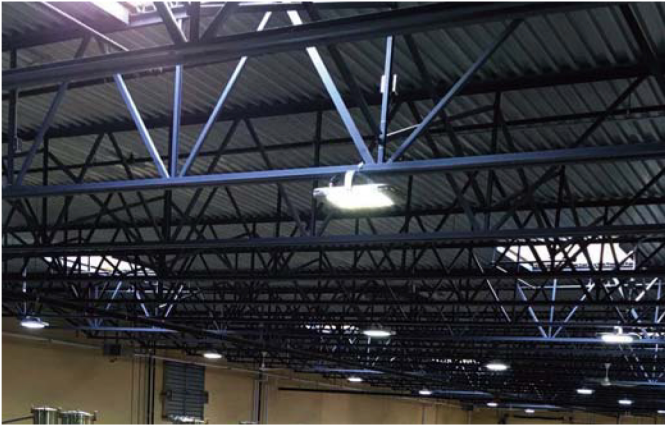
\*1 Allen wrench: 6mm \*2 Minimum M10 screws (Not provided) \*3 Screw nuts (Not provided)



**STEP 1:** Use an Allen wrench to fix the body and the support (is not necessary to tighten the screws too hard). Align support and built-in fitting, tighten the screws as image 7.

**STEP 2:** Settle in the adequate angle position and use Allen screw to fix it as image 8.

**STEP 3:** Connect wire as image 9.



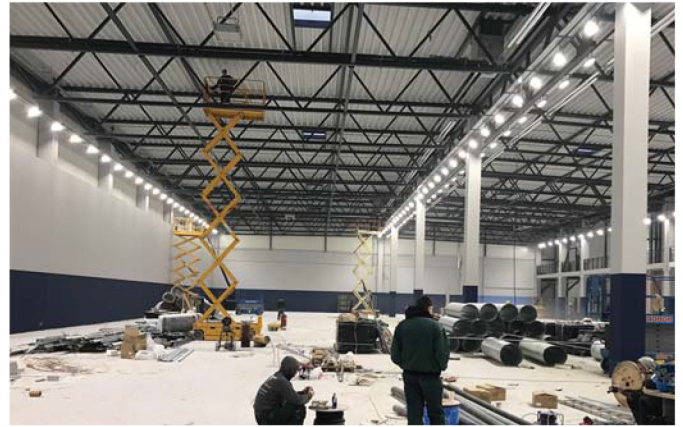
- for Low Bay Applications(Series-H), Canada



- for Low Bay Applications(Series-H), Spain



- for Low Bay Applications(Series-H), Italy



- for flood light Applications(Series-HB), Lithuania



- for flood light Applications(Series-HB), Czech Republic



- for flood light Applications(Series-HB), Dubai