

Kmini -SERIES



ISO9001
ISO14001
ISO50001



CE CB

RoHS
Compliant



IP66
IK10

LM-80

5 YEAR
WARRANTY

LED STREET LIGHTS

High-efficiency LED light source

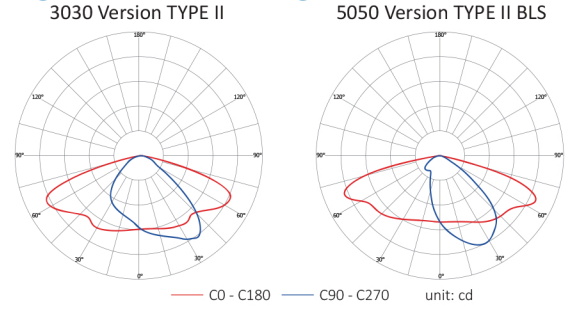


Philips Lumileds 3030 2D
Greater than 150lm/W high efficacy, illumination grade LED light source.



Philips Lumileds 5050
Greater than 185lm/W high efficacy, illumination grade LED light source.

Light Distribution Diagram



Photocell available

Lamp will Auto turn on and off according to lux difference.



High-end Inventronics LED driver, integrate dimming function and 4KV /6KV surge protection. Provide excellent performance and lifespan.



Connect base

Disassemble easily which reduces maintenance costs.



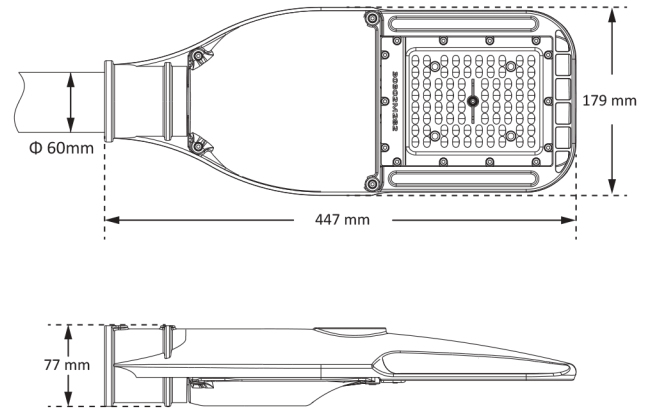
Surge protection device(10KV)

To provide more reliable guarantee for LED driver, extend the life of the product.



Waterproof connector

Use M16 waterproof connector to ensure that the driver box is waterproof and damage caused by excessive force.



Electrical & Photometric

★ 3030 Version

| Series | Model | LED Qty/ Current | Power | Luminaire efficacy (+/- 5%) | Lumen Output (+/- 5%) | Input Voltage | LED Brand | Driver Brand | Dimming 0(1)-10V | Light Distributions | CCT (K) | Surge Protection Device | Lifetime (h) |
|--------|-------------|------------------|-------|-----------------------------|-----------------------|-------------------------------|-----------------------------|--------------|------------------|---------------------|-------------------------------|-------------------------|-------------------|
| Kmini | K-LD28Kmini | 40units/ 100mA | 28W | 142 lm /w | 3976 lm | 100-240V /277V AC 50 /60Hz | Philips Lumileds 3030 2D | Inventronics | × | Typell, Medium | 3000* 4000 5000 5700 | 10KV | >100,000 (L70) |
| | K-LD38Kmini | 56units/ 100mA | 38W | 136 lm /w | 5168 lm | | | | √ | | | | |
| | K-LD57Kmini | 80units/ 105mA | 57W | 137 lm /w | 7809 lm | | | | √ | | | | |

*Luminous Efficacy of 3000K is 5% lower than other CCTs.

★ 5050 Version

| Series | Model | LED Qty/ Current | Power | Luminaire efficacy (+/- 5%) | Lumen Output (+/- 5%) | Input Voltage | LED Brand | Driver Brand | Dimming 0(1)-10V | Light Distributions | CCT (K) | Surge Protection Device | Lifetime (h) |
|--------|-------------|------------------|-------|-----------------------------|-----------------------|-------------------------------|--------------------------|--------------|------------------|-------------------------|-------------------------------|-------------------------|-------------------|
| Kmini | K-LD28Kmini | 16units/ 63mA | 26W | 151 lm /w | 3926 lm | 100-240V /277V AC 50 /60Hz | Philips Lumileds 5050 | Inventronics | × | Typell, Medium (BLS) | 3000* 4000 5000 5700 | 10KV | >100,000 (L70) |
| | K-LD38Kmini | 22units/ 64mA | 36W | 146 lm /w | 5256 lm | | | | √ | | | | |
| | K-LD57Kmini | 28units/ 75mA | 53W | 144 lm /w | 7632 lm | | | | √ | | | | |

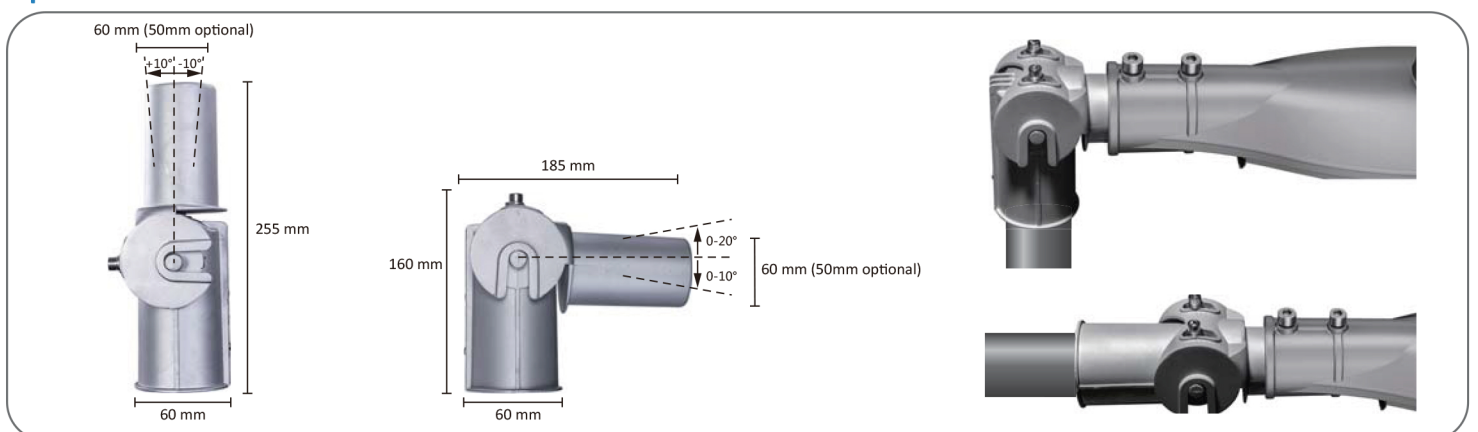
*Luminous Efficacy of 3000K is 5% lower than other CCTs.

Working Environment & Packing

| Model | Product Dimensions (mm) | Carton Size (mm) | N.W (kg) | G.W (kg) | Working Environment | Storage Temperature | Rating | CRI | Power Factor | Power Efficiency | Material | Pole Diameter (mm) |
|-------------|-------------------------|------------------|----------|----------|--------------------------------|---------------------|-------------------------|-----|--------------|------------------|--|--------------------|
| K-LD28Kmini | 447*179*77 | 465*200*100 | 2.2 | 2.6 | -40 °C ~ +50 °C 10% ~ 90%RH | -40 °C ~ +50 °C | Class I IP66 IK10 | >70 | >0.95 | >90% | Housing: Die-cast aluminum Lens: PC | 60 (50 optional) |
| K-LD38Kmini | 447*179*77 | 465*200*100 | 2.2 | 2.6 | | | | | | | | |
| K-LD57Kmini | 447*179*77 | 465*200*100 | 2.3 | 2.7 | | | | | | | | |

Note: Above data of weight are all typical values.

Optional accessories



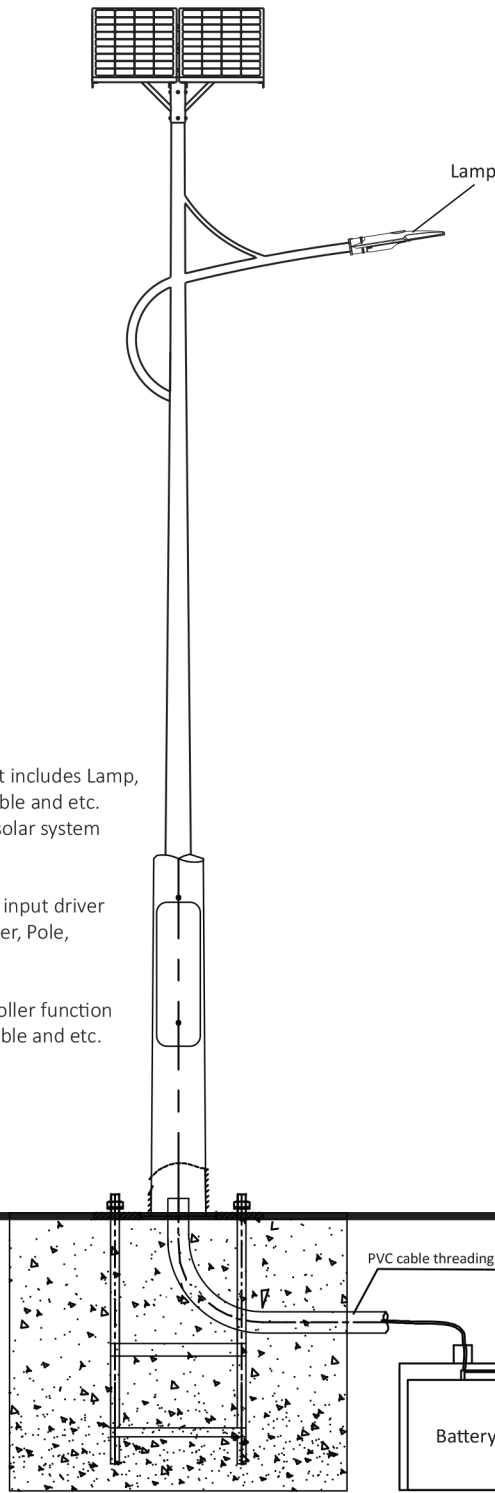
Solar Street Light System



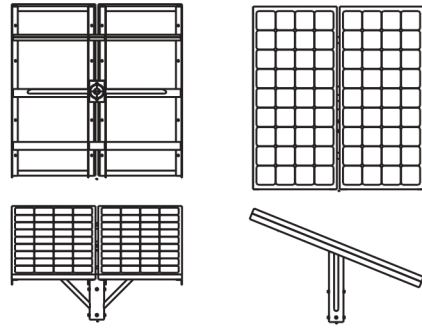
Model list:
K-LD28Kmini
K-LD38Kmini
K-LD57Kmini

A complete set of Solar street light includes Lamp, Battery, Panel, Controller, Pole, Cable and etc. KULON also provides solutions for solar system based on Kmini series.

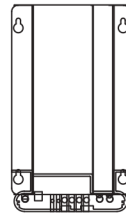
- Option 1
KULON Street Light with DC12/24V input driver
Rest parts: Battery, Panel, Controller, Pole, Cable and etc.
- Option 2
KULON Street light combines controller function
Rest parts: Battery, Panel, Pole, Cable and etc.



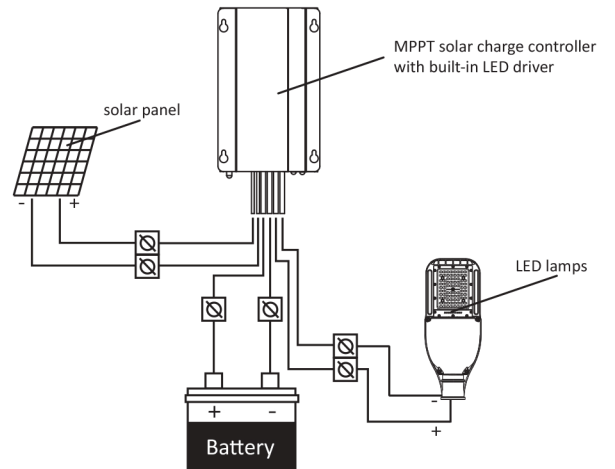
SOLAR PANEL



CONTROLLER



PARTS CONNECTION DIAGRAM



GROUND

Customized service

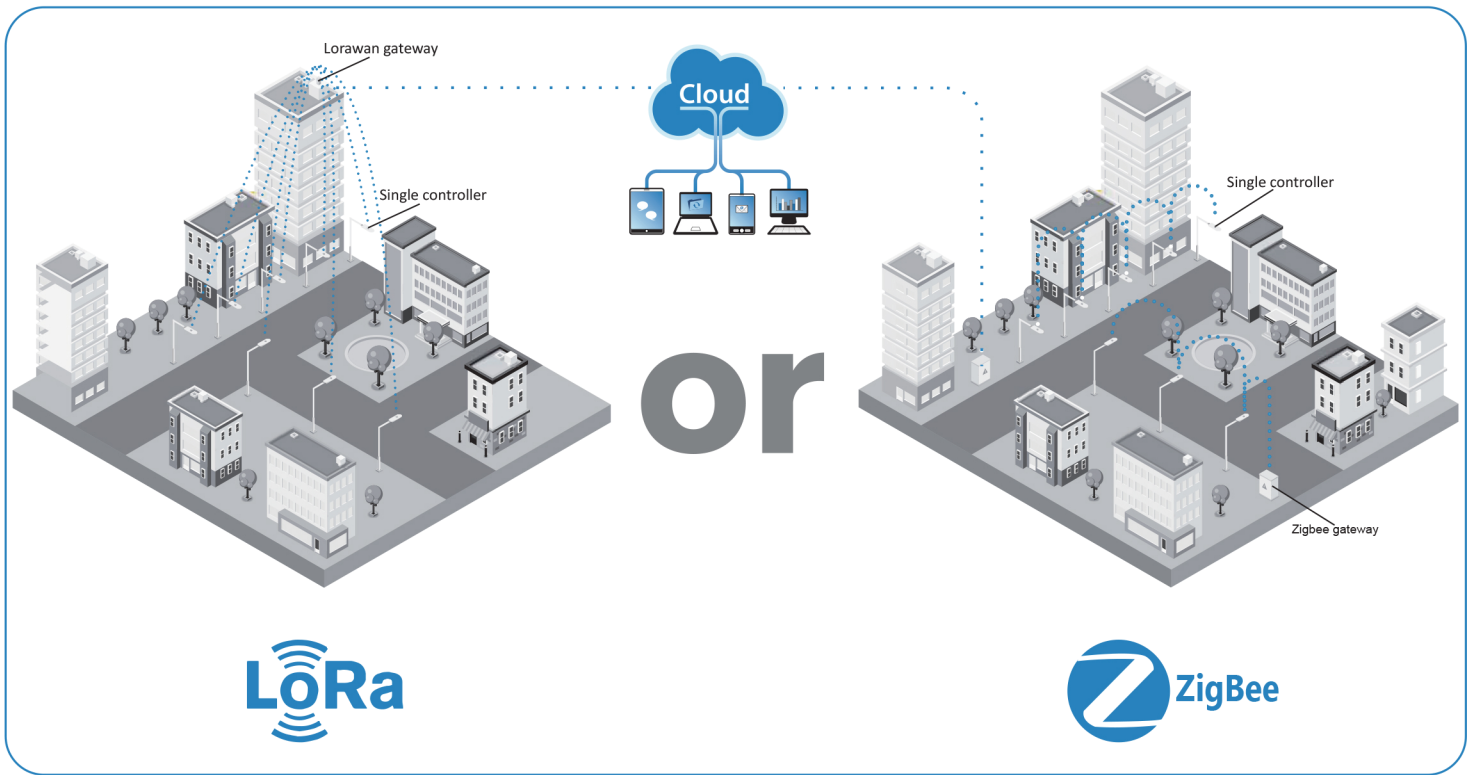
Due to each city has its own sunshine condition, and customers have different working hours and rainy days on request.

If you want to know more exact configuration, please contact us for below questions:

1. What is the geographical location your solar LED street lighting system will be installed?
2. How many hours per night the LED street light works?
3. How many days to backup in case of continuous rainy days?
4. Do you need dimming the LED street light (during the off-peak hours)?
5. Do you have any other requirements?



Intelligence Street Lighting System



KULON provides a total solution for intelligence street lighting system.

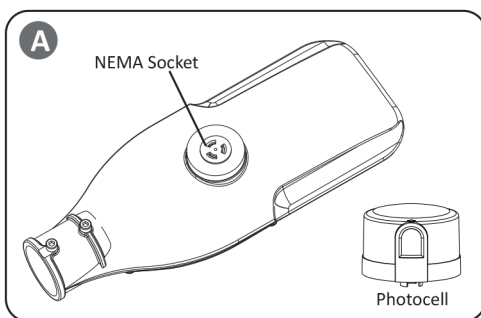
KULON street light intelligence system is made up by software, gateway, single light controller. The gateway is installed in the distribution cabinet, the single light controller is installed in the lighting terminal. It proceeds with communication via GPRS/ CDMA/ WCDMA wireless network or cable network & monitor center and proceeds with communication via ZIGBEE/ LORA.

Gateway can control each single light controller via receiving, executing, forwarding PC management software, which can control each lamp's switching on/ off or dimming, then save electric energy. It can also monitor the lamps' electric energy to achieve failure lamps function. Gateway can built-in DO to achieve street light loop control, it can connect with other equipment to collect local illumination, temperature and other information, feedback to PC management software and achieve to monitor the current information.

At present, all our series of LED street lights can be combined with the intelligence street lighting system...
If you want to know more, please contact KULON Team.

Optical Control

Optical control function is supported by optional



If the fixture with PHOTOCELL function, the NEMA Socket will be installed on the cover of fixture. See **A**. Fit the pins of Photocell to NEMA Socket, firmly insert and rotate Photocell to proper position.

<Verifying>

Make sure all the connections done and photocell is well installed on the fixture, switch on the power supply and cover the window of NEMA Socket, wait 5 seconds, the fixture will be turned on.

