

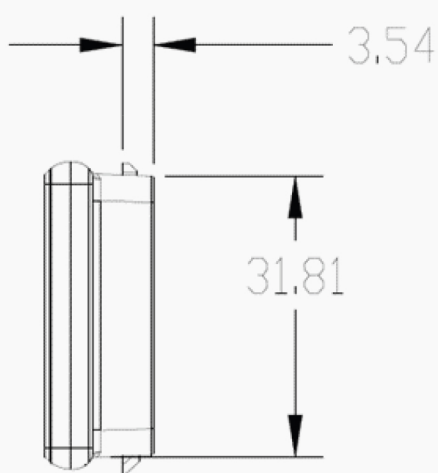
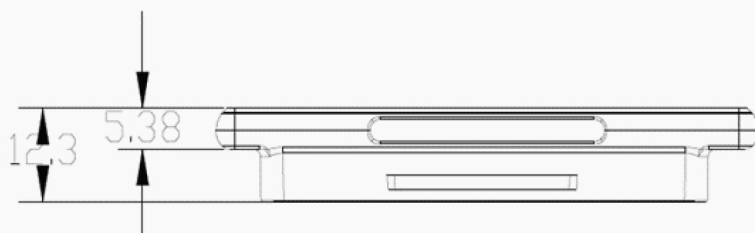
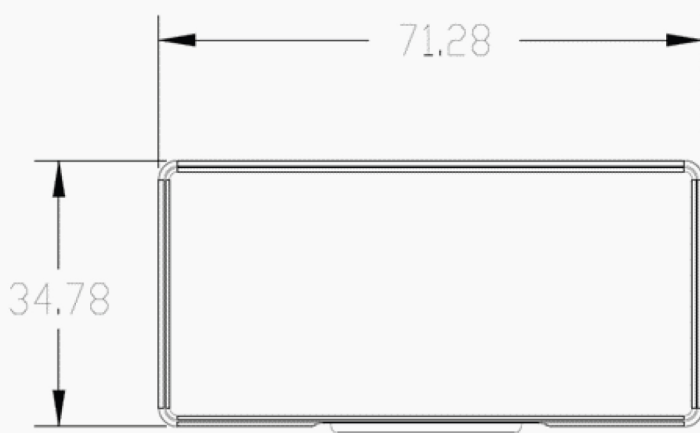


2.13" F

BW ESL



TECHNICAL DRAWINGS



TECHNICAL DETAILS

Model	SETRV3-0213-39
Dimensions (mm)	71.28 x 34.78 x 12.3
Color	Blue + White
Weight	32g
Display technology	Full graphic E-ink display
Pixel color	Black / White
Active display area (mm)	48.55 x 23.71
Resolution (Pixel)	250 x 122
Pixel density	130 DPI
Viewing angle	>170°
Operating temperature	-25° - 10°C
Storage temperature	-25° - 10°C
Operating Humidity	45% - 70%RH
Waterproof Grade	IP68
Battery	2 x CR2450
Battery lifetime	4 update/day, no less than 5 years
Wireless connectivity	Private Protocol
ESL operating frequency	2.400-2.480 GHz, maximum EIRP ≤ 10mW
Communication mode	AP
Communication Distance	Within 30m (Open distance: 50m)
NFC	Null
Wireless firmware update	YES
Usable pages	8
LED	Red, Green and Blue, 7 colors can be displayed
Complicance	CE, RoHS
Package unit	480/Box, 16.6kg/Box (Full)