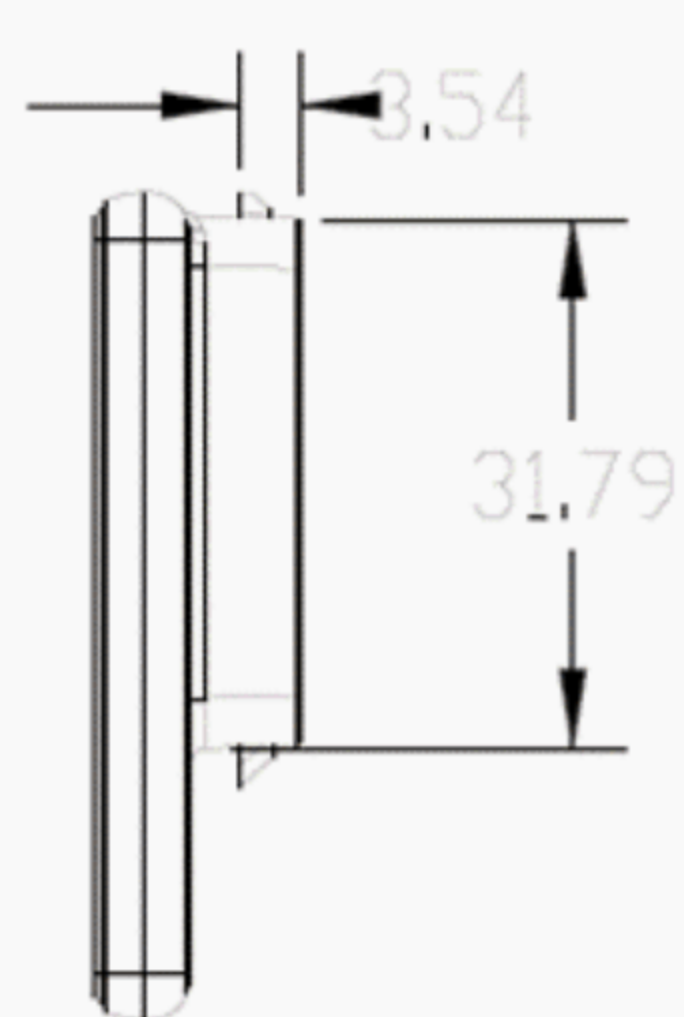
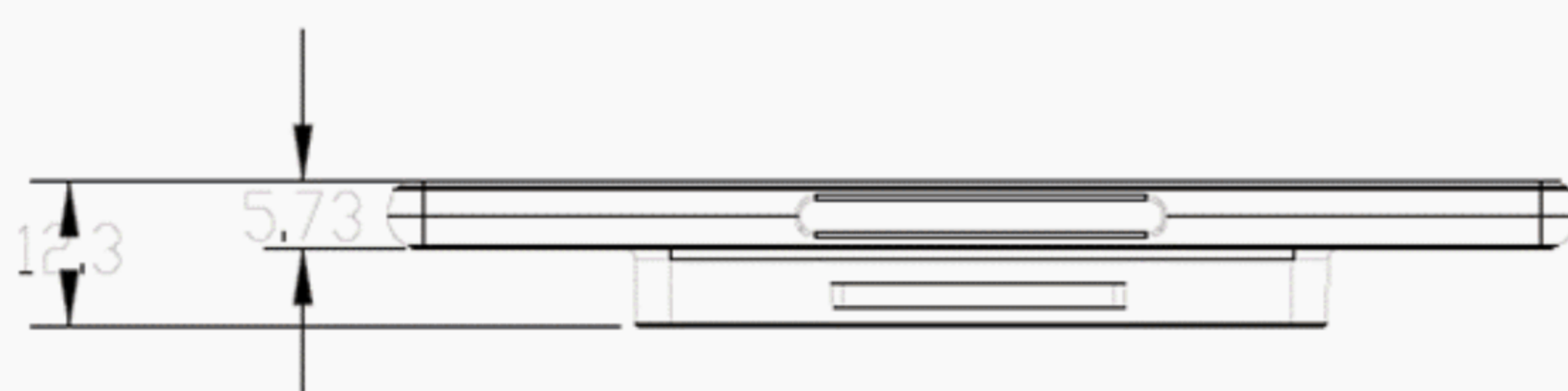
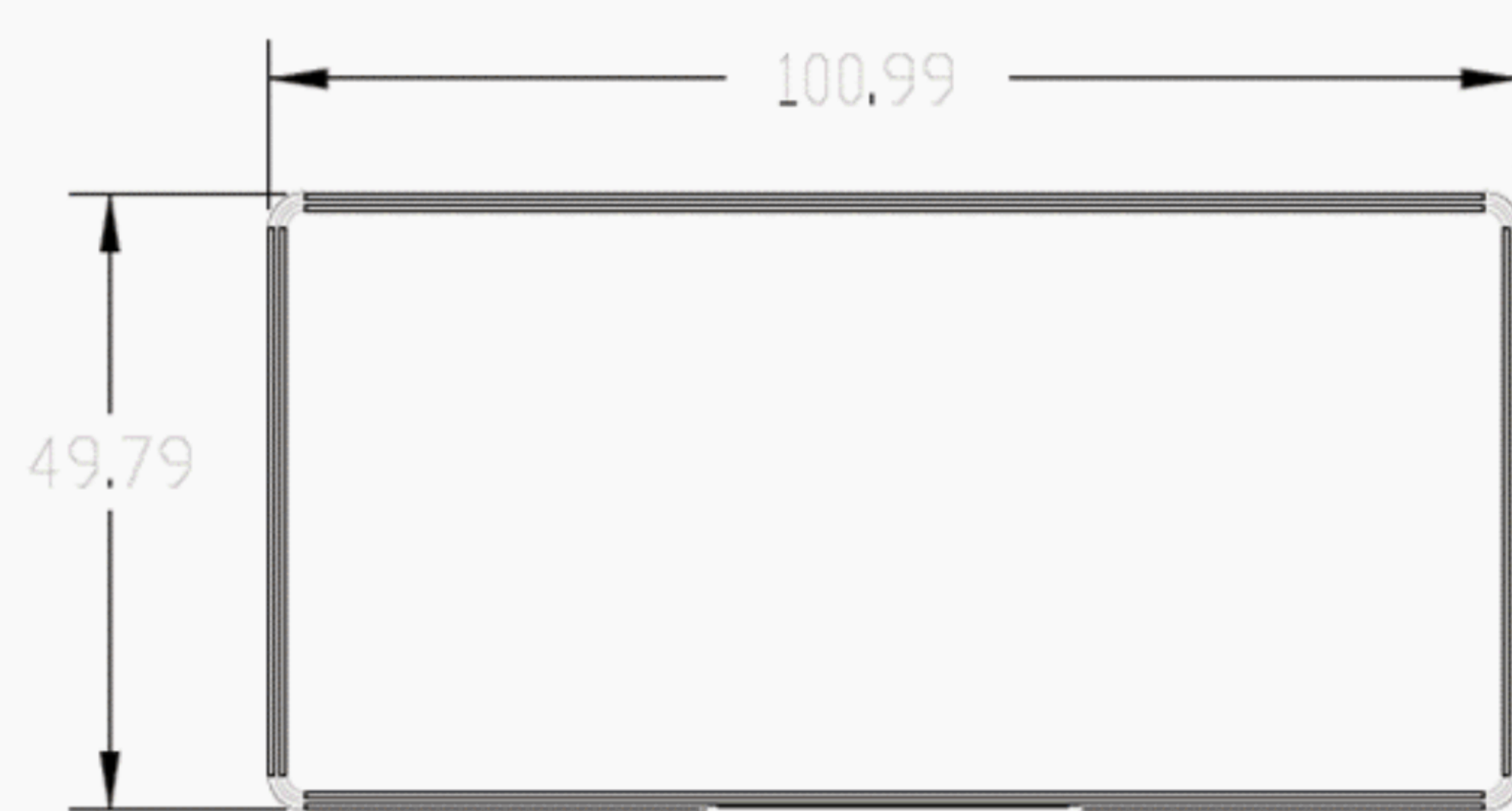




3.50" BWRY ESL



TECHNICAL DRAWINGS



TECHNICAL DETAILS

Model	SETRV3-0350-56
Dimensions (mm)	100.99 x 49.79 x 12.3
Color	White
Weight	46g
Display technology	Full graphic E-ink display
Pixel color	Black / White / Red / Yellow
Active display area (mm)	79.68 x 38.18
Resolution (Pixel)	384 x 184
Pixel density	122 DPI
Viewing angle	>170°
Operating temperature	0°- 40°C
Storage temperature	0°- 40°C
Operating Humidity	45% - 70%RH
Protection Grade	IP65
Battery	2 x CR2450
Wireless connectivity	Private Protocol
ESL operating frequency	2.400-2.480 GHz, maximum EIRP ≤ 10mW
Communication mode	AP
Communication Distance	Within 30m (Open diatance: 50m)
NFC	YES
Wireless firmware update	YES
Usable pages	8
LED	Red, Green and Blue, 7 colors can be displayed
Complicance	CE, RoHS
Package unit	270/Box, 13.42Kg, 390mm*350mm*240mm