

TIANDI SCAFFOLDING & FORMWORK MANUFACTURE CO.,LTD

ZHONGHONGJIANGONG STEEL STRUCTURE CO.,LTD

FACTORY:
NO 977,JIN WEI ROAD,BEICHEN DISTRICT
TIANJIN, CHINA

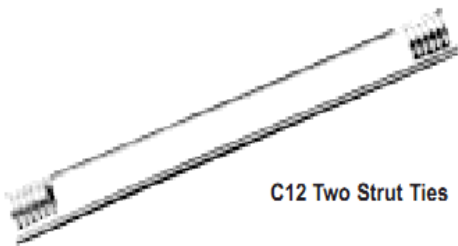
TEL:86-22-87892091 Email:michaelliu@scaffolds.com.cn
www.scaffolds.com.cn www.formworks.com



COIL STRUT FORMING

WILLIAMS Coil Strut Tie Forming System consists of two fast, self-cleaning coil thread bolts used in conjunction with two or four strut ties, depending on the strength required. When ordering ties, specify safe working load requirements. Subtract total set back, from wall thickness to arrive at coil tie length. Ties may be ordered with or without form spacer cones.

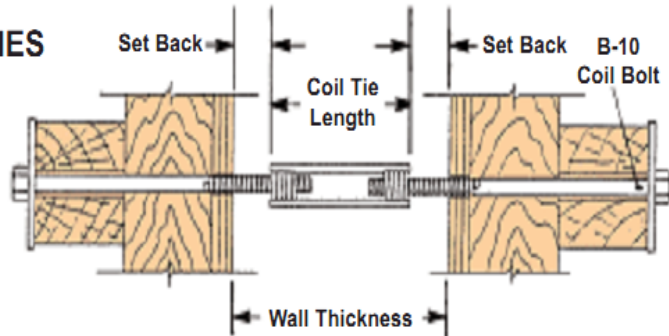
STANDARD STRUT COIL TIES



C12 Two Strut Ties

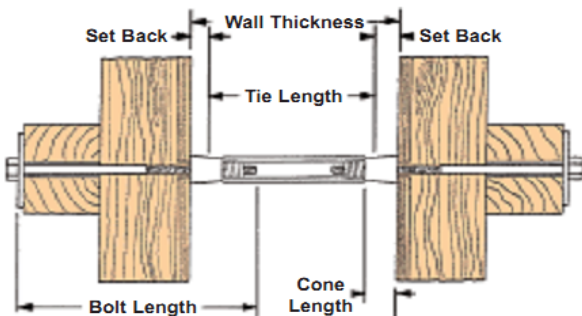
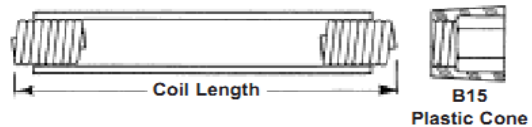


C14 Four Strut Ties



FOR TIE LENGTH: Subtract Set Back on both sides from wall thickness

CONE FAST STRUT COIL TIES



Coil Rod Diameter	(C12) Two Strut Safe Work. Load Lbs./kN	(C14) Four Strut Safe Work. Load Lbs./kN
1/2" (12mm)	4,500/20.0	-
1/2" (12mm)	6,750/30.0	-
3/4" (20mm)	6,750/30.0	-
3/4" (20mm)	9,000/40.0	18,000/ 80.1
1" (25mm)	13,500/60.0	18,000/ 80.1
1-1/4" (32mm)	-	27,000/ 120.0

Minimum 2 to 1 Safety Factor
See Minimum Coil Penetration Requirements on page 17

B-15 Plastic Form Spacer Cone used with cone fast strut coil tie.

TIANDI SCAFFOLDING & FORMWORK MANUFACTURE CO.,LTD

ZHONGHONGJIANGONG STEEL STRUCTURE CO.,LTD

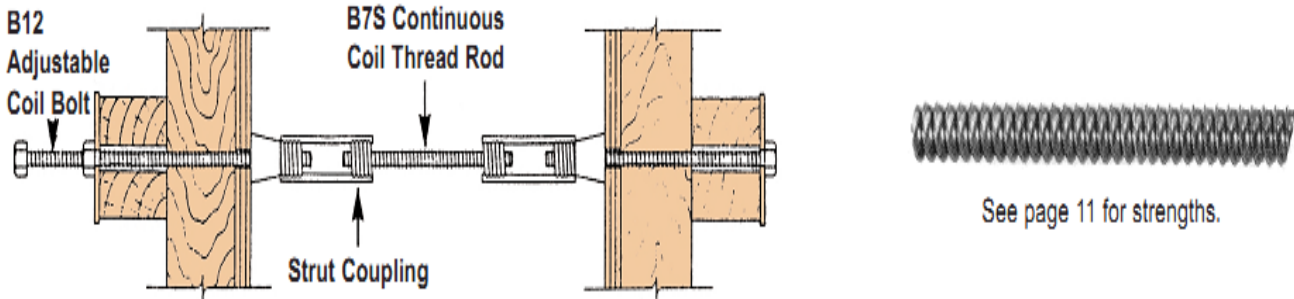
FACTORY:

NO 977,JIN WEI ROAD,BEICHEN DISTRICT
TIANJIN, CHINA

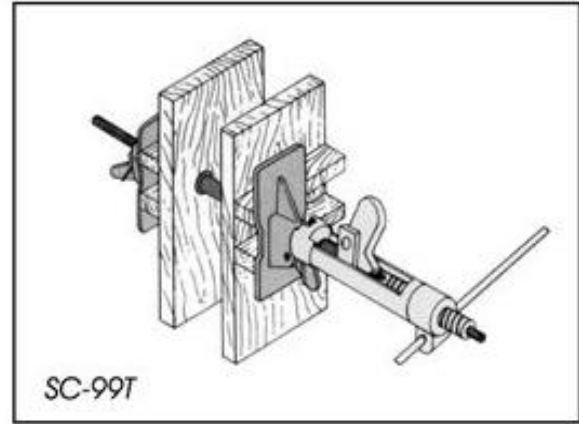
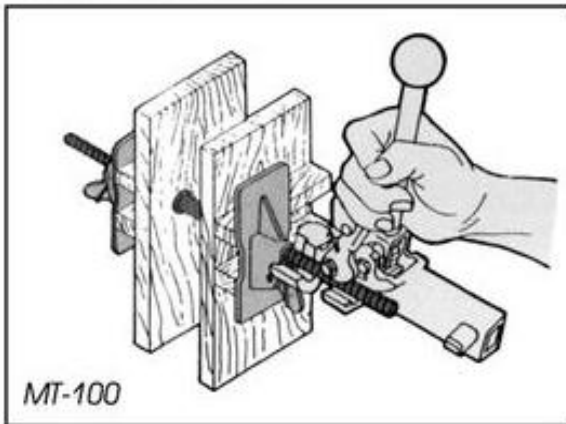
TEL:86-22-87892091 Email:michaelliu@scaffolds.com.cn

www.scaffolds.com.cn www.formworks.com

B7S CONTINUOUS COIL THREADED BOLT



APPLICATION TOOL



■ SC-99 Application Range

- Compatible with \varnothing 9-13.5mm rod

■ SC-99B 使用範圍

- 適用於 \varnothing 6-12mm鋼筋，鐵條及螺桿

Tensile Strength

\varnothing Size	Breaking Load (kgs)	Safety Load (kgs)
\varnothing 9 mm Rod	2,885	1,400
\varnothing 10mm Rod	3,525	1,750
\varnothing 12mm Rod	4,290	2,100
\varnothing 3/8" Rebar	3,100	1,500
\varnothing 10mm Threaded Rod	2,560	1,250
\varnothing 12mm Threaded Rod	2,990	1,450

抗拉強度

試棒規格	破壞負載 (kgs)	安全負載 (kgs)
\varnothing 6 mm 圓光棒	1,100	500
\varnothing 9 mm 圓光棒	3,120	1,500
\varnothing 12mm 圓光棒	4,850	2,400
\varnothing 3/8" 建築鋼筋	2,980	1,400
\varnothing 3/8" 螺桿	2,180	1,000
\varnothing 12mm 螺桿	3,440	1,700

TIANJIN TIANDI SCAFFOLDING & FORMWORK MANUFACTURE CO.,LTD

SCAFFOLDING ACCESSORIE

NO 977,JIN WEI ROAD,BEICHEN DISTRICT
TIANJIN, CHINA

TEL:86-22-87892091
www.scaffolds.com.cn

Email:michaelliu@scaffolds.com.cn
www.formworks.com



TD-SLP01

TD-SLP01-B



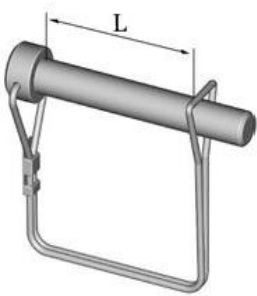
TD-SLP02



TD-SLP03



TD-SLP04



TD-SLP05



TD-SLP05-B



TD-SLP06



TD-SLP07



TD-SLP09



TD-SLP10



TD-SLP11



TD-SLC34 1.03KG



TD-SLC35 0.90KG



TD-SLC36 0.67KG



TD-SLC37 0.65KG



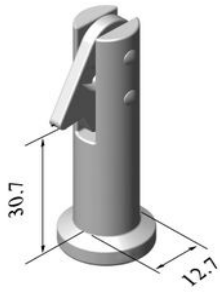
TD-BP1 (2.30LBS)

TIANJIN TIANDI SCAFFOLDING & FORMWORK MANUFACTURE CO.,LTD

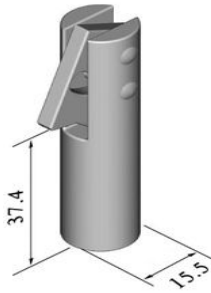
SCAFFOLDING ACCESSORIE

NO 977,JIN WEI ROAD,BEICHEN DISTRICT
TIANJIN, CHINA

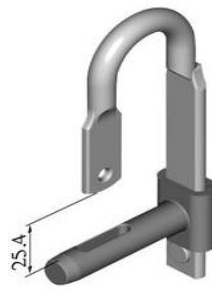
TEL:86-22-87892091 Email:michaelliu@scaffolds.com.cn
www.scaffolds.com.cn www.formworks.com



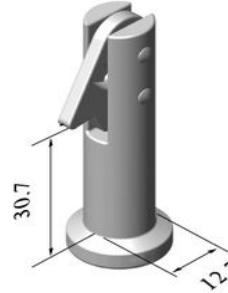
TD-SLL12



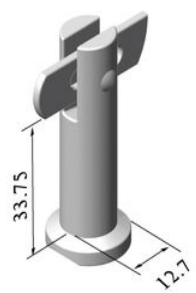
TD-SLL14



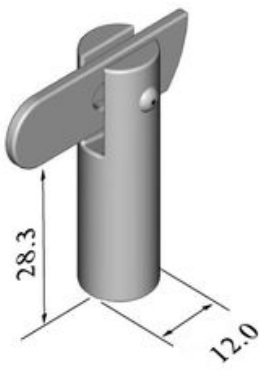
TD-SLL15



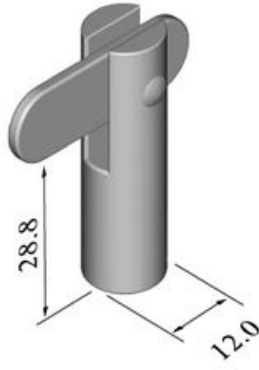
TD-SLL21



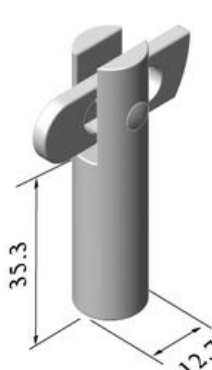
TD-SLL22



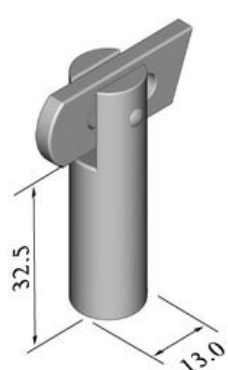
TD-SLL23



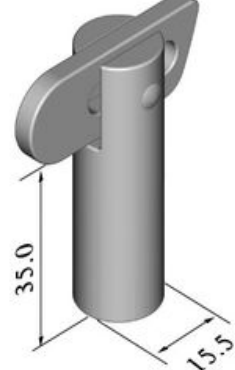
TD-SLL24



TD-SLL25



TD-SLL26



TD-SLL27



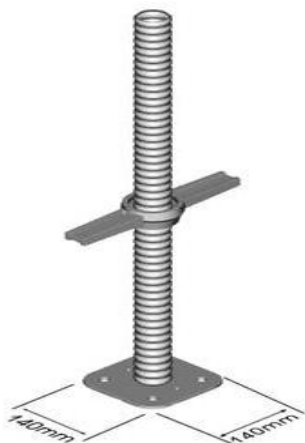
TD-CR5 5"



6"



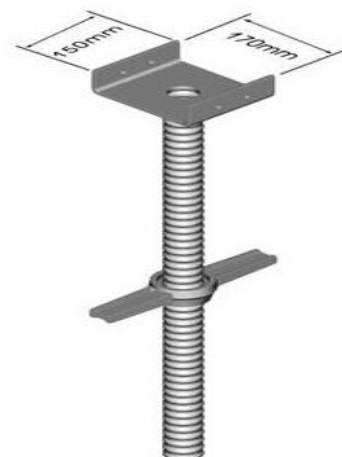
TD-PC8 8"



TD-SJ24 (∅ 36& ∅ 38& ∅ 48)



TD-SJP24 (∅ 36& ∅ 38)



TD-SJP36 (∅ 36& ∅ 38& ∅ 48)