

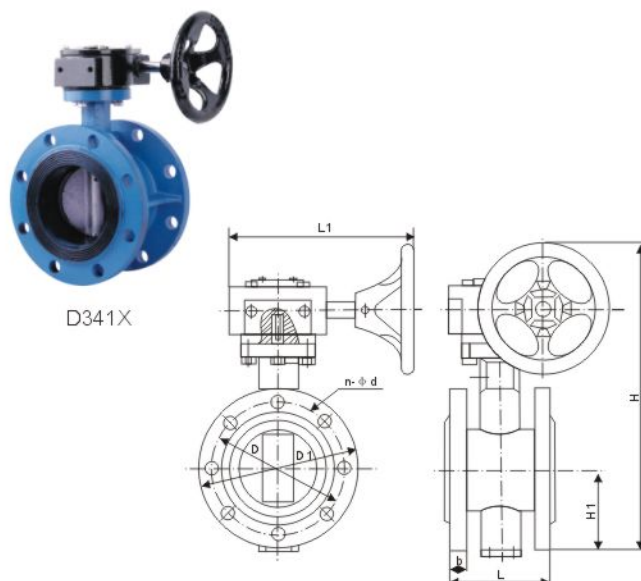
用途 Introduction

本公司生产的蜗轮传动法兰蝶阀，广泛应用于公称压力： \leq PN1.6MPa、适用温度： \leq 200℃的石油、化工、食品、医药、冶金、船舶、造纸、工业环保、给排水、高层建筑管道上，可在多种腐蚀性、非腐蚀性的气体、液体、浆流体及固体粉末管线和容器作启闭或调节介质流量之用。

The company's worm gear drive flange butterfly valve is widely used in the nominal pressure: \leq PN1.6MPa, application temperature: \leq 200℃ oil, chemical, food, medicine, metallurgy, shipbuilding, paper, industrial environmental protection, water supply and drainage, high-rise building the pipeline, in a variety of corrosive, non-corrosive gases, liquids, liquid and solid powder loading pipelines and containers for hoisting or adjust the flow of the medium used.

性能规范 Technical data

公称通径 DN(mm) Nominal diameter	DN50~1000
公称压力 PN(MPa) Nominal pressure	1.0~1.6
适用温度 °C Working temperature	-23~+121
适用介质 Suitable mediums	淡水、污水、海水、气体等 Fresh water, sewage, sea water, gas etc.


主要零部件材质 Material of main parts

零件名称 Part name	材料名称 Material name
阀体 Valve body	灰铸铁、球墨铸铁、不锈钢 Cast iron, ductile iron, stainless steel
阀板 Valve disc	球墨铸铁、不锈钢、铝合金 Ductile iron, Stainless steel, aluminium alloy
阀轴 Valve stem	碳钢、不锈钢 Carbon steel, stainless steel
阀座 Valve seat	橡胶 Rubber
密封 Seal	O型圈 O Type rang

主要尺寸表

DN		L	L1	D		D1	H	H1	b	n-φd	
mm	inch			PN1.0MPa	PN1.6MPa					PN1.0MPa	PN1.6MPa
50	2"	108	180	125	125	150	326	83	20	4-φ18	4-φ18
65	2½"	112	180	145	145	165	344	93	20	4-φ18	4-φ18
80	3"	114	180	160	160	200	363	100	22	4-φ18	8-φ18
100	4"	127	180	180	180	220	396	114	22	8-φ18	8-φ18
125	5"	140	180	210	210	250	421	125	24	8-φ18	8-φ18
150	6"	140	180	240	240	280	453	143	24	8-φ23	8-φ23
200	8"	152	270	295	295	335	578	170	26	8-φ23	12-φ23
250	10"	165	270	350	355	405	638	198	26	12-φ23	12-φ28
300	12"	178	380	400	410	455	731	223	32	12-φ23	12-φ28
350	14"	190	380	460	470	525	783	270	36	16-φ23	16-φ28
400	16"	216	450	515	525	580	888	300	38	16-φ28	16-φ31
450	18"	222	480	565	585	640	958	340	40	20-φ28	20-φ31
500	20"	229	480	620	650	705	1005	355	42	20-φ28	20-φ34
600	24"	267	480	725	770	825	1128	410	48	20-φ30	20-φ36
700	28"	292	640	840	840	920	1476	478	53	24-φ30	24-φ36
800	32"	318	640	950	950	1020	1533	525	58	24-φ33	24-φ39
900	36"	330	750	1050	1050	1120	1655	585	65	28-φ33	28-φ39
1000	40"	410	850	1160	1170	1340	1765	640	76	28-φ36	28-φ42
1200	48"	470	850	1380	1390	1560	1995	755	85	32-φ39	32-φ48
1400	56"	530	1000	1590	1590	1760	2310	910	103	36-φ42	36-φ48
1600	64"	600	1000	1820	1820	1970	2595	1030	123	40-φ48	40-φ56
1800	72"	697	1100	2020	2020	2180	2810	1140	135	44-φ48	44-φ56
2000	80"	760	1100	2230	2230	2345	3100	1250	145	48-φ48	48-φ62