

C-more Industrial Monitors



Industrial Monitor Specifications

LCD Monitor Specifications				
Part Numbers	CTM-18W-M-PM	CTM-22W-M-PM	CTM-24W-M-PM	CTM-27W-M-PM
Size	18.5 in	21.5 in	23.8 in	27 in
Price	\$848.00	\$827.00	\$837.00	\$997.00
PDF Drawings	PDF	PDF	PDF	PDF
DISPLAY				
Display Type	TFT LCD			
Display Diagonal Size	18.5 in	21.5 in	23.8 in	27 in
Display Size (Active Area H x W)	9.1 x 16.1 [231.14 x 408.94]	10.6 x 18.8 [269.24 x 477.52]	11.7 x 20.8 [297.18 x 528.32]	13.3 x 23.6 [337.82 x 599.44]
Resolution (Max.)	1920 x 1080 pixel			
VESA Modes Supported	MIS-D 75 mm x 75 mm, 100 mm x 100 mm			
Displayable Colors	16.7 M colors			
Brightness, Typical	300 nits	400 nits	200 nits	240 nits
Contrast Ratio, Typical	1000:1		3000:1	
Aspect Ratio	16:9			
Viewing Angle (U/D/R/L)	89/89/89/89		85/85/85/85	
Backlight Life (Hours)	50,000	30,000	40,000	40,000
Display Input Signal	HDMI x1, VGA x1			
Touchscreen	10-point anti-fingerprint coating			
Interface	USB B			
Bonding	Air Bonding			
PHYSICAL				
Overall Monitor Dimensions (H x W x D)	17.72 x 10.67 x 2.06 [450.36 x 271.29 x 52.44]	20.37 x 12.17 x 2.06 [517.5 x 309.2 x 52.2]	22.46 x 13.38 x 2.06 [570.4 x 339.9 x 52.4]	25.24 x 14.79 x 2.10 [641.0 x 375.6 x 53.4]
Cutout Dimensions (H x W)	10.29 x 17.23 [261.5 x 437.81]	11.72 x 19.90 [297.9 x 505.6]	12.99 x 21.80 [330.0 x 553.8]	14.54 x 24.70 [369.3 x 627.4]
Chassis Construction	Steel			
Weight	9.3 lb [4.2 kg]	10.6 lb [4.8 kg]	13.7 lb [6.2 kg]	16.5 lb [7.5 kg]
Shipping Weight	11.5 lb [5.2 kg]	13.2 lb [6.0 kg]	16.0 lb [7.3 kg]	19.6 lb [8.9 kg]
ELECTRICAL				
DC Input Voltage	12 VDC			
DC Input Current	2.1 A	2.65 A	1.85 A	2.25 A
Power Consumption	20 W	25.4 W	17.5 W	23.8 W
ENVIRONMENTAL				
Operating Temperature	32 to 158 °F [0 to 70 °C]	-4 to 140 °F [-20 to 60 °C]	32 to 122 °F [0 to 50 °C]	
Storage Temperature	-4 to 158 °F [-20 to 70 °C]		-4 to 140 °F [-20 to 60 °C]	
Operating and Storage Humidity	10% to 80% @ 104 °F [40 °C] (non-condensing)			
Surface Hardness	7H			
Operating Shock	20G acceleration part to part, 11ms			
Operating Vibration	1G random 5 to 500Hz			
Altitude	<2000m			
Pollution Degree	2			
AGENCY				
Environmental	IP65 (front)			
FCC	Yes			
Compliance Certifications	CE, RoHS, CAN/CSA C22.2 No. 61010-1-12, CAN/CSA-C22.2 No. 61010-2-201:18			
Safety Agency Approvals	UL61010-1, UL61010-2-201			

Note: Dimensions are given as inches [millimeters] unless otherwise specified.

C-more Industrial Monitors



Supported PC Video Modes

Video Modes					
Resolution	Frequency (Hz)	CTM-18W-M-PM	CTM-22W-M-PM	CTM-24W-M-PM	CTM-27W-M-PM
640 x 480(VGA)	60	Supported	Supported	Supported	Supported
640 x 480(VGA)	75	Supported	Supported	Supported	Supported
720 x 400	70	Supported	Supported	Supported	Supported
800 x 600(SVGA)	60	Supported	Supported	Supported	Supported
800 x 600(SVGA)	75	Supported	Supported	Supported	Supported
1024 x 768(XGA)	60	Supported	Supported	Supported	Supported
1024 x 768(XGA)	75	Supported	Supported	Supported	Supported
1280 x 720(HD)	50	Supported	Supported	Supported	Supported
1280 x 720(HD)	60	Supported	Supported	Supported	Supported
1280 x 800(WXGA)	60	Supported	Supported	Supported	Supported
1280 x 1024(SXGA)	60	Supported	Supported	Supported	Supported
1280 x 1024(SXGA)	75	Supported	Supported	Supported	Supported
1366 x 768(FWXGA)	60	Supported	Supported	Supported	Supported
1440 x 900(WXGA+)	60	Supported	Supported	Supported	Supported
1680 x 1050(WSXGA+)	60	Supported	Supported	Supported	Supported
1920 x 1080(FHD)	50	Supported	Supported	Supported	Supported
1920 x 1080(FHD)	60	Supported	Supported	Supported	Supported

C-more Industrial Monitors



CTM-18W-M-PM

The **C-more** CTM-18W-M-PM Industrial Monitor is a high performance 18.5 in Widescreen LCD panel with LED backlight with up to 50,000 hour service life. The 10-point PCAP touchscreen is resistant to dust and moisture with an anti-fingerprint coating. The CTM-18W-M-PM accepts USB-B (touchscreen), standard analog VGA, or HDMI input, and can display video modes up to 1920 x 1080 at 60Hz, 1000:1 contrast with video 16.7 million colors. The monitor is certified to IP65 standards and is UL/CUL listed. Panel mounting is simplified using convenient mounting clips for panel-mount or VESA-mount.



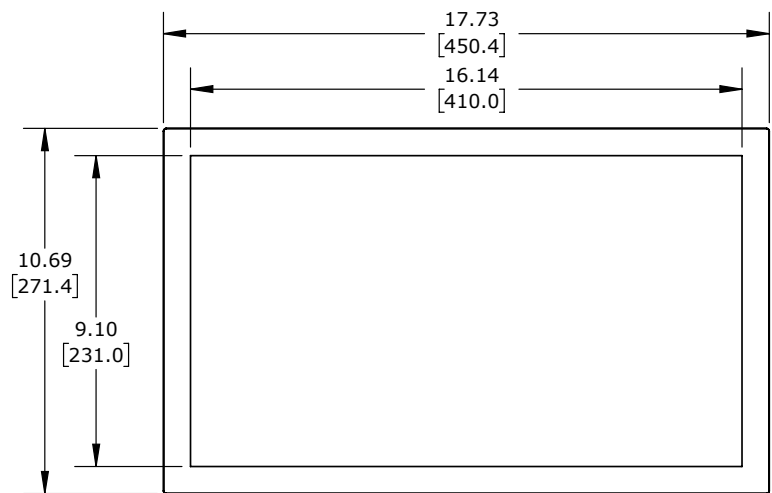
\$848.00

***Visit automationdirect.com for specific operating system requirements.**

Specifications

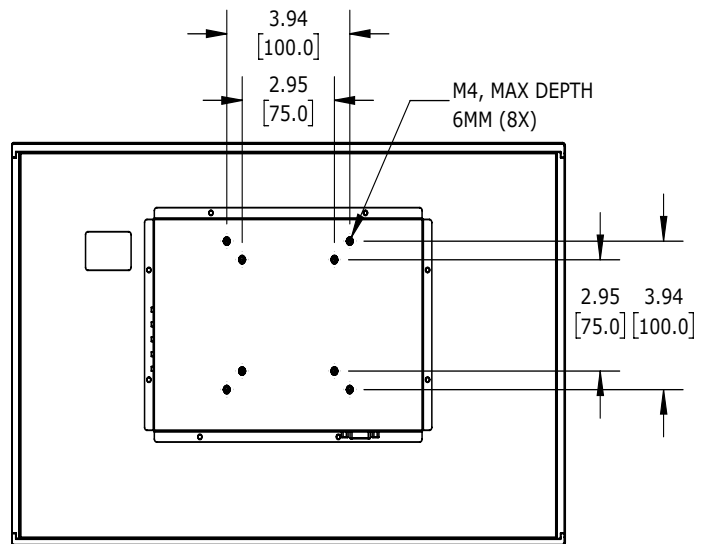
- 18.5 in (Widescreen) LCD panel with LED backlight with up to 50,000 hour service life
- 10-point PCAP touchscreen
- UL61010 listed
- IP65 front bezel
- 2-year warranty
- Simplified installation with no studs
- Accepts analog 15-pin video or HDMI input
- Displays 16.7 million colors
- Works with CM5-RHMI

Front View

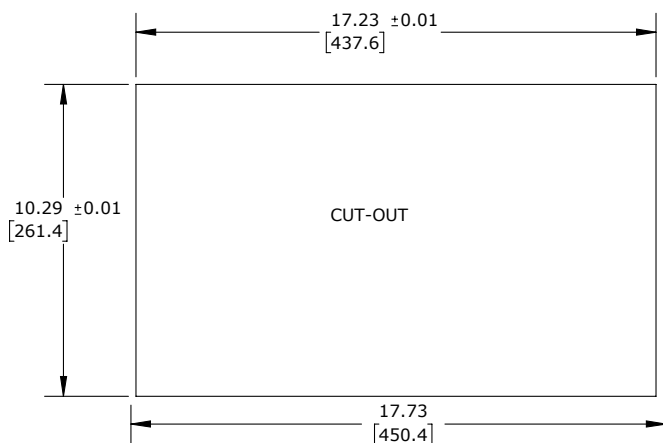


NOTE: Don't forget the brackets CTM-18W-BRK, shown on the Accessories page.

VESA Dimensions



Mounting Cutout



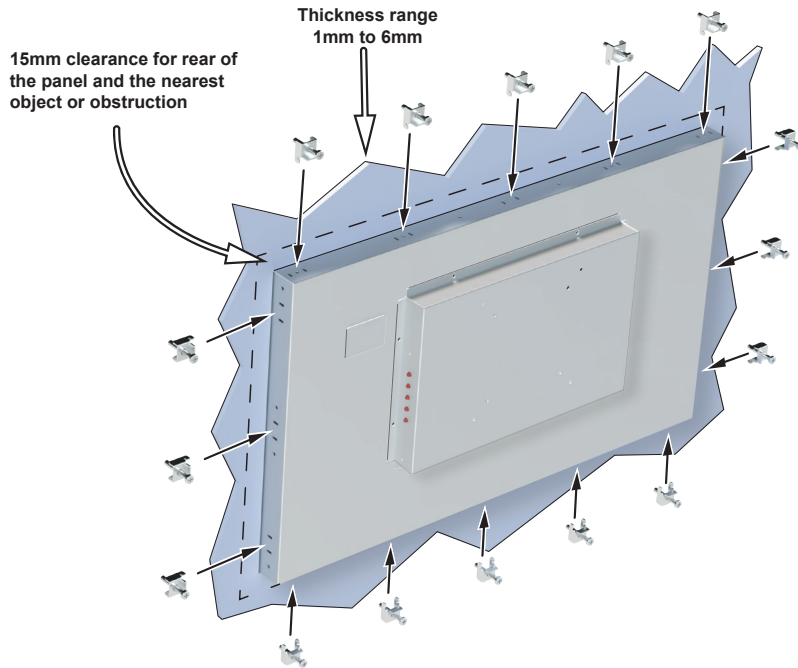
C-more Industrial Monitors



Mounting Bracket Installation

The CTM series can be panel-mounted with Max. 20 mounting brackets (not included). Make sure there is adequate space behind the panel for ventilation (0.6in [15mm] minimum), and that the panel material and thickness can support the weight of the device.

Mounting Bracket Diagram

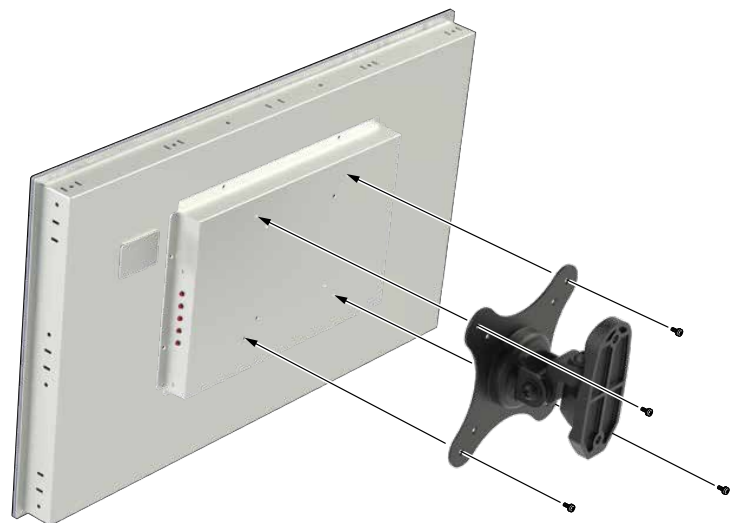


NOTE: See monitor part page for cutout dimensions.

Part Number	Price
<i>CTM-18W-BRK</i>	\$49.00
<i>CTM-22W-BRK</i>	\$52.00
<i>CTM-24W-BRK</i>	\$61.00
<i>CTM-27W-BRK</i>	\$61.00
<i>CTM-BULK-BRK</i>	\$0.00

VESA Mounting

VESA-mount to a standard VESA 75 x 75mm or 100 x 100mm mount using (4) M4 x 0.7mm screws (not included). The monitor thread is 6mm deep.



NOTE: Standard VESA MID-D mounting: 75 x 75 mm and 100 x 100 mm.

C-more Industrial Monitors Setup

Power Requirements

The power connection is a 5.5 mm x 2.5 mm barrel connector.

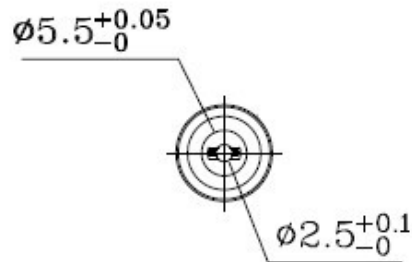
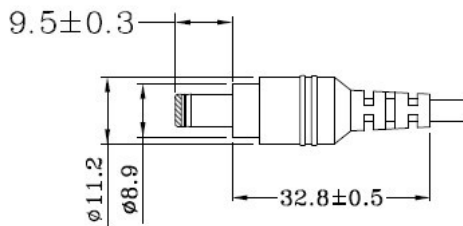
Power can be supplied from a standard 12VDC brick power supply such as a FSP060-DHAN3 (shown in digagram below).

The box also contains a terminal to barrel adapter which may be used with an appropriately sized industrial power supply such as one of these ADC power **supplies**:

[PSV12-50S](#)

[PSL-12-060](#)

Pin No.	Pin Name	Signal Type
1	Center Pin +12V @5A	Power
2	GND	GND

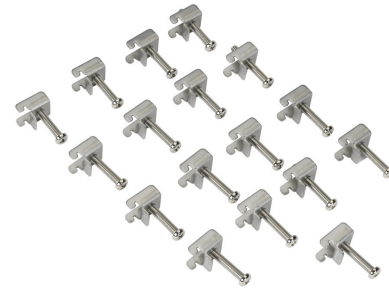


C-more Monitor Accessories



Mounting Brackets

Part Number	Description	Price
<u>CTM-18W-BRK</u>	C-more panel mounting brackets, package of 16. For use with C-more CTM-18W-M-PM industrial display.	\$49.00
<u>CTM-22W-BRK</u>	C-more panel mounting brackets, package of 17. For use with C-more CTM-22W-M-PM industrial display.	\$52.00
<u>CTM-24W-BRK</u>	C-more panel mounting brackets, package of 20. For use with C-more CTM-24W-M-PM industrial display.	\$61.00
<u>CTM-27W-BRK</u>	C-more panel mounting brackets, package of 20. For use with C-more CTM-27W-M-PM industrial display.	\$61.00




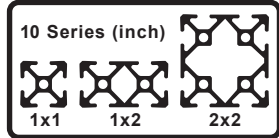
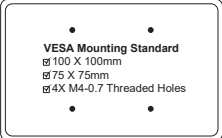




CTM-22W-BRK

FATH® T-Slotted Rail Accessories

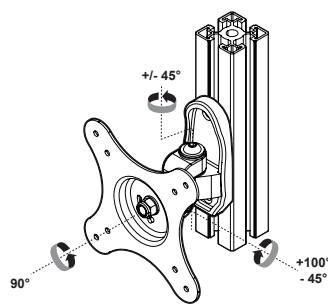
Monitor Mounts

- Fits monitors with VESA mounting standard
- Durable steel construction
- Powder coat finish
- Mounting hardware included for several mounting locations

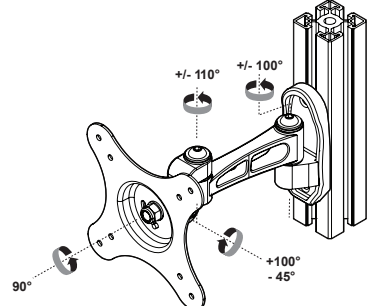


10 Series Monitor Mounts							
		Fits 					
Part Number	Part Image	Price	Description	Load Rating kg [lb]	Pack Quantity	Installation Instructions Link	Drawing Link
162893		\$43.00	Swivel Monitor Mount	15 [33.1]	1	PDF	PDF
162894		\$51.00				PDF	PDF
162895		\$59.00				PDF	PDF
172520		\$36.00	200 x 200mm Monitor Mount Extension	-		PDF	PDF

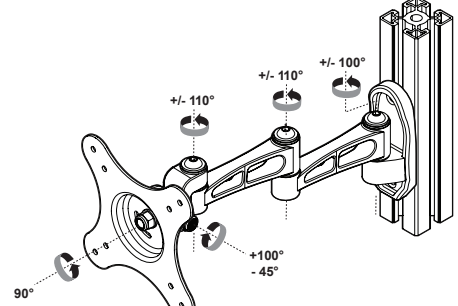
Monitor Mounts Adjustments



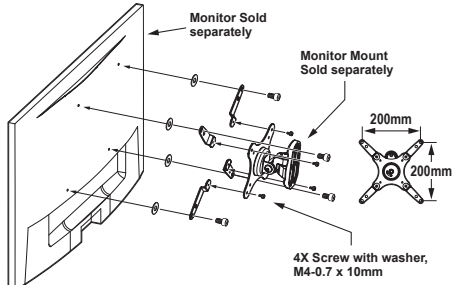
162893



162894



162895



172520

4X Screw with washer, M4-0.7 x 10mm


FATH® T-Slotted Rail Accessories

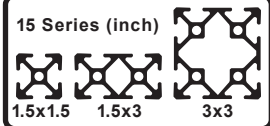
Monitor Mounts

- Fits monitors with VESA mounting standard
- Durable steel construction
- Mounting hardware included for several mounting locations




15 Series Monitor Mounts

Fits  Slot Size 8

15 Series (inch)

 1.5x1.5 1.5x3 3x3

VESA Mounting Standard
 Ø100 X 100mm
 Ø75 X 75mm
 Ø4X M4-0.7 Threaded Holes


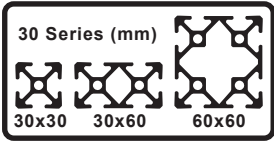
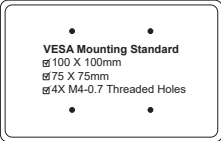




Part Number	Part Image	Price	Description	Load Rating kg [lb]	Pack Quantity	Installation Instructions Link	Drawing Link
162893		\$43.00	Swivel Monitor Mount	15 [33.1]	1	PDF	PDF
162894		\$51.00				PDF	PDF
162895		\$59.00				PDF	PDF
162896		\$94.00	Monitor Mounting Joint			PDF	PDF
162897		\$94.00	Monitor Holder			PDF	PDF
162899		\$331.00	4-Axis Mounting Support	10 [22.0]		PDF	PDF
162900		\$401.00	5-Axis Mounting Support			PDF	PDF
162901		\$641.00	4-Axis Workstation	8 [17.6]		PDF	PDF
172518		\$750.00	4-Axis Dual Monitor Workstation			PDF	PDF
172520		\$36.00	200 x 200mm Monitor Mount Extension	-	PDF	PDF	

FATH® T-Slotted Rail Accessories

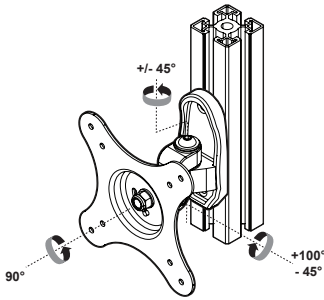
Monitor Mounts

- Fits monitors with VESA mounting standard
- Durable steel construction
- Powder coat finish
- Mounting hardware included for several mounting locations

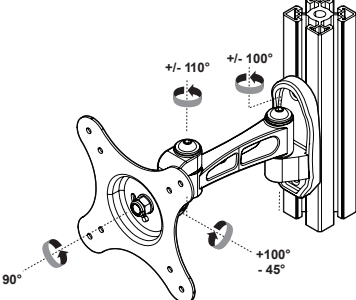


30 Series Monitor Mounts							
		Fits 					
Part Number	Part Image	Price	Description	Load Rating kg [lb]	Pack Quantity	Installation Instructions Link	Drawing Link
162893		\$43.00	Swivel Monitor Mount	15 [33.1]	1	PDF	PDF
162894		\$51.00					
162895		\$59.00					
172520		\$36.00	200 x 200mm Monitor Mount Extension	-		PDF	PDF

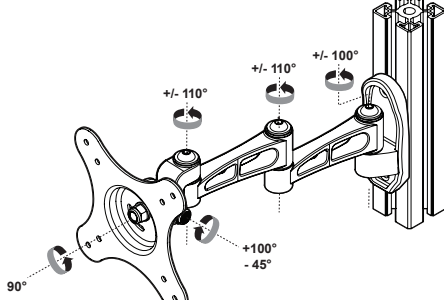
Monitor Mounts Adjustments



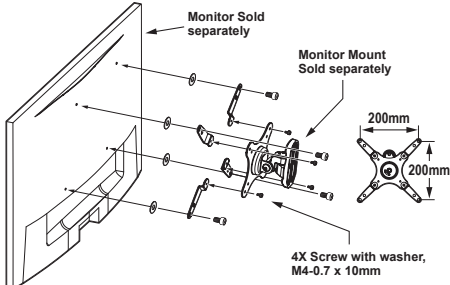
162893



162894



162895




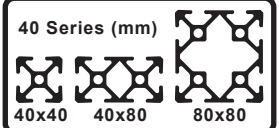
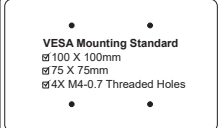





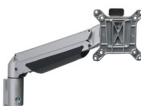




172520

FATH® T-Slotted Rail Accessories

Monitor Mounts

- Fits monitors with VESA mounting standard
- Durable steel construction
- Mounting hardware included for several mounting locations



40 Series Monitor Mounts							
		Fits  Slot Size 8					
Part Number	Part Image	Price	Description	Load Rating kg [lb]	Pack Quantity	Installation Instructions Link	Drawing Link
162893		\$43.00	Swivel Monitor Mount	15 [33.1]	1	PDF	PDF
162894		\$51.00				PDF	PDF
162895		\$59.00				PDF	PDF
162896		\$94.00	Monitor Mounting Joint			PDF	PDF
162897		\$94.00	Monitor Holder			PDF	PDF
162899		\$331.00	4-Axis Mounting Support	10 [22.0]		PDF	PDF
162900		\$401.00	5-Axis Mounting Support			PDF	PDF
162901		\$641.00	4-Axis Workstation	8 [17.6]		PDF	PDF
172518		\$750.00	4-Axis Dual Monitor Workstation			PDF	PDF
172520		\$36.00	200 x 200mm Monitor Mount Extension	-	PDF	PDF	

FATH® T-Slotted Rail Accessories

Monitor Mounts - Continued

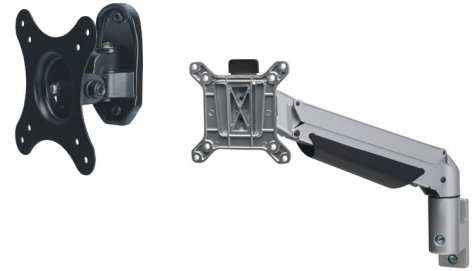
Monitor Mounts Adjustments


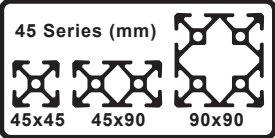
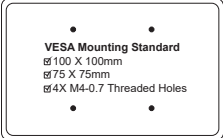





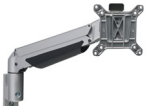




<p>162893</p>	<p>162894</p>	<p>162895</p>
<p>162896</p>	<p>162897</p>	<p>172520</p>
<p>162899</p>	<p>162900</p>	
<p>162901</p>	<p>172518</p>	

FATH® T-Slotted Rail Accessories

Monitor Mounts

- Fits monitors with VESA mounting standard
- Durable steel construction
- Powder coat finish
- Mounting hardware included for several mounting locations



45 Series Monitor Mounts							
Fits  Slot Size 10							
Part Number	Part Image	Price	Description	Load Rating kg [lb]	Pack Quantity	Installation Instructions Link	Drawing Link
162893		\$43.00	Swivel Monitor Mount	15 [33.1]	1	PDF	PDF
162894		\$51.00				PDF	PDF
162895		\$59.00				PDF	PDF
162896		\$94.00	Monitor Mounting Joint			PDF	PDF
162898		\$95.00	Monitor Holder			PDF	PDF
162899		\$331.00	4-Axis Mounting Support	10 [22.0]		PDF	PDF
162900		\$401.00	5-Axis Mounting Support			PDF	PDF
162901		\$641.00	4-Axis Workstation	8 [17.6]		PDF	PDF
172518		\$750.00	4-Axis Dual Monitor Workstation			PDF	PDF
172520		\$36.00	200 x 200mm Monitor Mount Extension	-		PDF	PDF

FATH® T-Slotted Rail Accessories

Monitor Mounts - Continued

Monitor Mounts Adjustments

<p>162893</p>	<p>162894</p>	<p>162895</p>
<p>162896</p>	<p>162898</p>	<p>172520</p>
<p>162899</p>	<p>162900</p>	
<p>162901</p>	<p>172518</p>	