

# PPC-1120

## 12.1" Fanless Panel PC with Intel® Atom™ N455 Processor



### Features

- 12.1" TFT XGA LCD with resistive touchscreen
- Embedded Intel ATOM processor, single core N455 1.66 GHz onboard
- System memory up to 2 GB DDR3 SDRAM
- Supports one internal SATA 2.5" HDD
- Supports one Mini PCIe socket, two Gigabit Ethernet
- Fanless and compact size
- Supports two serial ports, one RS-232, one RS-232/422/485
- Supports one CFast socket

### Introduction

PPC-1120 is a new 12.1" Fanless Panel PC equipped with an Intel Atom processor N455. Designed to be a valued and reliable solution for versatile applications, PPC-1120 includes a slim shape and stainless steel structure, and 12.1" TFT LCD screen provides display resolutions up to 1024 x 768. PPC-1120 is the ideal choice for easy mounting in limited space such as machine builder and process controller.

### Specifications

#### Display

▪ <b>Display Type</b>	12.1" TFT LCD
▪ <b>Max. Resolution</b>	1024 x 768
▪ <b>Colors</b>	16.2M/262k
▪ <b>Dot Size (mm)</b>	0.240 (H) x 0.240 (V)
▪ <b>Viewing Angle</b>	80 (left), 80 (right), 70 (up), 70 (down)
▪ <b>Luminance</b>	500
▪ <b>Operating Temperature</b>	-30 ~ 70°C
▪ <b>Backlight Lifetime</b>	30,000 hrs (min)

#### Touchscreen

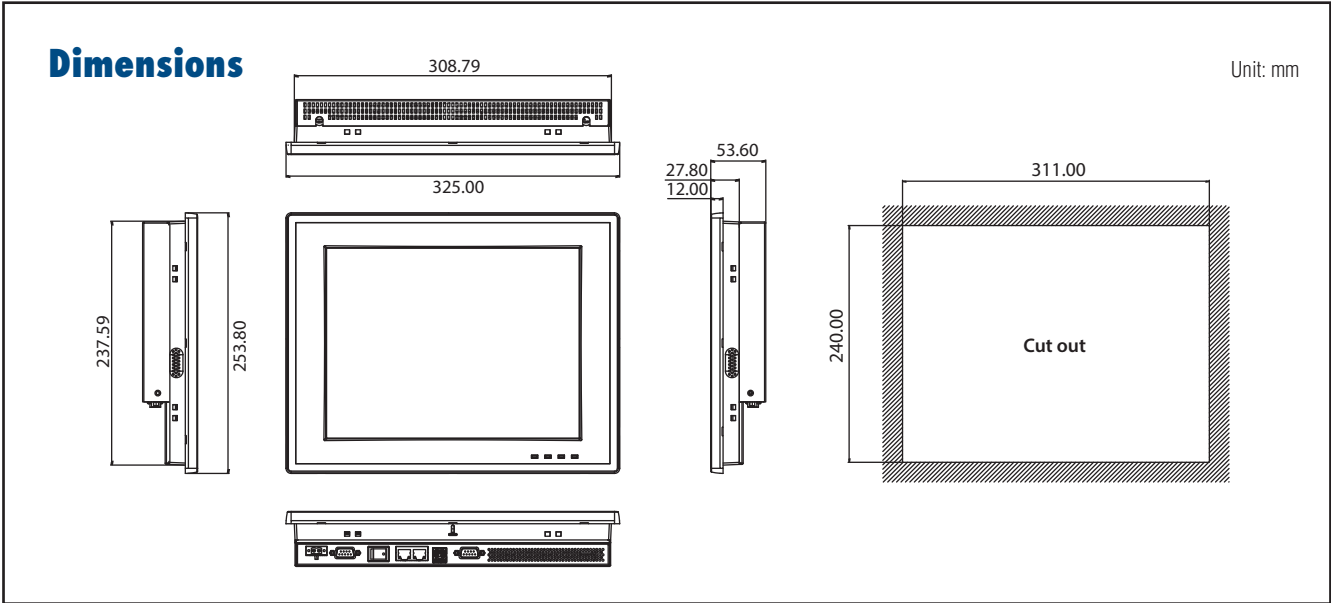
▪ <b>Touch Type</b>	Analog Resistive 5 wires
▪ <b>Resolution</b>	2048 x 2048
▪ <b>Light Transmission</b>	80±3%
▪ <b>Controller</b>	RS232 interface
▪ <b>Software Driver Support</b>	Windows XP, CE, Win7
▪ <b>Durability (Touches)</b>	36 million

#### Environment

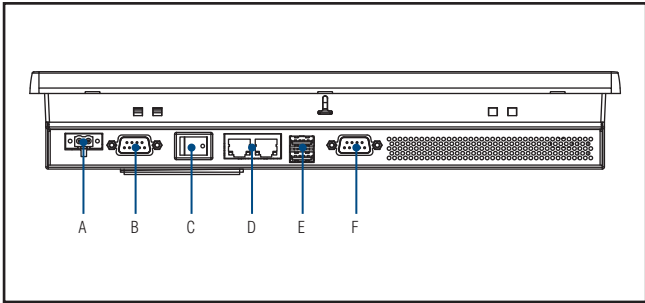
▪ <b>Operating Temperature</b>	0 ~ 50°C (32 ~ 122°F)
▪ <b>Storage Temperature</b>	-20 ~ 60°C (-4 ~ 140°F)
▪ <b>Relative Humidity</b>	10 ~ 95% @ 40° C (non-condensing)
▪ <b>Shock</b>	Operating 10 G peak acceleration (11 ms duration), follows IEC 60068-2-27
▪ <b>Vibration</b>	Operating Random Vibration Test 5~500Hz, 1Grms, follows IEC 60068-2-64
▪ <b>EMC</b>	CCC
▪ <b>Safety</b>	CCC
▪ <b>Front Panel protection</b>	IP65 compliant

#### General

▪ <b>CPU</b>	Intel Atom N455 1.66GHz 6.5W Single Core CPU on board
▪ <b>Memory</b>	SO-DIMM x 1, DDR3 667, Max 2GB
▪ <b>2nd Cache Memory</b>	512 KB
▪ <b>Chipset</b>	Intel ICH8M
▪ <b>SSD</b>	Cfast*1 (internal)
▪ <b>HDD</b>	1 x 2.5" SATA HDD module
▪ <b>I/O Ports</b>	2 x Serial ports: RS-232 x 1, RS-232/422/485 x 1 2 x USB ports (external)
▪ <b>Bus Expansion</b>	1 x Mini PCIe
▪ <b>Network (LAN)</b>	2 x 10/100/1000 Mbps Ethernet
▪ <b>Watchdog Timer</b>	255 timer levels; setup by software
▪ <b>Dimensions (W x H x D)</b>	325 x 253.8 x 53.6 mm
▪ <b>Weight</b>	3.15 kg
▪ <b>OS Support</b>	Microsoft XPE, XP pro, CE6.0, Win7
▪ <b>Power Supply</b>	DC 12 ~24V



### I/O Appearance



- A. DC-in
- B. RS-232
- C. Power S/W
- D. 2 x LAN
- E. 2 x USB
- F. RS-232/422/485

### Ordering Information

- **PPC-1120-R2GAE** Intel Atom N455 Fanless Panel PC with 12.1" XGA LED backlight
- **1757004659-01** Adapter AC100-240V 65W 19V
- **989KL128T02E** Wireless LAN Module for PPC-L128T Series
- **2070012324** Image WES09 for PPC-1120 V3.34
- **2070012325** Image Win CE 6.0 pro for PPC-1120 V3.04
- **1700008921** Power cord 3P/3P Power Supply 1.8M PSE
- **PPC-174T-WL-MTE** Wall mount kit for PPC series
- **PPC-3100-STANDE** Stand for PPC-3100 series