

# PPC-1100

## 10.4" Fanless Panel PC with Intel® Atom™ N455 Processor



### Features

- 10.4" TFT SVGA LED Panel with resistive touchscreen
- Embedded Intel ATOM processor, single core N455 1.66 GHz onboard
- System memory up to 2 GB DDR3 SDRAM
- Supports one internal SATA 2.5" HDD (Optional)
- Supports one Mini PCIe socket, two Gigabit Ethernet
- Fanless and compact size
- One RS-232, One RS-232/422/485
- Supports one CFast socket

### Introduction

PPC-1100 is a valued and ultraslim 10.4" Fanless Panel PC. It is built with a 10.4" TFT SVGA LED panel, and low power consumption Intel Atom processor N455. PPC-1100 is highly reliable because of fanless design. It provides 2 x serial ports, 2 x USB ports, and two GbE LAN to satisfy various industrial application. With compact and slim design, PPC-1100 is very easy to install with a slender housing when the space is limited.

### Specifications

#### Display

- **Display Type** 10.4" TFT LCD (LED backlight)
- **Max. Resolution** 800 x 600
- **Colors** 16.2M/262k
- **Pixel Pitch (mm)** 0.264 x 0.264
- **Viewing Angle** 80 (left), 80 (right), 70 (up), 70 (down)
- **Luminance** 400
- **Operating Temperature** -20 ~ 70°C
- **Backlight Lifetime** 30,000 hrs

#### Touchscreen

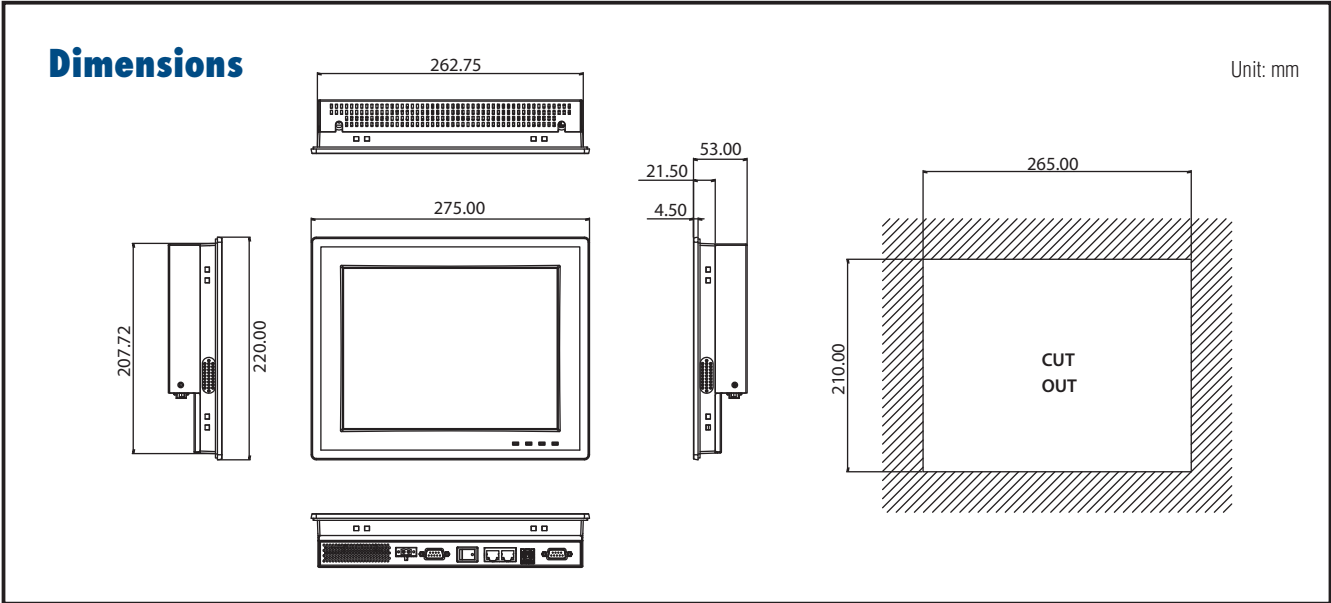
- **Touch Type** Analog Resistive 5 wires
- **Resolution** 2048 x 2048
- **Light Transmission** 81±3%
- **Controller** RS232 interface
- **Software Driver Support** Windows XP, CE, Win7
- **Durability (Touches)** 36 million

#### Environment

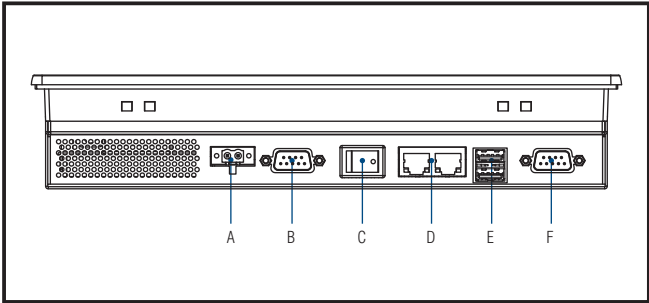
- **Operating Temperature** 0 ~ 50°C (32 ~ 122°F)
- **Storage Temperature** -20 ~ 60°C (-4 ~ 140°F)
- **Relative Humidity** 10 ~ 95% @ 40° C (non-condensing)
- **Shock** Operating 10 G peak acceleration (11 ms duration), follows IEC 60068-2-27
- **Vibration** Operating Random Vibration Test 5~500Hz, 1Grms, follows IEC 60068-2-64
- **EMC** CCC
- **Safety** CCC
- **Front Panel protection** IP65 compliant

#### General

- **CPU** Intel Atom N455 1.66GHz 6.5W Single Core CPU on board
- **Memory** SO-DIMM x 1, DDR3 667, Max 2GB
- **2nd Cache Memory** 512 KB
- **Chipset** Intel ICH8M
- **SSD** Cfast\*1 (internal)
- **HDD** 1 x 2.5" external SATA HDD module (Optional)
- **I/O Ports** 2 x Serial ports: RS-232 x 1, RS-232/422/485 x 1  
2 x USB ports (external)
- **Bus Expansion** 1 x Mini PCIe
- **Network (LAN)** 2 x 10/100/1000 Mbps Ethernet
- **Watchdog Timer** 255 timer levels; setup by software
- **Dimensions (W x H x D)** 275 x 220 x 53 mm
- **Weight** 2.3 kg
- **OS Support** Microsoft XPE, XP pro, CE6.0, Win7
- **Power Supply** DC 12 ~24V



### I/O Appearance



- A. DC-in
- B. RS-232
- C. Power S/W
- D. 2 x LAN
- E. 2 x USB
- F. RS-232/422/485

### Ordering Information

- **PPC-1100-R2GAE** Intel Atom N455 Fanless Panel PC with 10.4" SVGA LED backlight
- **1757004659-01** Adapter AC100-240V 65W 19V
- **PPC-1100-HDDE** HDD bracket module for PPC-1100
- **989KL128T02E** Wireless LAN Module for PPC-L128T Series
- **2070012176** Image Win CE 6.0 pro for PPC-1100 V3.04
- **2070012177** Image WES09 for PPC-1100 V3.32 12-Multi
- **1700008921** Power cord 3P/3P Power Supply 1.8M PSE
- **PPC-174T-WL-MTE** Wall mount kit for PPC series
- **PPC-3100-STANDE** Stand for PPC-3100 series