

Item No.:

Qty.:

Project:

MF 250.2

Multi-function Roll-in Blast Chiller and Shock Freezer



MultiFresh®: the blast chiller that organizes your production and processes with flexibility 24 hours a day.

MultiFresh® can run cycles of chilling and freezing with temperatures up to -40°C preserving the product consistency, the moisture and nutritional properties.

Multifunction 7" touchscreen display, product specific cycles, wide range of options, customization of all the parameters for each cycle.

Capacity

Trolley capacity: 2 x GN 1/1

1 x GN 2/1

2 x 400x600

1 x 800x600

Yield

Yield for blast chilling cycle ($+90^{\circ}\text{C}/+3^{\circ}\text{C}$) kg 250

Yield for shock freezing cycle ($+90^{\circ}\text{C}/-18^{\circ}\text{C}$) kg 250

Product Warranty Protection

- 2 years from the date of installation, after sending the installation report, on the parts (see warranty condition)

Certification



Standard Construction Features

- Cabinet + Remote condensing unit air.
- IRINOX BALANCE SYSTEM®: the perfect sizing of the main components of the refrigeration system (condenser, evaporator, compressor and fans).
- Maximum cleanliness and hygiene due to rounded corners and components situated in the chamber so that they can be easily accessed and cleaned.
- Mechanical locking device with a low temperature resistant gasket.
- Internal and external finishes of the cabinet are in stainless steel AISI 304
- 80 mm thick cabinet panels, insulated with high density polyurethane foam.
- Evaporator fan door can be opened for cleaning and maintenance.
- 5-chamber magnetic door seals with dirt-repellent profile.
- Door frame profiles with anti-moisture resistance.
- Ergonomic mechanical closure handle with internal panic button.
- Multisensor® 5 point probe for perfect temperature control.
- Automatic switch from manual mode (timed) to automatic mode (with probe); Multifresh® senses if the probe has been inserted or not.
- Wireless data transfer (HACCP control software).
- Sunken floor.
- Door hinged on the right, reversible.
- Drain on the left side (different position on request).
- Refrigerant Gas R452A/R404A

Unique Design and Performance Features

- STANDARD VERSION: blast chilling and shock freezing cycles from any temperature of the product, to $+3^{\circ}\text{C}/-18^{\circ}\text{C}$ at the core.
- PLUS VERSION (on request): blast chilling, shock freezing, thawing, holding, chocolate, regeneration, pasteurization, proofing and low temperature cooking. Sanigen® included.
- The touch screen also works when you are using kitchen gloves.
- Manual defrosting at the end of the day (not during the work cycles).

Option and Accessories

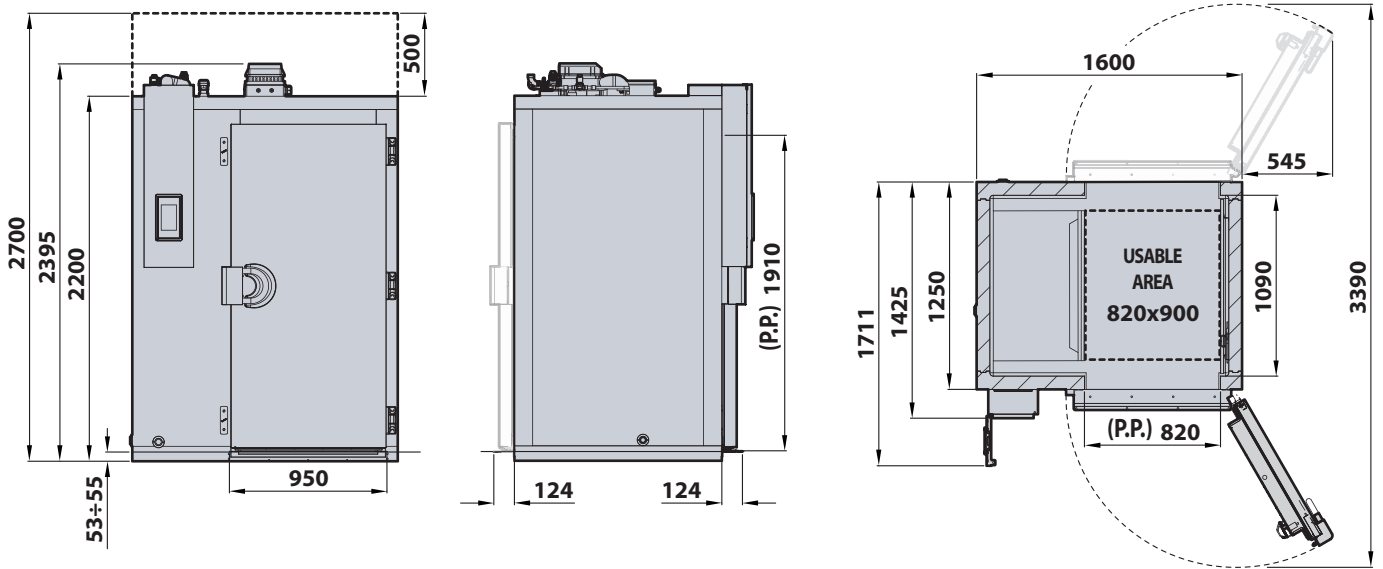
- Door hinged left
- Ramp
- Sous-vide core probe
- Door stop 100° and 120°
- Magnetic door stop 100°
- SANIGEN®: 24/7 sanification (already included in the Plus version)
- Pass-thru version
- Mirror Unit
- Knocked down
- Condensing unit on request: Air condensation + extra low dB remote condenser; Air condensation + remote condenser; Pipeline water condensation; Tower water condensation;
- Ventilated floor (only with ramp)
- Reinforced floor in stainless steel 20/10
- Low temperature kit (for air condensation only)
- Wifi Mya
- Ethernet board
- Freshcloud connection kit (Ethernet card & wi-fi included)
- Anti-vibration feet for condensing unit
- Dashboard protection IP66
- Frontal/Back door alarm (visual and acoustic)
- Unit sent without gas charge
- Special Voltage on request

Item No.:

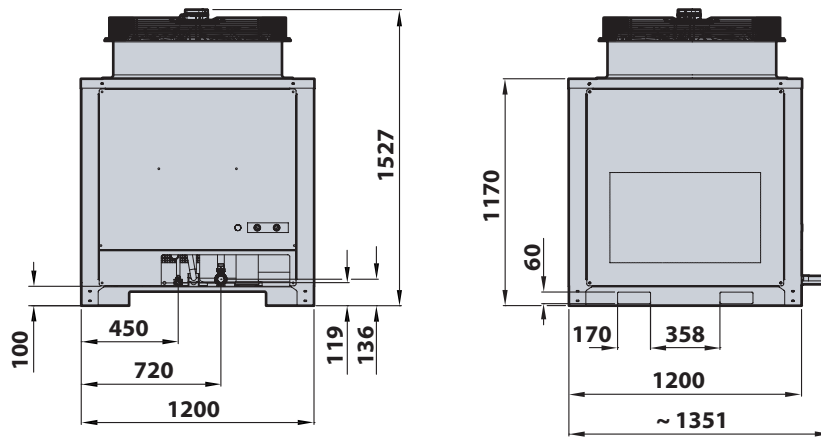
Qty.:

Project:

Cabinet



Unit



Item No.:

Qty.:

Project:

	Cabinet MF250.2	Unit UC250
Dimensions	W. 1600 mm D. 1425 mm H. 2395 mm	W. 1200 mm D. 1200 mm H. 1527 mm
Pit Dimensions	1610 mm × 1260 mm × 55 mm	-
Weight	480 kg	307 kg

Electric Data		
Electric Supply	400V-3N+PE 50Hz	400V-3N+PE 50Hz
Full Load Amps (FLA)	Standard 5,20 A / Plus 15,30 A	32,20 A
Total Rating (FLI)	Standard 2,40 kW / Plus 10,20 kW	18,10 kW
Start Electrical absorption (RLA)	-	132,00 A
Compressor Noise (1 m)	-	68,3 dB(A)

Key Refrigeration System Data		
Compressor Rating (HP)	-	15,00
Refrigeration Yield (-10°C/40°C) W	-	24900
Condensing Rating (-10°C/40°C) W	-	34700
Refrigeration Type	-	R452A/R404A
Refrigeration Pre-load (kg gas)	-	14,0
Maximum Ambient Air Temperature	32°C	42°C

INSTALLATION

A detailed installation manual is provided. It must be carefully followed to ensure proper operation and to protect your rights under the warranty.

The connection material between the cabinet and the condensing unit must be provided by the installer.

Continued product development may necessitate specification changes without notice.

Irinox S.p.A.

Headquarter: Via Caduti nei Lager 1, 31015 Conegliano (TV) Italy

Productive Site: Via Mattei, 20 - 31029 - Vittorio Veneto (TV) Italy

Tel. +39 0438 2020 | irinox@irinox.com | www.irinoxprofessional.com