



CW3 RUN-WET® Combo System

Designed for Harsh Washdown Environments

The CW3 RUN-WET® Combo System is a fully IP69 rated checkweigher and metal detector system designed to the latest industry leading principles for optimum hygienic standards.

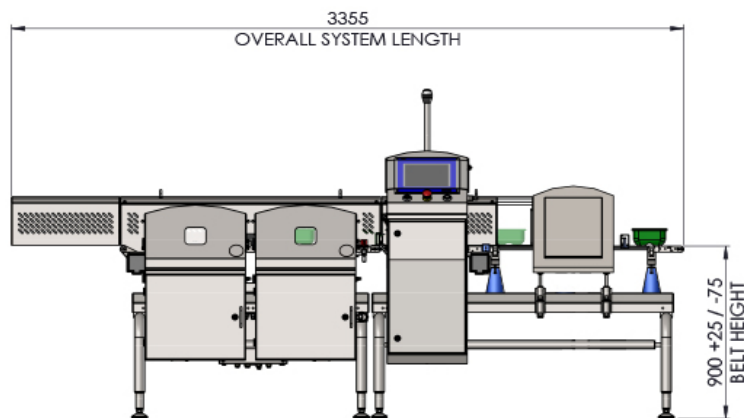
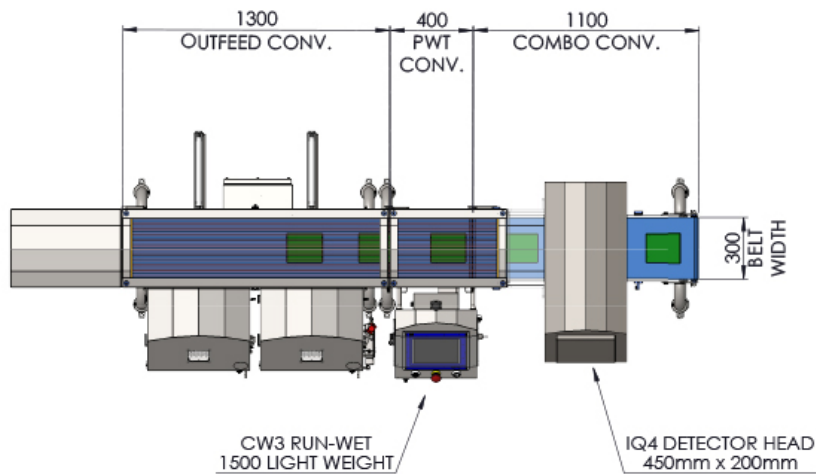
Product Highlights

- A combination system for high-care, harsh washdown environments handling raw ingredients or food processed prior to cooking or final packaging
- Fully IP69 rated to withstand high-pressure, high-temperature cleaning
- Multilevel password protection via RFID tags provides secure access and are logged against events for traceability (CFR21 part11)
- Single touchscreen control via the checkweigher complete with icon driven menus for easy operation and integrated machine communication for safe product transfer
- With this checkweigher and metal detector system, purchasing, installation and support is from one supplier, simplifying the management of this CCP
- Extensive data logging and reporting via USB or ethernet for HACCP and retail compliance



Technical Specification

| | Models | |
|--|---|-----------------|
| | 1500L | 6000M |
| Weight Range (g) MID/R51 Approved | 50 - 1500 | 50 - 6000 |
| Weight Range (g) Non - Approved | 10 - 1500 | 25 - 6000 |
| Belt Width (mm) | 200 300 | 200 300 400 |
| Metal Detector App Height (mm) | 100 150 200 250 | |
| Finish | 304 Stainless Steel | |
| Line Height Options (mm) | 775 - 825 825 - 925 900 - 1100 1150 - 1550 | |
| System Length (mm) - Application Dependant | Infeed: 800 - 1300 (in 100mm increments) Weighing Platform: 1500M 250 - 500 6000M 300 - 700 (in 50mm increments) Outfeed: 1000 - 1300 (in 100mm increments) | |
| Maximum Speed | 115m/min | |
| Supply Voltages | 110 or 230V/1ph / N+E 50 or 60Hz | |
| Air Supply | 5 to 8 Bar, 72-116 PSI | |
| Operating Temperatures | 0-40°C | |
| IP Rating | IP69 | |
| Belt Type | PU Anti Static (Steam / Vapour Proof) | |
| Data Retrieval | Via USB, Ethernet, TRACS | |
| Automatic Reject Options | Pusher, Dual Air Blast | |



Direction of Flow - Right to Left



An ITW Company

www.loma.com

Tel: +44 (0)1252 893300 (UK) | +1-800-872-LOMA (North America)

Metal Detection | Checkweighing | X-Ray Inspection

In association with



Loma Systems is a registered trademark of Illinois Tool Works Inc. (ITW). Other names, logos, icons and marks identifying our products and services referenced herein are trademarks of ITW and may not be used without the prior written permission of ITW. Other product and company names listed are trademarks or trade names of their respective companies. Copyright © 2021 Illinois Tool Works Inc. All rights reserved. All of the specifications shown in this document are subject to change without notice.

CW3RWCbV2_893202101