



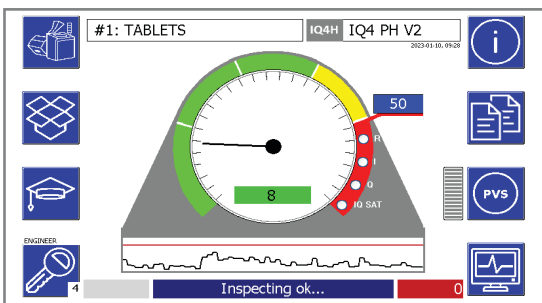
IQ4 LOCK-PH Pharmaceutical - Metal Detection

Designed for the Pharmaceutical Industry

Metal Detection

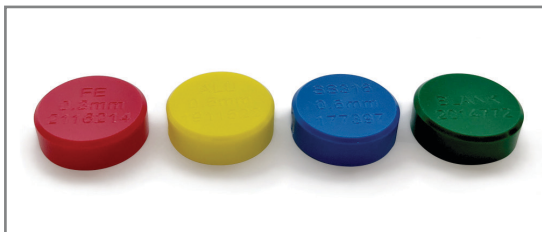
Product Highlights

- Designed for inspecting tablets and capsules after the tablet press and de-duster process
- Throughput up to 30,000 tablets / capsules per minute
- Best in class calibrated detection levels from 0.25mm Fe, 0.3mm NFe, 0.4 mm St/St (optimum performance) on 95 x 38mm aperture
- Gas strut stand frame offering exceptional manoeuvrability making it convenient for use with all leading tablet presses and encapsulation machines
- Four alpha numerical password protected security levels are provided for Operators, Supervisors, Engineering and Administration, with unique individual access controls and user specific languages
- Full IQ, OQ, PQ validation documents and certification
- Design and construction compliant to NEMA 4X / IP66



7" Touchscreen with Easy to Use Interface

The new large standard 7" colour touchscreen ensure simplicity of operation and setting up of products and changeovers can be achieved effortlessly.



Performance Validation System to Maintain Quality Assurance Controls

To assist in maintaining quality assurance controls the Lock-PH includes a Performance Validation System. This can be setup to automatically prompt the operator to perform quality assurance checks on a regular basis.



Auto Learn Provides Simple and Fast Setup

The IQ4 LOCK-PH will automatically setup and store 200 different presets, calibrating for product environment or effect as product passes through the metal detector.



GMP
Compliant

Easy to Clean and Maintain

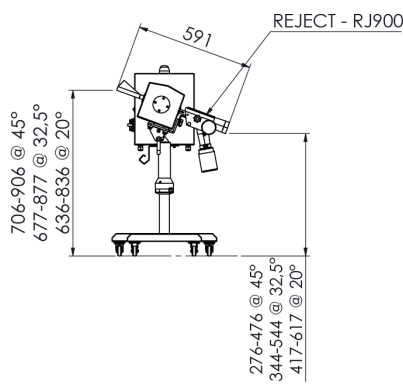
The IQ4 LOCK-PH is fully GMP compliant and is made with a mirror polished finish with no dust traps.

Technical Specification

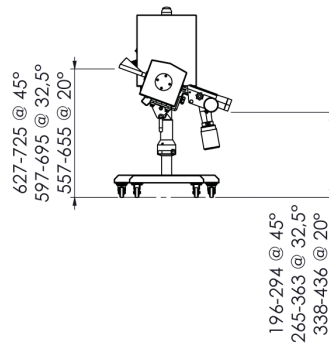
| | |
|--------------------------|---|
| Material of Construction | 304 polished Stainless Steel with 316 mirror polished Stainless Steel reject and all parts are FDA, EU approved and certificated. |
| Single Frequency | 1MHZ - and staggered frequency option for multiple machines |
| Detection Levels | 95 x 22mm Aperture: 0.22mm FE, 0.28mm NFE, 0.35mm St/St 95 x 38mm Aperture: 0.25mm Fe, 0.3mm NFe, 0.4 mm St/St |
| Supply Voltages | 100 - 240 VAC, 50/60Hz, 1 Phase, Neutral and Earth |
| Power Consumption | 1.3 A |
| Temperature Range | Storage temperature: -5 to +40°C Operating temperature: 0 to +30°C |
| Humidity | 0 to 95% Relative Humidity (Non-condensing) |
| Environment | IP66 |
| PVS Enabled | Yes |
| Ethernet Capability | Yes |
| USB Capability | Yes |

IQ4 LOCK-PH SYSTEM 95x22 HEAD APERTURE

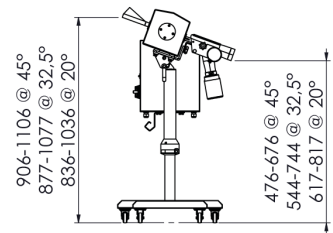
Standard Line



Low Line

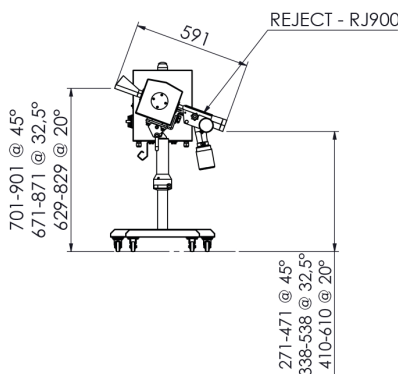


High Line

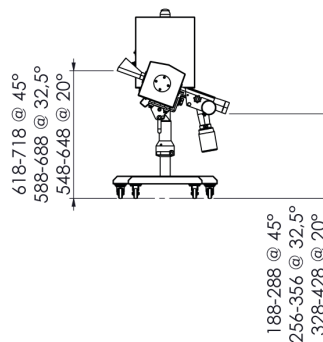


IQ4 LOCK-PH SYSTEM 95x38 HEAD APERTURE

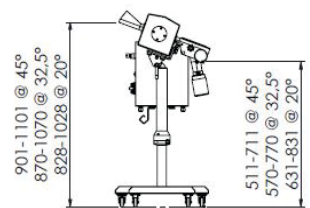
Standard Line



Low Line



High Line



Automatic Reject Options

The IQ4 LOCK-PH Pharmaceutical can be supplied as standard with either a 316 stainless lift flap or diverter reject with square or round outlet. WIP dust tight for de-duster applications are also available.



An ITW Company

www.loma.com

Tel: +44(0)1252 893300 (UK) | +1-800-872-LOMA (North America)

Metal Detection | Checkweighing | X-Ray Inspection

In association with



Loma Systems is a registered trademark of Illinois Tool Works Inc. (ITW). Other names, logos, icons and marks identifying our products and services referenced herein are trademarks of ITW and may not be used without the prior written permission of ITW. Other product and company names listed are trademarks or trade names of their respective companies. Copyright © 2022 Illinois Tool Works Inc. All rights reserved. All of the specifications shown in this document are subject to change without notice.

LPHv7_893202303