

**METTLER TOLEDO**



# Table of Contents

<b>1</b>	<b>Introduction</b>	<b>5</b>
1.1	Document purpose .....	5
1.2	Further documents and information .....	5
1.3	Explanation of conventions and symbols used .....	5
1.4	Acronyms and abbreviations .....	6
1.5	Product range .....	6
1.5.1	MA analytical balances .....	6
1.5.2	MA precision balances, small .....	7
1.5.3	MA precision balances, large .....	7
1.5.4	MA precision balances, compact .....	8
<b>2</b>	<b>Safety Information</b>	<b>9</b>
2.1	Definition of signal words and warning symbols .....	9
2.2	Product-specific safety notes .....	9
<b>3</b>	<b>Design and Function</b>	<b>11</b>
3.1	Overview analytical balances .....	11
3.2	Overview precision balances, small .....	11
3.3	Overview precision balances, large .....	12
3.4	Overview precision balances, compact .....	12
3.5	Overview terminal .....	13
3.6	Overview interface connections .....	14
3.7	Components description .....	14
3.7.1	Draft shield .....	14
3.7.2	Weighing pan .....	14
3.7.3	Drip tray .....	15
3.7.4	Door handle .....	15
3.7.5	Leveling feet .....	15
3.7.6	Terminal .....	15
3.7.7	QuickLock for doors and front panel .....	16
3.7.8	Release button for back panel .....	16
3.8	Overview type label .....	16
3.9	User interface .....	17
3.9.1	Main sections at a glance .....	17
3.9.2	Main weighing screen .....	18
<b>4</b>	<b>Installation and Putting into Operation</b>	<b>21</b>
4.1	Selecting the location .....	21
4.2	Unpacking the balance .....	21
4.3	Installation .....	22
4.3.1	Balances with draft shield .....	22
4.3.2	Balances without draft shield .....	25
4.3.3	Balances, large .....	25
4.3.4	Balances, compact .....	25
4.4	Putting into operation .....	26
4.4.1	Connecting the balance .....	26
4.4.2	Switching on the balance .....	26
4.4.3	Leveling the balance .....	26
4.4.3.1	Leveling large balances .....	27
4.4.3.2	Leveling compact balances .....	27
4.4.3.3	Leveling all other balances .....	28
4.4.4	Performing an internal adjustment .....	28
4.4.5	Entering / Exiting standby mode .....	28
4.4.6	Switching off the balance .....	29
4.5	Performing a simple weighing .....	29

4.5.1	Opening and closing draft shield doors .....	29
4.5.2	Zeroing the balance.....	29
4.5.3	Taring the balance .....	30
4.5.4	Performing a weighing .....	30
4.6	Using batteries (compact balance).....	30
4.6.1	Inserting or replacing batteries.....	30
4.7	Transporting, packing, and storing.....	31
4.7.1	Transporting the balance over short distances.....	31
4.7.2	Transporting the balance over long distances.....	31
4.7.3	Packing and storing .....	32
4.8	Weighing below the balance.....	32
<b>5</b>	<b>Operation</b> .....	<b>33</b>
5.1	Weighing applications .....	33
5.1.1	Weighing applications overview .....	33
5.1.2	Application "Weighing" .....	33
5.1.3	Application "Piece Counting" .....	34
5.1.4	Application "Percent weighing" .....	35
5.1.5	Application "Formulation".....	37
5.1.6	Application "Dynamic Weighing" .....	38
5.1.7	Application "Density" .....	39
5.1.7.1	Determining the density of solids .....	39
5.1.7.2	Formulas used to calculate density .....	40
5.1.8	Application "Check weighing" .....	41
5.1.9	Application "Factor weighing" .....	43
5.1.10	Application "Statistics" .....	44
5.1.11	Application "Totaling" .....	45
5.2	Using a sample ID.....	45
5.3	Adjustments.....	46
5.4	Services .....	46
5.4.1	PC-Direct function .....	46
5.5	Passcode protection .....	48
5.6	Recall weight.....	48
5.7	Exporting data to a USB storage device.....	49
<b>6</b>	<b>Software Description</b> .....	<b>50</b>
6.1	Menu navigation .....	50
6.2	Menu entries.....	50
6.3	Application settings .....	51
6.3.1	Settings: Weighing .....	51
6.3.2	Settings: Piece Counting .....	52
6.3.3	Settings: Percent Weighing.....	52
6.3.4	Settings: Dynamic Weighing .....	53
6.3.5	Settings: Density .....	53
6.3.6	Settings: Check Weighing .....	53
6.3.7	Settings: Factor weighing .....	54
6.4	Balance settings.....	55
6.5	Balance information .....	60
6.6	Adjustments settings.....	61
<b>7</b>	<b>Maintenance</b> .....	<b>62</b>
7.1	Maintenance tasks .....	62
7.2	Cleaning .....	62
7.2.1	Disassembling for cleaning.....	62
7.2.1.1	Balances with draft shield.....	62
7.2.1.2	Balances without draft shield.....	65
7.2.1.3	Balances, large .....	65
7.2.1.4	Balances, compact .....	66



	7.2.2	Cleaning agents.....	66
	7.2.3	Cleaning the balance.....	67
	7.2.4	Putting into operation after cleaning .....	68
7.3		Service.....	68
7.4		Software update .....	68
	7.4.1	Updating the software.....	68
	7.4.2	Putting into operation after software update.....	69
<b>8</b>	<b>8</b>	<b>Troubleshooting</b>	<b>70</b>
	8.1	Error messages.....	70
	8.2	Error symptoms .....	71
	8.3	Putting into operation after fixing an error .....	73
<b>9</b>	<b>9</b>	<b>Technical Data</b>	<b>74</b>
	9.1	General data.....	74
	9.2	Model-specific data .....	75
	9.2.1	Analytical balances, readability 0.01 mg or 0.1 mg .....	75
	9.2.2	Precision balances, readability 1 mg .....	78
	9.2.3	Precision balances, readability 10 mg or 100 mg .....	80
	9.2.4	Precision balances, large.....	84
	9.2.5	Precision balances, compact .....	85
	9.3	Dimensions.....	87
	9.3.1	MA analytical balances, readability 0.01 mg .....	87
	9.3.2	MA analytical balances, readability 0.1 mg .....	88
	9.3.3	MA precision balances, small, readability 1 mg .....	89
	9.3.4	MA precision balances, small, readability 10 mg / 100 mg .....	90
	9.3.5	MA precision balances, large, readability 100 mg / 1 g .....	91
	9.3.6	MA precision balances, compact, readability 10 mg / 100 mg .....	92
<b>10</b>	<b>10</b>	<b>Accessories and Spare Parts</b>	<b>93</b>
	10.1	Accessories .....	93
	10.2	Spare parts.....	97
	10.2.1	MA analytical balances, readability 0.01 mg .....	97
	10.2.2	MA analytical balances, readability 0.1 mg .....	98
	10.2.3	MA precision balances, small, readability 1 mg .....	99
	10.2.4	MA precision balances, small, readability 10 mg / 100 mg .....	100
	10.2.5	MA precision balances, large, readability 100 mg / 1 g .....	101
	10.2.6	MA precision balances, compact, readability 10 mg / 100 mg .....	102
	10.2.7	AC/DC adapter, universal .....	103
	10.2.8	Packaging .....	104
	10.2.8.1	Balances with draft shield .....	104
	10.2.8.2	Balances without draft shield.....	105
	10.2.8.3	Balances, large .....	105
	10.2.8.4	Balances, compact.....	106
<b>11</b>	<b>11</b>	<b>Disposal</b>	<b>107</b>
<b>12</b>	<b>12</b>	<b>Compliance Information</b>	<b>108</b>
		<b>Index</b>	<b>109</b>



# 1 Introduction

Thank you for choosing a METTLER TOLEDO balance. The balance combines high performance with ease of use.

This document is based on the software version V 1.1.

## EULA

The software in this product is licensed under the METTLER TOLEDO End User License Agreement (EULA) for Software.

When using this product you agree to the terms of the EULA.

▶ [www.mt.com/EULA](http://www.mt.com/EULA)

## 1.1 Document purpose

This Reference Manual provides detailed instructions on how to use the instrument.

## 1.2 Further documents and information

This document is available in other languages online.



▶ [www.mt.com/MA-RM](http://www.mt.com/MA-RM)

Product page:

▶ [www.mt.com/MA-balances](http://www.mt.com/MA-balances)

Instructions for cleaning a balance, "8 Steps to a Clean Balance":

▶ [www.mt.com/lab-cleaning-guide](http://www.mt.com/lab-cleaning-guide)

Search for software:

▶ [www.mt.com/labweighing-software-download](http://www.mt.com/labweighing-software-download)

Search for documents:

▶ [www.mt.com/library](http://www.mt.com/library)

For further questions, please contact your authorized METTLER TOLEDO dealer or service representative.

▶ [www.mt.com/contact](http://www.mt.com/contact)

## 1.3 Explanation of conventions and symbols used

### Conventions and symbols

Key and/or button designations and display texts are shown in graphic or bold text, e.g.,  **Publish**.

 **Note** For useful information about the product.



Refers to an external document.

### Elements of instructions

In this manual, step-by-step instructions are presented as follows. The action steps are numbered and can contain prerequisites, intermediate results and results, as shown in the example. Sequences with less than two steps are not numbered.

- Prerequisites that must be fulfilled before the individual steps can be executed.

1 Step 1

➔ Intermediate result

2 Step 2


➔ Result

## 1.4 Acronyms and abbreviations



Original term	Explanation
AC	Alternating Current
ASTM	American Society for Testing and Materials
DC	Direct Current
EMC	Electromagnetic Compatibility
FCC	Federal Communications Commission
GWP	Good Weighing Practice
HID	Human Interaction Device
ID	Identification
IP	Ingress Protection
LAN	Local Area Network
LED	Light-Emitting Diode
LPS	Limited Power Source
MAC	Media Access Control
MT-SICS	METTLER TOLEDO Standard Interface Command Set
NA	Not Applicable
OIML	Organisation Internationale de Métrologie Légale (International Organization of Legal Metrology)
RAM	Random Access Memory
RM	Reference Manual
SOP	Standard Operating Procedure
UM	User Manual
USB	Universal Serial Bus
USP	United States Pharmacopeia

## 1.5 Product range


### 1.5.1 MA analytical balances

Balance	Models designation
	Readability: <b>0.01 mg</b> <ul style="list-style-type: none"><li>• MA55</li><li>• MA95</li><li>• MA155DU</li></ul>
	Readability: <b>0.1 mg</b> <ul style="list-style-type: none"><li>• MA54</li><li>• MA54E</li><li>• MA104</li><li>• MA104E</li><li>• MA204</li><li>• MA204E</li></ul>


### 1.5.2 MA precision balances, small

Balance	Models designation
	Readability: <b>1 mg</b> <ul style="list-style-type: none"> <li>• MA103</li> <li>• MA103E</li> <li>• MA203</li> <li>• MA203E</li> <li>• MA303</li> <li>• MA303E</li> <li>• MA503</li> <li>• MA503E</li> </ul>
	Readability: <b>10 mg</b> <ul style="list-style-type: none"> <li>• MA602</li> <li>• MA602E</li> <li>• MA1002</li> <li>• MA1002E</li> <li>• MA2002</li> <li>• MA2002E</li> <li>• MA3002</li> <li>• MA3002E</li> <li>• MA4002</li> <li>• MA4002E</li> <li>• MA6002</li> <li>• MA6002E</li> </ul>
	Readability: <b>100 mg</b> <ul style="list-style-type: none"> <li>• MA5001</li> <li>• MA5001E</li> </ul>

### 1.5.3 MA precision balances, large

Balance	Models designation
	Readability: <b>100 mg</b> <ul style="list-style-type: none"> <li>• MA12001L</li> <li>• MA16001L</li> <li>• MA32001L</li> </ul>
	Readability: <b>1 g</b> <ul style="list-style-type: none"> <li>• MA32000L</li> </ul>

### 1.5.4 MA precision balances, compact

Balance	Models designation
	Readability: <b>10 mg</b> <ul style="list-style-type: none"><li>• MA602P</li><li>• MA602PE</li><li>• MA2002P</li><li>• MA2002PE</li></ul>
	Readability: <b>100 mg</b> <ul style="list-style-type: none"><li>• MA6001P</li><li>• MA6001PE</li></ul>

## 2 Safety Information

Two documents named "User Manual" and "Reference Manual" are available for this instrument.

- The User Manual is available online in various languages.
- A printed version of the User Manual is delivered with the instrument.
- The Reference Manual is available online. This manual contains a full description of the instrument and its use.
- Keep both documents for future reference.
- Include both documents if you transfer the instrument to other parties.

Only use the instrument according to the User Manual and the Reference Manual. If you do not use the instrument according to these documents or if the instrument is modified, the safety of the instrument may be impaired and Mettler-Toledo GmbH assumes no liability.

### 2.1 Definition of signal words and warning symbols

Safety notes contain important information on safety issues. Ignoring the safety notes may lead to personal injury, damage to the instrument, malfunctions and false results. Safety notes are marked with the following signal words and warning symbols:

#### Signal words

<b>DANGER</b>	A hazardous situation with high risk, resulting in death or severe injury if not avoided.
<b>WARNING</b>	A hazardous situation with medium risk, possibly resulting in death or severe injury if not avoided.
<b>CAUTION</b>	A hazardous situation with low risk, resulting in minor or moderate injury if not avoided.
<b>NOTICE</b>	A hazardous situation with low risk, resulting in damage to the instrument, other material damage, malfunctions and erroneous results, or loss of data.

#### Warning symbols



General hazard



Notice

### 2.2 Product-specific safety notes

#### Intended use

This instrument is designed to be used by trained staff. The instrument is intended for weighing purposes.

Any other type of use and operation beyond the limits of use stated by Mettler-Toledo GmbH without consent from Mettler-Toledo GmbH is considered as not intended.

#### Responsibilities of the instrument owner

The instrument owner is the person holding the legal title to the instrument and who uses the instrument or authorizes any person to use it, or the person who is deemed by law to be the operator of the instrument. The instrument owner is responsible for the safety of all users of the instrument and third parties.

Mettler-Toledo GmbH assumes that the instrument owner trains users to safely use the instrument in their workplace and deal with potential hazards. Mettler-Toledo GmbH assumes that the instrument owner provides the necessary protective gear.

## Safety notes



### **WARNING**

#### **Death or serious injury due to electric shock**

Contact with parts that carry a live current can lead to death or injury.

- 1 Only use the METTLER TOLEDO power cable and AC/DC adapter designed for your instrument.
- 2 Connect the power cable to a grounded power outlet.
- 3 Keep all electrical cables and connections away from liquids and moisture.
- 4 Check the cables and the power plug for damage and replace them if damaged.



### **NOTICE**

#### **Damage to the instrument or malfunction due to the use of unsuitable parts**

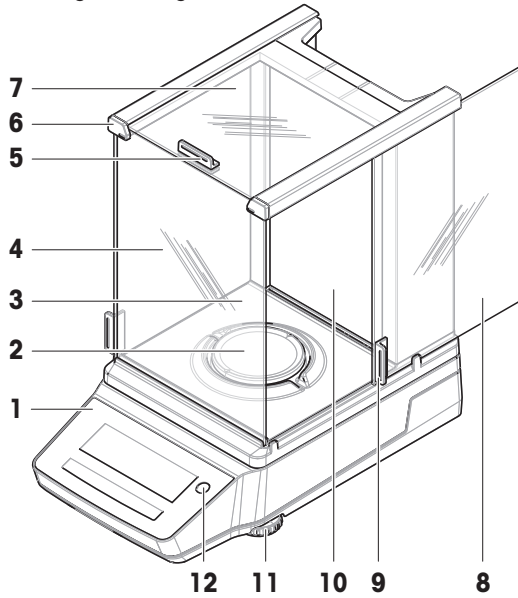
- Only use parts from METTLER TOLEDO that are intended to be used with your instrument.



### 3 Design and Function

#### 3.1 Overview analytical balances

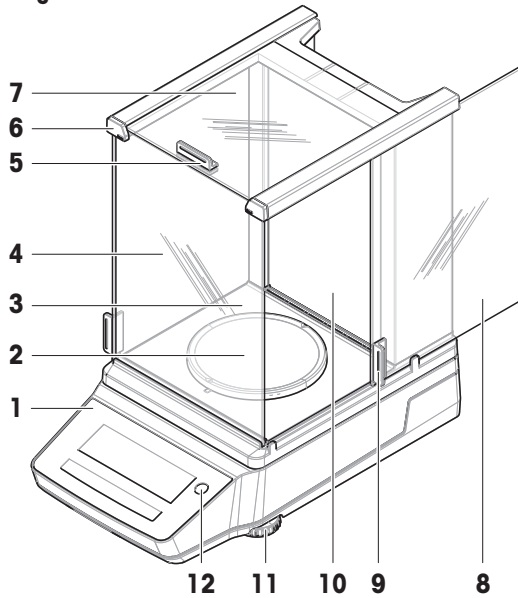
0.01 mg / 0.1 mg



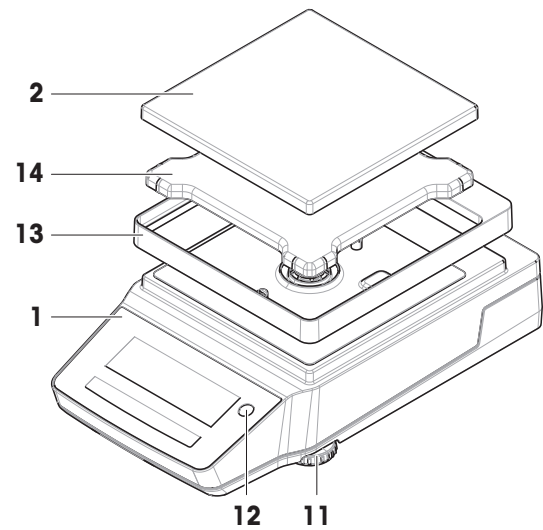
<b>1</b>	Terminal	<b>7</b>	Top door, draft shield
<b>2</b>	Weighing pan	<b>8</b>	Side door, draft shield (right/left)
<b>3</b>	Drip tray	<b>9</b>	Handle, side door
<b>4</b>	Front panel, draft shield	<b>10</b>	Back panel, draft shield
<b>5</b>	Handle, top door	<b>11</b>	Leveling feet
<b>6</b>	QuickLock, front panel	<b>12</b>	Level indicator

#### 3.2 Overview precision balances, small

1 mg



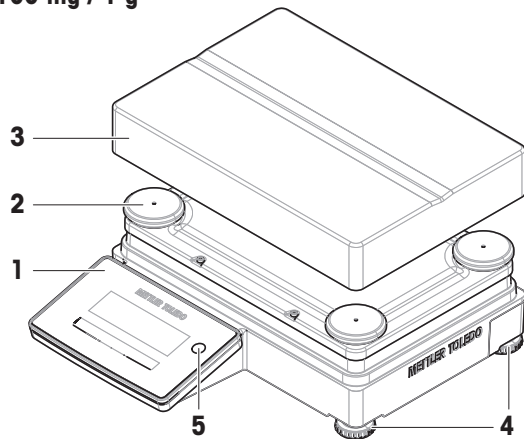
10 mg / 100 mg



<b>1</b>	Terminal	<b>8</b>	Side door, draft shield (right/left)
<b>2</b>	Weighing pan	<b>9</b>	Handle, side door
<b>3</b>	Drip tray	<b>10</b>	Back panel, draft shield
<b>4</b>	Front panel, draft shield	<b>11</b>	Leveling feet
<b>5</b>	Handle, top door	<b>12</b>	Level indicator
<b>6</b>	QuickLock, front panel	<b>13</b>	Draft-protection element
<b>7</b>	Top door, draft shield	<b>14</b>	Weighing pan support

### 3.3 Overview precision balances, large

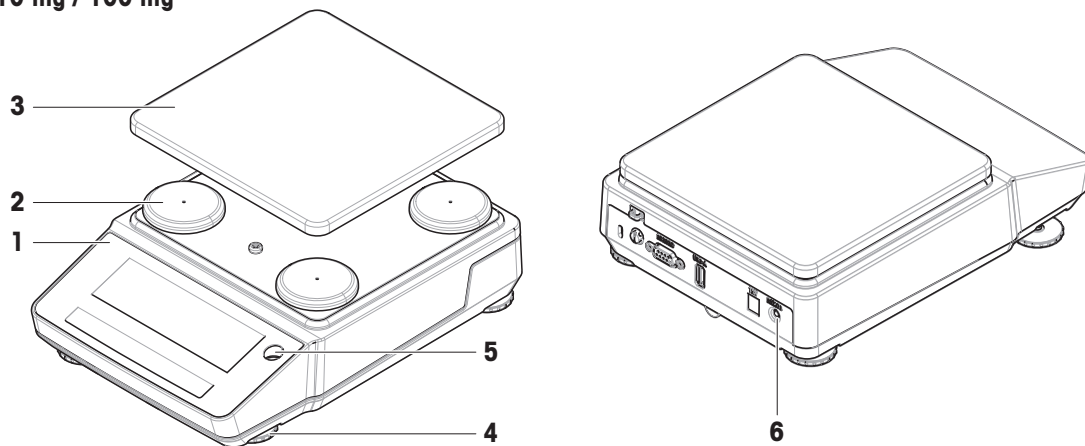
100 mg / 1 g



<b>1</b>	Terminal	<b>4</b>	Leveling feet
<b>2</b>	Weighing pan support cap	<b>5</b>	Level indicator
<b>3</b>	Weighing pan		

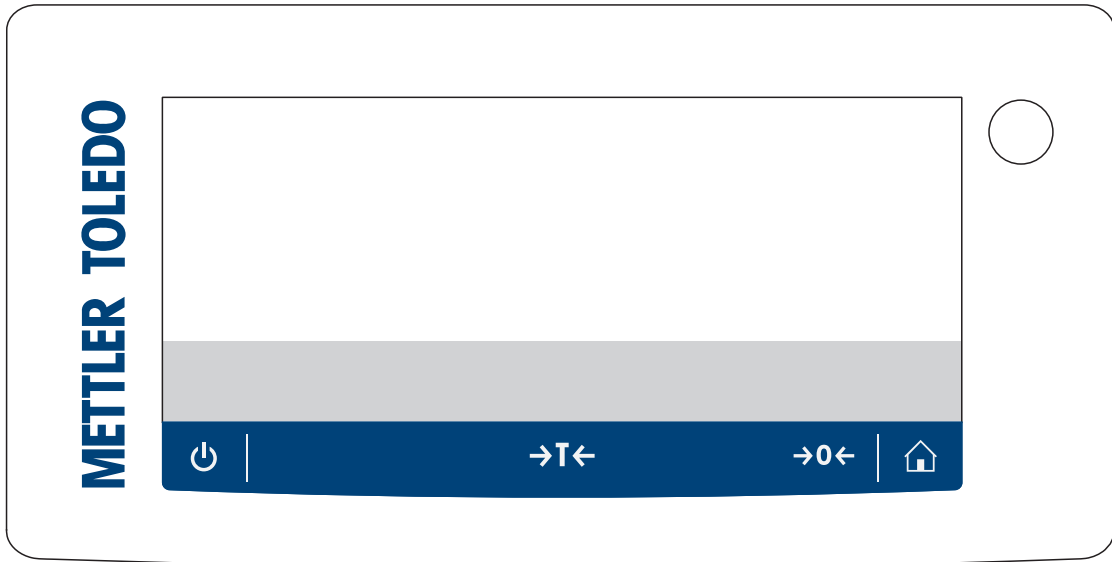
### 3.4 Overview precision balances, compact









10 mg / 100 mg



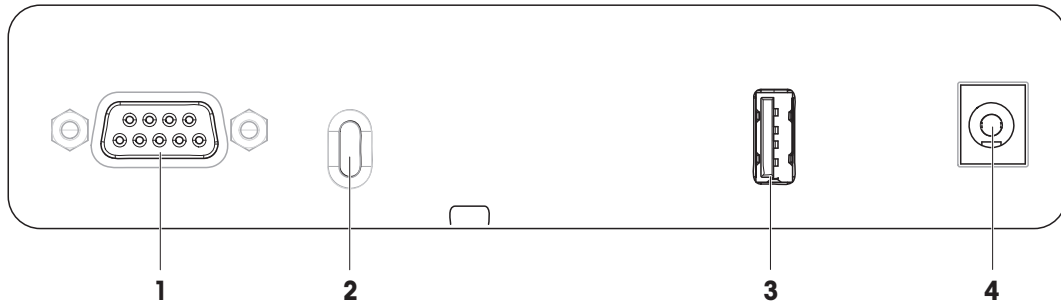
<b>1</b>	Terminal	<b>4</b>	Leveling feet
<b>2</b>	Weighing pan support cap	<b>5</b>	Level indicator
<b>3</b>	Weighing pan	<b>6</b>	Wake-up switch (battery mode)

### 3.5 Overview terminal



	Name	Description
	Standby	<p>By tapping , the balance is not completely switched off but goes into standby mode. To switch the balance completely off, it must be unplugged from the power supply.</p> <p> <b>Note</b> Do not disconnect the balance from the power supply unless the balance is not used for an extended period of time. After switching on the instrument, it must warm up before giving accurate results.</p> <p> <b>Note</b> Compact balances in battery mode only: By tapping , the balance is completely switched off. There is no standby mode.</p>
	Tare	<p>Tares the balance.</p> <p>This function is used when the weighing process involves containers. After taring the balance, the screen shows <i>Net</i> which indicates that all displayed weights are net.</p>
	Zero	<p>Zeroes the balance.</p> <p>The balance must always be zeroed before starting the weighing process. After zeroing, the balance sets a new zero point.</p>
	Home	To return from any settings menu level to the main weighing screen of the currently set or last used application.

## 3.6 Overview interface connections

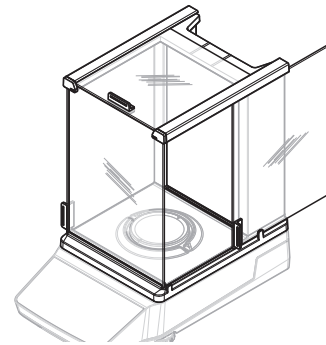


<b>1</b>	RS232C serial interface	<b>3</b>	USB-A port
<b>2</b>	Slot for anti-theft cable	<b>4</b>	Socket for AC/DC adapter

## 3.7 Components description

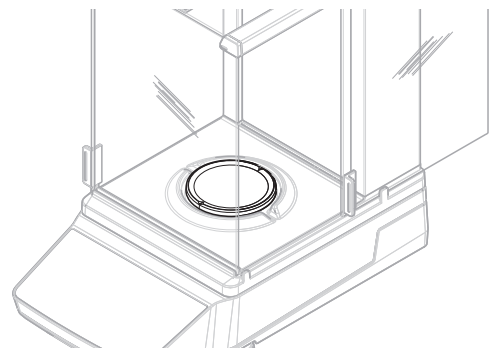
### 3.7.1 Draft shield

The draft shield protects the weighing area against environmental impacts like drafts or moisture. The side doors and the top door can be opened manually.



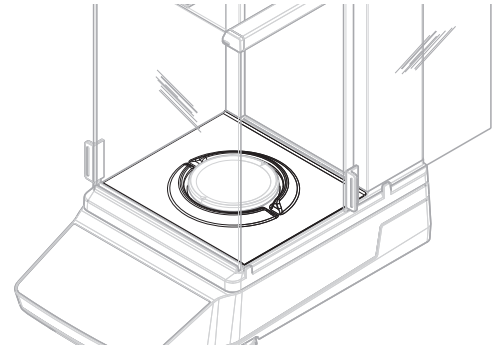
### 3.7.2 Weighing pan

The weighing pan is the load receptor that serves to accommodate the weighing item.



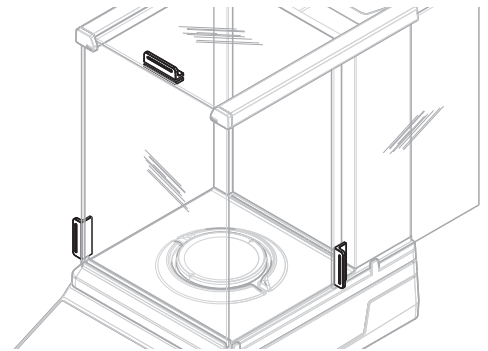
### 3.7.3 Drip tray

The drip tray is positioned below the weighing pan. The primary purpose of the drip tray is to ensure quick cleaning of the balance.



### 3.7.4 Door handle

The door handles are mounted on the draft shield doors. The handles are used to manually open the side doors and the top door of the draft shield.

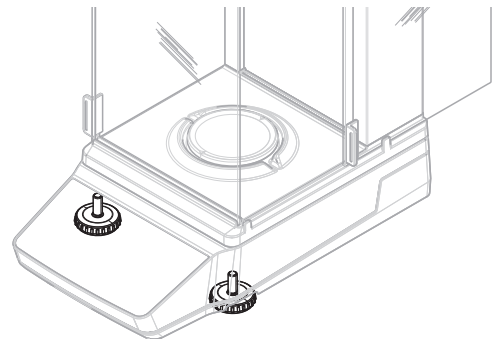


### 3.7.5 Leveling feet

The balance stands on height-adjustable feet. These feet are used to level the balance.

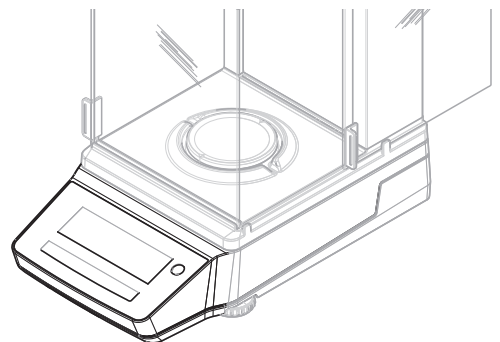
**Note**

Large balances and compact balances have four leveling feet.



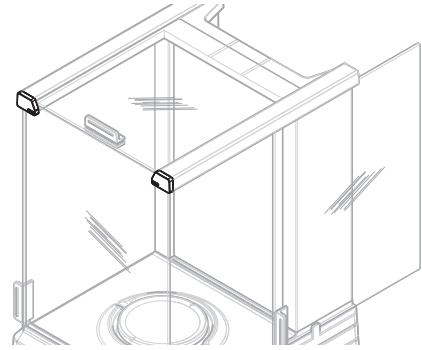
### 3.7.6 Terminal

The terminal is integrated into the balance and has an LCD display. The terminal and the weighing platform are protected by a replaceable cover.



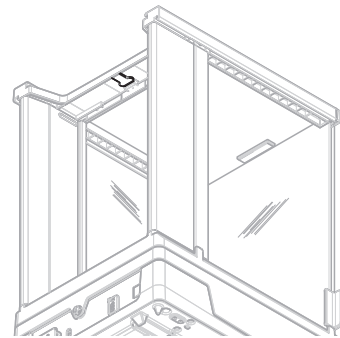
### 3.7.7 QuickLock for doors and front panel

Depending on the position, the QuickLock is used to lock/unlock the top door, the side doors, and the front panel of the draft shield.



### 3.7.8 Release button for back panel

The release button is used to lock/unlock the back panel of the draft shield.



## 3.8 Overview type label

The information on the type label helps to identify the balance.



1	Balance model	5	Manufacturer
2	Year of manufacture	6	Balance serial number
3	Maximum capacity	7	Power consumption
4	Readability		

## 3.9 User interface









### 3.9.1 Main sections at a glance

The main weighing screen (1) displays weighing results and provides feedback on the status of the balance. The operation keys (2) are the main navigation element where all the menus and settings can be accessed and selected.



	Name	Description
1	Main weighing screen	Displays the weighing results and provides information on the status of the balance.
2	Operation keys	Provides access to balance menus and functions.

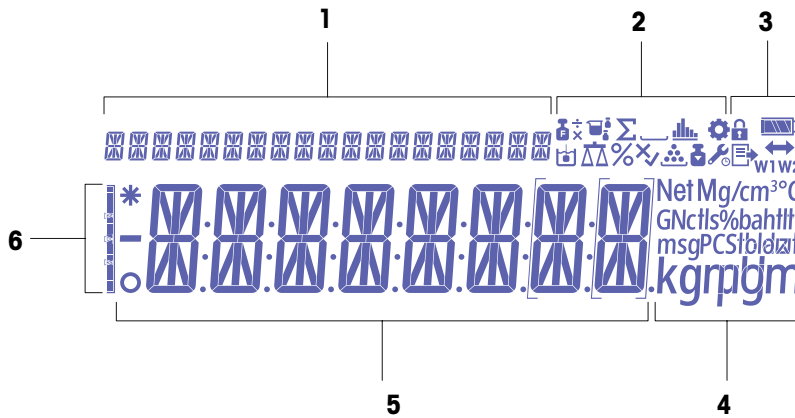
#### Operation keys

	Name	Description
	Settings	Accesses the settings menu.
	Applications	Accesses the applications menu.
	Previous / Up / Increase	<ul style="list-style-type: none"> <li>• Scrolls up in a list of topics.</li> <li>• Changes between unit 1, unit 2, and the application unit (if available).</li> <li>• Increases numbers.</li> <li>• Adds a captured weight within an application.</li> </ul>
	Next / Down / Decrease	<ul style="list-style-type: none"> <li>• Scrolls down in a list of topics.</li> <li>• Changes between unit 1, unit 2, and the application unit (if available).</li> <li>• Decreases numbers.</li> </ul>
	Cancel	<ul style="list-style-type: none"> <li>• Cancels a task or leaves the menu without saving.</li> <li>• Discards a sample in a workflow application.</li> </ul>
	Accept	<ul style="list-style-type: none"> <li>• Accesses the selected menu.</li> <li>• Starts the selected application.</li> <li>• Confirms the entry.</li> </ul>
	Adjustment	Executes the predefined adjustment procedure.
	Print / Transfer	<ul style="list-style-type: none"> <li>• Prints the displayed value.</li> <li>• Transfers data to the predefined target location.</li> </ul>

#### See also

[Main weighing screen](#) ▶ Page 18

### 3.9.2 Main weighing screen






<b>1</b>	Coach text	<b>4</b>	Unit icons
<b>2</b>	Application icons	<b>5</b>	Weight value / menu label / parameter label / parameter value
<b>3</b>	Status icons	<b>6</b>	Weighing aid













#### Application icons

	Name	Description
	Application "Weighing"	The application "Weighing" is used for simple weighing tasks.
	Application "Piece counting"	The application "Piece counting" allows you to determine the number of pieces put on the weighing pan.
	Application "Percent weighing"	"Percent weighing" allows a sample weight to be checked as a percentage of a reference target weight
	Application "Formulation"	The application "Formulation" (Net total) has several purposes. <ul style="list-style-type: none"> <li>• Weigh in (add and store) up to 999 individual component weights and display the total. If a printer is connected, the component weights are printed individually and as a total.</li> <li>• Tare and store up to 999 container weights and display the total. If a printer is connected, the tare weights are printed individually and as a total.</li> <li>• Fill up the sum of all component net weight values by adding a further component to a higher value.</li> </ul>
	Application "Dynamic weighing"	The application "Dynamic weighing" allows you to determine the weights of unstable samples or to determine weights under unstable ambient conditions. The balance calculates the weight as the average of a number of weighing operations over a defined time.
	Application "Density"	The application "Density" allows you to determine the density of solid bodies. Determination of the density uses "Archimedes' principle" according to which a body immersed in a fluid undergoes an apparent loss in weight which is equal to the weight of the fluid it displaces.
	Application "Check weighing"	The application "Check weighing" allows you to check the deviation of a sample weight within a tolerance limit to a reference target weight.



	Name	Description
	Application "Factor weighing"	The application "Factor weighing" multiplies a predefined factor by the weight value (in grams) or divides the weight value by a predefined factor. Depending on the method used, one the following equation applies: <ul style="list-style-type: none"> <li>• result = weight / factor</li> <li>• result = weight × factor</li> <li>• result = weight + factor</li> <li>• result = weight – factor</li> </ul> The result is rounded to a predefined number of decimal places.
	Application "Statistics"	The application "Statistics" allows you to generate statistics of a series of weighing values. 1 to 999 values are possible.
	Application "Totaling"	The application "Totaling" allows you to weigh in different samples to add their weight values and to totalize them. 1 to 999 samples are possible.

### Status icons

	Name	Description
	In the menu "Settings"	The Menu settings is open and an entry of this menu can be selected.
	Access protection on	Menu settings are locked and cannot be adapted.
	Adjustments started	The internal or external adjustment of the balance has started.
	Service reminder	<ul style="list-style-type: none"> <li>• Icon is blinking: next service is due.</li> <li>• Icon lights up constantly: service mode is active.</li> </ul>
	Publishing	Data is being published.
	Status of battery charge	Compact balances only: Indicates the level of the battery charge. <ul style="list-style-type: none"> <li>• : Battery full</li> <li>• : Battery 3/4 full</li> <li>• : Battery 1/2 full</li> <li>• : Battery 1/4 full</li> <li>• : Battery discharged</li> </ul>
	Connectivity	Data connection to a USB device.
<b>W1</b>	Weighing range 1	Weighing range 1 is active.
<b>W2</b>	Weighing range 2	Weighing range 2 is active.
<b>Net</b>	Net weight values	"Net" indicates that all weight values displayed are net values.
<b>G</b>	Gross weight values	Gross weight values are displayed.
<b>M</b>	Stored value (Memory)	A stored value from the memory of the balance is displayed.
<b>X</b>	Failed operation	An operation has not been completed successfully.

## Label Icons

	Name	Description
—	Negative value	Indicates that the displayed values are negative.
*	Calculated value	Indicates that the displayed value is calculated.
○	Unstable value	Indicates the displayed value is unstable, meaning that it changes over time.
[ ]	Uncertified digits	Brackets indicate uncertified digits (approved balance models only). <ul style="list-style-type: none"><li>• [ ]: First decimal place.</li><li>• [ ]: First decimal place for dual range balance.</li></ul>

## 4 Installation and Putting into Operation

### 4.1 Selecting the location

A balance is a sensitive precision instrument. The location where it is placed will have a profound effect on the accuracy of the weighing results.

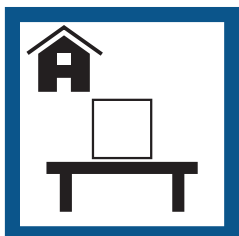
#### Requirements of the location

Place indoors on stable table

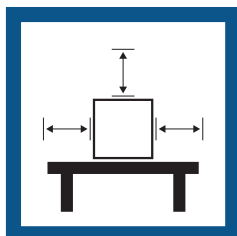
Ensure sufficient spacing

Level the instrument

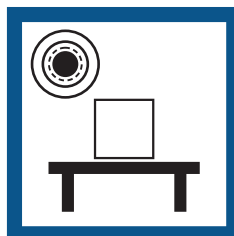
Provide adequate lighting



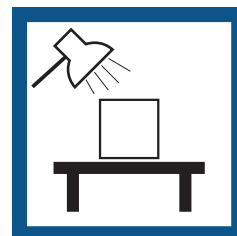
Avoid direct sunlight



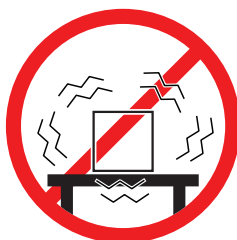
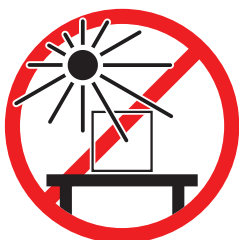
Avoid vibrations



Avoid strong drafts



Avoid temperature fluctuations



Take into account the environmental conditions. See "Technical Data".

Sufficient spacing for balances: > 15 cm all around the instrument

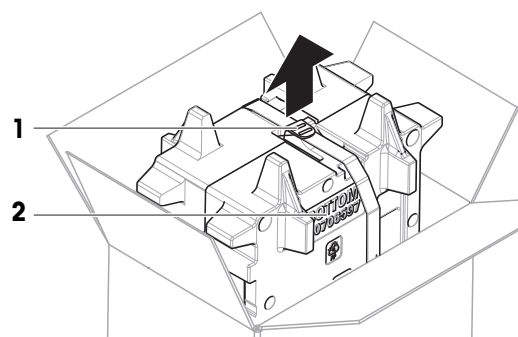
### 4.2 Unpacking the balance

Check the package, the packaging elements and the delivered components for damages. If any components are damaged, please contact your METTLER TOLEDO service representative.

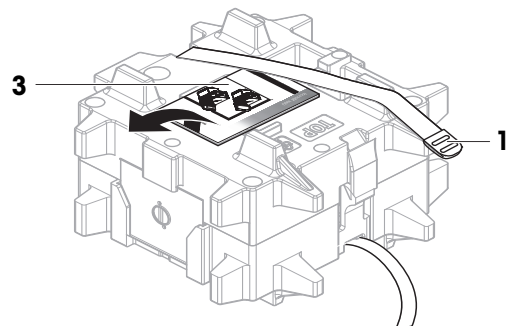
#### **i** Note

Depending on the balance model, the packaging elements and the components may look different.

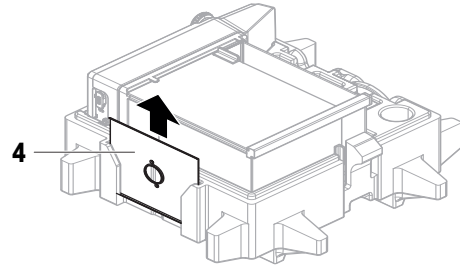
- 1 Open the box and lift the package out using the lifting strap (1).
- 2 Place the package on a level surface with the inscription **BOTTOM** (2) facing downwards.



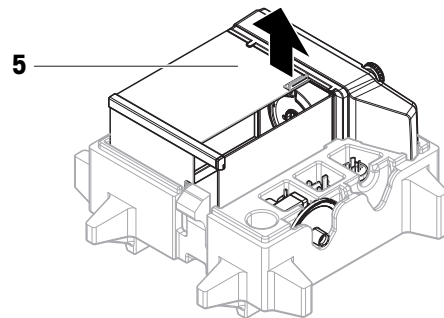
- 3 Open the lifting strap (1) and remove the User Manual (3).



- 4 Remove the upper part of the package and unpack the drip tray (4).



- 5 Carefully unpack the balance (5) and all other items.
- 6 Remove the protective bag.
- 7 Keep the protective cover installed on the weighing platform and on the terminal.
- 8 Store all parts of the packaging in a safe place for future use.
  - ➔ The balance is ready for installation.



## 4.3 Installation

### Note

Depending on the balance model, the components may look different.

### 4.3.1 Balances with draft shield



#### CAUTION

##### **Injury due to sharp objects or broken glass**

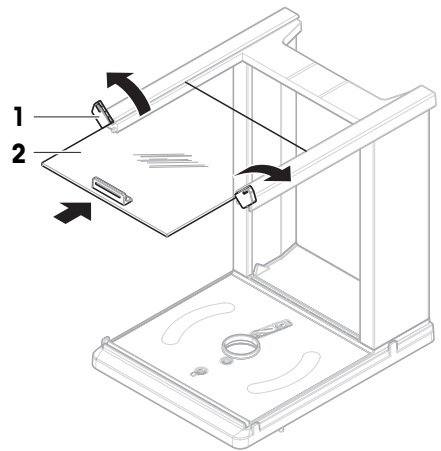
Instrument components, e.g., glass, can break and lead to injuries.

- Always proceed with focus and care.

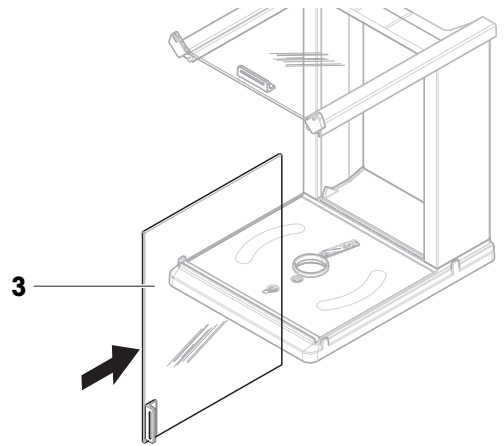
**Note**

Skip steps 1 – 5 when unpacking the balance for the first time, or if the draft shield is already assembled and mounted on the weighing platform.

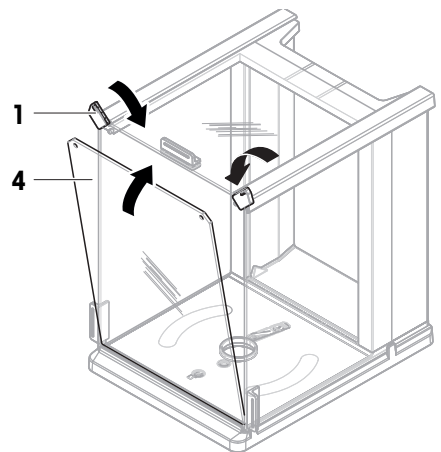
- 1 Assemble the draft shield: Turn the QuickLock (**1**, right, left) and slide in the top door (**2**).



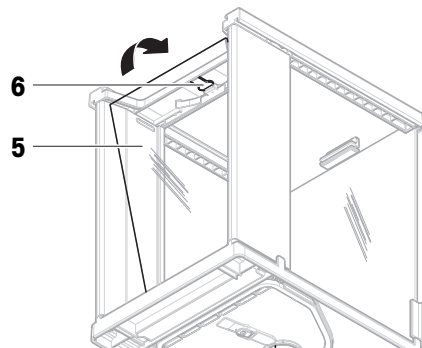
- 2 Slide in the side door (**3**) (right, left).



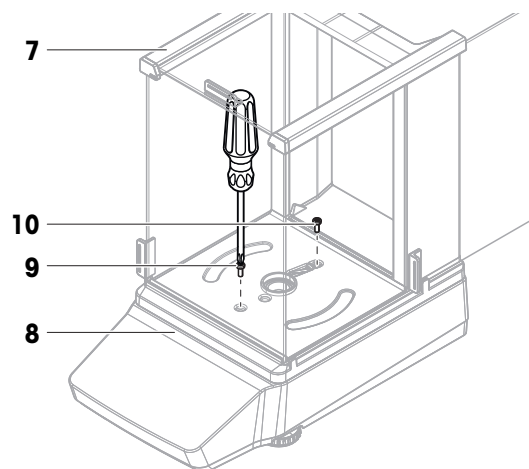
- 3 Attach the front panel (**4**), then turn the QuickLock (**1**, right, left) to hold the panel in place.



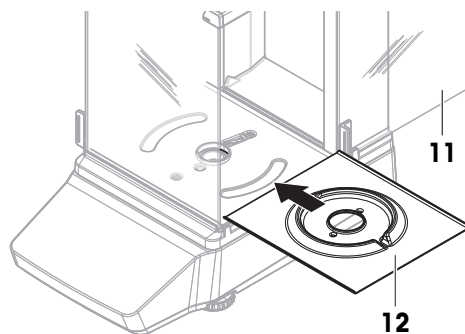
- 4 Attach the back panel (5). Make sure the release button (6) snaps in.



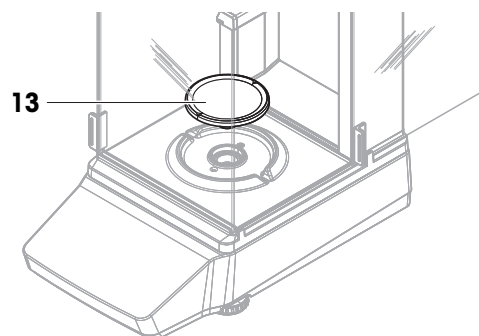
- 5 Secure the draft shield (7) to the weighing platform (8) by fixing the front screw (9) and the rear screw (10) with a Phillips screwdriver.



- 6 Fully open the side door (11)  
7 Insert the drip tray (12).

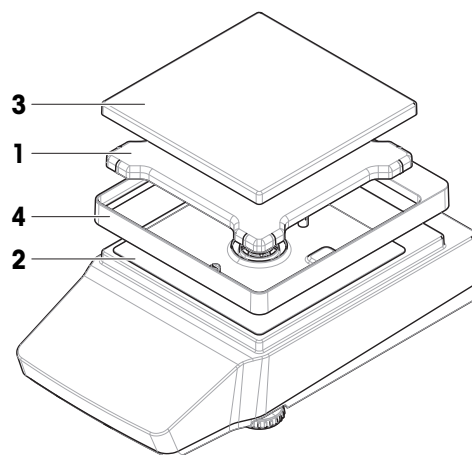


- 8 Install weighing pan (13).  
➔ The balance is ready for use.



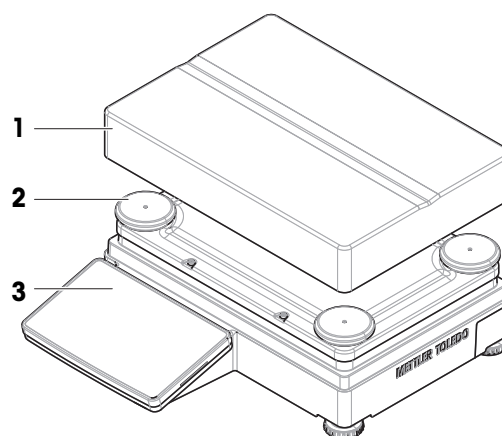
### 4.3.2 Balances without draft shield

- 1 Place the weighing pan support (1) on top of the weighing platform (2).
- Note**  
To protect your balance, keep the protective cover installed on the weighing platform (2).
- 2 Place the weighing pan (3) on top of the weighing pan support (1).
- 3 Place the draft-protection element (4) on top of the weighing platform (2).
  - ➔ The balance is ready for use.



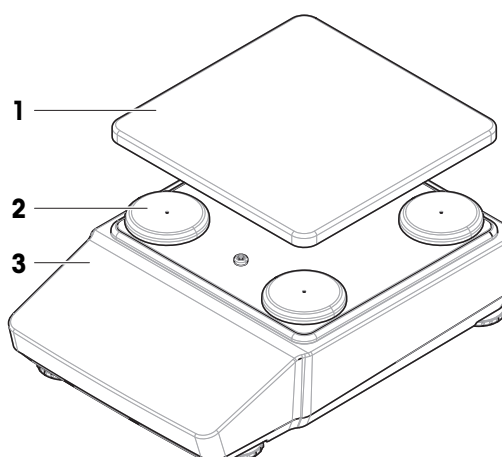
### 4.3.3 Balances, large

- 1 Remove the transport protection from the support caps.
- 2 Place the weighing pan (1) on top of the support caps (2).
- Note**  
To protect your balance, keep the protective cover installed on the terminal (3).
- ➔ The balance is ready for use.



### 4.3.4 Balances, compact

- Place the weighing pan (1) on top of the support caps (2).
- Note**  
To protect your balance, keep the protective cover installed on the weighing platform (3).
- ➔ The balance is ready for use.



## 4.4 Putting into operation

### 4.4.1 Connecting the balance



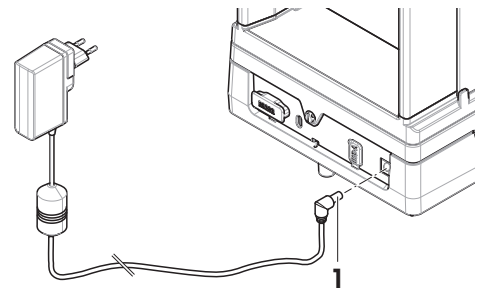
#### **WARNING**

##### **Death or serious injury due to electric shock**

Contact with parts that carry a live current can lead to death or injury.

- 1 Only use the METTLER TOLEDO power cable and AC/DC adapter designed for your instrument.
- 2 Connect the power cable to a grounded power outlet.
- 3 Keep all electrical cables and connections away from liquids and moisture.
- 4 Check the cables and the power plug for damage and replace them if damaged.

- 1 Install the cables in such a way that they cannot be damaged or interfere with operation.
- 2 Insert the plug of the AC/DC adapter (1) into the power socket of the instrument.
- 3 Insert the plug of the power cable into a grounded power outlet that is easily accessible.  
➔ The balance automatically switches on.



#### **Note**

Do not connect the instrument to a power outlet controlled by a switch. After switching on the instrument, it must warm up before giving accurate results.

#### **See also**

[General data](#) ▶ Page 74

### 4.4.2 Switching on the balance

When connected to the power supply, the balance automatically switches on.

#### **Acclimatization and warm up**

Before the balance gives reliable results, it must:

- acclimatize to the room temperature
- warm up by being connected to the power supply

The acclimatization time and warm-up time for balances are available in "General data".

#### **Note**

When the balance is exiting standby, it is ready immediately.

#### **See also**

[General data](#) ▶ Page 74

[Entering / Exiting standby mode](#) ▶ Page 28

[Switching off the balance](#) ▶ Page 29

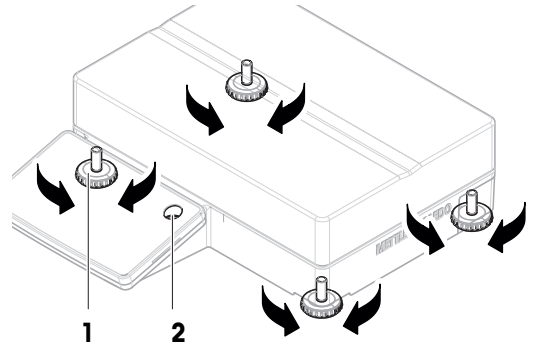
### 4.4.3 Leveling the balance

Exact horizontal and stable positioning are essential for repeatable and accurate weighing results.



#### 4.4.3.1 Leveling large balances

- 1 Screw in all leveling feet fully.
- 2 Screw out all leveling feet two to three turns except for the rear left leveling foot.
- 3 Turn the leveling feet (1) until the air bubble is in the center of the level indicator (2). Proceed as shown in the following example.
- 4 Screw out the rear left leveling foot until it makes contact with the table surface.
  - ➔ The balance is leveled and supported by all four leveling feet.

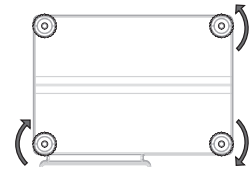


#### Example

Air bubble at 12 o'clock:



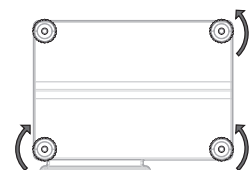
Turn both front feet clockwise.  
Turn rear right foot counterclockwise.



Air bubble at 3 o'clock:



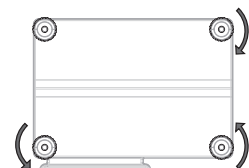
Turn left front foot clockwise, turn right front foot counterclockwise.  
Turn rear right foot counterclockwise.



Air bubble at 6 o'clock:



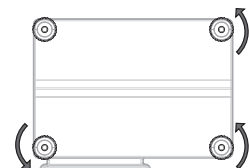
Turn both front feet counterclockwise.  
Turn rear right foot clockwise.



Air bubble at 9 o'clock:

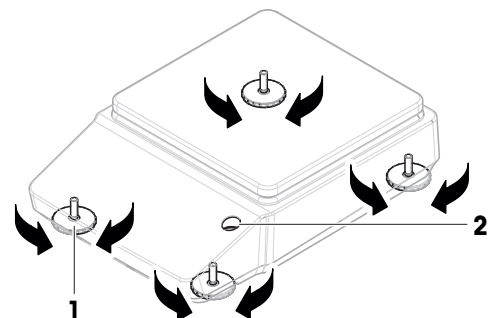


Turn both front feet counterclockwise.  
Turn rear right foot counterclockwise.



#### 4.4.3.2 Leveling compact balances

- 1 Screw in both rear leveling feet fully.
- 2 Screw out both front leveling feet two to three turns.
- 3 Turn the front leveling feet (1) until the air bubble is in the center of the level indicator (2). Proceed as shown in the following example.
- 4 Screw out both rear leveling feet until they make contact with the table surface.
  - ➔ The balance is leveled and supported by all four leveling feet.



### Example

Air bubble at 12 o'clock:



Turn both feet clockwise.



Air bubble at 3 o'clock:



Turn left foot clockwise, turn right foot counterclockwise.



Air bubble at 6 o'clock:



Turn both feet counterclockwise.



Air bubble at 9 o'clock:

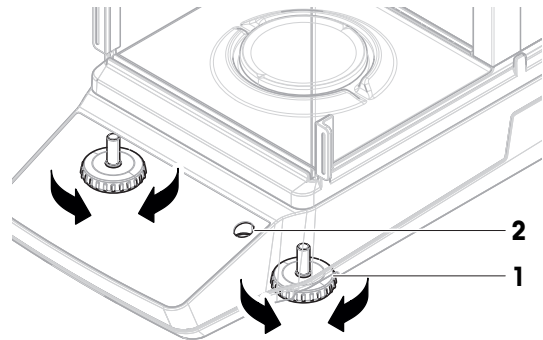


Turn left foot counterclockwise, turn right foot clockwise.



### 4.4.3.3 Leveling all other balances

- Turn the leveling feet (1) until the air bubble is in the center of the level indicator (2).



### Example

Air bubble at 12 o'clock:



Turn both feet clockwise.



Air bubble at 3 o'clock:



Turn left foot clockwise, turn right foot counterclockwise.



Air bubble at 6 o'clock:



Turn both feet counterclockwise.






Air bubble at 9 o'clock:




Turn left foot counterclockwise, turn right foot clockwise.




### 4.4.4 Performing an internal adjustment


- 1 On the main weighing screen, press .  
➔ ADJ.INT appears.
- 2 Press .  
➔ The adjustment is executed.  
➔ The adjustment results appear.
- 3 Press .  
➔ The balance is ready.

### 4.4.5 Entering / Exiting standby mode

- 1 To enter standby mode, press  for less than 2 s.  
➔ The brightness of the display is reduced, information on the display is visible. The balance is still switched on.

- To exit standby mode, press .  
Alternatively, tap the weighing pan, or place a weight on the weighing pan.  
➔ The display is turned on.



#### 4.4.6 Switching off the balance

To completely switch off the balance, it must be disconnected from the power supply. By pressing , the balance goes only into standby mode.

 **Note**

When the balance has been completely switched off for some time, it must warm up before it can be used.

**See also**

-  Switching on the balance ▶ Page 26
-  Entering / Exiting standby mode ▶ Page 28

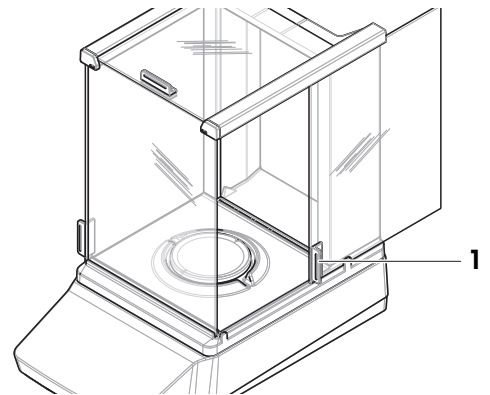
### 4.5 Performing a simple weighing

 **Note**



A balance with draft shield is used to explain the procedure. For balances without a draft shield, skip the instructions steps concerning the draft shield.

#### 4.5.1 Opening and closing draft shield doors

- Open the door manually with the door handle (1).



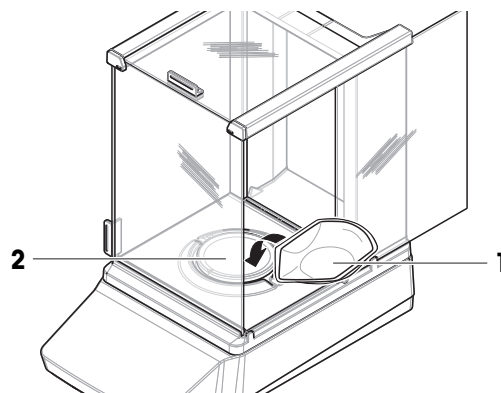
#### 4.5.2 Zeroing the balance

- 1 Open the draft shield.
- 2 Clear the weighing pan.
- 3 Close the draft shield.
- 4 Press  **0**  to zero the balance.  
➔ The balance is zeroed.

### 4.5.3 Taring the balance

If a sample vessel is used, the balance must be tared.

- The balance is zeroed.
- 1 Place the sample vessel (1) on the weighing pan (2).
- 2 Press **→T←** to tare the balance.
  - ➔ The balance is tared. The icon **Net** appears.



### 4.5.4 Performing a weighing

- 1 Open the draft shield.
- 2 Place the weighing object into the sample vessel.
- 3 Close the draft shield.
- 4 Wait until the instability detector **○** disappears.
  - ➔ The result is displayed.
- 5 Optional, if a printer is connected: Press **🖨** to print the weighing result.

## 4.6 Using batteries (compact balance)

The balance can also be operated with batteries. Under normal operating conditions, the balance runs independently of the AC power supply for about 8 to 15 hours (using alkaline batteries).

Immediately after an interruption of the AC power supply, the balance automatically switches to battery operation. This can happen, for example, by pulling the power plug, or in the event of a power failure. After the AC power supply is restored, the balance automatically switches back to AC operation.

The balance uses eight standard AA batteries (LR6). Alkaline batteries are preferred.

Rechargeable batteries can be used. Charging batteries inside the balance is **not** possible.

When the balance is operated with batteries, the battery symbol in the display lights up. The number of segments that are shown in the battery symbol indicate the charge level. When the batteries are almost completely discharged, the battery symbol flashes.

#### See also

[🔗](#) Main weighing screen ▶ Page 18

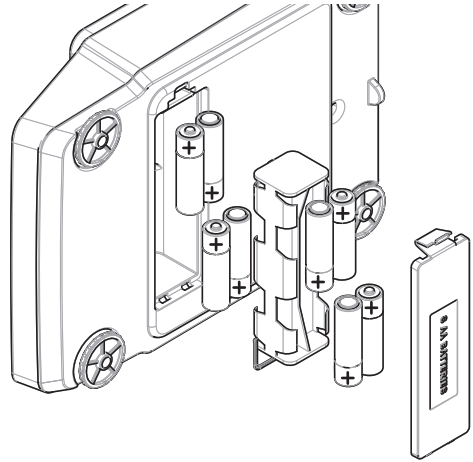
### 4.6.1 Inserting or replacing batteries

- Read and follow all warnings and instructions supplied by the battery manufacturer.
- Do not mix different types or brands of batteries. Performance of batteries varies depending on the manufacturer.
- Remove the batteries from the balance if the balance is not used for a long period of time.
- Batteries must be disposed of properly, according to local regulations.

Proceed as follows:

- The balance is switched off.
- The weighing pan is removed.
- 1 Turn the balance carefully on its side.

- 2 Open and remove the battery-chamber cover.
- 3 Insert / replace the batteries with the correct polarity as shown in the battery holder.
- 4 Insert and close the battery-chamber cover.
- 5 Turn the balance carefully to its normal position.
- 6 Reinstall all components in the reverse order.



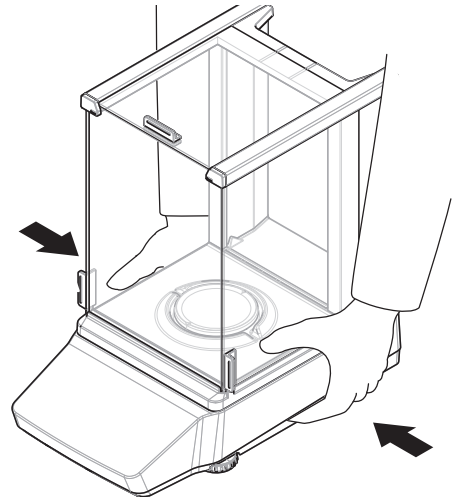
## 4.7 Transporting, packing, and storing

### 4.7.1 Transporting the balance over short distances

- 1 Disconnect the AC/DC adapter and unplug all interface cables.
- 2 Hold the balance with both hands and carry it in horizontal position to the target location. Consider the requirements of the location.

If you want to put the balance into operation, proceed as follows:

- 1 Connect in reverse order.
- 2 Give the balance sufficient time to warm up.
- 3 Level the balance.
- 4 Perform an internal adjustment.



#### See also

- [Selecting the location ▶ Page 21](#)
- [Switching on the balance ▶ Page 26](#)
- [Leveling the balance ▶ Page 26](#)
- [Performing an internal adjustment ▶ Page 28](#)

### 4.7.2 Transporting the balance over long distances

METTLER TOLEDO recommends using the original packaging for transportation or shipment of the balance or balance components over long distances. The elements of the original packaging are developed specifically for the balance and its components and ensure maximum protection during transportation.

#### See also

- [Unpacking the balance ▶ Page 21](#)

### 4.7.3 Packing and storing

#### Packing the balance

Store all parts of packaging in a safe place. The elements of the original packaging are developed specifically for the balance and its components, and ensures maximum protection during transportation and storage.

#### Storing the balance

Only store the balance under the following conditions:

- Indoor and in the original packaging
- According to the environmental conditions, see "Technical Data"

#### Note

When storing for longer than 6 months, the rechargeable battery may become empty (only date and time get lost).

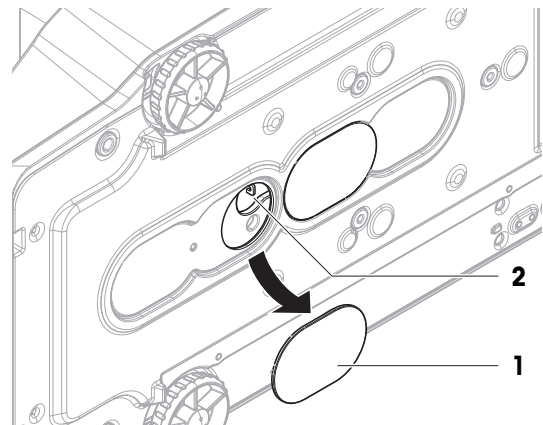
#### See also

 Technical Data ▶ Page 74

### 4.8 Weighing below the balance

Your balance is equipped with a weighing hook for performing weighing operations below the work surface (weighing below the balance).

- A weighing table or workbench is available, through which the weighing hook can be accessed.
  - 1 Disconnect the balance from the AC/DC adapter.
  - 2 Disconnect all interface cables.
  - 3 Carefully tilt the balance to its side.
  - 4 Remove the weighing hook cover (1) that is closer to the front of the balance.
    - ➔ The hook (2) is accessible.
  - 5 Carefully put the balance back on its feet.
  - 6 Reconnect the AC/DC adapter and the interface cables.
    - ➔ The weighing hook is accessible and can be used for below-the-balance weighing.



#### See also

 Dimensions ▶ Page 87





## 5 Operation

### 5.1 Weighing applications







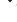



A weighing application serves to carry out specific weighing tasks. The balance offers various weighing applications with default parameters.

#### 5.1.1 Weighing applications overview

This section serves to select a weighing application for a specific weighing procedure.

- 1 Tap  to enter the applications menu.  
➔ CHOOSE APPLICATION is displayed.
- 2 Tap  or  to navigate between different applications.
- 3 Tap  to confirm your selection.









The following weighing applications are available:

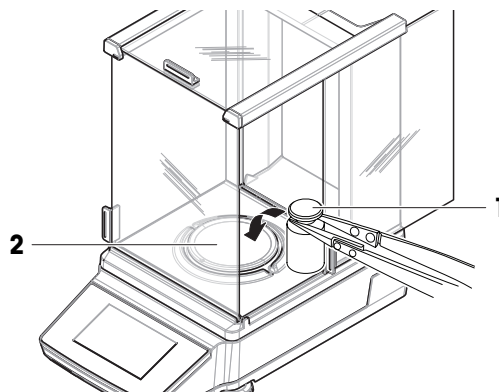
-  "Weighing"
-  "Counting"
-  "Percent weighing"
-  "Formulation"
-  "Dynamic weighing"
-  "Density"
-  "Check weighing"
-  "Factor weighing"
-  "Statistics"
-  "Totaling"

#### 5.1.2 Application "Weighing"

The application WEIGHING offers basic weighing functions. This application is used for simple weighing tasks. The settings of the weighing item, such as target weight and tolerances, can be specified.

##### Example procedure



- 1 Press  to enter the applications menu.  
➔ CHOOSE APPLICATION is displayed.
- 2 Press  or  to select the application WEIGHING.
- 3 Press  to confirm your selection.  
➔ The icon  WEIGHING. is displayed and the corresponding weighing application opens.
- 4 Press  **0**  to zero the balance.
- 5 Open the draft shield door (if applicable).
- 6 Place the weighing object (1) on the weighing pan (2).
- 7 Close the draft shield door (if applicable).
- 8 Wait until the weight stabilizes.  
➔ The result is displayed.
- 9 Optional, depending on the settings: Press  PUBLISH to print or export the weighing result.



### 5.1.3 Application "Piece Counting"

The application "Piece counting" allows you to determine the number of pieces put on the weighing pan.

#### Example procedure


- 1 Press  to enter the applications menu.  
➔ CHOOSE APPLICATION is displayed.
- 2 Press  $\uparrow$  or  $\downarrow$  to select the application COUNTING.
- 3 Press  $\checkmark$  to confirm your selection.  
➔ The icon  PIECE COUNTING is displayed and the corresponding weighing application opens.

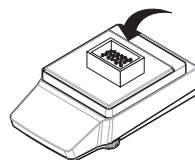
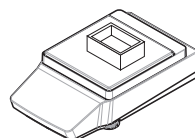
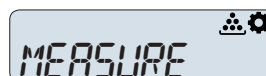
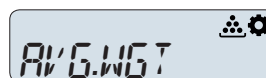
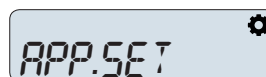
#### Methods for setting reference weight

"Piece counting" first requires the setting of a reference weight, there are 2 possibilities:

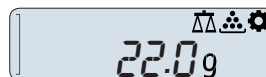
- **A** Setting the reference average weight **by weighing**.
- **B** Setting the reference average weight **by entering manually**.

#### **A** Weighing reference values

- 1 Access APP.SET using  and by pressing  $\checkmark$ .
- 2 Select the entry AVG.WGT using  $\uparrow$  or  $\downarrow$ .
- 3 Press  $\checkmark$  to confirm your selection.
- 4 Select the entry MEASURE using  $\uparrow$  or  $\downarrow$ .
- 5 Press  $\checkmark$  to confirm your selection.
- 6 Adapt the number of reference pieces using  $\uparrow$  or  $\downarrow$ .  
Adapt digit by digit and confirm each digit by pressing  $\checkmark$ .\*.
- 7 Press  $\checkmark$  to confirm your selection.
- 8 Press  $\rightarrow 0 \leftarrow$  to zero the balance. If using: place empty container on the weighing pan and press  $\rightarrow T \leftarrow$  to tare the balance.
- 9 Add the selected number of reference pieces to container.

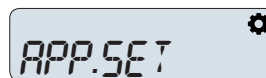


➔ The overall weight of the reference pieces is displayed.

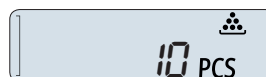


- 10 Press  $\checkmark$  to confirm your selection.  
➔ The reference weight next to the top entry REF= displays the calculated value of a single piece.

11 Return APP.SET by pressing  $\times$ .



12 Press  $\times$  again to enter the weighing screen.



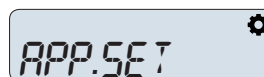
➔ The balance is ready for counting pieces with the determined reference weight.

\* with approved balances in selected countries: min 10.



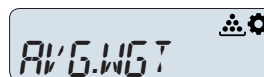
## B Entering reference value manually

1 Access APP.SET using  and by pressing .



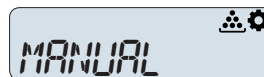
2 Select the entry AVG.WGT using  or .




3 Press  to confirm your selection.

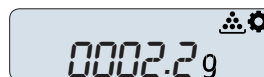


4 Select the entry MANUAL using  or .

5 Confirm your selection by pressing .



6 Enter the reference weight of one piece using  or . Adapt digit by digit and confirm each digit by pressing .



7 Press  to confirm your selection.


➔ The reference weight next to the top entry REF= displays the entered value of a single piece.

8 Return APP.SET by pressing .

9 Press  again to enter the weighing screen.

➔ The balance is ready for counting pieces with the determined reference weight.

### Using piece counting application

1 Zero the balance by pressing . If using: place empty container on the weighing pan and tare the balance by pressing .

2 Open the draft shield door (if applicable).

3 Place the tare container (2) on the weighing pan (1).


4 Tare the balance.

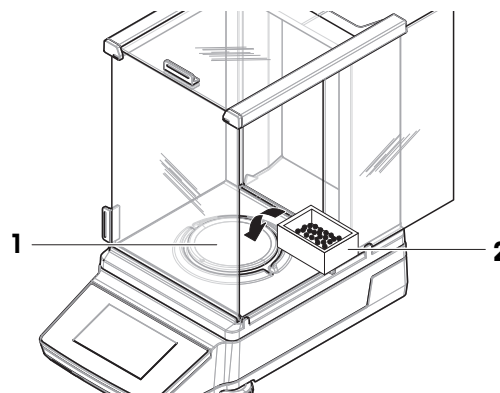
5 Place the pieces to be counted in the container.

6 Close the draft shield door (if applicable).

7 Wait until the weight stabilizes.

➔ The number of pieces is displayed.

8 Optional, depending on the settings: Press  PUBLISH to print or export the weighing result.





## 5.1.4 Application "Percent weighing"

The application "Percent weighing" allows a sample weight to be checked as a percentage of a reference target weight. You can set your reference weight by measuring or by manually entering a value.

### Example procedure

1 Press  to enter the application menu.

➔ The Coach Text CHOOSE APPLICATION is displayed.

2 Press  or  to select the application PERCENT.

3 Press  to confirm your selection.

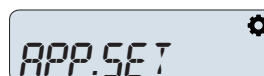
➔ The icon  "Percent weighing" is displayed and the corresponding weighing applications opens.

### Setting a reference weight by measuring

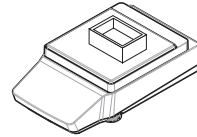
1 Press  to enter the settings menu.

2 Press  or  to select APP.SET.

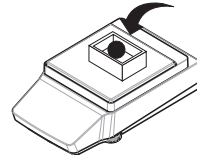
3 Press  to confirm your selection.



- ➔ The Coach Text REF.WGT is displayed. You can now choose to measure or to enter the reference weight.
- 4 Press ✓ to start selecting a method to determine the reference weight.
- 5 Select MEASURE to determine the reference weight by measuring an object.
- 6 Press ✓ to confirm your selection.
  - ➔ The Coach Text PLACE REF. SAMPLE prompts you to place a reference weight on the weighing pan.
- 7 Press →0← to zero the balance. If using: place empty container on the weighing pan and press →T← to tare the balance.



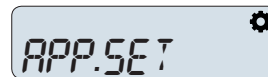
- 8 Place the reference object on the weighing pan.
- 9 Weight until the weighing result is stable.
- 10 Press ✓ to confirm the measured reference weight..
  - ➔ The Coach Text 100%= X G (X = <your reference weight>) is displayed. Setting the reference weight by measuring is complete.



● = 100%

### Entering a reference weight manually

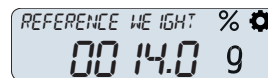
- 1 Press ⚙ to enter the settings menu.
- 2 Press ↑ or ↓ to select APP.SET.
- 3 Press ✓ to confirm your selection.
  - ➔ The Coach Text REF.WGT is displayed. You can now choose to measure or to enter the reference weight.



- 4 Press ✓ to start selecting a method to determine the reference weight.
- 5 Select MANUAL to enter the reference weight manually.
- 6 Press ✓ to confirm your selection.
  - ➔ The Coach Text REFERENCE WEIHTG is displayed. You can now enter the reference weight.



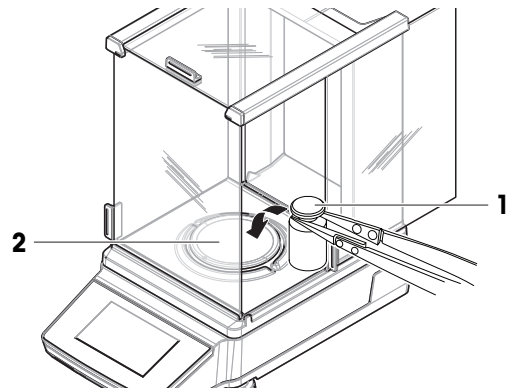
- 7 Adapt the reference weight digit by digit using ↑ or ↓. Confirm your choice for each digit with ✓
- 8 Press ✓ to confirm the entered reference weight..



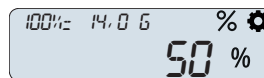
➔ The Coach Text 100%= X G (X = <your reference weight>) is displayed. Entering the reference weight manually is complete.

### Performing a percent weighing

- 1 Press →0← to zero the balance.
- 2 Open the draft shield door (if applicable).
- 3 Place the weighing object (1) on the weighing pan (2).
- 4 Close the draft shield door (if applicable).
- 5 Wait until the weight stabilizes.



- ➔ The coach text indicates the reference weight. The weighing result is displayed in kg.
- 6 Press **↑** or **↓** to display your weighing result as a percentage of the reference weight..
  - ➔ The percent value is displayed.
- 7 Optional, depending on the settings: Press **🖨** PUBLISH to print or export the weighing result.



### 5.1.5 Application "Formulation"

The application "Formulation" allows you to.

- weigh in (add and store) up to 999 individual component weights and display the total. If a printer is connected, the component weights are printed individually and as a total.
- tare and store up to 999 container weights and display the total. If a printer is connected, the tare weights are printed individually and as a total.
- fill up the sum of all component net weight values by adding a further component to a higher value.

#### Performing a formulation

- 1 Tap **☰** to enter the application menu.
  - ➔ The coach text CHOOSE APPLICATION is displayed.
- 2 Tap **↑** or **↓** to select the application FORMULA.
- 3 Tap **✓** to confirm your selection.
  - ➔ The icon **🔖** "Formulation" is displayed and the corresponding weighing applications opens.
- 4 If necessary zero the balance by pressing **→0←**.
- 5 Place your first sample on the weighing pan.
  - ➔ The sample weight is displayed along with the coach text PRESS UP KEY TO ADD.
- 6 Press **↑** to proceed with the second sample.
  - ➔ The first sample weight is saved in the internal memory. After saving the coach text PLACE SAMPLE 2 is displayed.
- 7 Leave the first sample on the weighing pan. Add the second sample onto the weighing pan.
  - ➔ The weight of the second sample is displayed. The corresponding sample number is incremented by one.
- 8 Press **↑** to proceed with the next sample.
  - ➔ The weight is saved and the coach text indicates the next step.
- 9 Repeat placing samples and pressing **↑** for all remaining samples.
- 10 Press **✓** to finish the sample weighing.
- 11 Choose between COMPLETE, PAUSE and RESULT using **↑** or **↓** and confirming with **✓**.
  - ➔ If COMPLETE is selected, the cumulative weight is displayed and transferred to the printer (if connected).
  - ➔ If PAUSE is selected, you can resume the weighing process by pressing **✓**.
  - ➔ If RESULT is selected, NUMBER OF SAMPLES is displayed. You may change to the TOTAL GROSS WEIGHT by pressing **↑** or **↓**

#### **i** Note

Additionally, you have the option to fill up the sample to your target amount by pressing **↓** after the last sample is added. The net total will then be displayed, allowing you to fill up to your desired value.

#### Discarding samples

- 1 Press **✕** to open the menu DISCARD SAMPLES.
- 2 Select LAST using **↑** or **↓** and confirm your selection with **✓** to discard the last sample weighed.
  - ➔ The display text indicates that the sample with a number corresponding to the last sample used has been discarded.
- 3 Select ALL and confirm your selection with **✓** to discard all samples weighed.

- ➔ The coach text prompts you to place the first sample. All samples have been discarded.






## 5.1.6 Application "Dynamic Weighing"

The "Dynamic weighing" application allows you to determine the weights of unstable samples or to determine weights under unstable ambient conditions. The balance calculates the weight as the average of a number of weighing operations over a defined time.









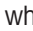
### Using sample identification

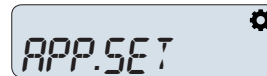
Weighing operations can be linked to a sample identification. You can activate and set up the sample ID in the APP.SET menu ([Using a sample ID ▶ Page 45]).

### Example procedure






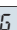



- 1 Press  to enter the applications menu.
- 2 Press  to confirm your selection.
  - ➔ The icon  DYNAMIC WEIGHING is displayed and the corresponding weighing application opens.
  - ➔ CHOOSE APPLICATION is displayed.
- 3 Press  or  to select the application DYNAMIC.

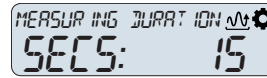
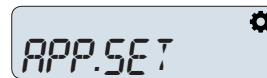
### Setting start mode

- 1 Access APP.SET using  and by pressing .
- 2 Select the entry in the menu item START MODE using  or .
- 3 Press  to confirm your selection.
- 4 Adapt the START MODE to AUTO or MANUAL using  or .
- 5 Confirm your selection by pressing .
  - ➔ In AUTO start mode placing an item on the weighing pan triggers the weighing process. In MANUAL start mode pressing  when the weighing screen is displayed triggers the weighing process.











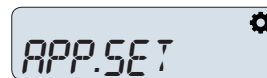
### Setting measuring duration

- 1 Access APP.SET using  and by pressing .
- 2 Select menu item with the coach text MEASURING DURATION using  or .
- 3 Press  to confirm your selection.
- 4 Adapt the measuring duration in s digit by digit using  or .
- 5 Press  to confirm your selection.
  - ➔ The balance is set to manual start mode. Dynamic weighing is being started, by pressing  when the weighing screen is displayed.



### Setting sample taring

- 1 Access APP.SET using  and by pressing .
- 2 Select menu item with the coach text SAMPLE TARE using  or .
- 3 Press  to confirm your selection.
- 4 Adapt the sample tare setting by changing from ON to OFF or vice versa pieces using  or .
- 5 Press  to confirm your selection.
  - ➔ The sample tare has been set. If set to ON, the balance will perform taring after the dynamic weighing procedure has been completed. If set to OFF, no taring is performed.



## Performing a dynamic weighing

- 1 Return to the weighing screen using **X**.
- 2 If using MANUAL start mode: Place your item on the weighing pan and press **✓** to start the weighing process.
- 3 If using AUTO start mode: Place your item on the weighing pan to start the weighing process automatically.
  - ➔ Dynamic weighing is performed for the set measuring duration and on completion, the result is displayed. If sample taring is activated, the balance performs a taring after the item has been removed.

### See also

 Using a sample ID ▶ Page 45



## 5.1.7 Application "Density"

The "Density" application allows you to determine the density of solid bodies. Determination of the density uses **Archimedes' principle** according to which a body immersed in a fluid undergoes an apparent loss in weight which is equal to the weight of the fluid it displaces.

To determine the density of solid bodies, we recommend you to work with the optional density kit which contains all the attachments and aids needed for convenient and precise density determination.

### Note


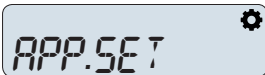
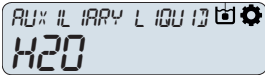

You can also use the weighing hook for weighing below the balance which belongs to your balance.

- 1 Press  to enter the applications menu.
  - ➔ CHOOSE APPLICATION is displayed.
- 2 Press **↑** or **↓** to select the application "DENSITY".
- 3 Press **✓** to confirm your selection.
  - ➔ The icon  is displayed and the corresponding weighing application "DENSITY" opens.


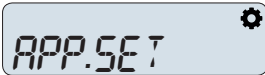
### 5.1.7.1 Determining the density of solids

Determining the density of solids requires selecting an auxiliary liquid. Depending on the selected liquid specific properties have to be entered. Water and auxiliary liquid must have a temperature between 10°C and 30.9°C.

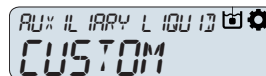
#### If using water

- 1 Press  to access APP.SET and confirm by pressing **✓**.
- 2 Start selecting the auxiliary liquid by pressing **✓**.
- 3 Select H2O by pressing **↑** or **↓**. Press **✓** to confirm your selection.
- 4 Access the TEMPERATURE setting by pressing **↑** or **↓**.
- 5 Enter the temperature setting by pressing **✓**.
- 6 Measure the temperature of the water.
- 7 Adapt the set temperature digit by digit using **↑** or **↓**. Confirm your choice for each digit with **✓**.
  - ➔ After confirming the last digit, the temperature is set.
- 8 Enter the measuring screen by pressing **X** twice.
  - ➔ For water the density will be calculated automatically. The balance is ready for measuring density.

#### If using a freely definable auxiliary liquid

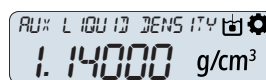
- 1 Press  to access APP.SET and confirm by pressing **✓**.
- 2 Start selecting the auxiliary liquid by pressing **✓**.

3 Select a CUSTOM liquid using ↑ or ↓ and confirm by pressing ✓.



4 Access the density setting using ↑ or ↓.

5 Press ✓ to enter the AUX LIQUID DENSITY setting.



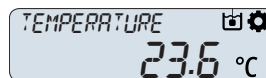
6 Adapt the set density digit by digit using ↑ or ↓. Confirm your choice for each digit with ✓.

➔ After confirming the last digit, the density is set.

7 Enter the TEMPERATURE setting using ↑ or ↓. Confirm your choice with ✓.

8 Measure the temperature of the auxiliary liquid.

9 Adapt the set temperature digit by digit using ↑ or ↓. Confirm your choice for each digit with ✓.



➔ After confirming the last digit, the temperature is set.

10 After entering the temperature press ✕ twice to enter the measuring screen.

➔ The balance is ready for measuring density.

### Performing a density determination

■ PLACE KIT AND START is displayed.

1 Place your density kit as described in the according manual.

2 Press ✓ to start.

➔ The balance performs taring/zeroing. After this, WEIGH IN AIR is displayed.

3 Load the solid.

4 Press ✓ to start measuring.

➔ After weighing in air is complete, WEIGH IN LIQUID is displayed.

5 Load the solid.

➔ After weighing in liquid is complete, RESULT is displayed in g/cm<sup>3</sup>.

### 5.1.7.2 Formulas used to calculate density

The application "Density" is based on the formulae listed below.

#### Formulae for determining the density of solids with compensation for air density

$$\rho = \frac{A}{A-B} (\rho_0 - \rho_L) + \rho_L$$

$$V = \alpha \frac{A - B}{\rho_0 - \rho_L}$$

$\rho$  = Density of the sample

A = Weight of the sample in air

B = Weight of the sample in the auxiliary liquid

V = Volume of the sample

$\rho_0$  = Density of the auxiliary liquid

$\rho_L$  = Density of air (0.0012 g/cm<sup>3</sup>)

$\alpha$  = Weight correction factor (0.99985), to take the atmospheric buoyancy of the adjustment weight into account

#### Density of distilled water

T/°C	0	0.1	0.2	0.3	0.4	0.5	0.6	0.7	0.8	0.9
10	0.99970	0.99969	0.99968	0.99967	0.99966	0.99965	0.99964	0.99963	0.99962	0.99961
11	0.99960	0.99959	0.99958	0.99957	0.99956	0.99955	0.99954	0.99953	0.99952	0.99951
12	0.99950	0.99949	0.99947	0.99946	0.99945	0.99944	0.99943	0.99941	0.99940	0.99939
13	0.99938	0.99936	0.99935	0.99934	0.99933	0.99931	0.99930	0.99929	0.99927	0.99926

T/ °C	0	0.1	0.2	0.3	0.4	0.5	0.6	0.7	0.8	0.9
14	0.99924	0.99923	0.99922	0.99920	0.99919	0.99917	0.99916	0.99914	0.99913	0.99911
15	0.99910	0.99908	0.99907	0.99905	0.99904	0.99902	0.99901	0.99899	0.99897	0.99896
16	0.99894	0.99893	0.99891	0.99889	0.99888	0.99886	0.99884	0.99883	0.99881	0.99879
17	0.99877	0.99876	0.99874	0.99872	0.99870	0.99869	0.99867	0.99865	0.99863	0.99861
18	0.99859	0.99858	0.99856	0.99854	0.99852	0.99850	0.99848	0.99846	0.99844	0.99842
19	0.99840	0.99838	0.99836	0.99835	0.99833	0.99831	0.99828	0.99826	0.99824	0.99822
20	0.99820	0.99818	0.99816	0.99814	0.99812	0.99810	0.99808	0.99806	0.99803	0.99801
21	0.99799	0.99797	0.99795	0.99793	0.99790	0.99788	0.99786	0.99784	0.99781	0.99779
22	0.99777	0.99775	0.99772	0.99770	0.99768	0.99765	0.99763	0.99761	0.99758	0.99756
23	0.99754	0.99751	0.99749	0.99747	0.99744	0.99742	0.99739	0.99737	0.99734	0.99732
24	0.99730	0.99727	0.99725	0.99722	0.99720	0.99717	0.99715	0.99712	0.99709	0.99707
25	0.99704	0.99702	0.99699	0.99697	0.99694	0.99691	0.99689	0.99686	0.99684	0.99681
26	0.99678	0.99676	0.99673	0.99670	0.99667	0.99665	0.99662	0.99659	0.99657	0.99654
27	0.99651	0.99648	0.99646	0.99643	0.99640	0.99637	0.99634	0.99632	0.99629	0.99626
28	0.99623	0.99620	0.99617	0.99615	0.99612	0.99609	0.99606	0.99603	0.99600	0.99597
29	0.99594	0.99591	0.99588	0.99585	0.99582	0.99579	0.99577	0.99574	0.99571	0.99568
30	0.99564	0.99561	0.99558	0.99555	0.99552	0.99549	0.99546	0.99543	0.99540	0.99537

ISO 15212-1:1998 Oscillation-type density meters – Part 1: Laboratory instruments

### 5.1.8 Application "Check weighing"

The application "Check weighing" allows you to check the deviation of a sample weight within a tolerance limit to a reference target weight.

#### Using sample identification

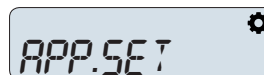
Weighing operations can be linked to a sample identification. You can activate and set up the sample ID in the APP.SET menu ([Using a sample ID ▶ Page 45]).

#### Methods of setting the reference

- Setting the reference **in weighing mode** (weigh nominal weight).
- Setting the reference **in manual mode** (enter nominal weight).

#### Setting reference in weighing mode

1 Access APP.SET using  and by pressing .



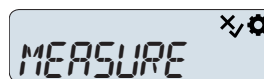
2 Select the entry TARGET.W using  or .



3 Press  to confirm your selection.

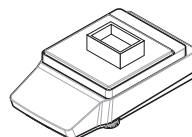


4 Select the entry MEASURE using  or .

5 Press  to confirm your selection.



6 Press  to zero the balance. If using: place empty container on the weighing pan and press  to tare the balance.



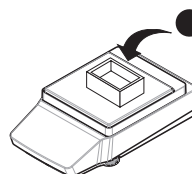
7 Place the nominal weight on the weighing pan.

8 Start weighing the nominal weight by pressing .

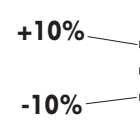
➔ The value of the nominal weight replaces the target value. You may now adapt the tolerances.

9 Select the entry + / - TOLERANCES using  or .

10 Press  to confirm your selection.



- 11 Enter the value for positive and negative tolerance in "%" using  $\uparrow$  or  $\downarrow$ . Adapt digit by digit and confirm each digit by pressing  $\checkmark$ .
- ➔ The tolerances are displayed. You may now adapt the Tolerances unit.



- 12 Select the entry UNIT: using  $\uparrow$  or  $\downarrow$ .

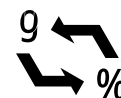
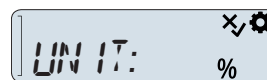
- 13 Press  $\checkmark$  to confirm your selection.

➔ The selected unit is displayed blinking.

- 14 Select an absolute tolerance in "g" or a relative tolerance in "%" using  $\uparrow$  or  $\downarrow$ .

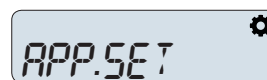
- 15 Press  $\checkmark$  to confirm your selection.

➔ Nominal value, tolerance and unit have been set. You may now start check weighing.



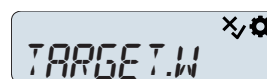
### Setting the reference in manual mode

- 1 Access APP.SET using  $\odot$  and by pressing  $\checkmark$ .



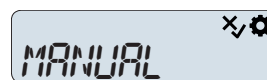
- 2 Select the entry TARGET.W using  $\uparrow$  or  $\downarrow$ .

- 3 Press  $\checkmark$  to confirm your selection.



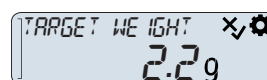
- 4 Select the entry MANUAL using  $\uparrow$  or  $\downarrow$ .

- 5 Press  $\checkmark$  to confirm your selection.



- 6 Enter the TARGET WEIGHT using  $\uparrow$  or  $\downarrow$ . Adapt digit by digit and confirm each digit by pressing  $\checkmark$ .

➔ The target weight is displayed. You may now adapt the tolerances.

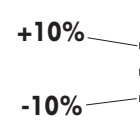


- 7 Select the entry +/- TOLERANCES using  $\uparrow$  or  $\downarrow$ .

- 8 Press  $\checkmark$  to confirm your selection.

- 9 Enter the value for positive and negative tolerance in "%" using  $\uparrow$  or  $\downarrow$ . Adapt digit by digit and confirm each digit by pressing  $\checkmark$ .

➔ The tolerances are displayed. You may now adapt the Tolerances unit.



- 10 Select the entry UNIT: using  $\uparrow$  or  $\downarrow$ .

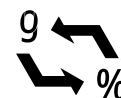
- 11 Press  $\checkmark$  to confirm your selection.

➔ The selected unit is displayed blinking.

- 12 Switch between "g" and "%" using  $\uparrow$  or  $\downarrow$ .

- 13 Press  $\checkmark$  to confirm your selection.

➔ Nominal value, tolerance and unit have been set. You may now start check weighing.

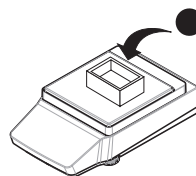


### Performing a check weighing

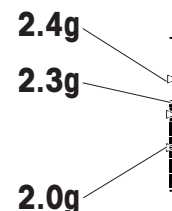
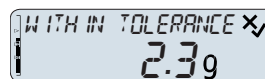
- 1 Press  $\rightarrow 0 \leftarrow$  to zero the balance. If using: place empty container on the weighing pan and press  $\rightarrow T \leftarrow$  to tare the balance.



- Place the item to be check-weighed on the weighing pan.



- ➔ The weight is displayed. If the placed weight is within the set tolerance, the tolerance bar indicates the position within the tolerance window. If the weight of the placed item exceeds the set tolerance, ABOVE TOLERANCE is displayed. Accordingly BELOW TOLERANCE is displayed, if the placed weight is below the tolerance.



### 5.1.9 Application "Factor weighing"

The application "Factor weighing" allows you to automatically perform a mathematical operation on the measured weight. The weighing result is a calculated value depending on the selected operation:

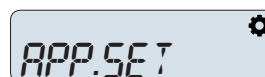
- Result = Weight \* Factor (Multiplication factor)
- Result = Weight / Factor (Division factor)
- Result = Weight + Factor (Addition factor)
- Result = Weight - Factor (Subtraction factor)

#### Example procedure

- Press to enter the application menu.
  - ➔ The Coach Text CHOOSE APPLICATION is displayed.
- Press or to select the application FACTOR.
- Press to confirm your selection.
  - ➔ The icon "Factor weighing" is displayed and the corresponding weighing applications opens.

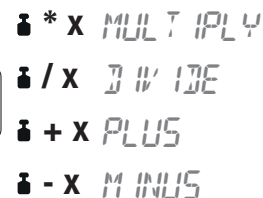
#### Choosing a mathematical operation

- Press to enter the settings menu.
- Press or to select APP.SET.
- Press to confirm your selection.



- ➔ The Coach Text METHOD UPON GRAM is displayed. You can now choose the mathematical operation performed on the weighing result.

- Press to start selecting an operation.
- Press or to select from (MULTIPLY | DIVIDE | PLUS | MINUS).



- Press to confirm your selection.
  - ➔ The mathematical operation is set. You can now define the factor value to be applied.



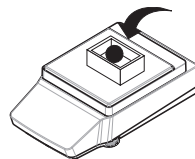
- Press twice to select the FACTOR VALUE setting.
- Press to confirm your selection.
- Enter the factor value to be applied. Depending on the selected mathematical operation this value factor is now multiplier, divisor, summand or subtrahend.



#### Performing a factor weighing

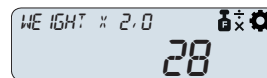
- Press to zero the balance.
- Open the draft shield door (if applicable).

- 3 Place the weighing object on the weighing pan.
- 4 Close the draft shield door (if applicable).
- 5 Wait until the weight stabilizes.



● = 14g

- ➔ The coach text indicates the mathematical operation performed and the factor value applied. The result is displayed taking into account the mathematical operation selected.



14g x 2.0 = 28

- 6 Optional, depending on the settings: Press PUBLISH to print or export the weighing result.

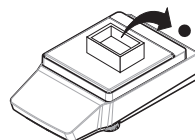
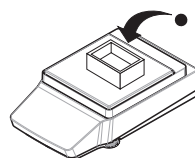
### 5.1.10 Application "Statistics"

The application "Statistics" allows you to generate statistics of a series of weighing values. 1 to 999 values are possible.

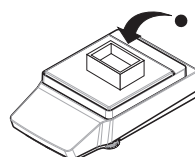
- 1 Tap to enter the applications menu.
  - ➔ CHOOSE APPLICATION is displayed.
- 2 Tap or to select the entry STAT.
- 3 Tap to confirm your selection.
  - ➔ The icon "Statistics" is displayed and the corresponding weighing applications opens.

If the memory is already cleared (sample counter is 0) the memory clear question will not be displayed.

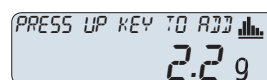
- 1 Place the first sample on the weighing pan.
- 2 Press to add the first sample to the calculation.
  - ➔ The balance confirms that the first sample has been added. The coach text REMOVE SAMPLE is displayed.
- 3 Remove the first sample from the weighing pan.
  - ➔ The coach text prompts to place the second sample.



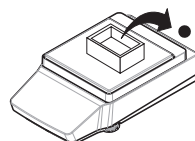
- 4 Place the second sample on the weighing pan.



- 5 Press to add the second sample to the calculation.
  - ➔ The balance confirms that the second sample has been added and prompts to remove this sample.



- 6 Repeat placing, confirming and removing samples until all samples have been weighed and added to the calculation.
- 7 Tap to finish the sample weighing.
- 8 Choose between COMPLETE, PAUSE and RESULT using or and confirming with .
  - ➔ If COMPLETE is selected, the cumulative weight is displayed and transferred to the printer (if connected).
  - ➔ If PAUSE is selected, you can resume the weighing process by pressing .
  - ➔ If RESULT is selected, NUMBER OF SAMPLES is displayed. You may change to the TOTAL GROSS WEIGHT by pressing or .




## Discarding samples

- 1 Press **X** to open the menu DISCARD SAMPLES.
- 2 Select LAST using **↑** or **↓** and confirm your selection with **✓** to discard the last sample weighed.
  - ➔ The display text indicates that the sample with a number corresponding to the last sample used has been discarded.
- 3 Select ALL and confirm your selection with **✓** to discard all samples weighed.
  - ➔ The coach text prompts you to place the first sample. All samples have been discarded.

### 5.1.11 Application "Totaling"

The application "Totaling" allows you to weigh in different samples to add their weight values and to totalize them. 1 to 999 samples are possible.


- 1 Tap  to enter the application menu.
  - ➔ The Coach Text CHOOSE APPLICATION is displayed.
- 2 Tap **↑** or **↓** to select the application TOTALING.
- 3 Tap **✓** to confirm your selection.
  - ➔ The icon  $\Sigma$  "Totaling" is displayed and the corresponding weighing applications opens.

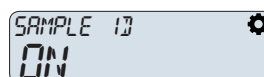
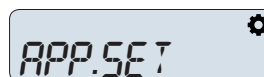
#### Performing a totaling

- 1 Place your first sample on the weighing pan.
  - ➔ The sample weight is displayed along with the coach text PRESS UP KEY TO ADD.
- 2 Tap **↑** proceed with the second sample.
  - ➔ The first sample weight is saved in the internal memory. After saving the coach text PLACE SAMPLE 2 is displayed.
- 3 Leave the first sample on the weighing pan and add the second sample onto the weighing pan.
  - ➔ The weight of the second sample is displayed.
- 4 Tap **↑** proceed with the next sample.
  - ➔ The weight is saved and the coach text indicates the next step.
- 5 Repeat the last step, until all samples have been weighed.
- 6 Tap **✓** to finish the sample weighing.
- 7 Choose between COMPLETE, PAUSE and RESULT using **↑** or **↓** and confirming with **✓**.
  - ➔ If COMPLETE is selected, the cumulative weight is displayed and transferred to the printer (if connected).
  - ➔ If PAUSE is selected, you can resume the weighing process by pressing **✓**.
  - ➔ If RESULT is selected, NUMBER OF SAMPLES is displayed. You may change to the TOTAL GROSS WEIGHT by pressing **↑** or **↓**

## 5.2 Using a sample ID

When the sample ID is activated, weighing results are assigned to this ID when printing the results. The sample ID is available for most applications.

- 1 Access APP.SET using  and by pressing **✓**.
- 2 Select the entry in the menu item SAMPLE ID using **↑** or **↓**.
- 3 Press **✓** to confirm your selection.
- 4 Change SAMPLE ID to ON using **↑** or **↓**.
- 5 Confirm your selection by pressing **✓**.



- ➔ The sample ID is activated. You can now edit the SAMPLE ID NAME manually or activate an automatic increment.

### Editing a sample ID manually

- 1 Adapt the sample ID digit by digit using ↑ or ↓. Press ✓ to confirm each digit.
- 2 After editing the last digit, press ✓ to confirm the entered sample ID.



➔ The next weighing will be assigned to the sample ID just entered.

### Activating auto increment

- 1 Select the entry in the menu item AUTO INCREMENT using ↑ or ↓.
- 2 Press ✓ to confirm your selection.
- 3 Change AUTO INCREMENT to ON using ↑ or ↓.




➔ The sample ID will now be incremented by 1 for each weighing process.

## 5.3 Adjustments


### Types of adjustments

The internal adjustment is performed with a build in weight. For the external adjustment a test weight is required.

#### Performing an internal adjustment

- 1 Press  to enter the settings menu.  
➔ The coach text ADJUSTMENT TYPE is displayed.
- 2 Press ↑ or ↓ to select the menu entry ADJ.INT.
- 3 Press ✓ to confirm your selection.  
➔ The internal adjustment is started. The coach text ADJUSTMENT ONGOING is displayed. A successful adjustment is indicated by PASSED. If the adjustment was not successful try starting the internal adjustment again. If your instrument fails the adjustment, inform a METTLER TOLEDO service technician.

#### Performing an external adjustment

- 1 Press  to enter the settings menu.  
➔ The coach text ADJUSTMENT TYPE is displayed.
- 2 Press ↑ or ↓ to select the menu entry ADJ.EXT.
- 3 Press ✓ to confirm your selection.
- 4 Enter the weight of the adjustment weight using ↑ or ↓ digit by digit. Confirm each digit by pressing ✓.
- 5 Place a test weight with the entered weight on the weighing pan.  
➔ The external adjustment is started. The coach text ADJUSTMENT ONGOING is displayed. A successful adjustment is indicated by PASSED. If the adjustment was not successful try starting the external adjustment again. If your instrument fails the adjustment, inform a METTLER TOLEDO brand service technician.

## 5.4 Services

### 5.4.1 PC-Direct function

The PC-Direct function of the balance allows you to transfer weighing results from the balance to a Windows application. The weight value and weight unit displayed on the balance are transferred to the cursor position in, e.g., Excel or Word.

#### Requirements

- Computer with one of the following Microsoft Windows® 32-bit/64-bit operating systems: Win 7 (SP1), Win 8 or Win 10
- Serial interface RS232 or USB

- Administrator rights for installing the SerialPortToKeyboard software (if data transfer is via RS232)
- Windows application (e.g., Excel)
- Connection between balance and computer via a suitable cable from METTLER TOLEDO

### Installing SerialPortToKeyboard software

The operation of PC-Direct via serial port RS232C requires the installation of **SerialPortToKeyboard** on your host computer. The file **SerialPortToKeyboard** can be found on ► [www.mt.com/labweighing-software-download](http://www.mt.com/labweighing-software-download). If you have any questions, please contact a METTLER TOLEDO representative.

### Download SerialPortToKeyboard

- 1 Connect to the internet.
- 2 Go to the site [www.mt.com/labweighing-software-download](http://www.mt.com/labweighing-software-download).
- 3 Click **Download Software and Instructions** in section **SerialPortToKeyboard software for Advanced and Standard level laboratory balances**.
  - ➔ A pop-up window with interactions appears.
- 4 Click, e.g., **Open**.
  - ➔ The extract screen appears.
- 5 Extract the file **SerialPortToKeyboard\_V\_x.xx\_installer\_and\_instructions.zip** to your specified location.
- 6 Right-click on the downloaded installation program **SerialPortToKeyboard\_V\_x.xx.exe** and select **Run as Administrator**.
- 7 If a safety warning appears, confirm windows to perform the installation.
- 8 Click **Next** and follow the installer's instructions.

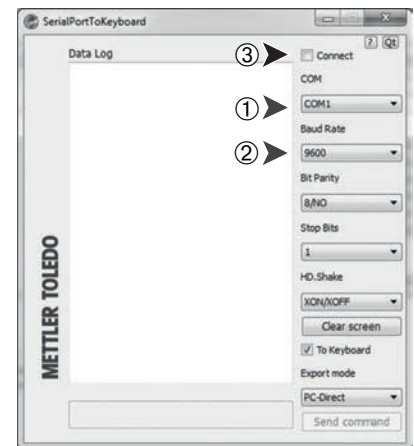
### Checking operation

- 1 Start **SerialPortToKeyboard** (RS232)
- 2 Start Excel (or another application) on the computer.
- 3 Activate a cell in Excel.



### Settings on the PC

#### Settings for SerialPortToKeyboard

- 1 Select the serial port **COM** for the connection with the balance.
- 2 Set the **Baud Rate** to **9600**.
- 3 Activate **Connect**.
  - Closing the window terminates the session.



### Settings at the balance

- 1 Access the settings menu by pressing .
- 2 Select BAL.SET and confirm with .
- 3 Scroll down and select INT.FACE.
- 4 Select either RS232 or USB as connectivity.
- 5 Set the connection to PC.DIRECT.
- 6 Select the appropriate options.

- 7 Navigate to LINE END-PC.D
- 8 Select one of the following the end-of-line settings:
  - <TAB> to write into the same row (e.g., in Excel).
  - <CR><LF> to write into the same column (e.g., in Excel).
- 9 Press ✓ to confirm your selection.

## 5.5 Passcode protection

Passcode protection allows you to secure the balance settings with a 4- to 8-digit passcode.

### Setting up a passcode

- 1 Access the settings menu by pressing ⚙.
- 2 Select BAL.SET and confirm with ✓.
- 3 Scroll down and select GENERAL.
- 4 Go to ACCESS PROTECTION.
- 5 Select ON.
- 6 Enter a passcode.
- 7 Press and hold down ✓ to confirm the passcode.
  - Note** If a 4- to 7-digit passcode was entered, the code will be confirmed with unused digits displayed as zeros.
- 8 Check the passcode and press ✓ again.
  - ➔ The settings menu is secured by the passcode.

### Resetting the passcode

- 1 Contact your METTLER TOLEDO service representative.
- 2 Provide the following information:
  - serial number (to be found in BAL.INF)
  - Production date of the balance (to be displayed in the top left corner of the display by pressing and holding ⏻)
- 3 Obtain a 3-day valid service passcode.
- 4 Enter the service passcode.
  - ➔ The access protection of the settings menu is deactivated.

### Removing the passcode




1. Press ⚙ and select BAL.SET.
- 2 Enter the passcode 1234
- 3 Press and hold ✓.
- 4 Scroll down and select "GENERAL.
- 5 Select ACCESS PROTECTION.
- 6 Select OFF.
- 7 Press ⏪ to go back to the main weighing screen.
  - ➔ The passcode is removed.

## 5.6 Recall weight

With the recall weight functionality, you can retrieve the last stable weight after the sample has been removed from the balance.

In the manual mode, the weight can be recalled by pressing ✓ after the sample has been removed from the balance.






In the automatic mode, the balance displays the last stable weight value automatically for five seconds as soon as you remove the weight from it. Also, it can recall the last stable weight by pressing ✓.

- 1 Access the settings menu by pressing .
  - 2 Select BAL.SET and confirm with .
  - 3 Select WEIGHING.
  - 4 Scroll down and select RECALL WEIGHT.
  - 5 Select ON and confirm with .
  - 6 Select RECALL WEIGHT MODE.
  - 7 Select MANUAL for the manual mode or AUTO for the automatic mode.
- ➔ The recall weight functionality is switched on.

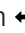


## 5.7 Exporting data to a USB storage device

This function allows you to export the weighing data to a USB storage device in the file formats TXT and CSV, which can be used to transfer the data to a computer.

### Exporting weighing data

- 1 Insert the USB storage device.
- 2 Make sure the connectivity icon  is visible in the screen.
- 3 Press  to access the settings menu.
- 4 Select BAL.SET.
- 5 Select PUBLISH.
- 6 Scroll down and select EXPORT FILE.
- 7 Select ON and confirm with .
- 8 Press  to go back to the main weighing screen.
- 9 Weigh a few samples and press  to transfer the result to the USB storage device.
- 10 Remove the USB storage device and view the data on your computer.

### Exporting configuration data







- 1 Insert the USB storage device.
  - 2 Make sure the connectivity icon  is visible in the screen.
  - 3 Press  to access the settings menu.
  - 4 Select BAL.SET.
  - 5 Scroll down and select MAINT.
  - 6 Scroll down and select DATA AND SETTINGS.
  - 7 Select EXPORT.
  - 8 Select START to confirm.
  - 9 Select BAL+APP.
  - 10 Wait until the transfer is complete.
  - 11 Press  to go back to the main weighing screen.
  - 12 Remove the USB storage device.
  - 13 Insert the USB storage device on your computer
  - 14 Check if the file (.jne) was successfully transferred.
- ➔ The balance and application settings can now be imported to another MA balance model, provided that model and software version of both balances are identical.

## 6 Software Description







### 6.1 Menu navigation

After the balance has been switched on, the operation keys can be used to navigate the balance menu.

#### Navigating the settings menu




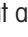

- 1 Press  to enter the settings menu.
- 2 Press  or  to navigate between different menu entries.
- 3 Press  to confirm your selection.
  - ➔ The selected menu entry opens. From there you can navigate to the next level of menus.
- 4 Press  to go back one menu level.
- 5 Press  to exit the current menu and return to the main weighing screen of the current application.

#### Navigating the applications menu

- 1 Press  to enter the applications menu.
- 2 Press  or  to navigate between different applications.
- 3 Press  to exit the applications menu.
- 4 Press  to start the selected application.
  - ➔ The selected application opens. For more information on the applications, refer to Weighing applications.
- 5 Press  to exit the applications menu and return to the main weighing screen of the last used application.

#### Adapting values

Some values can be adapted. In this case the first digit is blinking. You can start by adapting the first digit.

- 1 Press  to increase the value of the digit.
- 2 Press  to decrease the value of the digit.
- 3 When the desired number is displayed, press  to confirm the first digit.
  - ➔ The balance changes to the next digit. This digit is now blinking.
- 4 Repeat adapting the digits. Confirm each digit by pressing .
- 5 Press  after adapting the last digit to confirm the entered value.
  - ➔ The value has been adapted and can now be used for further operations.

### 6.2 Menu entries


#### Applications menu

Pressing  will access the applications menu, where you can choose from a selection of applications

Menu entry	Name of application	Description
WEIGHING	Weighing	[Application "Weighing" ▶ Page 33]
COUNTING	Piece Counting	[Application "Piece Counting" ▶ Page 34]
PERCENT	Percent Weighing	[Application "Percent weighing" ▶ Page 35]
FORMULA	Formulation	[Application "Formulation" ▶ Page 37]
DYNAMIC	Dynamic weighing	[Application "Dynamic Weighing" ▶ Page 38]
DENSITY	Density	[Application "Density" ▶ Page 39]
CHECK	Check Weighing	[Application "Check weighing" ▶ Page 41]
FACTOR	Factor weighing	[Application "Factor weighing" ▶ Page 43]
STAT	Statistics	[Application "Statistics" ▶ Page 44]
TOTALING	Totaling	[Application "Totaling" ▶ Page 45]










## Settings menu

Pressing  will access the settings menu, where you can make general and application specific settings. Additionally you can look up general information about the balance.

Menu entry	Name of application	Description
APP.SET	Application Settings	The APP.SET menu offers different settings depending on the active weighing application. The applications "FORMULA", "STAT" and "TOTALING" do not offer any application settings.
BAL.SET	Balance Settings	The BAL.SET menu offers general settings of balance. [Balance settings ▶ Page 55]
BAL INFO	Balance Information	The BAL INFO menu offers information about the balance. [Balance information ▶ Page 60]

### See also

-  Settings: Weighing ▶ Page 51
-  Settings: Piece Counting ▶ Page 52
-  Settings: Dynamic Weighing ▶ Page 53
-  Settings: Density ▶ Page 53
-  Settings: Check Weighing ▶ Page 53
-  Settings: Percent Weighing ▶ Page 52
-  Settings: Factor weighing ▶ Page 54

## 6.3 Application settings

### 6.3.1 Settings: Weighing

≡ Navigation:  > WEIGHING >  > APP.SET > <following menu entry>

Menu entry	Description	Values and meaning
SAMPLE ID	Define a sample identification.	<ul style="list-style-type: none"><li>• ON: Activates sample identification.</li><li>• OFF: Deactivates sample identification</li></ul> Only if SAMPLE ID is set to ON: <ul style="list-style-type: none"><li>• SAMPLE ID NUMBER: Allows you to enter a specific sample identification for the next weighing operation.</li><li>• AUTOINCREMENT:<ul style="list-style-type: none"><li>– ON: The balance increments the sample identification automatically by 1 for the next weighing operation.</li><li>– OFF: The entered sample identification is used for all subsequent samples.</li></ul></li></ul>

### 6.3.2 Settings: Piece Counting

Navigation:  > **PIECE COUNTING** >  > **APP.SET** > <following menu entry>

Menu entry	Description	Values and meaning
AVG.WGT	Determine the method for setting the average weight of a single piece.	<ul style="list-style-type: none"> <li>• MANUAL: Enter a value for the average weight.</li> <li>• MEASURE: Determine the average weight by weighing.               <ul style="list-style-type: none"> <li>– REFERENCE PIECES: Number of pieces put on the weighing pan.</li> </ul> </li> <li>• UNIT: Choose one of the following units for the weight:               <ul style="list-style-type: none"> <li>– g</li> <li>– kg</li> <li>– ct</li> <li>– lb</li> <li>– oz</li> <li>– ozt</li> <li>– GN</li> <li>– dwt</li> <li>– mom</li> <li>– msg</li> <li>– tlh</li> <li>– tls</li> <li>– tlt</li> <li>– tola</li> <li>– baht</li> </ul> </li> </ul>
SAMPLE ID	Allows to define a sample identification.	[Settings: Weighing ▶ Page 51]

### 6.3.3 Settings: Percent Weighing

Navigation:  > **PERCENT** >  > **APP.SET** > <following menu entry>

Menu entry	Description	Values and meaning
REF.WGT	Define the reference weight. Your weighing result is then displayed as a percentage of the entered weight.	-
SAMPLE ID	Allows to define a sample identification.	[Settings: Weighing ▶ Page 51]

#### See also

 Settings: Weighing ▶ Page 51

### 6.3.4 Settings: Dynamic Weighing

Navigation:  > DYNAMIC >  > APP.SET > <following menu entry>

Menu entry	Description	Values and meaning
START MODE	This setting determines the start mode of the dynamic weighing process.	<ul style="list-style-type: none"> <li>MANUAL: Start the weighing process by pressing ✓.</li> <li>AUTO: The weighing process automatically starts after a defined time once you place an object on the weighing pan.</li> </ul>
MEASURING DURATION	Define the measuring duration in seconds.	-
SAMPLE TARE	Activates or deactivates automatic taring between samples.	<ul style="list-style-type: none"> <li>ON: After the result has been calculated, the balance is automatically tared when the sample is removed from the weighing pan.</li> <li>OFF: Sample tare is deactivated.</li> </ul>
SAMPLE ID	Allows to define a sample identification.	[Settings: Weighing ▶ Page 51]

### 6.3.5 Settings: Density

Navigation:  > DENSITY >  > APP.SET > <following menu entry>

Menu entry	Description	Values and meaning
AUXILIARY LIQUID	This parameter determines the auxiliary liquid.	<ul style="list-style-type: none"> <li>H2O: Choose this setting if the auxiliary liquid is water.</li> <li>CUSTOM: Choose this setting if the auxiliary liquid is not water. <ul style="list-style-type: none"> <li>AUX LIQUID DENSITY: Enter the density of the custom auxiliary liquid here.</li> </ul> </li> </ul>
TEMPERATURE	Enter the measured temperature of the auxiliary liquid.	-
SAMPLE ID	Allows to define a sample identification.	[Settings: Weighing ▶ Page 51]

### 6.3.6 Settings: Check Weighing

Navigation:  > CHECK WEIGHING >  > APP.SET > <following menu entry>

Menu entry	Description	Values and meaning
TARGET.W	Enter the target weight manually or by measuring.	<ul style="list-style-type: none"> <li>MANUAL: Enter the target weight manually.</li> <li>MEASURE: Set the target weight by weighing an object.</li> </ul>
+/- TOLERANCES	This parameter determines the height of the tolerances.	-

Menu entry	Description	Values and meaning
TOLERANCES UNIT	This parameter determines the method the balance calculates the tolerance.	<ul style="list-style-type: none"> <li>• %: Percentage as a measuring method for the tolerance. Example: If in parameter "TOLERANCES" the number "5" is entered, the tolerance is 5%.</li> <li>• g   kg   ct   lb   oz   ozt   GN   dwt   mom   msg   tih   tls   flt   tola   baht: Weight unit as a measuring unit for the tolerance. The available units depend on the balance model. Example: If in parameter "TOLERANCES" the number "5" is entered, the tolerance is 5 g.</li> </ul>
SAMPLE ID	Allows to define a sample identification.	[Settings: Weighing ▶ Page 51]

### 6.3.7 Settings: Factor weighing

≡ Navigation:  > FACTOR >  > APP.SET > <following menu entry>

Menu entry	Description	Values and meaning
METHOD UPON GRAM	Adapt the operation performed with the measured weight.	<ul style="list-style-type: none"> <li>• MULTIPLY: Multiplies the measured weight with the defined factor value.</li> <li>• DIVIDE: Divides the measured weight by the defined factor value.</li> <li>• PLUS: Adds the defined factor value to the measured weight.</li> <li>• MINUS: Subtracts the defined factor value from the measured weight.</li> </ul>
DISPLAY DECIMAL	Adapt the display decimal. A value with the first decimal or without decimal can be set.	-
FACTOR VALUE	Adapt the factor value. The measured weight will be multiplied or divided by this value or the value will be added or subtracted from the measured weight. An 8-digit value and the first digit can be set.	-
SAMPLE ID	Allows to define a sample identification.	[Settings: Weighing ▶ Page 51]

#### See also

 Settings: Weighing ▶ Page 51

## 6.4 Balance settings

### WEIGHING

≡ Navigation: ⚙ > BAL.SET > WEIGHING

Use this menu to adapt the general settings of weighing processes and overall balance settings.

Menu entry	Description	Values and meaning
MAIN UNIT	Select your main weight unit. Weighing results are initially displayed in this unit.	UNIT 1: Select the main weight unit. The available units depend on the balance model.
SECONDARY UNIT	Select your secondary weight unit. Displaying of weighing results can be switched between the main unit and the secondary unit.	UNIT 2: Select the secondary weight unit. The available units depend on the balance model.
SAMPLE ID	Set up a sample identification.	[Settings: Weighing ▶ Page 51]
ENVIRONMENT	Defines the environmental conditions of the balance.	<ul style="list-style-type: none"> <li>• V.STABLE: For an environment that is free from any drafts and vibrations.</li> <li>• STABLE: For an environment that is practically free from drafts and vibrations.</li> <li>• STANDARD: For an average working environment subject to moderate variations in the ambient conditions.</li> <li>• UNSTABLE: For an environment where the conditions are from time to time changing.</li> <li>• V.UNSTABLE: For an environment where the conditions are continuously changing.</li> </ul>
WEIGHING MODE	Select the weighing mode.	<ul style="list-style-type: none"> <li>• UNIVERS: For all common weighing procedures.</li> <li>• SNSR.MODE: Delivers a filtered weighing signal of varying strength, depending on the setting of the ambient conditions. Filter has linear characteristic in relation to time (not adaptive) and is suitable for continuous measured value processing.</li> </ul>
VALUE RELEASE MODE	Define the speed at which the balance regards the measured value as stable and available for capture.	<ul style="list-style-type: none"> <li>• V.RLBL.: Very reliable. Provides very good repeatability of the measured results but prolongs the stabilization time. Some intermediate settings can also be chosen from.</li> <li>• RELIABLE</li> <li>• RLBL.FAST</li> <li>• FAST</li> <li>• V.FAST: Recommended if you require fast results and repeatability is not very important.</li> </ul>
DISPLAY READABILITY	Determine the readability [d] of the balance display.	<ul style="list-style-type: none"> <li>• 1d: Shows the maximum resolution.</li> <li>• 10d: 10 times smaller resolution</li> </ul> <p>The available readability options depend on the balance model.</p>

Menu entry	Description	Values and meaning
ZERO DRIFT COMP	<p>Activate or deactivate zero drift compensation.</p> <p>The function Zero drift compensation performs ongoing corrections of deviations from zero which may occur, for example, as a result of small amounts of dirt on the weighing pan.</p> <p>This menu option is not available for "Approved balances", as the settings are predefined.</p>	<ul style="list-style-type: none"> <li>ON: Zero drift compensation is activated.</li> <li>OFF: Zero drift compensation is deactivated.</li> </ul>
SERVICE REMINDER	<p>Activate or deactivate the service reminder function.</p>	<ul style="list-style-type: none"> <li>ON: Service reminder is activated.</li> <li>OFF: Service reminder is deactivated.</li> </ul>
ADJUSTMENT	<p>Activate or deactivate manual adjustment.</p>	<ul style="list-style-type: none"> <li>ON: Automatic adjustment is activated.</li> <li>OFF: Automatic adjustment is deactivated.</li> </ul>
RECALL WEIGHT	<p>Display the last weighing result.</p> <p>Activate or deactivate recall.</p> <p>Recall stores stable weights with an absolute display value bigger than 10d.</p>	<ul style="list-style-type: none"> <li>ON: Recall weight is activated.</li> <li>OFF: Recall weight is deactivated.</li> </ul> <p>If ON is selected:</p> <ul style="list-style-type: none"> <li>MANUAL</li> <li>AUTO</li> </ul>

## PUBLISH

Navigation:  > **BAL.SET** > **PUBLISH**

Use this menu to select and adjust publishing options.

Menu entry	Description	Values and meaning
WEIGHT CAPTURE MODE	<p>Define the result data transfer behavior.</p> <p>Data can be transferred when pressing the button to add or by the automatic weighing result creation.</p>	<ul style="list-style-type: none"> <li>MAN.STABL.: Manually triggered transfer. The system waits for a stable weight.</li> <li>MAN.ALL: Manually triggered transfer. The system uses all weighing results.</li> <li>AUTO.W/OZ: The results are published as soon as the weight is stable. Values of 0 g are not published.</li> <li>AUTO: The results are published as soon as the weight is stable. Values of 0 g are also published.</li> </ul>
INTERVAL	<p>Set up an interval for transferring result data.</p>	<ul style="list-style-type: none"> <li>ON: Activates the Interval. <ul style="list-style-type: none"> <li>INTERVAL IN SECONDS: Defines the time interval for the result data transfer.</li> </ul> </li> <li>OFF</li> </ul>
EXPORT FILE	<p>Determine if an export file is created.</p>	<ul style="list-style-type: none"> <li>ON: Export file is used.</li> <li>OFF: No export file is used.</li> </ul>
WORKFLOW RESULTS	<p>Choose between an automatic and a manual trigger for publishing data.</p>	<ul style="list-style-type: none"> <li>AUTO:</li> <li>MANUAL:</li> </ul>
ADJUSTMENT RESULTS	<p>Choose between an automatic and a manual trigger for publishing the adjustment results.</p>	<ul style="list-style-type: none"> <li>AUTO:</li> <li>MANUAL:</li> </ul>

## REPORT

### Navigation: > BAL.SET > REPORT

Use this menu to adapt the data included and the format of the generated report.

Menu entry	Description	Values and meaning
HEADER	Select the content of the report header.	<ul style="list-style-type: none"> <li>• DATE/TIME               <ul style="list-style-type: none"> <li>– ON: Includes date and time in the header.</li> <li>– OFF: Excludes date and time from the header.</li> </ul> </li> <li>• BALANCE INFO               <ul style="list-style-type: none"> <li>– ON: Includes balance information (for example, Balance ID) in the header.</li> <li>– OFF: Excludes balance information from the header.</li> </ul> </li> <li>• APPLICATION INFO               <ul style="list-style-type: none"> <li>– ON: Includes the application used for the weighing operation in the header.</li> <li>– OFF: Excludes the application used for the weighing operation from the header.</li> </ul> </li> </ul>
RESULT	Select additional information for the result in the report.	<ul style="list-style-type: none"> <li>• TARE/GROSS WEIGHT               <ul style="list-style-type: none"> <li>– ON: Includes the gross weight for multiple cumulative weighing operations in the result.</li> <li>– OFF: Excludes the gross weight for multiple cumulative weighing operations from the result.</li> </ul> </li> <li>• SECONDARY UNIT               <ul style="list-style-type: none"> <li>– ON: Includes the weighing result in the secondary unit.</li> <li>– OFF: Excludes the weighing result from the secondary unit.</li> </ul> </li> </ul>
FOOTER	Select the content of the report footer.	<ul style="list-style-type: none"> <li>• DATE/TIME               <ul style="list-style-type: none"> <li>– ON: Includes date and time in the footer.</li> <li>– OFF: Excludes date and time from the footer.</li> </ul> </li> <li>• SIGNATURE LINE               <ul style="list-style-type: none"> <li>– ON: Includes the signature line in the footer.</li> <li>– OFF: Excludes the signature line from the footer.</li> </ul> </li> <li>• EMPTY LINES               <ul style="list-style-type: none"> <li>– ON: Includes empty lines in the footer. This guarantees some space before the next report.</li> <li>– OFF: Excludes empty lines from the footer.</li> </ul> </li> </ul>

## INT.FACE

### Navigation: > BAL.SET > INT.FACE

Use this menu to select and define specific interface options.

Menu entry	Description	Values and meaning
RS232	Select the interface settings for the RS232 interface.	<ul style="list-style-type: none"> <li>•</li> <li>• RS232 CONNECTION               <ul style="list-style-type: none"> <li>– CMD.HOST</li> <li>– P-20</li> <li>– P-50</li> <li>– 2.DISPLAY: Notice that the balance can be damaged if other devices besides compatible displays are connected.</li> <li>– PC.DIRECT</li> <li>– EDB</li> </ul> </li> </ul> <p>After selecting the connection type (RS232 CONNECTION) you can define the interface properties. Not all options are available for every connection type.</p> <ul style="list-style-type: none"> <li>• BAUDRATE: Set the baud rate (600   1200   2400   4800   9600   19200   38400   57600   115200)</li> <li>• BITS/PARITY: Set the number of bits and the parity bit settings ( 8/No*   7/No   7/Mark   7/Space   7/Even   7/Odd</li> <li>• DATA FLOW: Set the data flow options (XOn/XOff   RTC / CTS   NONE)</li> <li>• STOP BIT: Set stop bit options (1-bit   2 bits )</li> <li>• LINE END: Select the line end ( (CR) (LF)   (CR)   (LF)   (TAB)) (CR) (LF)): Writes in the same column. (TAB): Writes in the same row.</li> <li>• COMMAND SET: Sets the command set ( MT-SICS   SART.16   SART.22) MT-SICS): MT-SICS data transfer format is used. SART.16 / SART.22: Emulated Sartorius balances data format is used.</li> <li>• HOST OUTPUT MODE: Defines the output mode (SINGLE   CONT) SINGLE: A single data package is sent. CONT.: The data package is repeated continuously.</li> <li>• WEIGHT UNIT: Activate or deactivate the transfer of the selected weight unit. PC.DIRECT only.</li> </ul>
USB	Select the interface settings for the USB interface.	<ul style="list-style-type: none"> <li>• USB CONNECTION               <ul style="list-style-type: none"> <li>– USB D.S.: Activates USB protocol for data transfer.</li> <li>– RS232 D.S.: Activates RS232 protocol for data transfer.</li> </ul> </li> <li>• CONNECTED DEVICE: Lists connected devices found. If no compatible device is connected NO FOUND is displayed.</li> </ul>



Menu entry	Description	Values and meaning
COMMUNICATION	Activate or deactivate data transfer.	<ul style="list-style-type: none"> <li>• COMMUNICATION <ul style="list-style-type: none"> <li>– ACTIVE: The selected interface connection is transferring data.</li> <li>– BLOCKED: Balance communication is blocked.</li> </ul> </li> </ul>

## DATE.TIME

≡ Navigation: ⚙ > BAL.SET > DATE.TIME

Use this menu to set date and time.

Menu entry	Description	Values and meaning
DATE FORMAT	Choose a preset for the date format.	<ul style="list-style-type: none"> <li>• DD.MM.YYYY</li> <li>• MM / DD / YY</li> <li>• YY - MM - DD</li> <li>• YY / MM / DD</li> </ul>
DATE	Set the balance to the present date	<ul style="list-style-type: none"> <li>• DATE/DAY</li> <li>• DATE/MONTH</li> <li>• DATE/YEAR</li> </ul>
TIME FORMAT	Select a time format.	<ul style="list-style-type: none"> <li>• 24:MM: Select a 24 h format with colon as separator between hours and minutes.</li> <li>• 12:MM: Select a 12 h format with colon as separator between hours and minutes.</li> <li>• 24.MM: Select a 24 h format with period as separator between hours and minutes.</li> <li>• 12.MM: Select a 12 h format with period as separator between hours and minutes.</li> </ul>
TIME	Set the balance time.	<ul style="list-style-type: none"> <li>• TIME/HOURS</li> <li>• TIME/MINUTES</li> </ul>

## GENERAL

≡ Navigation: ⚙ > BAL.SET > GENERAL

Use this menu to display the balance identifier and to set up protection against unauthorized access.

Menu entry	Description	Values and meaning
BACKLIGHT	Activate or deactivate the display backlight.	<ul style="list-style-type: none"> <li>• ON: Backlight is activated.</li> <li>• OFF: Backlight is deactivated.</li> </ul>
SOUND ON KEY PRESS	Activate or deactivate acoustic feedback.	<ul style="list-style-type: none"> <li>• ON: Pressing a key is indicated by a beeping sound.</li> <li>• OFF: Sounds are deactivated.</li> </ul>
BALANCE ID	Enter and set a balance identifier.	-
ACCESS PROTECTION	Restrict access to some balance menus by establishing a passcode.	<ul style="list-style-type: none"> <li>• ON: Passcode protection is activated. Access some menus is restricted. [Passcode protection ▶ Page 48]</li> <li>• OFF: Passcode protection is deactivated.</li> </ul>
AUTO STANDBY	Activate or deactivate standby.	<ul style="list-style-type: none"> <li>• ON: The balance automatically enters standby mode after a defined time.</li> <li>• OFF: Standby mode will not be activated automatically.</li> </ul>

Menu entry	Description	Values and meaning
WAIT TIME IN	Define the time until standby mode. Does not apply to compact balances in battery mode.	-

## MAINT

### Navigation: > BAL.SET > MAINT

Use this menu to update the software or to reset the balance.

Menu entry	Description	Values and meaning
DATA AND SETTINGS	Export data and settings to a USB storage device or import existing data.	<ul style="list-style-type: none"> <li>• IMPORT</li> <li>• EXPORT</li> </ul>
SOFTWARE	Update the balance software or display the software version log.	<ul style="list-style-type: none"> <li>• UPDATE: Perform a software update. [Updating the software ▶ Page 68]</li> <li>• LOG: Display the software version log.</li> </ul>
RESET:	Reset the balance software.	-

## 6.5 Balance information

### Navigation: > BAL.INFO > <following menu entry>

Menu entry	Description	Values and meaning
BALANCE TYPE	This menu item shows the type of the balance.	-
BALANCE ID	This menu item shows the ID of the balance.	-
MAXIMUM CAPACITY	This menu item shows the maximum capacity of the scale.	-
SCALE INTERVAL	The scale interval in grams.	-
SERIAL NUMBER 1/2	The first 8 digits of the 9-digit serial number.	-
SERIAL NUMBER 2/2	The last digit of the 9-digit serial number.	-
SOFTWARE SYSTEM	The version of the installed software.	-
DIGITAL LOAD CELL	The software version of the digital load cell.	-
TDNR 1/2	First part of the type definition number.  The type definition number is the key to a defined set of configuration parameters of the balance.	-
TDNR 2/2	Second part of the type definition number.	-

## 6.6 Adjustments settings

☰ Navigation: > Adjustment > following menu entry

Menu entry	Description	Values and meaning
ADJ.INT	The external adjustment requires separate weights to adjust the balance.	ADJUSTMENT WEIGHT: Define the weight of your choice.
ADJ.EXT	The internal adjustment uses the built-in weights to adjust the balance.	—

## 7 Maintenance

To guarantee the functionality of the balance and the accuracy of the weighing results, a number of maintenance actions must be performed by the user.

### 7.1 Maintenance tasks

Maintenance action	Recommended interval	Remarks
Performing an internal or external adjustment	<ul style="list-style-type: none"><li>• Daily</li><li>• After cleaning</li><li>• After leveling</li><li>• After changing the location</li></ul>	see "Adjustments"
Cleaning	<ul style="list-style-type: none"><li>• After every use</li><li>• Depending on the degree of pollution</li><li>• Depending on your internal regulations (SOP)</li></ul>	see "Cleaning"
Updating the software	<ul style="list-style-type: none"><li>• Depending on your internal regulations (SOP).</li><li>• After a new software release.</li></ul>	see "Software update"

#### See also

 Adjustments ▶ Page 46

 Cleaning ▶ Page 62

 Software update ▶ Page 68

### 7.2 Cleaning

#### 7.2.1 Disassembling for cleaning

##### Note

Depending on the balance model, the components may look different.

##### Note

In most cases, it is not necessary to remove the protective cover to clean the balance.

##### 7.2.1.1 Balances with draft shield



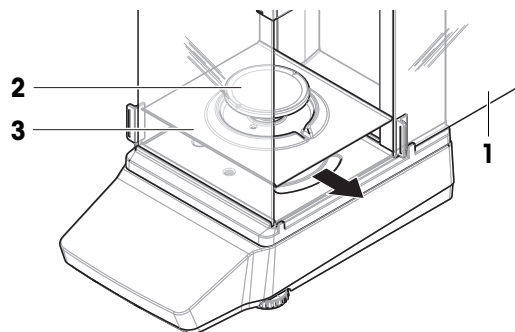
#### CAUTION

##### Injury due to sharp objects or broken glass

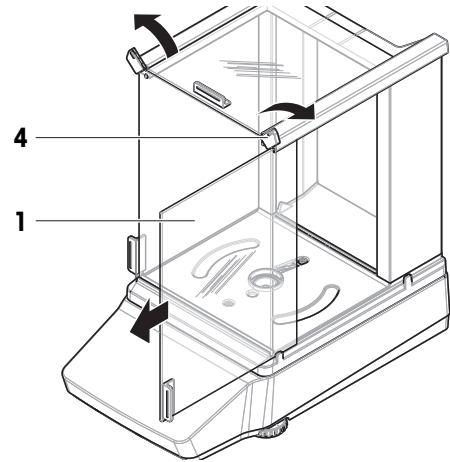
Instrument components, e.g., glass, can break and lead to injuries.

- Always proceed with focus and care.

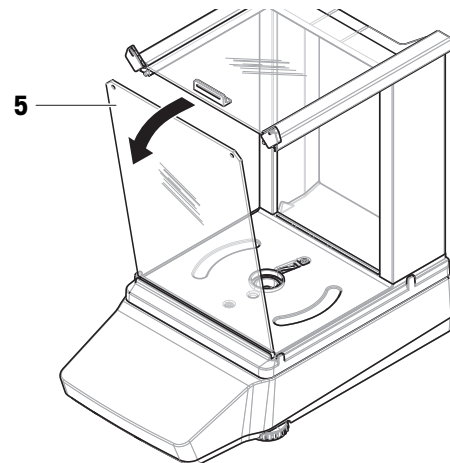
- 1 Fully open the side door (1).
- 2 Remove the weighing pan (2) and the drip tray (3).



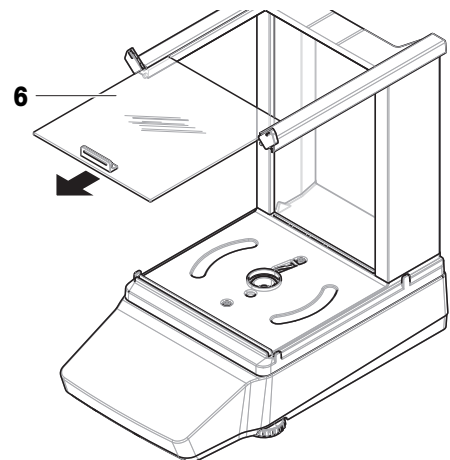
- 3 Turn the quick lock (4) and pull the side door (1) towards the front to remove it (right, left).



- 4 Tilt the front panel (5) towards the front and lift it upwards to remove it.



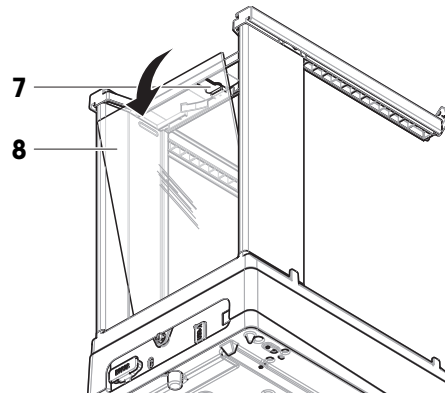
- 5 Pull the top door (6) towards the front to remove it.



- 6 Press the release button (7) and tilt the back panel (8) to remove it.

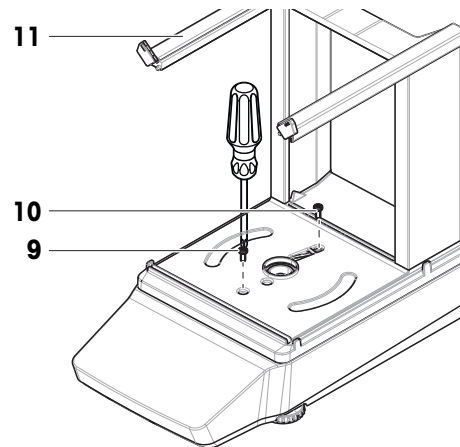
**Note**

Optional, if required: Remove the protective cover for cleaning as described below.

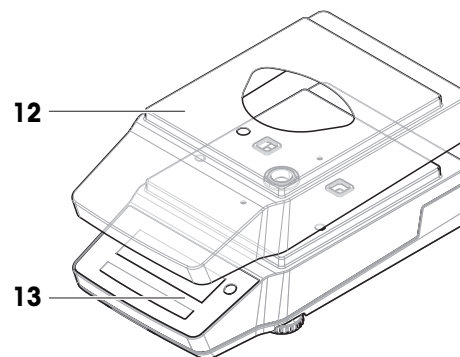


- 7 Remove the front screw (9) and the rear screw (10) with a Phillips screwdriver.

- 8 Remove the draft shield (11).



- 9 Remove the protective cover (12) from the weighing platform (13).

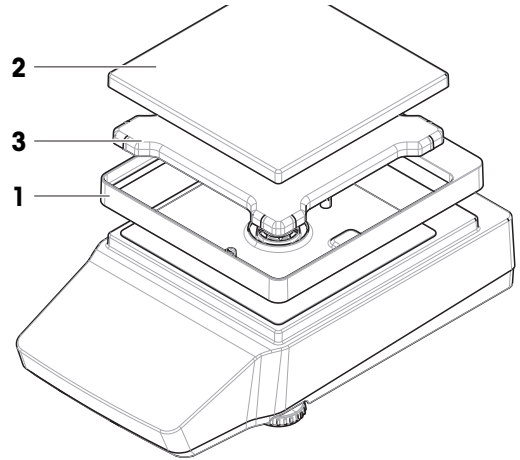


### 7.2.1.2 Balances without draft shield

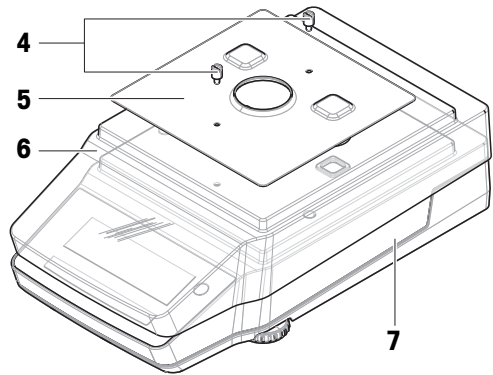
- 1 Remove the draft-protection element (1).
- 2 Remove the weighing pan (2).
- 3 Remove the weighing pan support (3).

**Note**

Optional, if required: Remove the protective cover for cleaning as described below.

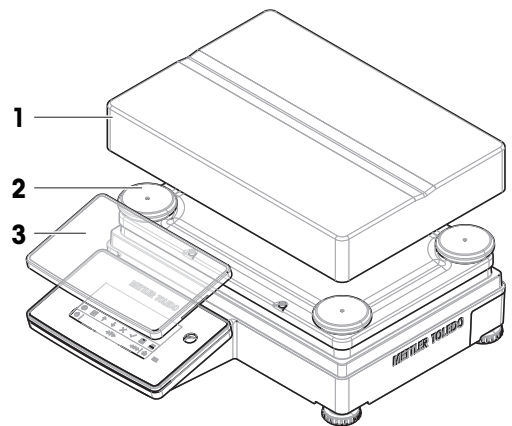


- 4 Remove the screws (4) to remove the EMC plate (5).
- 5 Remove the protective cover (6) from the weighing platform (7).



### 7.2.1.3 Balances, large

- 1 Remove the weighing pan (1).
- 2 Remove the support caps (2).
- 3 Optional, if required: Remove the protective cover (3) for cleaning.

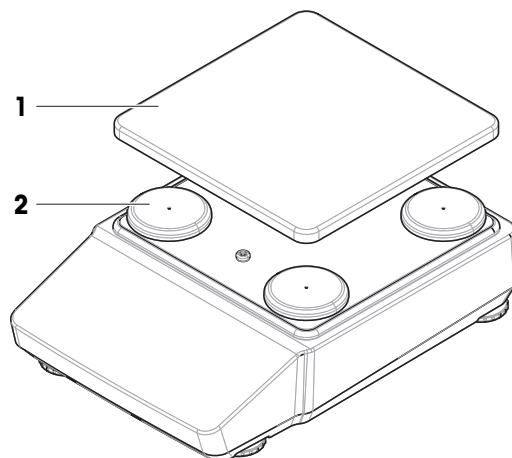


### 7.2.1.4 Balances, compact

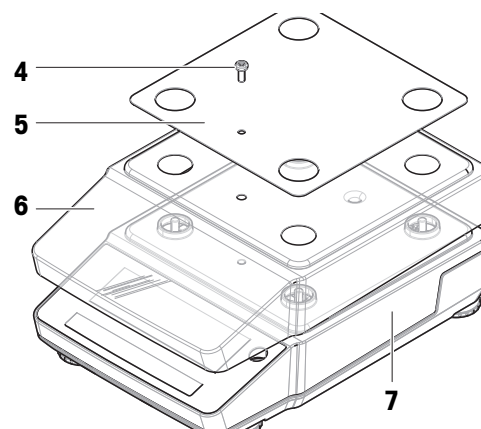
- 1 Remove the weighing pan (1).
- 2 Remove the support caps (2).

**Note**

Optional, if required: Remove the protective cover for cleaning as described below.



- 3 Remove the screw (4) to remove the EMC plate (5).
- 4 Remove the protective cover (6) from the weighing platform (7).



### 7.2.2 Cleaning agents

In the following table, cleaning tools and cleaning agents recommended by METTLER TOLEDO are listed. Pay attention to the concentration of the agents specified in the table.

		Tools				Cleaning agents					
		Paper tissue	Brush	Dishwasher	Water	Acetone	Ethanol (70%)	Isopropanol (70%)	Hydrochloric acid (3-10%)	Sodium hydroxide (0.2-1.0 M)	Peracetic acid (2-3%)
Around the balance	Balance housing	✓	R	—	R	—	R	✓	R	R	R
	Feet	✓	R	—	R	—	R	✓	R	R	R
Balance terminal	Terminal	✓	R	—	✓	PR	R	R	R	R	R
	Display	✓	—	—	✓	PR	R	R	R	R	R
	Terminal cover	✓	R	—	✓	—	R	R	R	PR	PR



		Paper tissue	Brush	Dishwasher	Water	Acetone	Ethanol (70%)	Isopropanol (70%)	Hydrochloric acid (3-10%)	Sodium hydroxide (0.2-1.0 M)	Peracetic acid (2-3%)
Balance draft shield	Glass panels	✓	R	R	R	PR	✓	✓	R	R	R
	Non-removable handles and frames	✓	R	—	R	PR	✓	✓	R	R	R
Weighing area	Weighing pan	R	R	✓	R	R	✓	✓	R	R	R
	Drip tray	R	R	✓	R	R	✓	✓	—	—	R

### Legend

- ✓ Best recommendation by METTLER TOLEDO; can be used without limitation.
- R Recommended by METTLER TOLEDO; can be used without limitation.
- PR Partially recommended by METTLER TOLEDO: individual resistance to acid and alkali must be evaluated, including dependence to the time exposure.
- Not recommend. High risk for damage.

## 7.2.3 Cleaning the balance



### NOTICE

#### Damage to the instrument due to inappropriate cleaning methods

If liquid enters the housing, it can damage the instrument. The surface of the instrument can be damaged by certain cleaning agents, solvents, or abrasives.

- 1 Do not spray or pour liquid on the instrument.
- 2 Only use the cleaning agents specified in the Reference Manual (RM) of the instrument or the guide "8 Steps to a Clean Balance".
- 3 Only use a lightly moistened, lint-free cloth or a tissue to clean the instrument.
- 4 Wipe off any spills immediately.



For further information on cleaning a balance, consult "8 Steps to a Clean Balance".

► [www.mt.com/lab-cleaning-guide](http://www.mt.com/lab-cleaning-guide)

#### Cleaning around the balance

- Remove any dirt or dust around the balance and avoid further contaminations.

#### Cleaning the terminal

- Clean the terminal with a damp cloth or a tissue and a mild cleaning agent.

#### Cleaning the removable parts

- Clean the removed part with a damp cloth or a tissue and a mild cleaning agent or clean in a dishwasher up to 80 °C.




## Cleaning the weighing unit

- 1 Disconnect the balance from the AC/DC adapter.
- 2 Use a lint-free cloth moistened with a mild cleaning agent to clean the surface of the balance.
- 3 Remove powder or dust with a disposable tissue first.
- 4 Remove sticky substances with a damp lint-free cloth and a mild solvent, e.g., isopropanol or ethanol 70%.

### 7.2.4 Putting into operation after cleaning

- 1 Reassemble the balance.
- 2 Check that the draft shield doors (top, sides) open and close normally (if applicable).
- 3 Reconnect the balance to the AC/DC adapter.
- 4 Check the level bubble, level the balance if necessary.
- 5 Respect the warm-up time specified in the "Technical Data".
- 6 Perform an internal adjustment.
- 7 Perform a routine test according to the internal regulations of your company.
- 8 Press **→0←** to zero the balance.
  - ➔ The balance is ready for use.

#### See also

-  Leveling the balance ▶ Page 26
-  Technical Data ▶ Page 74
-  Performing an internal adjustment ▶ Page 28

## 7.3 Service

Regular servicing by an authorized service technician ensures reliability for years to come. Contact your METTLER TOLEDO representative for details about the available service options.

## 7.4 Software update

Search for software:


 [www.mt.com/labweighing-software-download](http://www.mt.com/labweighing-software-download)

Contact a METTLER TOLEDO service representative if you need support updating the software.

☰ **Navigation:**  > **BAL.SET** > **MAINT** > **SOFTWARE** > **UPDATE**

### 7.4.1 Updating the software

The software update is only accessible to users with the corresponding rights. Make sure that the USB storage device used contains only one software in the file format MOT.

- A USB storage device containing the software is connected to the balance and not to be removed during the software update.
  - 1 Press  to enter the settings menu.
  - 2 Navigate to the menu entry BAL.SET.
  - 3 Navigate to the menu entry MAINT.
  - 4 Navigate to the menu entry SOFTWARE UPDATE.
    - ➔ A request to insert a USB storage device is displayed.
  - 5 Insert a USB storage device with the desired software version.
  - 6 Select START to run the update.
    - ➔ The balance performs the update. After completing the update, the balance reboots.

## 7.4.2 Putting into operation after software update

- 1 Check the level status. Level the balance if required.
- 2 Perform an internal adjustment.
- 3 Press **→0←** to zero the balance.
  - ➔ The balance is ready for use.

### See also

- [🔗 Leveling the balance ▶ Page 26](#)
- [🔗 Performing an internal adjustment ▶ Page 28](#)

## 8 Troubleshooting

Possible errors with their cause and remedy are described in the following chapter. If there are errors that cannot be corrected through these instructions, contact METTLER TOLEDO.

### 8.1 Error messages

Error message	Possible cause	Diagnostic	Remedy
The balance shows an error code.	Software or hardware error.	–	Perform a balance reset. If the issue persists, contact your METTLER TOLEDO service representative.
Battery backup lost - check date and time settings	The battery (capacitor) is low. The battery (capacitor) backup is lost.	Check the settings for date and time.	Connect the balance to the power outlet and let the battery (capacitor) charge for two to three days. Set date and time. If the issue persists, contact your METTLER TOLEDO service representative.
EEPROM checksum error	EEPROM is corrupt.	–	Perform a balance reset. If the issue persists, contact your METTLER TOLEDO service representative.
<b>Memory full.</b>	The memory storage is full.	–	Perform a balance reset.
<b>No standard adjustment.</b>	The standard adjustment is missing or invalid.	–	Contact your METTLER TOLEDO service representative.
<b>Program memory defect.</b>	The checksum for the stored program is not correct anymore.	–	Reinstall the balance software. If the issue persists, contact your METTLER TOLEDO service representative.
<b>Temperature sensor defect..</b>	The temperature sensor that measures the cell temperature is defective.	–	Contact your METTLER TOLEDO service representative.
<b>Unknown error</b>	General error for an unspecific issue.	–	Restart the balance. Perform a balance reset. If the issue persists, contact your METTLER TOLEDO service representative.
<b>Wrong cell data.</b>	The cell data is damaged or its checksum is incorrect.	–	Contact your METTLER TOLEDO service representative.

## 8.2 Error symptoms

Error symptom	Possible cause	Diagnostic	Remedy
The balance shows no valid date and time.	The battery (capacitor) is low. The battery (capacitor) backup is lost.	Check the settings for date and time.	Connect the balance to the power outlet and let the battery (capacitor) charge for two to three days. Set date and time. If the issue persists, contact your METTLER TOLEDO service representative.
The display is dark.	The balance is in standby mode.	–	Switch on the balance.
	There is no power.	Check the connection to the AC/DC adapter and the power outlet.	Connect the balance to the power outlet. See "Connecting the balance".
	The wrong AC/DC adapter is connected to the balance.	Check the AC/DC adapter, see "Technical Data".	Use the correct AC/DC adapter.
	The AC/DC adapter is defective.	–	Replace the AC/DC adapter.
	The display is defective.	–	Contact your METTLER TOLEDO service representative.
The balance does not react to any input.	Software freeze.	–	Disconnect the power cable from the balance and reconnect it after a few seconds. Perform a balance reset. If the issue persists, contact your METTLER TOLEDO service representative.
The balance does not start up properly.	The balance has not power.	Check if the AC/DC adapter is plugged in.	Connect the AC/DC adapter.
	The AC/DC adapter is defective.	Check with another AC/DC adapter if available.	Replace the AC/DC adapter, see accessories list.
The balance does not return to zero the weight is removed.	Something is touching the weighing pan. Dirt or dust on the weighing pan.	Remove the weighing pan and check it for dirt or dust.	Clean the weighing pan. If the issue persists, contact your METTLER TOLEDO service representative.
Taring fails.	The weighing bench is vibrating.	Tab →← and check if the value on the display is still unstable.	Place the balance on a weighing bench free of vibrations.
	The weighing sample is electrostatically charged.	Place a test weight on the weighing pan. Check if the weighing result is stable.	For balances with a draft shield: place a water container into the weighing chamber to increase the humidity.

Error symptom	Possible cause	Diagnostic	Remedy
			Use an antistatic device, see accessories list.
The internal adjustment fails.	A weight is on the weighing pan.	–	Remove the weight from the weighing pan.
	Repeatability is poor.	–	Perform a repeatability test.
	The internal weight does not function properly.	–	Contact your METTLER TOLEDO service representative.
The display shows overload or underload.	The wrong weighing pan is installed.	Slightly lift or press the weighing pan to see if the weight appears on the display.	Install a proper weighing pan.
	No weighing pan is installed.	–	Install a proper weighing pan.
	Incorrect zero point when the balance is switched on.	–	Disconnect the power cable and reconnect it after a few seconds.
	The balance is not adjusted.	–	Perform an internal adjustment. See section "Performing an internal adjustment".
The value on the display oscillates.	Vibrations on the weighing bench, for example, building vibrations, foot traffic.	Place a beaker with water on the weighing bench. Vibrations cause ripples on the water surface.	Protect the weighing location against vibrations, for example, with an absorber. Find a different weighing location.
	Draft due to untight draft shield and/or open window.	Check the draft shield for gaps.	Fix the draft shield. Close the window.
	The weighing sample is electrostatically charged.	Check if the weighing result is stable when using a test weight.	Increase the air humidity in the weighing chamber. Use an ionizer. See "Accessories".
	The location is not suitable for weighing.	–	Follow the requirements for the location. See "Selecting the location".
	Something is touching the weighing pan.	Check for touching parts or dirt.	Remove touching parts. Clean the balance.
The value on the display is drifting towards plus or minus.	The location is not suitable for weighing.	–	Place the balance in a location with suitable environmental conditions.
	The weighing sample absorbs moisture or evaporates moisture.	Check if the weighing result is stable when using a test weight.	Cover the weighing sample.
	The weighing sample is electrostatically charged.	Use a test weight to check if the weighing result is stable.	Increase the humidity in the weighing chamber. Use an ionizer, see accessories list.

Error symptom	Possible cause	Diagnostic	Remedy
	The weighing sample is warmer or colder than the air in the weighing chamber.	Check if the weighing result is stable when using an acclimatized test weight.	Bring the sample to room temperature.
	The balance has not yet warmed up.	–	Let the balance warm up. Adequate warm-up time is specified in the section "General data".

### 8.3 Putting into operation after fixing an error


After troubleshooting, perform the following steps to put the balance into operation:

- Ensure that the balance is completely reassembled and cleaned.
- Reconnect the balance to the AC/DC adapter.

## 9 Technical Data

### 9.1 General data

#### Power supply

AC/DC adapter:	Input: 100 – 240 V AC $\pm$ 10%, 50 – 60 Hz, 0.5 A Output: 12 V DC, 1 A, LPS
Balance power consumption:	12 V DC, 0.5 A
Polarity:	

#### Protection and standards

Overvoltage category:	II
Degree of pollution:	2
Ingress protection code:	IP43 (balances with readability of 10 mg or higher, excluding portable balances)

#### Note

Stated IP is only achieved when the balance is ready for operation. The protective cover must be installed, and the caps must cover the interface connections.

Standards for safety and EMC:	See Declaration of Conformity
Range of application:	Use only indoors in dry locations

#### Environmental conditions

The limit values apply when the balance is used under the following environmental conditions:

Height above mean sea level:	Up to 5000 m
Ambient temperature:	+10 – +30 °C
Temperature change, max.:	5 °C/h
Relative humidity:	30 – 70%, non-condensing
Acclimatization time:	Recommendation: Up to <b>4 hours</b> for precision balances, or up to <b>8 hours</b> for analytical balances. These values apply after placing the balance in the same location where it will be put into operation.

#### Note

The acclimatization time depends on the readability of the balance, and on the environmental conditions.

Warm-up time:	At least <b>30 minutes</b> for precision balances, or <b>60 minutes</b> for analytical balances. These values apply after connecting the balance to the power supply. When switched on from standby, the balance is ready for operation immediately.
---------------	--

The balance can be used under the following environmental conditions. However, the weighing performances of the balance may be outside the limit values:

Ambient temperature:	+5 °C – +40 °C
Relative humidity:	20% to max. 80% at 31 °C, decreasing linearly to 50% at 40 °C, non-condensing

The balance can be disconnected and stored in its packaging under the following conditions:

Ambient temperature:	-25 – +70 °C
Relative humidity:	10 – 90%, non-condensing



## 9.2 Model-specific data

### **i** Note

Balances with the letter E in their model designation use external adjustment only. These balances do not have internal adjustment as an option.

### 9.2.1 Analytical balances, readability 0.01 mg or 0.1 mg

	MA55	MA95	MA155DU
<b>Limit values</b>			
Capacity	52 g	92 g	152 g
Nominal load	50 g	80 g	150 g
Readability	0.01 mg	0.01 mg	0.1 mg
Capacity of fine range	–	–	62 g
Readability in fine range	–	–	0.01 mg
Repeatability (at 5% load)	0.03 mg	0.03 mg	0.03 mg
Linearity deviation	0.1 mg	0.1 mg	0.2 mg
Eccentricity deviation (at test load)	0.1 mg (20 g)	0.1 mg (50 g)	0.1 mg (50 g)
Sensitivity offset (at nominal load) ▲	0.4 mg	0.4 mg	0.8 mg
Sensitivity temperature drift	0.0002%/°C	0.0002%/°C	0.0002%/°C
<b>Typical values</b>			
Repeatability (at 5% load)	0.015 mg	0.015 mg	0.015 mg
Linearity deviation	0.03 mg	0.03 mg	0.06 mg
Eccentricity deviation (at test load)	0.03 mg (20 g)	0.03 mg (50 g)	0.03 mg (50 g)
Sensitivity offset (at nominal load) ▲	0.25 mg	0.25 mg	0.5 mg
Minimum weight (USP, tolerance = 0.10%) ▼	30 mg	30 mg	30 mg
Minimum weight (tolerance = 1%) ▼	3 mg	3 mg	3 mg
Settling time	4 s	4 s	4 s
<b>Dimensions and other specifications</b>			
Balance dimensions (W × D × H)	209 × 354 × 354 mm	209 × 354 × 354 mm	209 × 354 × 354 mm
Weighing pan diameter	80 mm	80 mm	80 mm
Usable height of draft shield	238 mm	238 mm	238 mm
Balance weight	5.6 kg	5.6 kg	5.6 kg
<b>Weights for routine testing</b>			
Weights (OIML class)	50 g (F2) / 2 g (F2)	50 g (F2) / 2 g (F2)	100 g (F2) / 5 g (F2)
Weights (ASTM class)	50 g (ASTM 1) / 2 g (ASTM 1)	50 g (ASTM 1) / 2 g (ASTM 1)	100 g (ASTM 1) / 5 g (ASTM 1)

▲ after adjustment with internal weight

▼ determined at 5% load, k = 2

	MA54	MA54E	MA104	MA104E
<b>Limit values</b>				
Capacity	52 g	52 g	120 g	120 g
Nominal load	50 g	50 g	100 g	100 g
Readability	0.1 mg	0.1 mg	0.1 mg	0.1 mg
Capacity of fine range	–	–	–	–
Readability in fine range	–	–	–	–
Repeatability (at 5% load)	0.1 mg	0.1 mg	0.1 mg	0.1 mg
Linearity deviation	0.2 mg	0.2 mg	0.2 mg	0.2 mg
Eccentricity deviation (at test load)	0.4 mg (20 g)	0.4 mg (20 g)	0.4 mg (50 g)	0.4 mg (50 g)
Sensitivity offset (at nominal load) ▲	0.3 mg	0.3 mg	0.5 mg	0.5 mg
Sensitivity temperature drift	0.0002%/°C	0.0002%/°C	0.0002%/°C	0.0002%/°C
<b>Typical values</b>				
Repeatability (at 5% load)	0.08 mg	0.08 mg	0.08 mg	0.08 mg
Linearity deviation	0.06 mg	0.06 mg	0.06 mg	0.06 mg
Eccentricity deviation (at test load)	0.12 mg (20 g)	0.12 mg (20 g)	0.12 mg (50 g)	0.12 mg (50 g)
Sensitivity offset (at nominal load) ▲	0.15 mg	–	0.3 mg	–
Minimum weight (USP, tolerance = 0.10%) ▼	160 mg	160 mg	160 mg	160 mg
Minimum weight (tolerance = 1%) ▼	16 mg	16 mg	16 mg	16 mg
Settling time	2 s	2 s	2 s	2 s
<b>Dimensions and other specifications</b>				
Balance dimensions (W × D × H)	209 × 354 × 354 mm	209 × 354 × 354 mm	209 × 354 × 354 mm	209 × 354 × 354 mm
Weighing pan diameter	90 mm	90 mm	90 mm	90 mm
Usable height of draft shield	238 mm	238 mm	238 mm	238 mm
Balance weight	5.6 kg	5.4 kg	5.6 kg	5.4 kg
<b>Weights for routine testing</b>				
Weights (OIML class)	50 g (F2) / 2 g (F2)	50 g (F2) / 2 g (F2)	100 g (F2) / 5 g (F2)	100 g (F2) / 5 g (F2)
Weights (ASTM class)	50 g (ASTM 1) / 2 g (ASTM 1)	50 g (ASTM 1) / 2 g (ASTM 1)	100 g (ASTM 1) / 5 g (ASTM 1)	100 g (ASTM 1) / 5 g (ASTM 1)

▲ after adjustment with internal weight

▼ determined at 5% load, k = 2

	MA204	MA204E
<b>Limit values</b>		
Capacity	220 g	220 g
Nominal load	200 g	200 g
Readability	0.1 mg	0.1 mg
Capacity of fine range	–	–
Readability in fine range	–	–
Repeatability (at 5% load)	0.1 mg	0.1 mg
Linearity deviation	0.2 mg	0.2 mg
Eccentricity deviation (at test load)	0.4 mg (100 g)	0.4 mg (100 g)
Sensitivity offset (at nominal load) ▲	0.8 mg	0.8 mg
Sensitivity temperature drift	0.0002%/°C	0.0002%/°C
<b>Typical values</b>		
Repeatability (at 5% load)	0.08 mg	0.08 mg
Linearity deviation	0.06 mg	0.06 mg
Eccentricity deviation (at test load)	0.12 mg (100 g)	0.12 mg (100 g)
Sensitivity offset (at nominal load) ▲	0.5 mg	–
Minimum weight (USP, tolerance = 0.10%) ▼	160 mg	160 mg
Minimum weight (tolerance = 1%) ▼	16 mg	16 mg
Settling time	2 s	2 s
<b>Dimensions and other specifications</b>		
Balance dimensions (W × D × H)	209 × 354 × 354 mm	209 × 354 × 354 mm
Weighing pan diameter	90 mm	90 mm
Usable height of draft shield	238 mm	238 mm
Balance weight	5.6 kg	5.4 kg
<b>Weights for routine testing</b>		
Weights (OIML class)	200 g (F2) / 10 g (F2)	200 g (F2) / 10 g (F2)
Weights (ASTM class)	200 g (ASTM 1) / 10 g (ASTM 1)	200 g (ASTM 1) / 10 g (ASTM 1)

▲ after adjustment with internal weight

▼ determined at 5% load, k = 2

## 9.2.2 Precision balances, readability 1 mg

	MA103	MA103E	MA203	MA203E
<b>Limit values</b>				
Capacity	120 g	120 g	220 g	220 g
Nominal load	100 g	100 g	200 g	200 g
Readability	1 mg	1 mg	1 mg	1 mg
Capacity of fine range	–	–	–	–
Readability in fine range	–	–	–	–
Repeatability (at 5% load)	1 mg	1 mg	1 mg	1 mg
Linearity deviation	2 mg	2 mg	2 mg	2 mg
Eccentricity deviation (at test load)	4 mg (50 g)	4 mg (50 g)	4 mg (100 g)	4 mg (100 g)
Sensitivity offset (at nominal load) ▲	6 mg	6 mg	8 mg	8 mg
Sensitivity temperature drift	0.0003%/°C	0.0003%/°C	0.0003%/°C	0.0003%/°C
<b>Typical values</b>				
Repeatability (at 5% load)	0.7 mg	0.7 mg	0.7 mg	0.7 mg
Linearity deviation	0.6 mg	0.6 mg	0.6 mg	0.6 mg
Eccentricity deviation (at test load)	1.2 mg (50 g)	1.2 mg (50 g)	1.2 mg (100 g)	1.2 mg (100 g)
Sensitivity offset (at nominal load) ▲	4 mg	–	5 mg	–
Minimum weight (USP, tolerance = 0.10%) ▼	1.4 g	1.4 g	1.4 g	1.4 g
Minimum weight (tolerance = 1%) ▼	140 mg	140 mg	140 mg	140 mg
Settling time	1.5 s	1.5 s	1.5 s	1.5 s
<b>Dimensions and other specifications</b>				
Balance dimensions (W × D × H)	209 × 354 × 354 mm	209 × 354 × 354 mm	209 × 354 × 354 mm	209 × 354 × 354 mm
Weighing pan diameter	120 mm	120 mm	120 mm	120 mm
Usable height of draft shield	236 mm	236 mm	236 mm	236 mm
Balance weight	5.8 kg	5.6 kg	5.8 kg	5.6 kg
<b>Weights for routine testing</b>				
Weights (OIML class)	100 g (F2) / 5 g (F2)	100 g (F2) / 5 g (F2)	200 g (F2) / 10 g (F2)	200 g (F2) / 10 g (F2)
Weights (ASTM class)	100 g (ASTM 1) / 5 g (ASTM 1)	100 g (ASTM 1) / 5 g (ASTM 1)	200 g (ASTM 1) / 10 g (ASTM 1)	200 g (ASTM 1) / 10 g (ASTM 1)

▲ after adjustment with internal weight

▼ determined at 5% load, k = 2

	MA303	MA303E	MA503	MA503E
<b>Limit values</b>				
Capacity	320 g	320 g	520 g	520 g
Nominal load	300 g	300 g	500 g	500 g
Readability	1 mg	1 mg	1 mg	1 mg
Capacity of fine range	–	–	–	–
Readability in fine range	–	–	–	–
Repeatability (at 5% load)	1 mg	1 mg	1 mg	1 mg
Linearity deviation	2 mg	2 mg	2 mg	2 mg
Eccentricity deviation (at test load)	4 mg (100 g)	4 mg (100 g)	4 mg (200 g)	4 mg (200 g)
Sensitivity offset (at nominal load) ▲	8 mg	8 mg	8 mg	8 mg
Sensitivity temperature drift	0.0003%/°C	0.0003%/°C	0.0003%/°C	0.0003%/°C
<b>Typical values</b>				
Repeatability (at 5% load)	0.7 mg	0.7 mg	0.7 mg	0.7 mg
Linearity deviation	0.6 mg	0.6 mg	0.6 mg	0.6 mg
Eccentricity deviation (at test load)	1.2 mg (100 g)	1.2 mg (100 g)	1.2 mg (200 g)	1.2 mg (200 g)
Sensitivity offset (at nominal load) ▲	5 mg	–	5 mg	–
Minimum weight (USP, tolerance = 0.10%) ▼	1.4 g	1.4 g	1.4 g	1.4 g
Minimum weight (tolerance = 1%) ▼	140 mg	140 mg	140 mg	140 mg
Settling time	1.5 s	1.5 s	1.5 s	1.5 s
<b>Dimensions and other specifications</b>				
Balance dimensions (W × D × H)	209 × 354 × 354 mm	209 × 354 × 354 mm	209 × 354 × 354 mm	209 × 354 × 354 mm
Weighing pan diameter	120 mm	120 mm	120 mm	120 mm
Usable height of draft shield	236 mm	236 mm	236 mm	236 mm
Balance weight	5.8 kg	5.6 kg	5.8 kg	5.6 kg
<b>Weights for routine testing</b>				
Weights (OIML class)	200 g (F2) / 10 g (F2)	200 g (F2) / 10 g (F2)	500 g (F2) / 20 g (F2)	500 g (F2) / 20 g (F2)
Weights (ASTM class)	200 g (ASTM 1) / 10 g (ASTM 1)	200 g (ASTM 1) / 10 g (ASTM 1)	500 g (ASTM 1) / 20 g (ASTM 1)	500 g (ASTM 1) / 20 g (ASTM 1)

▲ after adjustment with internal weight

▼ determined at 5% load, k = 2

### 9.2.3 Precision balances, readability 10 mg or 100 mg

	MA602	MA602E	MA1002	MA1002E
<b>Limit values</b>				
Capacity	620 g	620 g	1.2 kg	1.2 kg
Nominal load	600 g	600 g	1 kg	1 kg
Readability	10 mg	10 mg	10 mg	10 mg
Capacity of fine range	–	–	–	–
Readability in fine range	–	–	–	–
Repeatability (at 5% load)	10 mg	10 mg	10 mg	10 mg
Linearity deviation	20 mg	20 mg	20 mg	20 mg
Eccentricity deviation (at test load)	30 g (200 g)	30 g (200 g)	30 g (500 g)	30 g (500 g)
Sensitivity offset (at nominal load) ▲	40 mg	40 mg	60 mg	60 mg
Sensitivity temperature drift	0.0003%/°C	0.0003%/°C	0.0003%/°C	0.0003%/°C
<b>Typical values</b>				
Repeatability (at 5% load)	7 mg	7 mg	7 mg	7 mg
Linearity deviation	6 mg	6 mg	6 mg	6 mg
Eccentricity deviation (at test load)	10 mg (200 g)	10 mg (200 g)	10 mg (500 g)	10 mg (500 g)
Sensitivity offset (at nominal load) ▲	25 mg	–	40 mg	–
Minimum weight (USP, tolerance = 0.10%) ▼	14 g	14 g	14 g	14 g
Minimum weight (tolerance = 1%) ▼	1.4 g	1.4 g	1.4 g	1.4 g
Settling time	1 s	1 s	1 s	1 s
<b>Dimensions and other specifications</b>				
Balance dimensions (W × D × H)	209 × 354 × 100 mm	209 × 354 × 100 mm	209 × 354 × 100 mm	209 × 354 × 100 mm
Weighing pan dimensions (W × D)	180 × 180 mm	180 × 180 mm	180 × 180 mm	180 × 180 mm
Usable height of draft shield	–	–	–	–
Balance weight	4.1 kg	3.9 kg	4.1 kg	3.9 kg
<b>Weights for routine testing</b>				
Weights (OIML class)	500 g (F2) / 20 g (F2)	500 g (F2) / 20 g (F2)	1 kg (F2) / 50 g (F2)	1 kg (F2) / 50 g (F2)
Weights (ASTM class)	500 g (ASTM 1) / 20 g (ASTM 1)	500 g (ASTM 1) / 20 g (ASTM 1)	1 kg (ASTM 1) / 50 g (ASTM 1)	1 kg (ASTM 1) / 50 g (ASTM 1)

▲ after adjustment with internal weight

▼ determined at 5% load, k = 2

	MA2002	MA2002E	MA3002	MA3002E
<b>Limit values</b>				
Capacity	2.2 kg	2.2 kg	3.2 kg	3.2 kg
Nominal load	2 kg	2 kg	3 kg	3 kg
Readability	10 mg	10 mg	10 mg	10 mg
Capacity of fine range	–	–	–	–
Readability in fine range	–	–	–	–
Repeatability (at 5% load)	10 mg	10 mg	10 mg	10 mg
Linearity deviation	20 mg	20 mg	20 mg	20 mg
Eccentricity deviation (at test load)	30 mg (1 kg)	30 mg (1 kg)	40 mg (1 kg)	40 mg (1 kg)
Sensitivity offset (at nominal load) ▲	80 g	80 mg	80 kg	80 mg
Sensitivity temperature drift	0.0003%/°C	0.0003%/°C	0.0003%/°C	0.0003%/°C
<b>Typical values</b>				
Repeatability (at 5% load)	7 mg	7 mg	7 mg	7 mg
Linearity deviation	6 mg	6 mg	6 mg	6 mg
Eccentricity deviation (at test load)	10 mg (1 kg)	10 mg (1 kg)	12 mg (1 kg)	12 mg (1 kg)
Sensitivity offset (at nominal load) ▲	50 mg	–	50 mg	–
Minimum weight (USP, tolerance = 0.10%) ▼	14 g	14 g	14 g	14 g
Minimum weight (tolerance = 1%) ▼	1.4 g	1.4 g	1.4 g	1.4 g
Settling time	1 s	1 s	1 s	1 s
<b>Dimensions and other specifications</b>				
Balance dimensions (W × D × H)	209 × 354 × 100 mm	209 × 354 × 100 mm	209 × 354 × 100 mm	209 × 354 × 100 mm
Weighing pan dimensions (W × D)	180 × 180 mm	180 × 180 mm	180 × 180 mm	180 × 180 mm
Usable height of draft shield	–	–	–	–
Balance weight	4.1 kg	3.9 kg	4.1 kg	3.9 kg
<b>Weights for routine testing</b>				
Weights (OIML class)	2000 g (F2) / 100 g (F2)	2000 g (F2) / 100 g (F2)	2 kg (F2) / 100 g (F2)	2 kg (F2) / 100 g (F2)
Weights (ASTM class)	2000 g (ASTM 1) / 100 g (ASTM 1)	2000 g (ASTM 1) / 100 g (ASTM 1)	2 kg (ASTM 1) / 100 g (ASTM 1)	2 kg (ASTM 1) / 100 g (ASTM 1)

▲ after adjustment with internal weight

▼ determined at 5% load, k = 2

	MA4002	MA4002E	MA6002	MA6002E
<b>Limit values</b>				
Capacity	4.2 kg	4.2 kg	6.2 kg	6.2 kg
Nominal load	4 kg	4 kg	6 kg	6 kg
Readability	10 mg	10 mg	10 mg	10 mg
Capacity of fine range	–	–	–	–
Readability in fine range	–	–	–	–
Repeatability (at 5% load)	10 mg	10 mg	10 mg	10 mg
Linearity deviation	20 mg	20 mg	20 mg	20 mg
Eccentricity deviation (at test load)	40 g (2 kg)	40 g (2 kg)	40 mg (2 kg)	40 mg (2 kg)
Sensitivity offset (at nominal load) ▲	80 mg	80 mg	80 mg	80 mg
Sensitivity temperature drift	0.0003%/°C	0.0003%/°C	0.0003%/°C	0.0003%/°C
<b>Typical values</b>				
Repeatability (at 5% load)	7 mg	7 mg	7 mg	7 mg
Linearity deviation	6 mg	6 mg	6 mg	6 mg
Eccentricity deviation (at test load)	12 mg (2 kg)	12 mg (2 kg)	12 mg (2 kg)	12 mg (2 kg)
Sensitivity offset (at nominal load) ▲	50 mg	–	50 mg	–
Minimum weight (USP, tolerance = 0.10%) ▼	14 g	14 g	14 g	14 g
Minimum weight (tolerance = 1%) ▼	1.4 g	1.4 g	1.4 g	1.4 g
Settling time	1 s	1 s	1 s	1 s
<b>Dimensions and other specifications</b>				
Balance dimensions (W × D × H)	209 × 354 × 100 mm	209 × 354 × 100 mm	209 × 354 × 100 mm	209 × 354 × 100 mm
Weighing pan dimensions (W × D)	180 × 180 mm	180 × 180 mm	180 × 180 mm	180 × 180 mm
Usable height of draft shield	–	–	–	–
Balance weight	4.1 kg	3.9 kg	4.1 kg	3.9 kg
<b>Weights for routine testing</b>				
Weights (OIML class)	2 kg (F2) / 200 g (F2)	2 kg (F2) / 200 g (F2)	5 kg (F2) / 200 g (F2)	5 kg (F2) / 200 g (F2)
Weights (ASTM class)	2 kg (ASTM 1) / 200 g (ASTM 1)	2 kg (ASTM 1) / 200 g (ASTM 1)	5 kg (ASTM 4) / 200 g (ASTM 4)	5 kg (ASTM 4) / 200 g (ASTM 4)

▲ after adjustment with internal weight

▼ determined at 5% load, k = 2



	MA5001	MA5001E
<b>Limit values</b>		
Capacity	5.2 kg	5.2 kg
Nominal load	5 kg	5 kg
Readability	100 mg	100 mg
Capacity of fine range	–	–
Readability in fine range	–	–
Repeatability (at 5% load)	80 mg	80 mg
Linearity deviation	60 mg	60 mg
Eccentricity deviation (at test load)	300 mg (2 kg)	300 mg (2 kg)
Sensitivity offset (at nominal load) ▲	240 mg	240 mg
Sensitivity temperature drift	0.0015%/°C	0.0015%/°C
<b>Typical values</b>		
Repeatability (at 5% load)	50 mg	50 mg
Linearity deviation	20 mg	20 mg
Eccentricity deviation (at test load)	100 mg (2 kg)	100 mg (2 kg)
Sensitivity offset (at nominal load) ▲	150 mg	–
Minimum weight (USP, tolerance = 0.10%) ▼	100 g	100 g
Minimum weight (tolerance = 1%) ▼	10 g	10 g
Settling time	1 s	1 s
<b>Dimensions and other specifications</b>		
Balance dimensions (W × D × H)	209 × 354 × 100 mm	209 × 354 × 100 mm
Weighing pan dimensions (W × D)	180 × 180 mm	180 × 180 mm
Usable height of draft shield	–	–
Balance weight	4.1 kg	3.9 kg
<b>Weights for routine testing</b>		
Weights (OIML class)	5 kg (F2) / 200 g (F2)	5 kg (F2) / 200 g (F2)
Weights (ASTM class)	5 kg (ASTM 4) / 200 g (ASTM 4)	5 kg (ASTM 4) / 200 g (ASTM 4)

▲ after adjustment with internal weight

▼ determined at 5% load, k = 2

## 9.2.4 Precision balances, large

	MA12001L	MA16001L	MA32001L	MA32000L
<b>Limit values</b>				
Capacity	12.2 kg	16.2 kg	32.2 kg	32.2 kg
Nominal load	12 kg	16 kg	30 kg	30 kg
Readability	100 mg	100 mg	100 mg	1 g
Capacity of fine range	–	–	–	–
Readability in fine range	–	–	–	–
Repeatability (at 5% load)	80 mg	80 mg	80 mg	600 mg
Linearity deviation	200 mg	200 mg	250 mg	300 mg
Eccentricity deviation (at test load)	300 mg (5 kg)	300 mg (5 kg)	300 mg (10 kg)	1 g (10 kg)
Sensitivity offset (at nominal load) ▲	600 mg	800 mg	900 mg	1 g
Sensitivity temperature drift	0.0015%/°C	0.0015%/°C	0.0015%/°C	0.0015%/°C
<b>Typical values</b>				
Repeatability (at 5% load)	40 mg	40 mg	40 mg	400 mg
Linearity deviation	60 mg	60 mg	80 mg	100 mg
Eccentricity deviation (at test load)	100 mg (5 kg)	100 mg (5 kg)	100 mg (10 kg)	300 mg (10 kg)
Sensitivity offset (at nominal load) ▲	400 mg	500 mg	550 mg	650 mg
Minimum weight (USP, tolerance = 0.10%) ▼	82 g	82 g	82 g	820 g
Minimum weight (tolerance = 1%) ▼	8.2 g	8.2 g	8.2 g	82 g
Settling time	1.5 s	1.5 s	1.5 s	1.2 s
<b>Dimensions and other specifications</b>				
Balance dimensions (W × D × H)	354 × 380 × 126 mm	354 × 380 × 126 mm	354 × 380 × 126 mm	354 × 380 × 126 mm
Weighing pan dimensions (W × D)	352 × 246 mm	352 × 246 mm	352 × 246 mm	352 × 246 mm
Usable height of draft shield	–	–	–	–
Balance weight	11.3 kg	11.3 kg	11.3 kg	11.3 kg
<b>Weights for routine testing</b>				
Weights (OIML class)	10 kg (F2) / 500 g (F2)	10 kg (F2) / 500 g (F2)	20 kg (F2) / 1 kg (F2)	20 kg (F2) / 1 kg (F2)
Weights (ASTM class)	10 kg (ASTM 4) / 500 g (ASTM 4)	10 kg (ASTM 4) / 500 g (ASTM 4)	20 kg (ASTM 4) / 1 kg (ASTM 4)	20 kg (ASTM 4) / 1 kg (ASTM 4)

▲ after adjustment with internal weight

▼ determined at 5% load, k = 2

## 9.2.5 Precision balances, compact

	MA602P	MA602PE	MA2002P	MA2002PE
<b>Limit values</b>				
Capacity	620 g	620 g	2.2 kg	2.2 kg
Nominal load	600 g	600 g	2 kg	2 kg
Readability	10 mg	10 mg	10 mg	10 mg
Capacity of fine range	–	–	–	–
Readability in fine range	–	–	–	–
Repeatability (at 5% load)	10 mg	10 mg	10 mg	10 mg
Linearity deviation	20 mg	20 mg	20 mg	20 mg
Eccentricity deviation (at test load)	0.03 g (200 g)	0.03 g (200 g)	30 mg (1 kg)	30 mg (1 kg)
Sensitivity offset (at nominal load) ▲	40 mg	40 mg	80 mg	80 mg
Sensitivity temperature drift	0.001%/°C	0.001%/°C	0.001%/°C	0.001%/°C
<b>Typical values</b>				
Repeatability (at 5% load)	7 mg	7 mg	7 mg	7 mg
Linearity deviation	6 mg	6 mg	6 mg	6 mg
Eccentricity deviation (at test load)	10 mg (200 g)	10 mg (200 g)	10 mg (1 kg)	10 mg (1 kg)
Sensitivity offset (at nominal load) ▲	25 mg	–	50 mg	–
Minimum weight (USP, tolerance = 0.10%) ▼	14 g	14 g	14 g	14 g
Minimum weight (tolerance = 1%) ▼	1.4 g	1.4 g	1.4 g	1.4 g
Settling time	1.5 s	1.5 s	1.5 s	1.5 s
<b>Dimensions and other specifications</b>				
Balance dimensions (W × D × H)	177 × 253 × 74 mm	177 × 253 × 74 mm	177 × 253 × 74 mm	177 × 253 × 74 mm
Weighing pan dimensions (W × D)	160 × 160 mm	160 × 160 mm	160 × 160 mm	160 × 160 mm
Usable height of draft shield	–	–	–	–
Balance weight	1.8 kg	1.6 kg	1.8 kg	1.6 kg
<b>Weights for routine testing</b>				
Weights (OIML class)	500 g (F2) / 20 g (F2)	500 g (F2) / 20 g (F2)	2 kg (F2) / 100 g (F2)	2 kg (F2) / 100 g (F2)
Weights (ASTM class)	500 g (ASTM 1) / 20 g (ASTM 1)	500 g (ASTM 1) / 20 g (ASTM 1)	2 kg (ASTM 1) / 100 g (ASTM 1)	2 kg (ASTM 1) / 100 g (ASTM 1)

▲ after adjustment with internal weight

▼ determined at 5% load, k = 2

	MA6001P	MA6001PE
<b>Limit values</b>		
Capacity	6.2 kg	6.2 kg
Nominal load	6 kg	6 kg
Readability	100 mg	100 mg
Capacity of fine range	–	–
Readability in fine range	–	–
Repeatability (at 5% load)	100 mg	100 mg
Linearity deviation	200 mg	200 mg
Eccentricity deviation (at test load)	300 mg (2 kg)	300 mg (2 kg)
Sensitivity offset (at nominal load) ▲	400 mg	400 mg
Sensitivity temperature drift	0.0015%/°C	0.0015%/°C
<b>Typical values</b>		
Repeatability (at 5% load)	70 mg	70 mg
Linearity deviation	60 mg	60 mg
Eccentricity deviation (at test load)	100 mg (2 kg)	100 mg (2 kg)
Sensitivity offset (at nominal load) ▲	250 mg	–
Minimum weight (USP, tolerance = 0.10%) ▼	140 g	140 g
Minimum weight (tolerance = 1%) ▼	14 g	14 g
Settling time	1 s	1 s
<b>Dimensions and other specifications</b>		
Balance dimensions (W × D × H)	177 × 253 × 74 mm	177 × 253 × 74 mm
Weighing pan dimensions (W × D)	160 × 160 mm	160 × 160 mm
Usable height of draft shield	–	–
Balance weight	1.8 kg	1.6 kg
<b>Weights for routine testing</b>		
Weights (OIML class)	5 kg (F2) / 200 g (F2)	5 kg (F2) / 200 g (F2)
Weights (ASTM class)	5 kg (ASTM 4) / 200 g (ASTM 4)	5 kg (ASTM 4) / 200 g (ASTM 4)

▲ after adjustment with internal weight

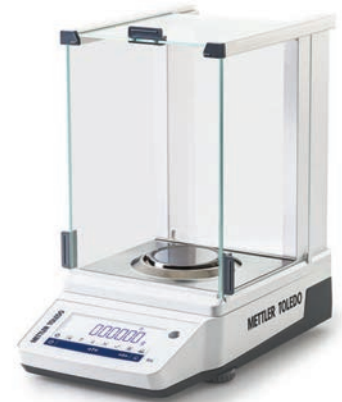
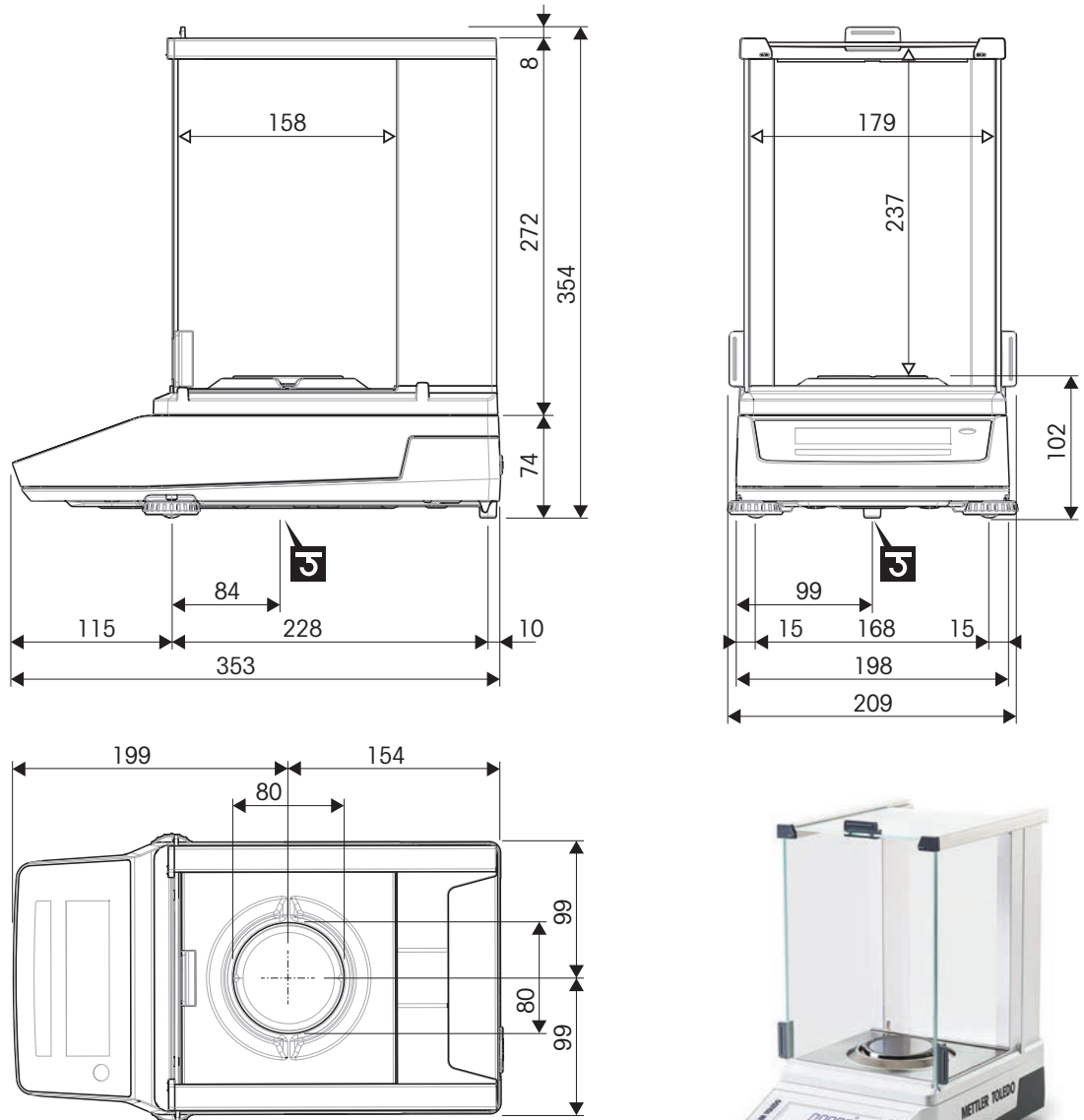
▼ determined at 5% load, k = 2

### 9.3 Dimensions

Dimensions in mm.

#### 9.3.1 MA analytical balances, readability 0.01 mg

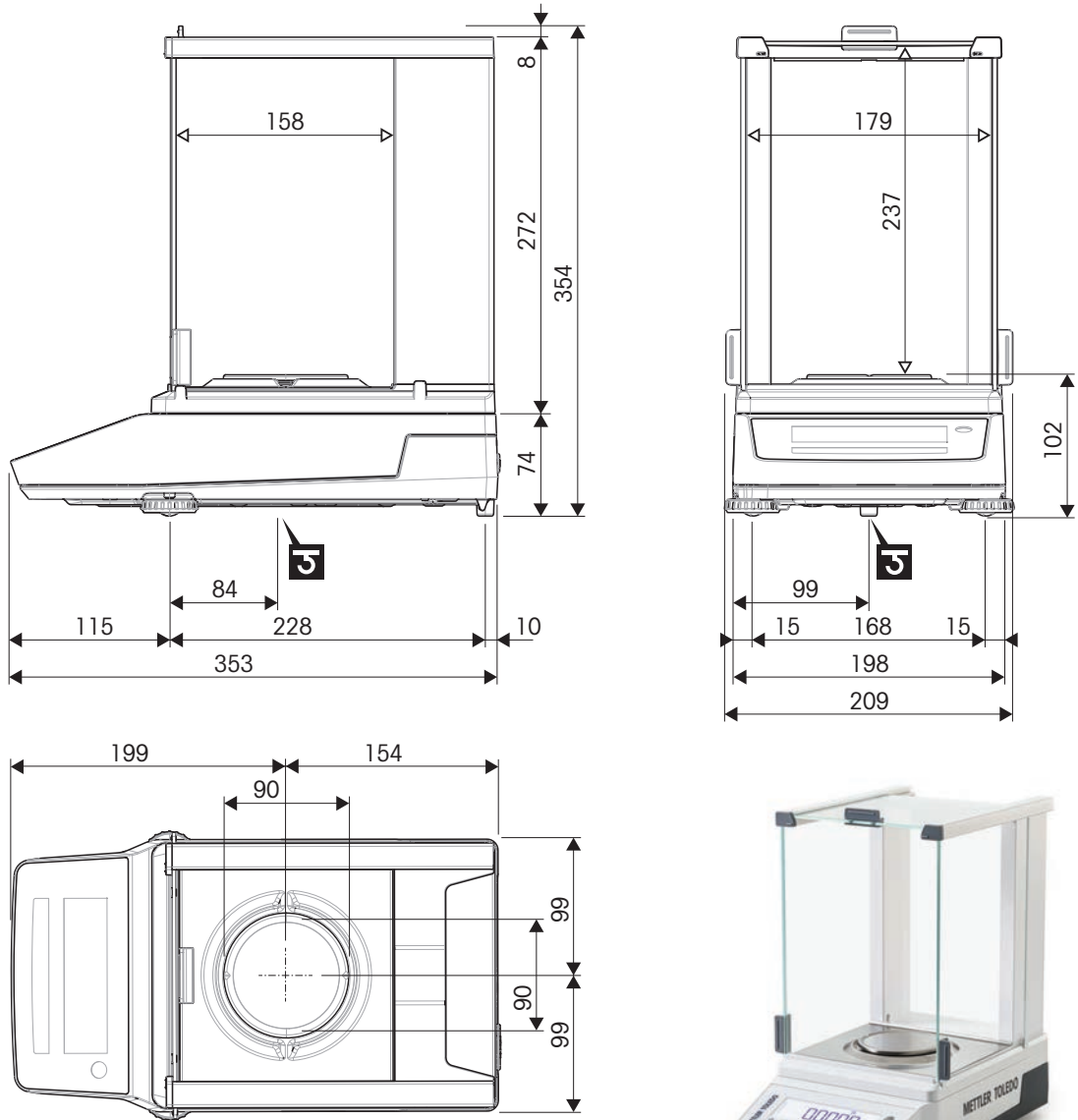
Balance models: MA55, MA95, MA155DU



	Outer dimensions [mm]
	Clear dimensions [mm]
	Position of the weighing hook axle

### 9.3.2 MA analytical balances, readability 0.1 mg

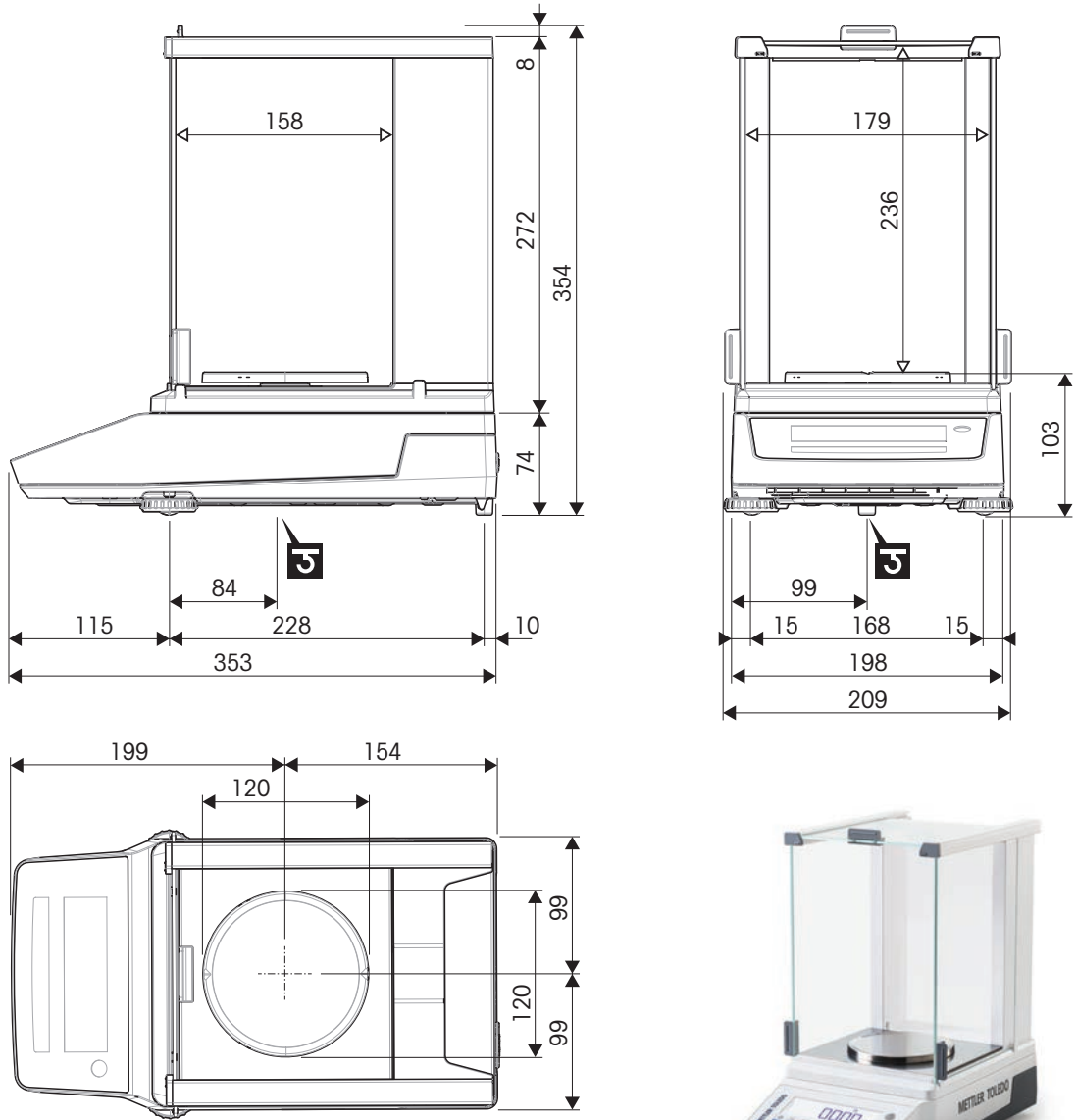
Balance models: MA54, MA54E, MA104, MA104E, MA204, MA204E



↔	Outer dimensions [mm]
↔	Clear dimensions [mm]
<b>J</b>	Position of the weighing hook axle

### 9.3.3 MA precision balances, small, readability 1 mg

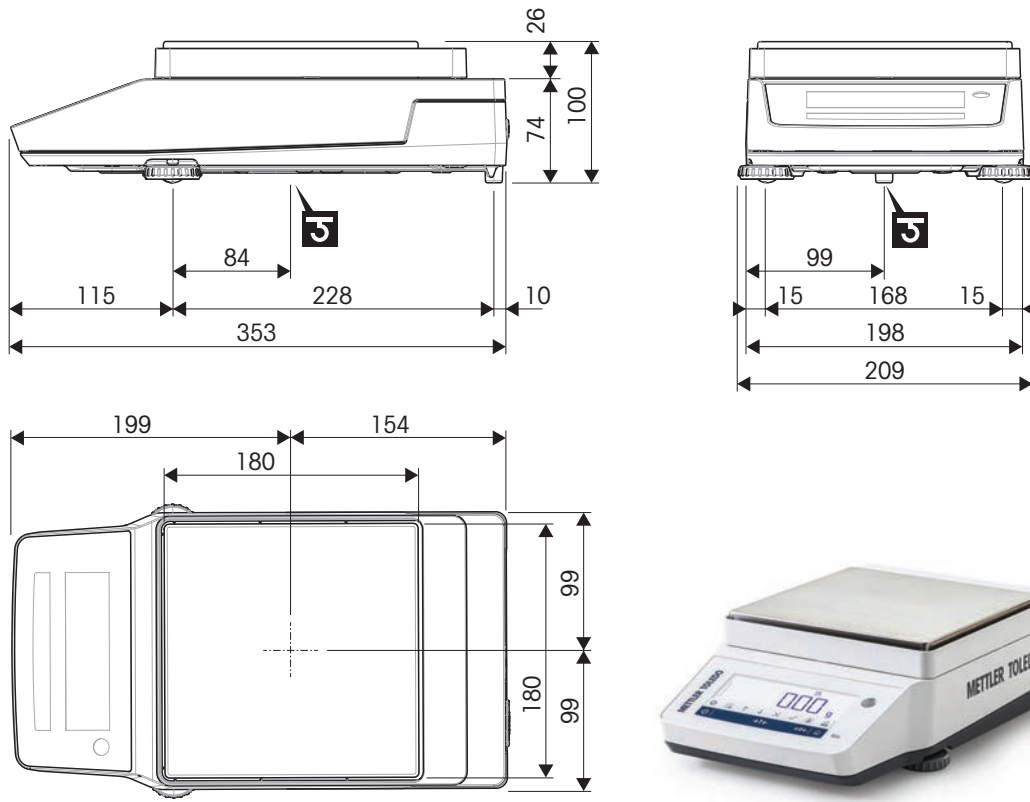
Balance models: MA103, MA103E, MA203, MA203E, MA303, MA303E, MA503, MA503E



↔	Outer dimensions [mm]
◁ ▷	Clear dimensions [mm]
	Position of the weighing hook axle

### 9.3.4 MA precision balances, small, readability 10 mg / 100 mg

Balances models: MA602, MA602E, MA1002, MA1002E, MA2002, MA2002E, MA3002, MA3002E, MA4002, MA4002E, MA6002, MA6002E, MA5001, MA5001E

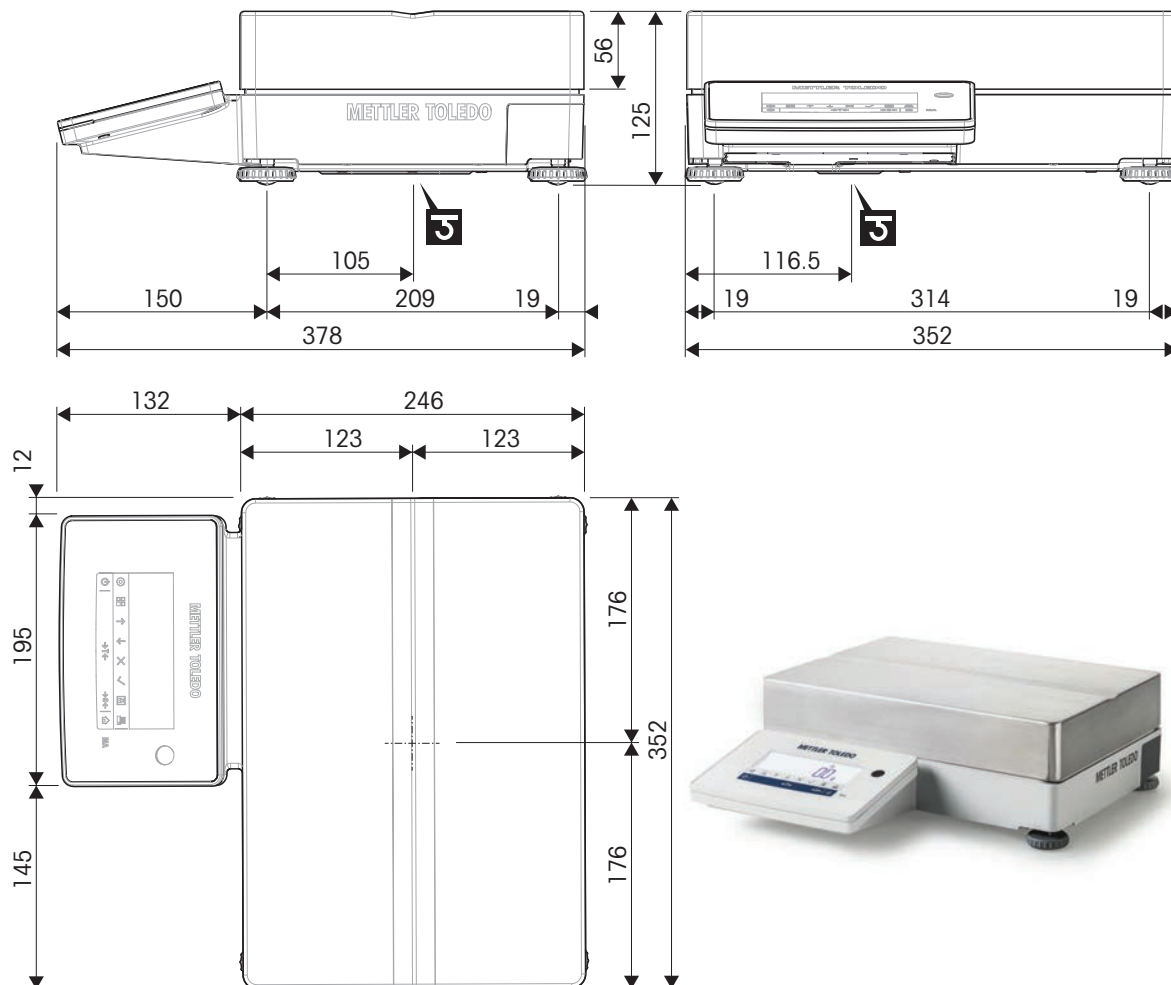


	Outer dimensions [mm]
	Clear dimensions [mm]
	Position of the weighing hook axle



### 9.3.5 MA precision balances, large, readability 100 mg / 1 g

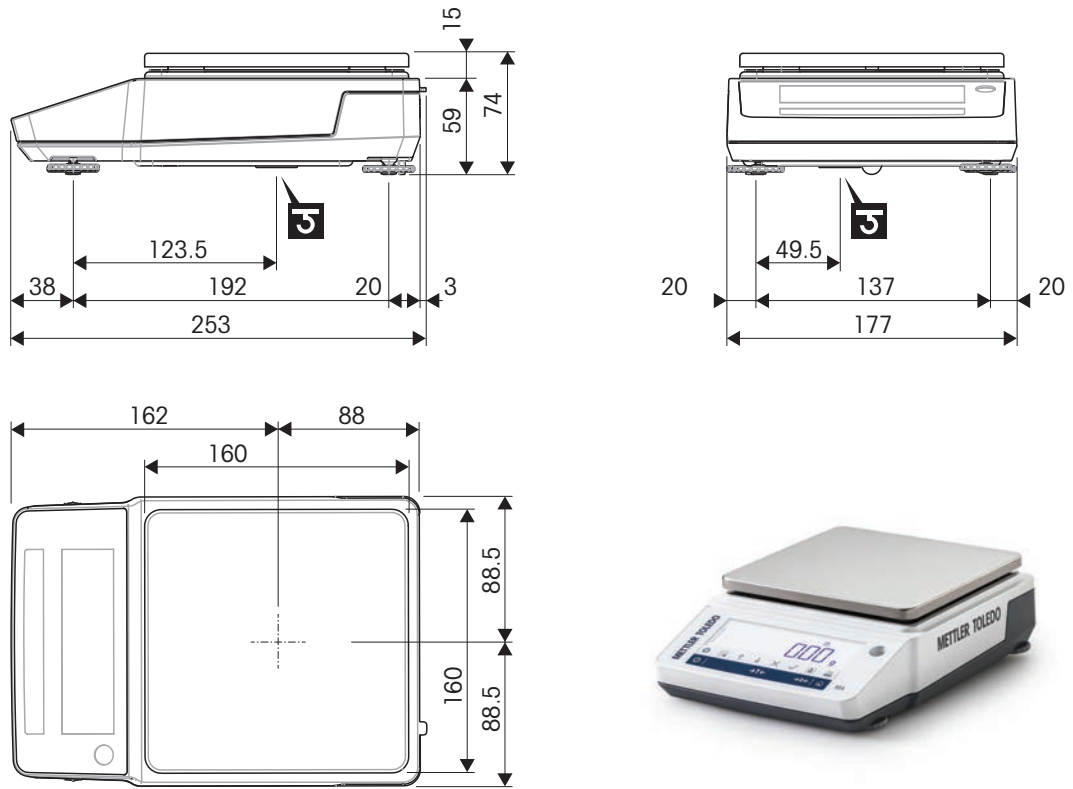
Balance models: MA12001L, MA16001L, MA32001L, MA32000L



	Outer dimensions [mm]
	Clear dimensions [mm]
	Position of the weighing hook axle

### 9.3.6 MA precision balances, compact, readability 10 mg / 100 mg

Balance models: MA602P, MA602PE, MA2002P, MA2002PE, MA6001P, MA6001PE



↔	Outer dimensions [mm]
◁ ▷	Clear dimensions [mm]
<b>3</b>	Position of the weighing hook axle

## 10 Accessories and Spare Parts

### 10.1 Accessories

Accessories are additional components that could help you in your workflow.

#### Antistatic kits

	<b>Antistatic kit universal</b> <span style="float: right;"><b>63052302</b></span> <ul style="list-style-type: none"><li>• Removes electrostatic charges from weighing samples and tare containers</li><li>• Including: U-electrode large (with installation instructions), high-voltage power supply (with user manual and country-specific power cable)</li></ul>
	<b>High-voltage power supply</b> <span style="float: right;"><b>11107766</b></span> <ul style="list-style-type: none"><li>• Supplies up to 2 U-electrodes</li><li>• Including: country-specific power cable, user manual</li><li>• Compatible with: U-electrode large, U-electrode small</li></ul>
	<b>U-electrode large</b> <span style="float: right;"><b>11107764</b></span> <ul style="list-style-type: none"><li>• Removes electrostatic charges from weighing samples and tare containers</li><li>• High-voltage cable with capacitively coupled connector</li></ul>
	<b>U-electrode small</b> <span style="float: right;"><b>11140161</b></span> <ul style="list-style-type: none"><li>• Removes electrostatic charges from weighing samples and tare containers</li><li>• High-voltage cable with capacitively coupled connector</li></ul>
	<b>Ionizer ASK350</b> <span style="float: right;"><b>30893023</b></span> <ul style="list-style-type: none"><li>• Removes small electrostatic charges from weighing samples and tare containers</li></ul>

## Density determination



### Density kit

30706714

- Gravimetric density determination of solids



### Thermometer, calibrated

11132685

- Including: holder, calibration certificate
- For usage in density determination

## Auxiliary displays



### Auxiliary display AD-RS-M7

12122381

- Duplicates the information of the balance display
- Interface: RS232

## Printers



### Printer RS-P25

30702967

- Printing technology: dot matrix



### Printer USB-P25

30702998

- Printing technology: dot matrix



### Printer P-52RUE

30237290

- Printing technology: dot matrix

	<b>Printing paper roll, self-adhesive, dot matrix</b>	<b>11600388</b>
	<ul style="list-style-type: none"> <li>• Set of 3 rolls</li> <li>• Compatible with: dot matrix printers</li> </ul>	
	<b>Printing paper roll, standard, dot matrix</b>	<b>72456</b>
	<ul style="list-style-type: none"> <li>• Set of 5 rolls</li> <li>• Compatible with: dot matrix printers</li> </ul>	
	<b>Ribbon cartridge</b>	<b>65975</b>
	<ul style="list-style-type: none"> <li>• Including: 2 pcs</li> <li>• Compatible with: dot matrix printers</li> </ul>	
<b>Anti-theft devices</b>		
	<b>Anti-theft cable</b>	<b>11600361</b>
<b>Cables</b>		
	<b>Cable RS232 (f) – USB-A (m)</b>	<b>30576241</b>
	<ul style="list-style-type: none"> <li>• Data transfer between balance and peripheral</li> <li>• Length: 1.7 m</li> </ul>	
	<b>Cable RS232 (m) – USB-A (m)</b>	<b>64088427</b>
	<ul style="list-style-type: none"> <li>• Data transfer between balance and peripheral</li> <li>• Length: 2 m</li> </ul>	
	<b>Cable RS9 (m) – RS9 (f)</b>	<b>11101051</b>
	<ul style="list-style-type: none"> <li>• Data transfer between instrument and peripheral</li> <li>• Length: 1 m</li> </ul>	

## Wireless interfaces



### Bluetooth adapter ADP-BT-S, single

**30086494**

- Creates a bluetooth connection between instrument and peripheral



### Bluetooth adapter ADP-BT-P, set

**30086495**

- Creates a bluetooth connection between instrument and peripheral

## Software



EasyDirect Balance

### EasyDirect Balance, 10 licenses

**30540473**

- Data management software for up to 10 balances
- Collection, analysis, storage and export of weighing data



EasyDirect Balance

### EasyDirect Balance, 3 licenses

**30539323**

- Data management software for up to 3 balances
- Collection, analysis, storage and export of weighing data

## Adjustment weights



### Weights

- For routine testing and calibration of weighing instruments
- Available in different accuracy classes
- With calibration certificate (OIML/ASTM)

► [www.mt.com/weights](http://www.mt.com/weights)

## Dust covers



### Dust cover

**30893020**

## Various



### Protective foil

**30706721**

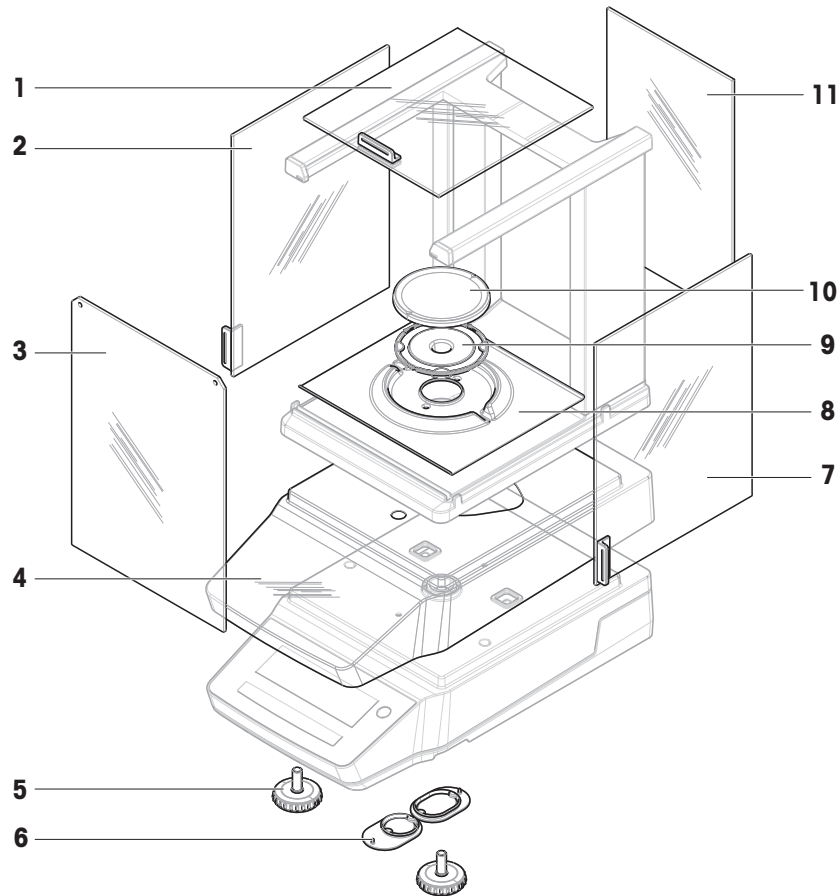
- Protects the weighing pan
- Including: 10 pcs

## 10.2 Spare parts

Spare parts are parts that are delivered with the original instrument but that can be replaced, if needed, without the help of a service technician.

### 10.2.1 MA analytical balances, readability 0.01 mg

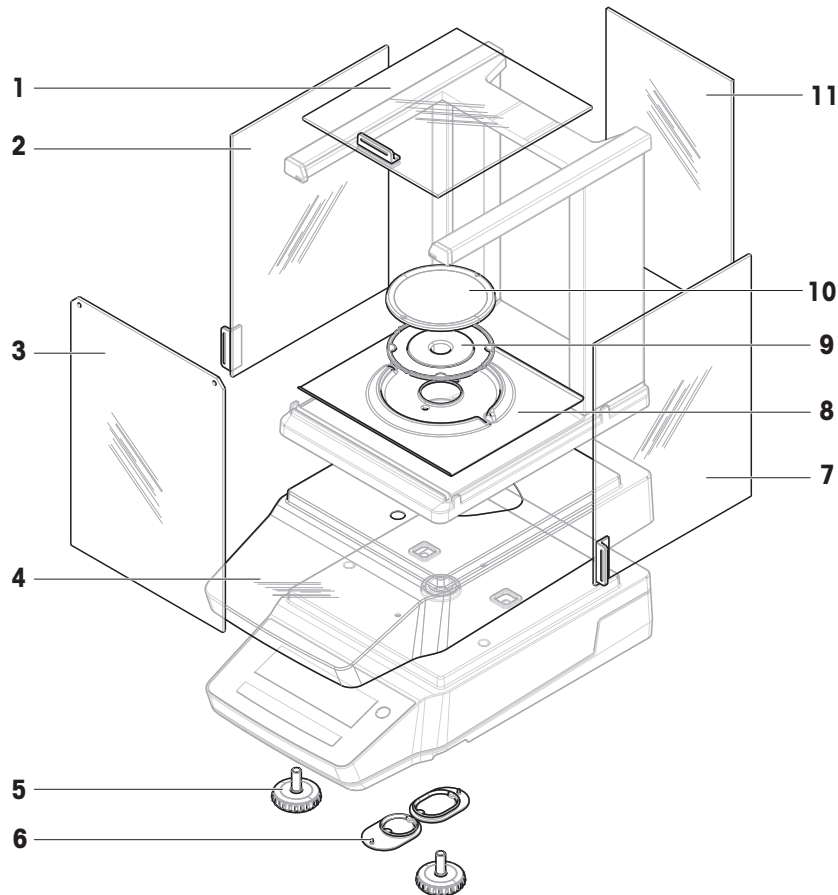
Balance models: MA55, MA95, MA155DU



	Order no.	Designation	Remarks
1	30706623	Door, top	Material: glass; including: door handle
2	30706624	Door, left	Material: glass; including: door handle
3	30706626	Panel, front	Material: glass
4	30706657	Protective cover	–
5	30706696	Leveling foot	Including: 2 pcs
6	30706724	Cover, weighing hook	Including: 1 round cover, 1 oval cover; material: silicone
7	30706625	Door, right	Material: glass; including: door handle
8	30893025	Draft-protection element	For weighing pan $\varnothing$ 80 mm
9	30893028	Pan support $\varnothing$ 80 mm	–
10	30893027	Weighing pan $\varnothing$ 80 mm	Excluding: Pan support
11	30706627	Panel, back	Material: glass

## 10.2.2 MA analytical balances, readability 0.1 mg

Balance models: MA54, MA54E, MA104, MA104E, MA204, MA204E

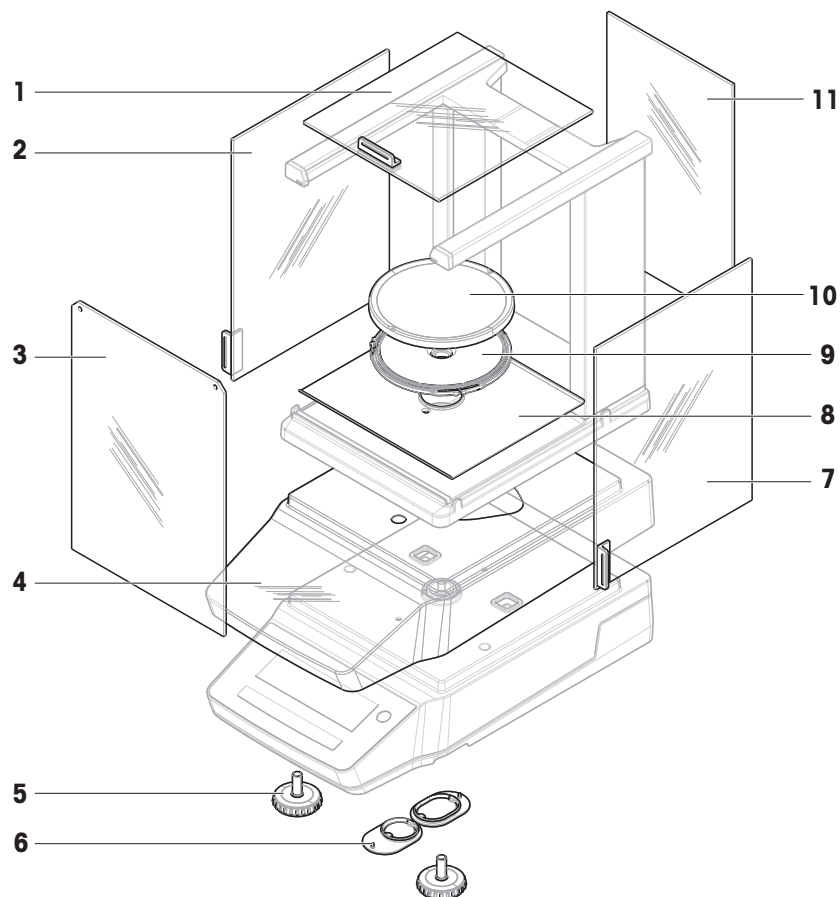


	Order no.	Designation	Remarks
1	30706623	Door, top	Material: glass; including: door handle
2	30706624	Door, left	Material: glass; including: door handle
3	30706626	Panel, front	Material: glass
4	30706657	Protective cover	–
5	30706696	Leveling foot	Including: 2 pcs
6	30706724	Cover, weighing hook	Including: 1 round cover, 1 oval cover; material: silicone
7	30706625	Door, right	Material: glass; including: door handle
8	30706629	Draft-protection element	For weighing pan $\varnothing$ 90 mm
9	30706639	Pan support $\varnothing$ 90 mm	–
10	12122010	Weighing pan $\varnothing$ 90 mm	Excluding: Pan support
11	30706627	Panel, back	Material: glass



### 10.2.3 MA precision balances, small, readability 1 mg

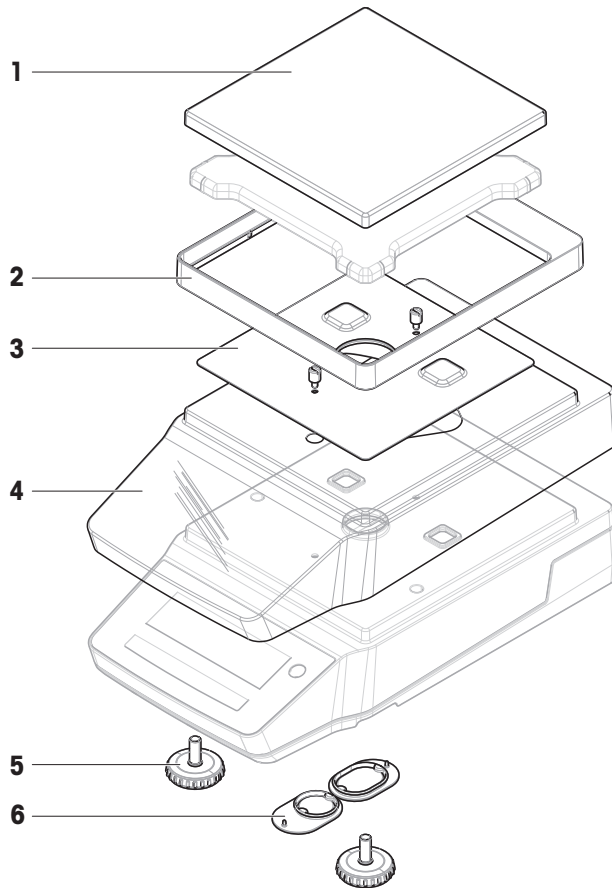
Balance models: MA103, MA103E, MA203, MA203E, MA303, MA303E, MA503, MA503E



	Order no.	Designation	Remarks
1	30706623	Door, top	Material: glass; including: door handle
2	30706624	Door, left	Material: glass; including: door handle
3	30706626	Panel, front	Material: glass
4	30706657	Protective cover	–
5	30706696	Leveling foot	Including: 2 pcs
6	30706724	Cover, weighing hook	Including: 1 round cover, 1 oval cover; material: silicone
7	30706625	Door, right	Material: glass; including: door handle
8	30850022	Base plate	–
9	30706638	Pan support $\varnothing$ 120 mm	–
10	12122037	Weighing pan $\varnothing$ 120 mm	Excluding: pan support
11	30706627	Panel, back	Material: glass

### 10.2.4 MA precision balances, small, readability 10 mg / 100 mg

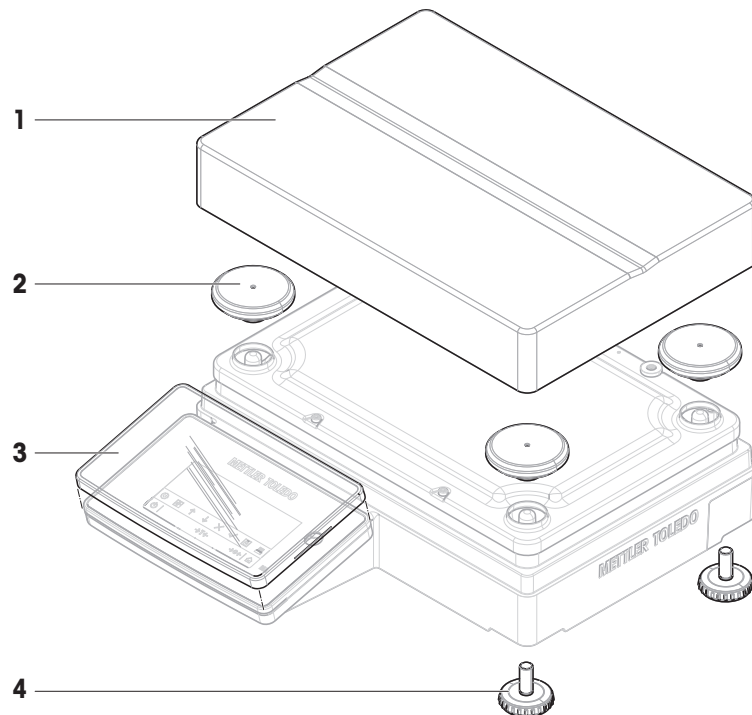
Balances models: MA602, MA602E, MA1002, MA1002E, MA2002, MA2002E, MA3002, MA3002E, MA4002, MA4002E, MA6002, MA6002E, MA5001, MA5001E



	Order no.	Designation	Remarks
1	30535713	Weighing pan 180 x 180 mm	Excluding: pan support
2	30706647	Draft protection element	–
3	30706650	EMC plate	Including: 2 screws
4	30706656	Protective cover	–
5	30706696	Leveling foot	Including: 2 pcs
6	30706724	Cover, weighing hook	Including: 1 round cover, 1 oval cover; material: silicone

## 10.2.5 MA precision balances, large, readability 100 mg / 1 g

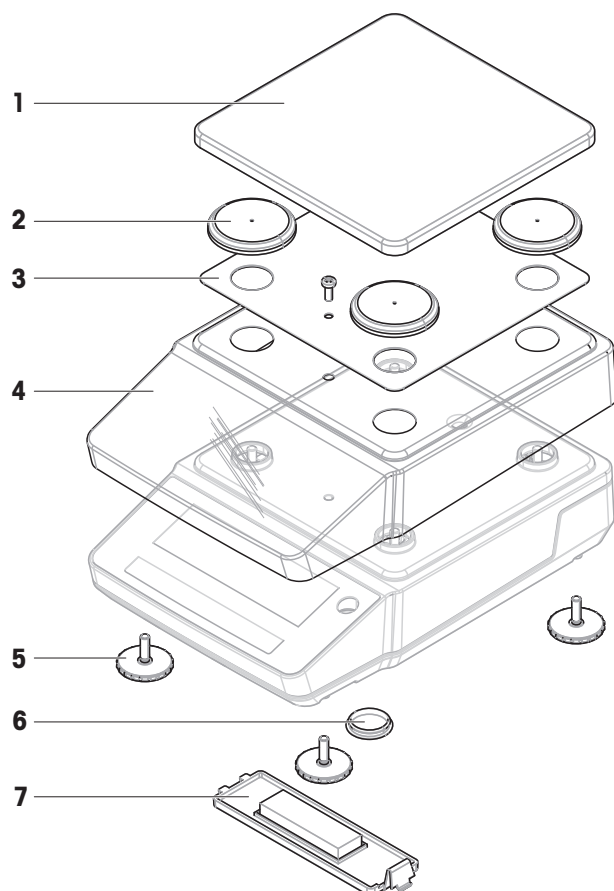
Balance models: MA12001L, MA16001L, MA32001L, MA32000L



	Order no.	Designation	Remarks
1	30706734	Weighing pan	246 × 252 mm
2	30706735	Cap, pan support	Including: 4 pcs
3	30706652	Protective cover	For terminal
4	30850018	Leveling foot	Including: 4 pcs

## 10.2.6 MA precision balances, compact, readability 10 mg / 100 mg

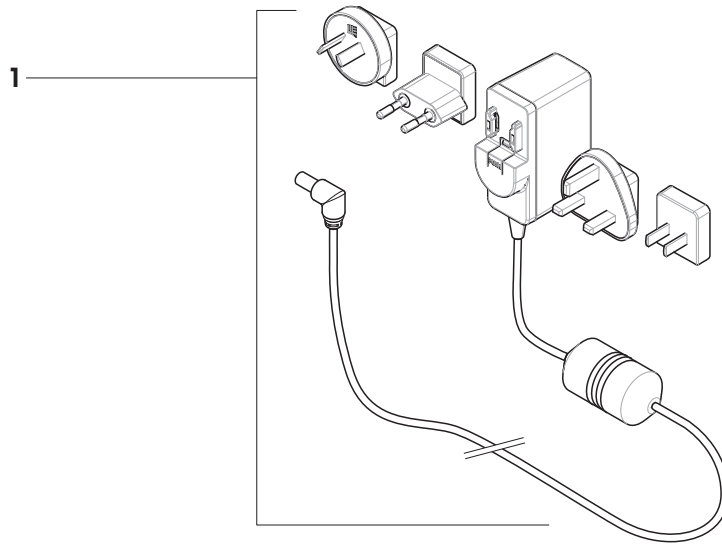
Balance models: MA602P, MA602PE, MA2002P, MA2002PE, MA6001P, MA6001PE



	<b>Order no.</b>	<b>Designation</b>	<b>Remarks</b>
<b>1</b>	30850025	Weighing pan	–
<b>2</b>	30850027	Cap, pan support	Including: 4 pcs
<b>3</b>	30850026	EMC plate	Including: 1 screw
<b>4</b>	30850029	Protective cover	–
<b>5</b>	30850033	Leveling foot	Including: 4 pcs
<b>6</b>	30850036	Cover, weighing hook	–
<b>7</b>	30850032	Cover, battery case	–

## 10.2.7 AC/DC adapter, universal

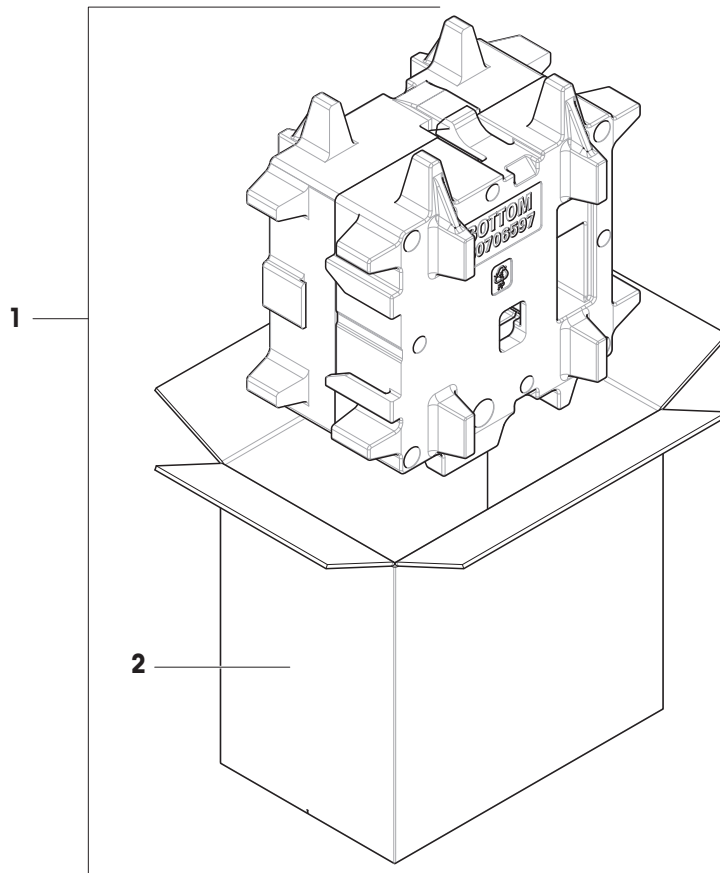
Compatible with all MA balance models.



	Order no.	Designation	Remarks
1	30850040	AC/DC adapter universal	Output: 12 V, 1.0 A; including: 4 plugs (EU, UK, US, AU, CN, KR)

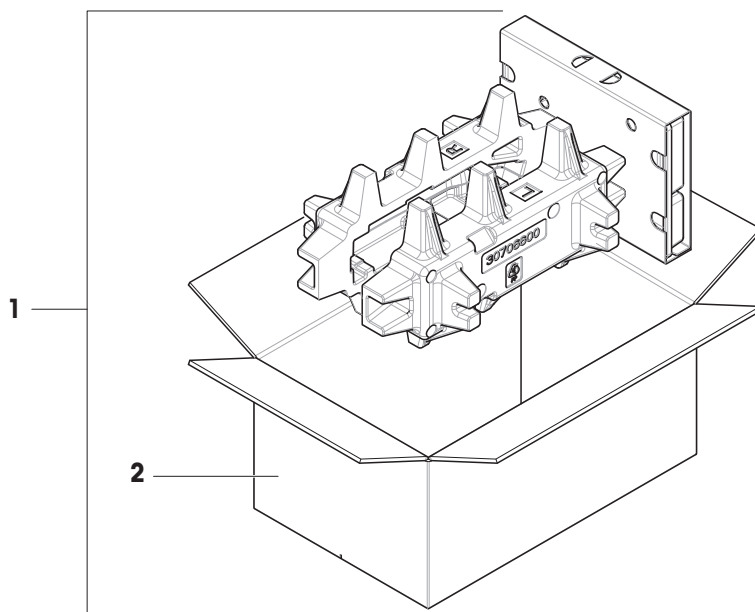
## 10.2.8 Packaging

### 10.2.8.1 Balances with draft shield



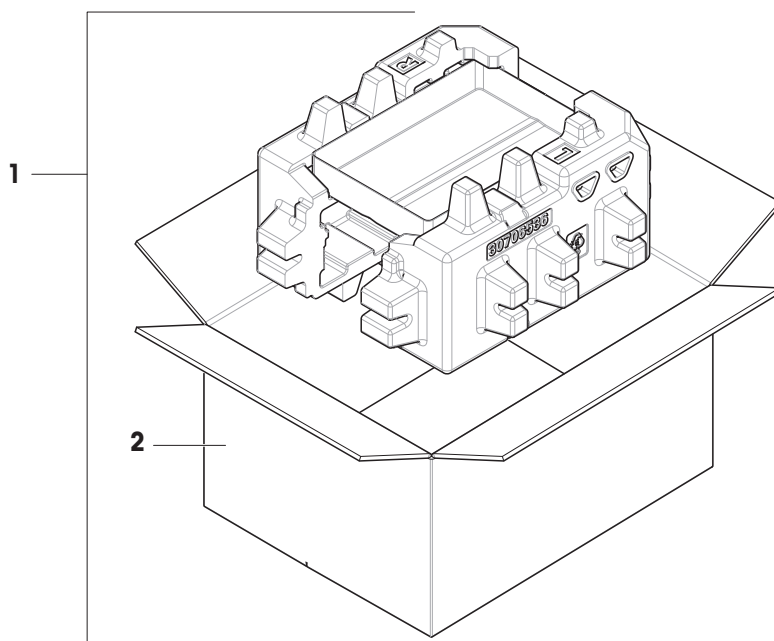
	<b>Order no.</b>	<b>Designation</b>	<b>Remarks</b>
<b>1</b>	30850023	Packaging	Including: export box, inner protection material
<b>2</b>	30850024	Export box	Excluding: inner protection material

### 10.2.8.2 Balances without draft shield



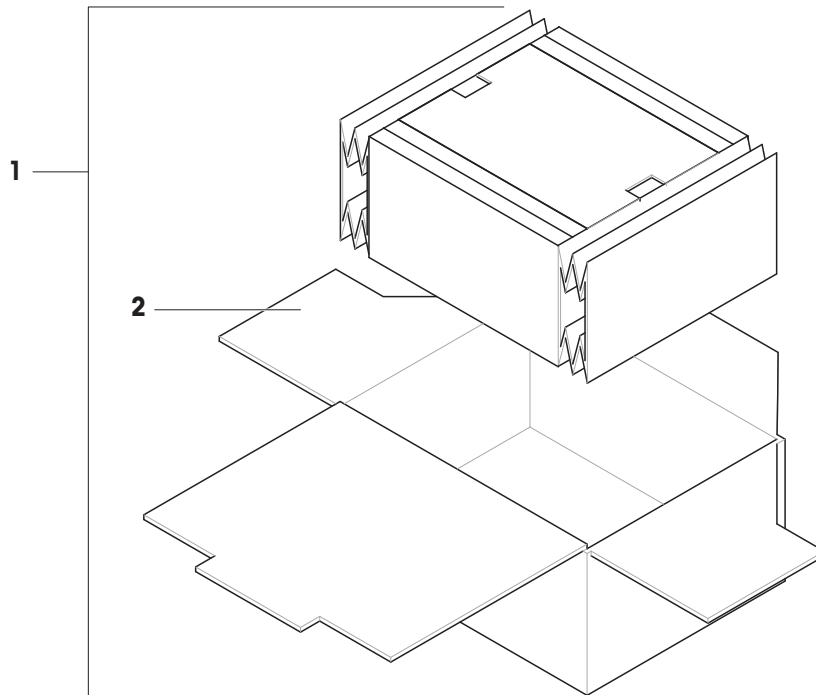
	Order no.	Designation	Remarks
1	30850037	Packaging	Including: export box, inner protection material
2	30850043	Export box	Excluding: inner protection material

### 10.2.8.3 Balances, large



	Order no.	Designation	Remarks
1	30706730	Packaging	Including: export box, inner protection material
2	30706733	Export box	Excluding: inner protection material

#### 10.2.8.4 Balances, compact



	<b>Order no.</b>	<b>Designation</b>	<b>Remarks</b>
<b>1</b>	30849997	Packaging	Including: export box, inner protection material
<b>2</b>	30850038	Export box	Excluding: inner protection material



## 11 Disposal

In conformance with the European Directive 2012/19/EU on Waste Electrical and Electronic Equipment (WEEE) this device may not be disposed of in domestic waste. This also applies to countries outside the EU, per their specific requirements.

Please dispose of this product in accordance with local regulations at the collecting point specified for electrical and electronic equipment. If you have any questions, please contact the responsible authority or the distributor from which you purchased this device. Should this device be passed on to other parties, the content of this regulation must also be related.



## 12 Compliance Information

National approval documents, e.g., the FCC Supplier Declaration of Conformity, are available online and/or included in the packaging.

▶ [www.mt.com/ComplianceSearch](http://www.mt.com/ComplianceSearch)

Contact METTLER TOLEDO for questions about the country-specific compliance of your instrument.

▶ [www.mt.com/contact](http://www.mt.com/contact)

### United States of America

This equipment has been tested and found to comply with the limits for a **Class A** digital device, pursuant to part 15 of the FCC Rules. These limits are designed to provide reasonable protection against harmful interference when the equipment is operated in a commercial environment. This equipment generates, uses, and can radiate radio frequency energy and, if not installed and used in accordance with the instruction manual, may cause harmful interference to radio communications. Operation of this equipment in a residential area is likely to cause harmful interference in which case the user will be required to correct the interference at his own expense.

This device complies with Part 15 of the FCC Rules. Operation is subject to the following two conditions:

1. This device may not cause harmful interference.
2. This device must accept any interference received, including interference that may cause undesired operation.

Changes or modifications not expressly approved by the party responsible for compliance could void the user's authority to operate the equipment.

# Index

## A

---

AC/DC adapter	74
acclimatization	
time	74
altitude	74
application	
check weighing	18, 41
density	18, 39
dynamic weighing	18, 38
factor weighing	19
formulation	18, 37
piece counting	18, 34
statistics	19, 44
totaling	19, 45
weighing	18, 33
average	
see statistics	19

## B

---

battery mode	30
below-the-balance weighing	32

## C

---

check weighing	18, 41
compliance information	108
convention	5
cover	
protection	15

## D

---

density	18, 39
devision factor weighing	19
dimension	87
disposal	107
door	
handle	15
draft shield	14
draft shield door	
QuickLock	16
draft shield panel	
release button	16
drip tray	15
dynamic weighing	18, 38

## E

---

environmental condition	21, 74
-------------------------	--------

## F

---

factor weighing	19
formulation	18, 37
Function PC-Direct	46

## H

---

humidity	74
----------	----

## I

---

install	
put into operation	26
site	21

## L

---

level	
balance	26
indicator	11, 12
leveling feet	15
leveling feet	15
location	21

## M

---

multiplication factor weighing	19
--------------------------------	----

## O

---

overview	
terminal	13
type label	16

## P

---

pack	
balance	32
PC-Direct	46
piece counting	18, 34
power consumption	
balance	74
power supply	
see AC/CD adapter	74
protective cover	15

## Q

---

QuickLock	
draft shield door	16

## R

---

release button	
draft shield panel	16

## S

---

safety information	9
software	
version	5
standard deviation	
see statistics	19, 44
standby	13, 28, 29
statistics	19, 44
store	
balance	32
switch on/off	29
symbol	5
warning	9

## T

---

tare	13
temperature	74
acclimatization time	74
warm-up time	74
terminal	15
overview	13
time	
acclimatization	74
warm up	74
totaling	19, 45
transport	
long distance	31
short distance	31
type label	
overview	16

## U

---

unpack	
balance	21

## W

---

warm up	
time	74
warning symbol	9
weighing	18
application	33
weighing pan	14

## Z

---

zero	13
------	----



## To protect your product's future:

METTLER TOLEDO Service assures the quality, measuring accuracy and preservation of value of this product for years to come.

Please request full details about our attractive terms of service.

► [www.mt.com/service](http://www.mt.com/service)

[www.mt.com/MA-balances](http://www.mt.com/MA-balances)

For more information

**Mettler-Toledo GmbH**

Im Langacher 44  
8606 Greifensee, Switzerland  
[www.mt.com/contact](http://www.mt.com/contact)

Subject to technical changes.  
© 12/2023 METTLER TOLEDO. All rights reserved.  
30491855A en



30491855