

## Description of alternative and discontinued products

Mass-produced	Discontinued	Note
GH150E	MT4720TE	The 15" green series HMIs, which is the enhanced series, has more serial ports. Its installment size is different but hole dimension is same.
GH104E	MT4523TE	Same cutout size
GH070E	MT4424TE	Same cutout size
GH070	MT4404T	Same cutout size
GH043	MT4210T	Same cutout size
GH043E	MT4220TE	Same cutout size
G070	MT4414T	Same cutout size
G070E	MT4414TE	Same cutout size
G070E-CAN	MT4414TE-CAN	Same cutout size
G100E	MT4512T/MT4512TE	Same cutout size
G121E	MT4620TE	Same cutout size
GL150E		15" Economic type
GL104E	MT4513TE	Same cutout size
GL100E	MT4532TE	Same cutout size
GL100	MT4532T	Same cutout size
GL070E	MT4434TE	Same cutout size
GL070	MT4434T	Same cutout size
GL043E	MT4230TE	Same cutout size
GL043	MT4230T	Same cutout size

Mass-produced	Discontinued	Note
F080E	MT5423T MT4403T/MT4403TE	Same cutout size
F104E	MT5520T	Same cutout size
F104E-CAN	MT5520T-CAN	Same cutout size
F150E	MT5720T	Same cutout size
SZ7G	SZ7	Same overall dimension
SZ7GE	SZ7E	Same overall dimension
SZ7GS	SZ7S	Same overall dimension
SZ7GES	SZ7ES	Same overall dimension

## GREEN/FUTURE/ MT4000 series communication cables

Communication cable mode	Description of cable
Green-Micro USB	USB download cable from computer to GREEN series (with Micro USB) HMI (with magnetic ring)
MT54-PC	Serial download cable from GREEN/FUTURE/ MT4000 series HMI to the computer (3 meters)
MT54-CQM-FEMALE	RS232 communication cable between GREEN/FUTURE/MT4000 series HMI and OMRON C series PLC (3 meters)
MT54-FX-F	RS422 communication cable between GREEN/FUTURE/MT4000 series HMI and Mitsubishi FX series PLC (3 meters)
MT54-KC-FEMALE	RS232 communication cable between GREEN/FUTURE/MT4000 series HMI and Kinco PLC (3 meters)
MT54-S7-200-FEMALE	RS485 communication cable between GREEN/FUTURE/MT4000 series HMI and S7-200 series PLC (3 meters)
MT54-Schneider-M218	RS232 communication cable between GREEN/FUTURE/MT4000 series HMI and Schneider PLC (3 meters)

- Tips: 1.For new projects, Kinco strongly suggest our customers to choose the Green series products and don't suggest to choose the MT4000 series.  
2.The old projects in MT4000 series products can be opened directly in DTools. After simulation, they can downloaded to corresponding new type HMIs.

**Kinco® Automation**

<https://en.kinco.cn> Email:sales@kinco.cn

(All trademarks and logos in this brochure are property of and registered by their respective owners.)

Official UK & Ireland Distributor:  
Motion Control Products Ltd  
11-15 Francis Avenue, Bournemouth,  
Dorset, UK, BH11 8NX  
Tel.: +44 (0)1202 599922  
enquiries@motioncontrolproducts.com  
www.motioncontrolproducts.com

K1E20-2108

# Kinco

Official UK & Ireland Distributor



HMI  
Touch Screen

**Kinco HMI Catalogue**

- GREEN Series
- FUTURE Series
- Customized Series



## GREEN Series Description

02 GREEN Series Description

### Enhanced Type

06 GH043/GH043E  
 07 GH043U2/GH043EU2  
 08 GH070/GH070E  
 09 GH104E  
 10 GH150E

### Economy Type

14 GL043/GL043E  
 15 GL070/GL070E  
 16 GL100/GL100E  
 17 GL104E  
 18 GL150E

### Standard Type

11 G070/G070E/G070E-CAN  
 12 G100/G100E  
 13 G121E

### IoT Type

19 GT070E/GT070E-4G/GT070E-WiFi  
 20 GT070HE/GT070HE-4G/GT070HE-WiFi  
 21 GT100E/GT100E-4G/GT100E-WiFi  
 22 GT100E2  
 23 GW01/GW01-4G/GW01-WiFi

## FUTURE Series Description

24 FUTURE Series Description

## FUTURE Series

25 F070E  
 26 F080E  
 27 F104E/F104E-CAN  
 28 F150E  
 29 xF-SiHMI01

## Customized Series

30 Rear installation without front shell - GR Series : GR043 / GR070E / GR100E  
 31 Handheld Terminal : SZ7G/SZ7GS/SZ7GE/SZ7GES  
 32 Construction Machinery : CZ6/CZ10

34

## Features of configuration software: DTools

Back cover

## Description of alternative and discontinued products

Focusing on industrial human-machine interface for 19 years  
 we continue to provide high-quality products

The GREEN series is a new generation of industrial human machine interface. It adopts new architecture design, rigorous craft support, which makes it become paradigm in high-quality human machine interface.

The GREEN series adopts mainstream processor in the market. Not only does it ensure the product's life time, but also greatly improves the performance of the product.



Powerful hardware and software  
 More comprehensive upgrades

### Structure

New structure  
 & exquisite body

### Material Science

Higher hardness and  
 intensity; Higher  
 temperature resistance

### Color

16.7M (24 bits)  
 true color  
 \*Except for a few models

### Kernel

Kernel, version upgrades,  
 more stable performance

### CPU

CPU  
 Freescale industrial  
 class 800MHz

### Memory

The memory  
 DDR3 is upgraded  
 to 128M

## Kinco new generation of industrial HMI GREEN Series

The GREEN series products use the most advantageous ARM Cortex-A7 architecture industrial-grade processors, which ensure that HMIs efficiently work.

Kinco's smart factory, provides reliable guarantee for high-quality production in long-term.

GREEN Series contains multiple subseries:

**GH series**  
Enhanced Type  
4.3"-17"

- Up to 4 serial ports (excluding 4.3") , Ethernet
- Standard USB master port, slave port
- Built-in isolation power, serial port isolation (Ethernet model)
- Coating in mainboard

**G series**  
Standard Type  
7", 10", 12"

- 3 serial port, Ethernet
- Standard USB main port, slave port
- Built-in isolation power supply
- Coating in mainboard

**GL series**  
Economic Type  
4.3"-15"

- 2 serial port, Ethernet
- Standard USB master port, slave port (excluding 4.3")

**GT/GW series**  
IoT Type  
7", 10", Gateway

- WiFi, 4G, Ethernet

## Kinco HMI Teleservice

- A value adding function for OEM

This dedicated teleservice is based on Kinco Edgeaccess Iot platform.

### Advantages:

Easy to set up, Low cost, Reliable, High level data safety and No location limitation to access the machines.

### Applications :

- HMI desktop access: Remotely monitor the machine in real time.
- Program update: Remotely download program to HMI and PLC program.
- Expert level Diagnosis: Remotely diagnose machine HMI and PLC program.
- Online update :Remotely update machine new recipe.

### Support models:

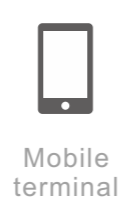
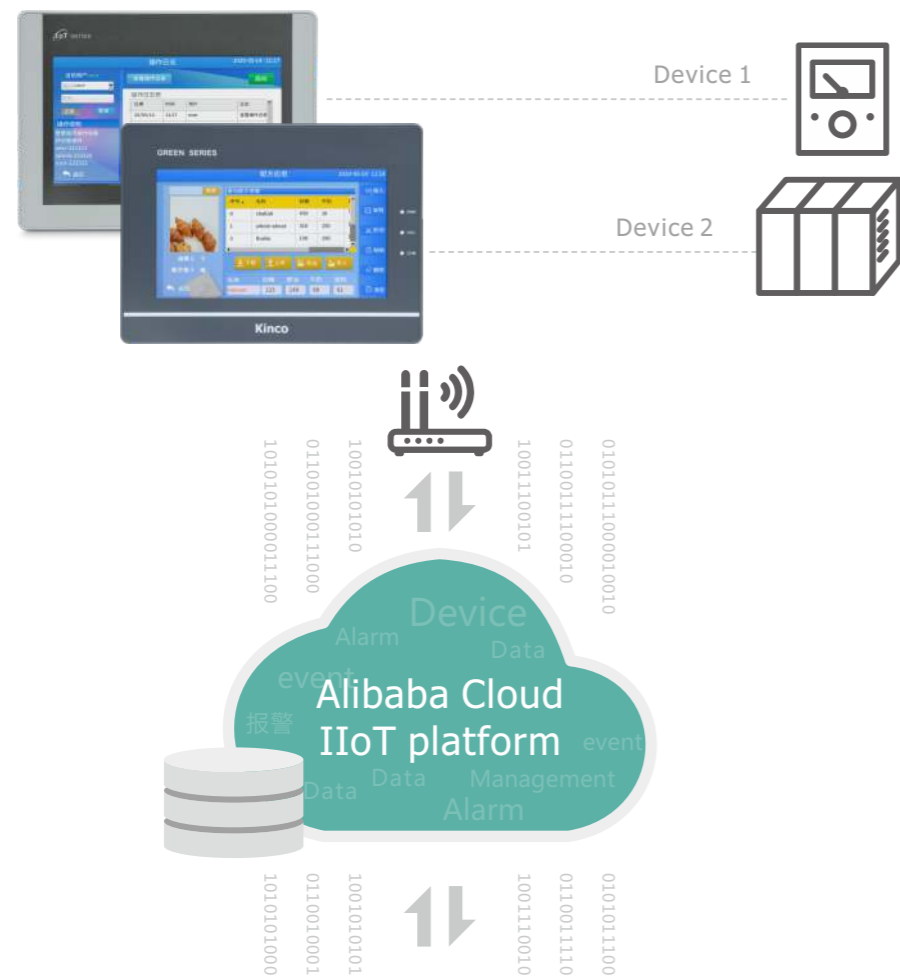
- FUTURE series
- GREEN IoT GT series
- GREEN Gateway GW series
- GREEN Enhanced GH\*\*\*E series
- GREEN Standard G\*\*\*E series
- GREEN Economic GL\*\*\*E series



## Easily Connect with Alibaba Cloud IIoT Platform Help you to launch a new Industrial Internet Generation

The cloud IIoT solution of Green Series is able to help devices to connect with Cloud, and implement data transformation between device and cloud, device and device, and device to people.

- Monitor the operating status in real time
- Report Fault alarm instantly
- Data acquisition assists with data analysis , product optimization and pre maintenance
- Cost saving and no extra investment cost



**GH Series** 4.3"

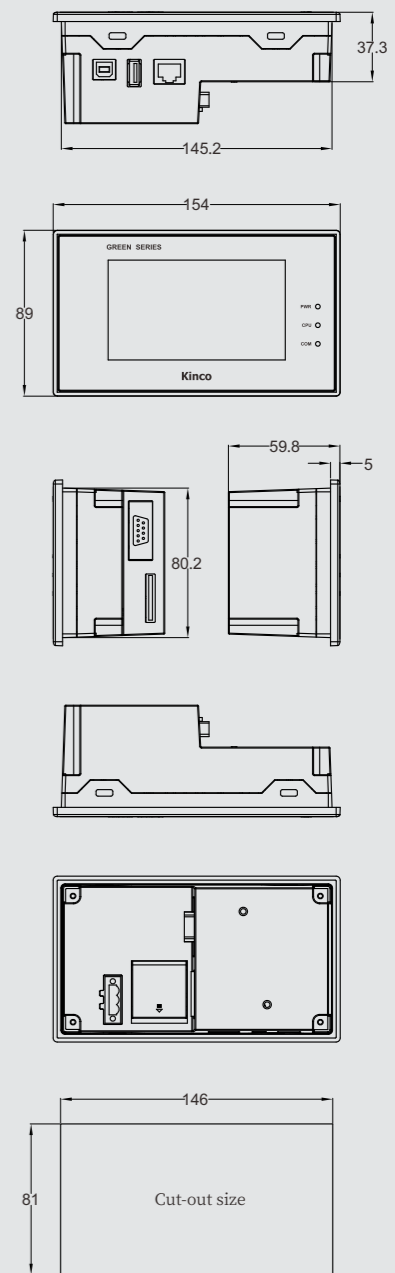
### GH043/GH043E

- Preferred models for subway, high-speed railway and other rail transit.
- Main board Three-dence treatment to effectively deal with complex environment.
- Built-in isolation power to enhance reliability.
- Classic shape, hidden serial port outlet.



Model	GH043	GH043E
<b>Performance specification</b>		
Display size	4.3" TFT	
Display area	95.04mm(W)*53.86mm(H)	
Resolution	480*272 pixels	
Display color	16.7M true color	
Display angle of view	70/70/50/70(left/right/up/down)	
Contrast ratio	500:1	
Backlight	LED	
Brightness	300cd/m <sup>2</sup>	
Backlight life	More than 30000 hours	
Touch panel	4 line precision resistance network (surface hardness 4H)	
CPU	ARM RISC 32Bit 800MHz	
Storage	128MB NAND Flash Memory+128MB DDR3 Memory	
RTC	Built-in	
Extensible memory	1 USB Host	1 USB Host + 1 SD Card
Print port	USB Host/serial port	USB Host/serial port
Ethernet	None	10/100M self-adaption
Program download	USB Slave(Type B)/U disk	USB Slave(Type B)/U disk/Ethernet
Communication port	COM0:RS232/RS485/RS422 COM2:RS232	COM0:RS232/RS485/RS422 COM2:RS232
Serial port isolation	None	None
<b>Electrical specifications</b>		
Input power supply	DC10.8V~DC28V, Built-in isolation power supply	
Rated power	3.5W @24V DC	
Allowable loss of power	<3ms	
Insulation resistance	Over 50MΩ@500V DC	
Hi-pot test	500 VAC 1 minute	
<b>Structure specifications</b>		
PCB	Exquisite spraying	
Shell material	Engineering plastic	
Shape size	154*89*60 mm	
Cutout size	146*81 mm	
Weight	0.4Kg	
<b>Environmental specifications</b>		
Operating ambient temperature	-20° C ~ 55° C	
Operating ambient humidity	10% to 90% noncondensing	
Storage ambient temperature	-25° C ~ 60° C	
Storage ambient humidity	10% to 90% noncondensing	
Sine vibration test	10~500Hz, 30m/s <sup>2</sup> , X, Y, Z direction/hour	
Cooling mode	Natural air cooling	
<b>Product certification</b>		
Panel protection grade	Conforming to IP65 certification(4208-93)	
CE authentication	EN61000-6-4:2007+A1:2011, EN61000-6-2:2005	
<b>Software</b>		
Configuration software	Kinco DTools V3.3 and above	

#### Mechanical Dimensions (Unit:mm)



Note: GH043 is replacement of MT4210T. GH043E is replacement of MT4220TE.  
Programming of MT4000 can be used for Green series HMI after edited by DTools.

\* GREEN series models with Ethernet ports support this function.



**GH Series** 4.3"

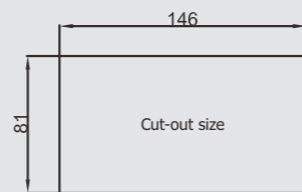
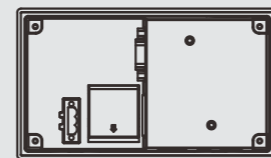
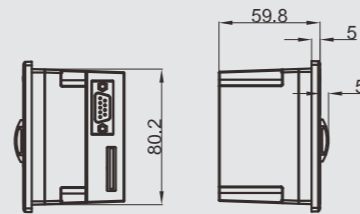
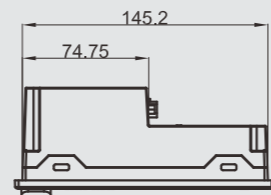
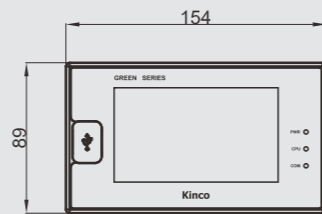
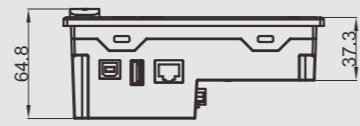
## GH043U2/GH043EU2

- Preferred models for subway, high-speed railway and other rail transit.
- Main board Three-dence treatment to effectively deal with complex environment.
- Built-in isolation power to enhance reliability.
- Dual USB Host, front and rear can be connected to USB devices or U disk.



Model	GH043U2	GH043EU2
<b>Performance specification</b>		
Display size	4.3"TFT	
Display area	95.04mm(W)*53.86mm(H)	
Resolution	480*272 pixels	
Display color	16.7M true color	
Display angle of view	70/70/50/70(left/right/up/down)	
Contrast ratio	500:1	
Backlight	LED	
Brightness	300cd/m <sup>2</sup>	
Backlight life	More than 30000 hours	
Touch panel	4 line precision resistance network (surface hardness 4H)	
CPU	ARM RISC 32Bit 800MHz	
Storage	128MB NAND Flash Memory+128MB DDR3 Memory	
RTC	Built-in	
Extensible memory	2 USB Host	2 USB Host + 1 SD Card
Print port	USB Host*2/serial port	USB Host*2/serial port
Ethernet	None	10/100M self-adaption
Program download	USB Slave(Type B)/U disk	USB Slave(Type B)/U disk/Ethernet
Communication port	COM0:RS232/RS485/RS422 COM2:RS232	COM0:RS232/RS485/RS422 COM2:RS232
Serial port isolation	None	None
<b>Electrical specifications</b>		
Input power supply	DC10.8V~DC28V, Built-in isolation power supply	
Rated power	3.5W @24V DC	
Allowable loss of power	<3ms	
Insulation resistance	Over 50MΩ@500V DC	
Hi-pot test	500 VAC 1 minute	
<b>Structure specifications</b>		
PCB	Exquisite spraying	
Shell material	Engineering plastic	
Shape size	154*89*60 mm	
Cutout size	146*81 mm	
Weight	0.4Kg	
<b>Environmental specifications</b>		
Operating ambient temperature	-25° C ~ 55° C	
Operating ambient humidity	10% to 90% noncondensing	
Storage ambient temperature	-25° C ~ 60° C	
Storage ambient humidity	10% to 90% noncondensing	
Sine vibration test	10~500Hz, 30m/s <sup>2</sup> , X, Y, Z direction/hour	
Cooling mode	Natural air cooling	
<b>Product certification</b>		
Panel protection grade	Conforming to IP65 certification(4208-93)	
CE authentication	EN61000-6-4:2007+A1:2011, EN61000-6-2:2005	
<b>Software</b>		
Configuration software	Kinco DTools V3.3 and above	

Mechanical Dimensions (Unit:mm)



**GH Series** 7"

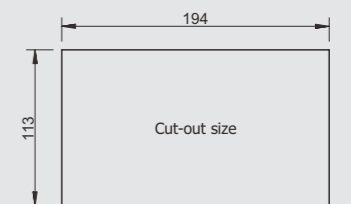
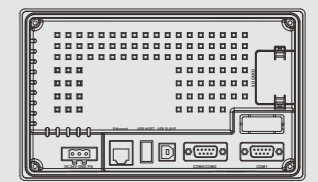
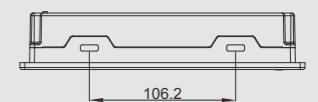
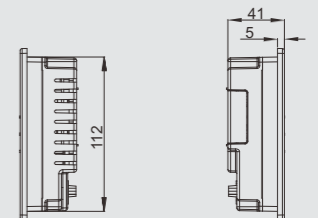
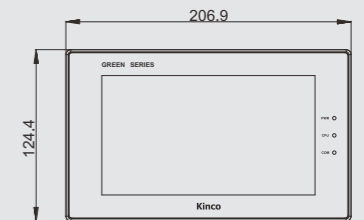
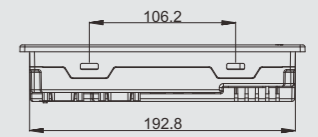
## GH070/GH070E

- Suitable for high reliability expected situations
- Three anti - spraying + multiple isolation more reliable
- Up to four serial port +SD card expansion
- Artistically ultra-narrow border



Model	GH070	GH070E
<b>Performance specification</b>		
Display size	7"TFT	
Display area	154.08mm(W)*85.92mm(H)	
Resolution	800*480 pixels	
Display color	16.7M true color	
Display angle of view	70/70/50/70(left/right/up/down)	
Contrast ratio	500:1	
Backlight	LED	
Brightness	400cd/m <sup>2</sup>	
Backlight life	More than 30000 hours	
Touch panel	4 line precision resistance network (surface hardness 4H)	
CPU	ARM RISC 32Bit 800MHz	
Storage	128MB NAND Flash Memory+128MB DDR3 Memory	
RTC	Built-in	
Extensible memory	1 USB Host	1 USB Host + 1 SD Card
Print port	USB Host/serial port	USB Host/serial port
Ethernet	None	10/100M self-adaption
Program download	USB Slave(Type B)/U disk	USB Slave(Type B)/U disk/Ethernet
Communication port	COM0:RS232/RS485/RS422 COM1:RS232/RS485/RS422 COM2:RS232, COM3:RS485	
Serial port isolation	None	Built-in
<b>Electrical specifications</b>		
Input power supply	DC12V~DC28V,Built-in isolation power supply	
Rated power	5W @24V DC	
Allowable loss of power	<3ms	
Insulation resistance	Over 50MΩ@500V DC	
Hi-pot test	500 VAC 1 minute	
<b>Structure specifications</b>		
PCB	Exquisite spraying	
Shell material	Engineering plastic	
Shape size	207*125*41 mm	
Cutout size	194*113 mm	
Weight	0.6Kg	
<b>Environmental specifications</b>		
Operating ambient temperature	-10° C ~ 55° C	
Operating ambient humidity	10% to 90% noncondensing	
Storage ambient temperature	-20° C ~ 60° C	
Storage ambient humidity	10% to 90% noncondensing	
Sine vibration test	10~500Hz, 30m/s <sup>2</sup> , X, Y, Z direction/hour	
Cooling mode	Natural air cooling	
<b>Product certification</b>		
Panel protection grade	Conforming to IP65 certification(4208-93)	
CE authentication	EN61000-6-4:2007+A1:2011, EN61000-6-2:2005	
<b>Software</b>		
Configuration software	Kinco DTools V3.3 and above	

Mechanical Dimensions (Unit:mm)



Note: GH070 is replacement of MT4404T, GH070E is replacement of MT4424TE.  
Programming of MT4000 can be used for Green series HMI after edited by DTools.

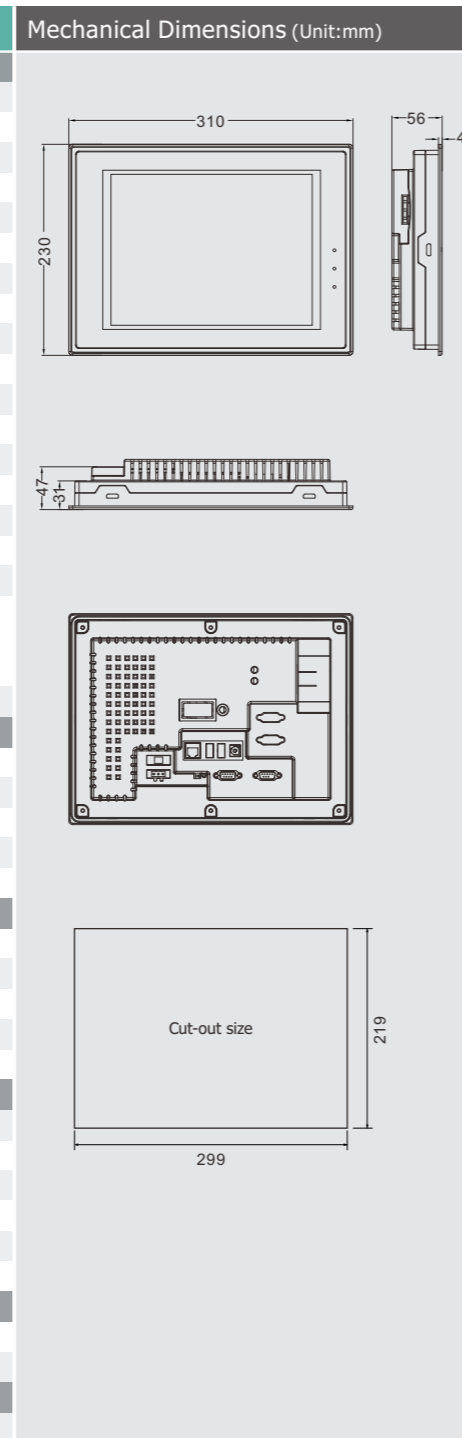
## GH Series 10.4"

### GH104E

- Suitable for high reliability expected situations
- Three anti - spraying + multiple isolation more reliable
- Up to four serial port +SD card expansion
- Industrial screen ratio 4:3, display area is 20% higher than the wide-screen



Model	GH104E
<b>Performance specification</b>	
Display size	10.4"TFT
Display area	211.20mm(W)*158.40mm(H)
Resolution	800*600 pixel
Display color	16.7M true color
Display angle of view	70/70/60/70(left/right/up/down)
Contrast ratio	500:1
Backlight	LED
Brightness	350cd/m <sup>2</sup>
Backlight life	More than 30000 hours
Touch panel	4 line precision resistance network (surface hardness 4H)
CPU	ARM RISC 32Bit 800MHz
Storage	128MB NAND Flash Memory+128MB DDR3 Memory
RTC	Built-in
Extensible memory	1 USB Host + 1 SD Card
Print port	USB Host/serial port
Ethernet	10/100M self-adaption
Program download	USB Slave(Type B)/U disk/Ethernet
Communication port	COM0:RS232/RS485/RS422 COM1: RS232/RS485/RS422 COM2:RS232, COM3: RS485
Serial port isolation	Built-in
<b>Electrical specifications</b>	
Input power supply	DC10.8V~DC28V, Built-in isolation power supply
Rated power	8W @24V DC
Allowable loss of power	<3ms
Insulation resistance	Over 50MΩ@500V DC
Hi-pot test	500 VAC 1 minute
<b>Structure specifications</b>	
PCB	Exquisite spraying
Shell material	Engineering plastic
Shape size	310*230*56 mm
Cutout size	299*219 mm
Weight	1.715Kg
<b>Environmental specifications</b>	
Operating ambient temperature	-10° C ~ 55° C
Operating ambient humidity	10% to 90% noncondensing
Storage ambient temperature	-20° C ~ 60° C
Storage ambient humidity	10% to 90% noncondensing
Sine vibration test	10~500Hz, 30m/s <sup>2</sup> , X, Y, Z direction/hour
Cooling mode	Natural air cooling
<b>Product certification</b>	
Panel protection grade	Conforming to IP65 certification(4208-93)
CE authentication	EN61000-6-4:2007+A1:2011, EN61000-6-2:2005
<b>Software</b>	
Configuration software	Kinco DTools V3.3 and above



Note: GH104E is replacement of MT4523TE.  
Programming of MT4000 can be used for Green series HMI after edited by DTools.

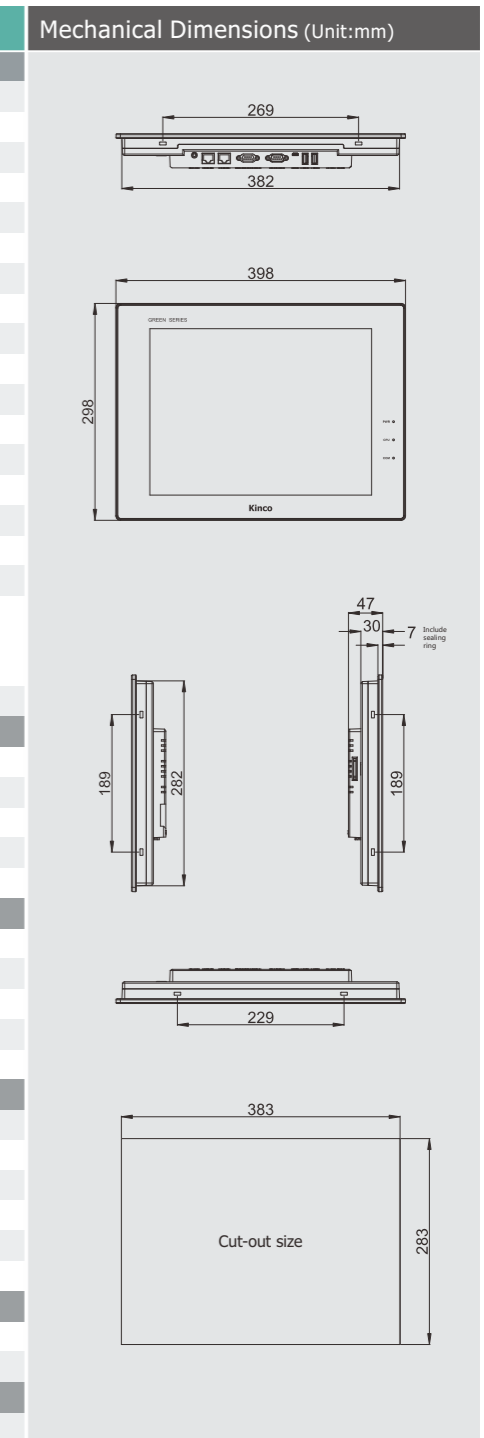
## GH Series 15"

### GH150E

- It is suitable for high reliability expected situations
- Three anti - spraying + multiple isolation more reliable
- Up to four serial port +SD card expansion
- Fashion design, graceful and decent



Model	GH150E
<b>Performance specification</b>	
Display size	15"TFT
Display area	304.13mm(W)*228.10mm(H)
Resolution	1024*768 pixels
Display color	65536 color
Display angle of view	80/80/80/80(left/right/up/down)
Contrast ratio	800:1
Backlight	LED
Brightness	420cd/m <sup>2</sup>
Backlight life	50000 hours
Touch panel	4 line precision resistance network (surface hardness 4H)
CPU	ARM RISC 32Bit 800MHz
Storage	128MB NAND Flash Memory+128MB DDR3 Memory
RTC	Built-in
Extensible memory	1 USB Host + 1 SD Card
Print port	USB Host/serial port
Ethernet	10/100M self-adaption
Program download	USB Slave(Micro USB)/U disk/Ethernet
Communication port	COM0:RS232/RS485/RS422 COM1:RS232/RS485/RS422 COM2:RS232, COM3:RS485
Serial port isolation	Built-in
<b>Electrical specifications</b>	
Input power supply	DC10.8V~DC28V,Built-in isolation power supply
Rated power	16W @24V DC
Allowable loss of power	<3ms
Insulation resistance	Over 50MΩ@500V DC
Hi-pot test	500 VAC 1 minute
<b>Structure specifications</b>	
PCB	Exquisite spraying
Shell material	Engineering plastic
Shape size	398*298*47 mm
Cutout size	383*283 mm
Weight	3Kg
<b>Environmental specifications</b>	
Operating ambient temperature	-10° C ~ 55° C
Operating ambient humidity	10% to 90% noncondensing
Storage ambient temperature	-20° C ~ 60° C
Storage ambient humidity	10% to 90% noncondensing
Sine vibration test	10~500Hz, 30m/s <sup>2</sup> , X, Y, Z direction/hour
Cooling mode	Natural air cooling
<b>Product certification</b>	
Panel protection grade	Conforming to IP65 certification(4208-93)
CE authentication	EN61000-6-4:2007+A1:2011, EN61000-6-2:2005
<b>Software</b>	
Configuration software	Kinco DTools V3.3 and above



Note: GH150E is replacement of MT4720TE.  
Programming of MT4000 can be used for Green series HMI after edited by DTools.

# Standard Type

G Series

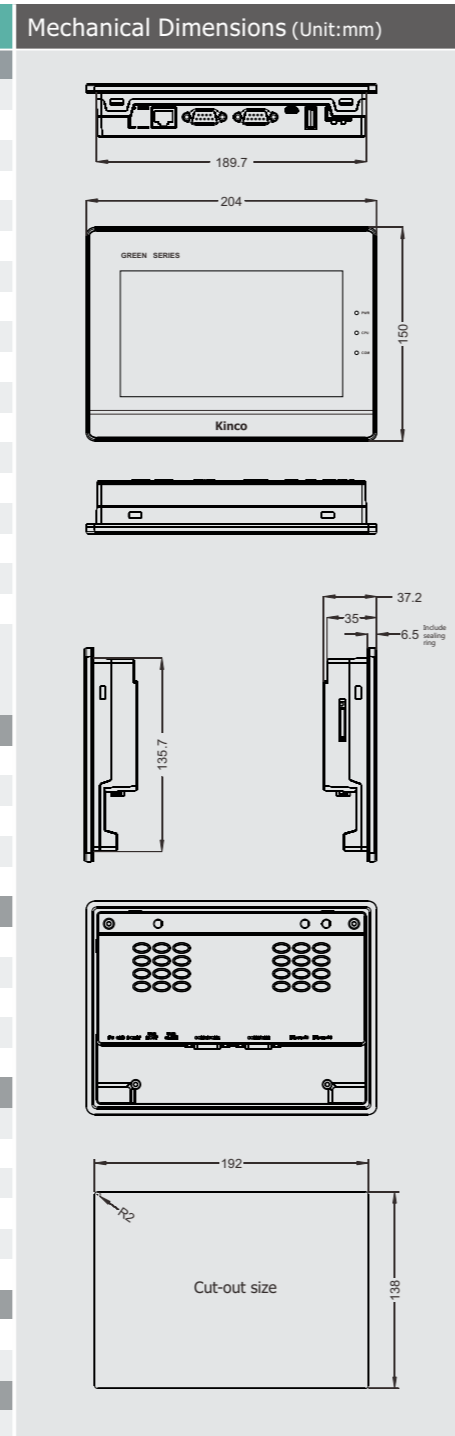
7"



## G070/G070E/G070E-CAN

- Three anti-spraying + built-in isolation power to enhance reliability
- High brightness liquid crystal provide better display effect
- CAN port is supported
- Three series ports meet diverse needs

Model	G070	G070E	G070E-CAN
<b>Performance specification</b>			
Display size	7" TFT		
Display area	154.08mm(W)*85.92mm(H)		
Resolution	800*480 pixels		
Display color	16.7M true color		
Display angle of view	70/70/60/70(left/right/up/down)		
Contrast ratio	500:1		
Backlight	LED		
Brightness	400cd/m <sup>2</sup>		
Backlight life	More than 30000 hours		
Touch panel	4 line precision resistance network (surface hardness 4H)		
CPU	ARM RISC 32Bit 800MHz		
Storage	128MB NAND Flash Memory+128MB DDR3 Memory		
RTC	Built-in		
Extensible memory	1 USB Host		
Print port	USB Host/serial port		
Ethernet	None	10/100M self-adaption	
Bus interface	None	None	1*CANopen
Program download	USB Slave(Micro USB)/U disk	USB Slave(Micro USB)/U disk/Ethernet	
Communication port	COM0:RS232/RS485/RS422 COM1:RS485/RS422 COM2:RS232		
<b>Electrical specifications</b>			
Input power supply	DC12V~DC28V, Built-in isolation power supply		
Rated power	3.8W @24V DC		
Allowable loss of power	<3ms		
Insulation resistance	Over 50MΩ@500V DC		
Hi-pot test	500 VAC 1 minute		
<b>Structure specifications</b>			
PCB	Exquisite spraying		
Shell material	Engineering plastic		
Shape size	204*150*37 mm		
Cutout size	192*138 mm		
Weight	0.5Kg		
<b>Environmental specifications</b>			
Operating ambient temperature	0° C ~ 50° C		
Operating ambient humidity	10% to 90% noncondensing		
Storage ambient temperature	-20° C ~ 60° C		
Storage ambient humidity	10% to 90% noncondensing		
Sine vibration test	10~500Hz, 30m/s <sup>2</sup> , X, Y, Z direction/hour		
Cooling mode	Natural air cooling		
<b>Product certification</b>			
Panel protection grade	Conforming to IP65 certification(4208-93)		
CE authentication	EN61000-6-4:2007+A1:2011, EN61000-6-2:2005		
<b>Software</b>			
Configuration software	Kinco DTools V3.3 and above		



Note: G070 is replacement of MT4414T, G070E is replacement of MT4414TE, G070E-CAN is replacement of MT4414TE-CAN. Programming of MT4000 can be used for Green series HMI after edited by DTools.

# Standard Type

G Series

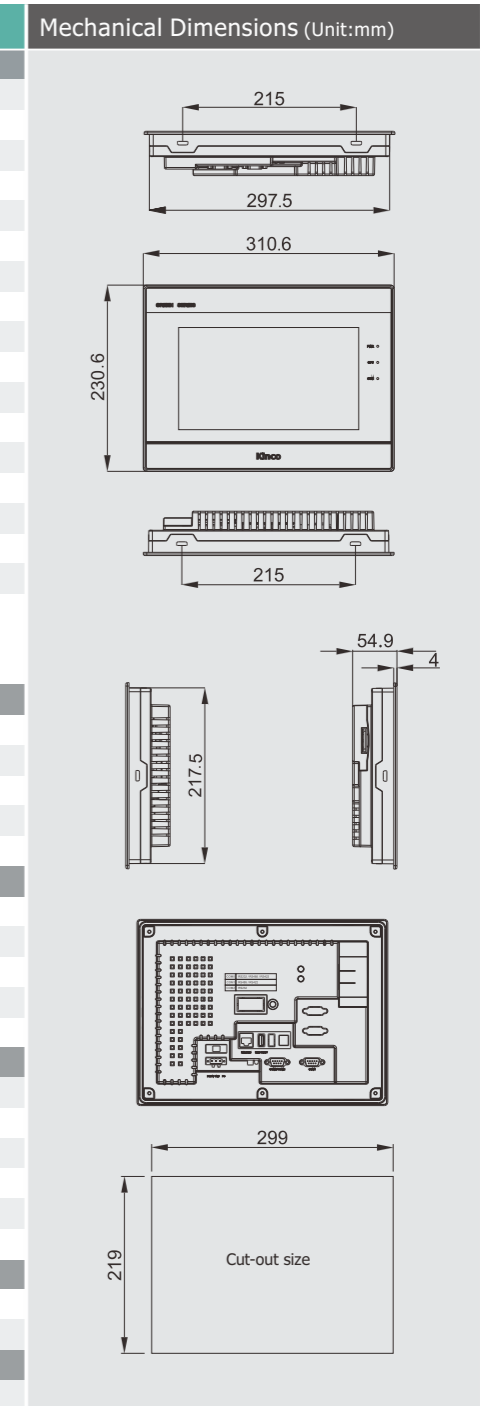
10.1"



## G100/G100E

- Preferred model in food industry
- Three anti-spraying + built-in isolation power to enhance reliability
- Three series ports meet diverse needs
- 1024\*600 high resolution to meet various needs

Model	G100	G100E
<b>Performance specification</b>		
Display size	10.1" TFT	
Display area	222.72mm(W)*125.28mm(H)	
Resolution	1024*600 pixels	
Display color	16.7M true color	
Display angle of view	75/75/60/60(left/right/up/down)	
Contrast ratio	500:1	
Backlight	LED	
Brightness	350cd/m <sup>2</sup>	
Backlight life	More than 30000 hours	
Touch panel	4 line precision resistance network (surface hardness 4H)	
CPU	ARM RISC 32Bit 800MHz	
Storage	128MB NAND Flash Memory+128MB DDR3 Memory	
RTC	Built-in	
Extensible memory	1 USB Host	
Print port	USB Host/serial port	
Ethernet	None	10/100M self-adaption
Program download	U disk	U disk/Ethernet
Communication port	COM0:RS232/RS485/RS422 COM1:RS485/RS422 COM2:RS232	
<b>Electrical specifications</b>		
Input power supply	DC10.8V~DC28V, Built-in isolation power supply	
Rated power	6W @24V DC	
Allowable loss of power	<3ms	
Insulation resistance	Over 50MΩ@500V DC	
Hi-pot test	500 VAC 1 minute	
<b>Structure specifications</b>		
PCB	Exquisite spraying	
Shell material	Engineering plastic	
Shape size	310*230*55 mm	
Cutout size	299*219 mm	
Weight	1.8Kg	
<b>Environmental specifications</b>		
Operating ambient temperature	-10° C ~ 50° C	
Operating ambient humidity	10% to 90% noncondensing	
Storage ambient temperature	-20° C ~ 60° C	
Storage ambient humidity	10% to 90% noncondensing	
Sine vibration test	10~500Hz, 30m/s <sup>2</sup> , X, Y, Z direction/hour	
Cooling mode	Natural air cooling	
<b>Product certification</b>		
Panel protection grade	Conforming to IP65 certification(4208-93)	
CE authentication	EN61000-6-4:2007+A1:2011, EN61000-6-2:2005	
<b>Software</b>		
Configuration software	Kinco DTools V3.4 and above	



Note: G100 is replacement of MT4512T, G100E is replacement of MT4512TE. Programming of MT4000 can be used for Green series HMI after edited by DTools.

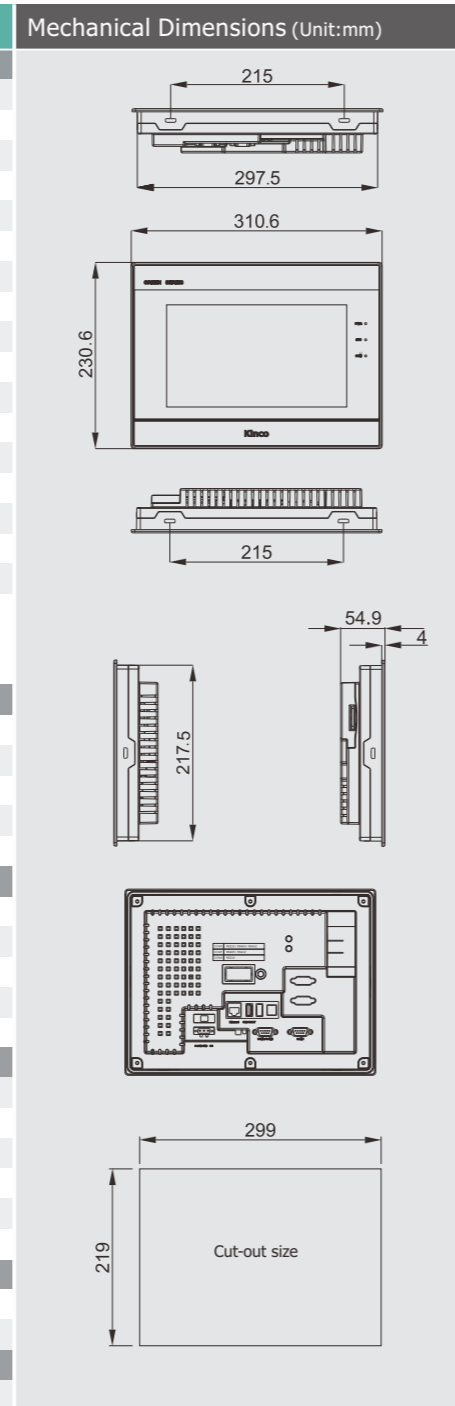
## G Series 12.1"

### G121E

- Advanced platform : NXP industrial-grade CPU, supply more than 10 years
- industrial display : 12.1", 4:3 ratio, provides bigger display area, highlights, and clarity
- Rich in storage : support external SD card, usb flash drive, up to 256GB
- Perfect protection : built-in serial port isolation, power supply, enhance reliability



Model	G121E
<b>Performance specification</b>	
Display size	12.1" TFT
Display area	246mm(W)*184.5mm(H)
Resolution	800*600 pixels
Display color	65535 color
Display angle of view	80/80/65/75(left/right/up/down)
Contrast ratio	800:1
Backlight	LED
Brightness	400cd/m <sup>2</sup>
Backlight life	50000 hours
Touch panel	4 line precision resistance network (surface hardness 4H)
CPU	ARM RISC 32Bit 800MHz
Storage	128MB NAND Flash Memory+128MB DDR3 Memory
RTC	Built-in
Extensible memory	1 USB Host + 1 SD Card
Print port	USB Host/serial port
Ethernet	10/100M self-adaption
Program download	USB Slave(Micro USB)/U disk/Ethernet
Communication port	COM0:RS232/RS485/RS422 COM1:RS485/RS422 COM2:RS232
<b>Electrical specifications</b>	
Input power supply	DC12V~DC28V, Built-in isolation power supply
Rated power	10.8W @24V DC
Allowable loss of power	<3ms
Insulation resistance	Over 50MΩ@500V DC
Hi-pot test	500 VAC 1 minute
<b>Structure specifications</b>	
PCB	Exquisite spraying
Shell material	Engineering plastic
Shape size	350*260*54 mm
Cutout size	340*250 mm
Weight	2.2Kg
<b>Environmental specifications</b>	
Operating ambient temperature	-10° C ~ 55° C
Operating ambient humidity	10% to 90% noncondensing
Storage ambient temperature	-20° C ~ 60° C
Storage ambient humidity	10% to 90% noncondensing
Sine vibration test	10~500Hz, 30m/s <sup>2</sup> , X, Y, Z direction/hour
Cooling mode	Natural air cooling
<b>Product certification</b>	
Panel protection grade	Conforming to IP65 certification(4208-93)
CE authentication	EN61000-6-4:2007+A1:2011, EN61000-6-2:2005
<b>Software</b>	
Configuration software	Kinco DTools V3.4 and above



Note: G121E is replacement of MT4620TE.  
Programming of MT4000 can be used for Green series HMI after edited by DTools.

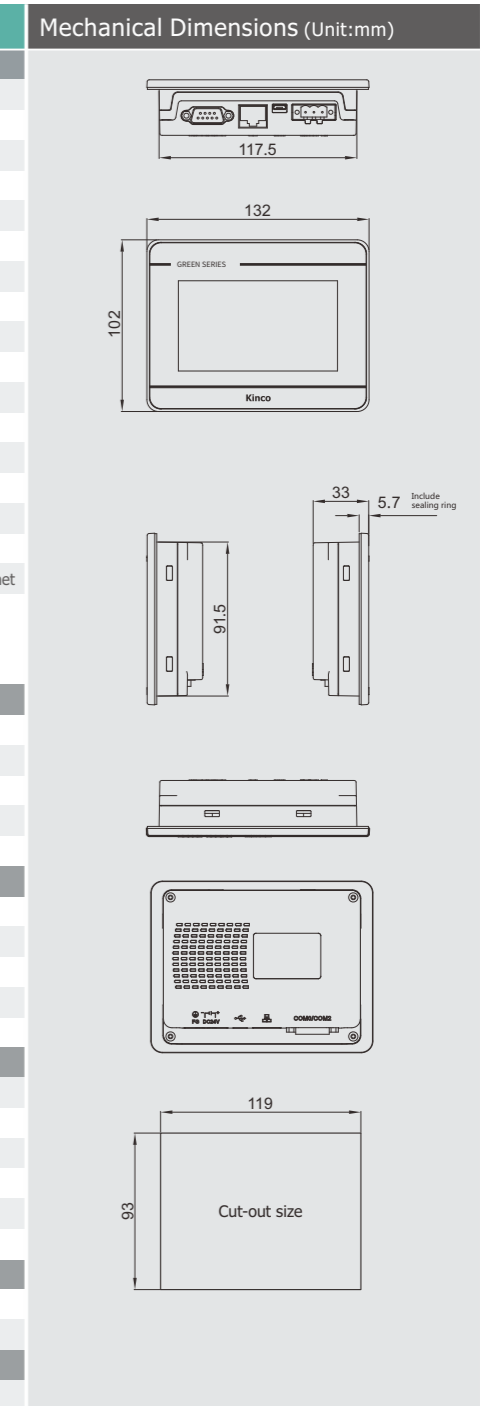
## GL Series 4.3"

### GL043/GL043E

- Suitable for small space occasions
- Beautiful appearance, ultra-thin body
- High cost-effective



Model	GL043	GL043E
<b>Performance specification</b>		
Display size	4.3" TFT	
Display area	95.04mm(W)*53.86mm(H)	
Resolution	480*272 pixels	
Display color	16.7M true color	
Display angle of view	70/70/50/70(left/right/up/down)	
Contrast ratio	500:1	
Backlight	LED	
Brightness	450cd/m <sup>2</sup>	
Backlight life	More than 30000 hours	
Touch panel	4 line precision resistance network (surface hardness 4H)	
CPU	ARM RISC 32Bit 800MHz	
Storage	128MB NAND Flash Memory+128MB DDR3 Memory	
RTC	Built-in	
Extensible memory	None	
Print port	Serial port	
Ethernet	None	10/100M self-adaption
Program download	USB Slave(Micro USB)/Serial port	USB Slave(Micro USB)/Serial port/Ethernet
Communication port	COM0:RS232/RS485/RS422 COM2:RS232	
<b>Electrical specifications</b>		
Input power supply	DC10V~DC28V, Built-in isolation power supply	
Rated power	2W @24V DC	
Allowable loss of power	<3ms	
Insulation resistance	Over 50MΩ@500V DC	
Hi-pot test	500 VAC 1 minute	
<b>Structure specifications</b>		
PCB	None of spraying	
Shell material	Engineering plastic	
Shape size	132*102*33 mm	
Cutout size	119*93 mm	
Weight	0.21Kg	
<b>Environmental specifications</b>		
Operating ambient temperature	0° C ~ 50° C	
Operating ambient humidity	10% to 90% noncondensing	
Storage ambient temperature	-20° C ~ 60° C	
Storage ambient humidity	10% to 90% noncondensing	
Sine vibration test	10~500Hz, 30m/s <sup>2</sup> , X, Y, Z direction/hour	
Cooling mode	Natural air cooling	
<b>Product certification</b>		
Panel protection grade	Conforming to IP65 certification(4208-93)	
CE authentication	EN61000-6-4:2007+A1:2011, EN61000-6-2:2005	
<b>Software</b>		
Configuration software	Kinco DTools V3.3 and above	



Note: GL043 is replacement of MT4230T. GL043E is replacement of MT4230TE.  
Programming of MT4000 can be used for Green series HMI after edited by DTools.



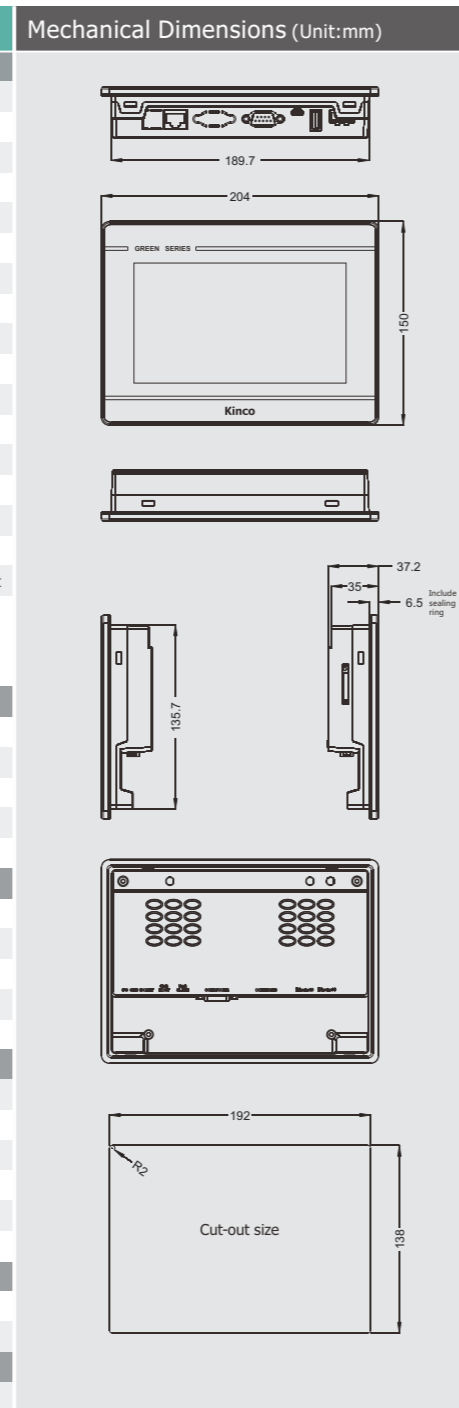
GL Series 7"



## GL070/GL070E

- Preferred model for general use
- A non-hollow mask is more effective against oil pollution
- Beautiful appearance, ultra-thin body
- High cost-effective

Model	GL070	GL070E
<b>Performance specification</b>		
Display size	7" TFT	
Display area	154.08mm(W)*85.92mm(H)	
Resolution	800*480 pixels	
Display color	16.7M true color	
Display angle of view	70/70/50/70(left/right/up/down)	
Contrast ratio	500:1	
Backlight	LED	
Brightness	250cd/m <sup>2</sup>	
Backlight life	More than 30000 hours	
Touch panel	4 line precision resistance network (surface hardness 4H)	
CPU	ARM RISC 32Bit 800MHz	
Storage	128MB NAND Flash Memory+128MB DDR3 Memory	
RTC	Built-in	
Extensible memory	1 USB Host	
Print port	USB Host/Serial port	
Ethernet	None	10/100M self-adaption
Program download	USB Slave(Micro USB)/U disk	USB Slave(Micro USB)/U disk/Ethernet
Communication port	COM0:RS232/RS485/RS422 COM2:RS232	
<b>Electrical specifications</b>		
Input power supply	DC10V~DC28V	
Rated power	3.6W @24V DC	
Allowable loss of power	<3ms	
Insulation resistance	Over 50MΩ@500V DC	
Hi-pot test	500 VAC 1 minute	
<b>Structure specifications</b>		
PCB	None of spraying	
Shell material	Engineering plastic	
Shape size	204*150*37 mm	
Cutout size	192*138 mm	
Weight	0.5Kg	
<b>Environmental specifications</b>		
Operating ambient temperature	0° C ~ 50° C	
Operating ambient humidity	10% to 90% noncondensing	
Storage ambient temperature	-20° C ~ 60° C	
Storage ambient humidity	10% to 90% noncondensing	
Sine vibration test	10~500Hz, 30m/s <sup>2</sup> , X, Y, Z direction/hour	
Cooling mode	Natural air cooling	
<b>Product certification</b>		
Panel protection grade	Conforming to IP65 certification(4208-93)	
CE authentication	EN61000-6-4:2007+A1:2011, EN61000-6-2:2005	
<b>Software</b>		
Configuration software	Kinco DTools V3.3 and above	



Note: GL070 is replacement of MT4434T. GL070E is replacement of MT4434TE.  
Programming of MT4000 can be used for Green series HMI after edited by DTools.

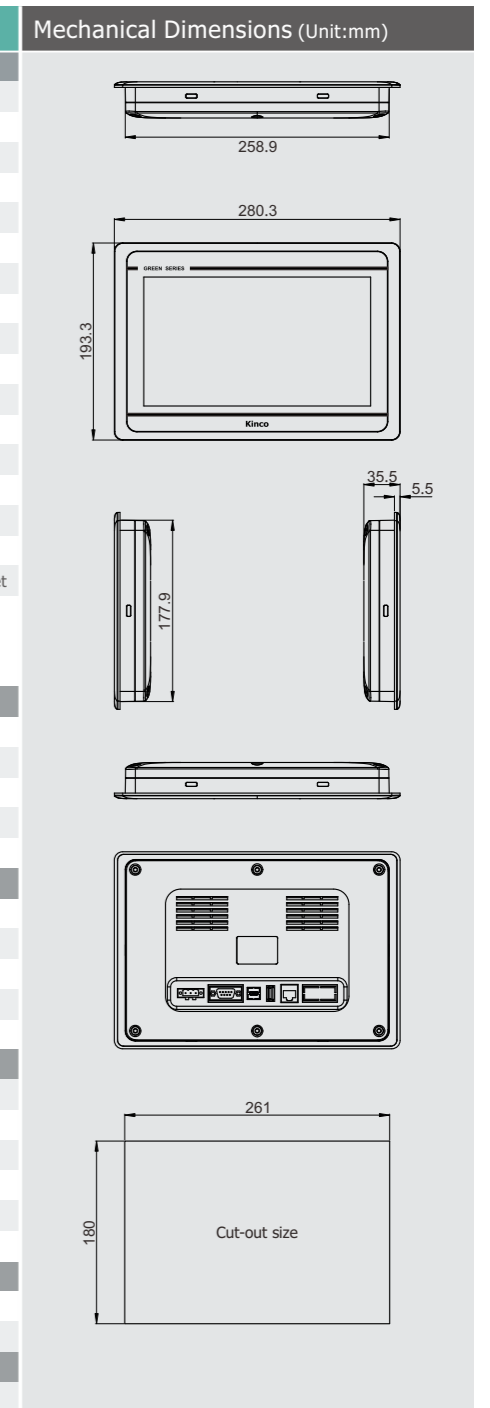
GL Series 10.1"



## GL100/GL100E

- Preferred model for general use
- A non-hollow mask is more effective against oil pollution
- Beautiful appearance, ultra-thin body
- High cost-effective

Model	GL100	GL100E
<b>Performance specification</b>		
Display size	10.1" TFT	
Display area	222.72mm(W)*125.28mm(H)	
Resolution	1024*600 pixels	
Display color	16.7M true color	
Display angle of view	70/70/60/70(left/right/up/down)	
Contrast ratio	500:1	
Backlight	LED	
Brightness	400cd/m <sup>2</sup>	
Backlight life	More than 30000 hours	
Touch panel	4 line precision resistance network (surface hardness 4H)	
CPU	ARM RISC 32Bit 800MHz	
Storage	128MB NAND Flash Memory+128MB DDR3 Memory	
RTC	Built-in	
Extensible memory	1 USB Host	
Print port	USB Host/Serial port	
Ethernet	None	10/100M self-adaption
Program download	USB Slave(Micro USB)/U disk	USB Slave(Micro USB)/U disk/Ethernet
Communication port	COM0:RS232/RS485/RS422 COM2:RS232	
<b>Electrical specifications</b>		
Input power supply	DC10V~DC28V	
Rated power	6W @24V DC	
Allowable loss of power	<3ms	
Insulation resistance	Over 50MΩ@500V DC	
Hi-pot test	500 VAC 1 minute	
<b>Structure specifications</b>		
PCB	None of spraying	
Shell material	Engineering plastic	
Shape size	280*193*36 mm	
Cutout size	261*180 mm	
Weight	0.9Kg	
<b>Environmental specifications</b>		
Operating ambient temperature	0° C ~ 50° C	
Operating ambient humidity	10% to 90% noncondensing	
Storage ambient temperature	-20° C ~ 60° C	
Storage ambient humidity	10% to 90% noncondensing	
Sine vibration test	10~500Hz, 30m/s <sup>2</sup> , X, Y, Z direction/hour	
Cooling mode	Natural air cooling	
<b>Product certification</b>		
Panel protection grade	Conforming to IP65 certification(4208-93)	
CE authentication	EN61000-6-4:2007+A1:2011, EN61000-6-2:2005	
<b>Software</b>		
Configuration software	Kinco DTools V3.3 and above	



Note: GL100 is replacement of MT4532T. GL100E is replacement of MT4532TE.  
Programming of MT4000 can be used for Green series HMI after edited by DTools.

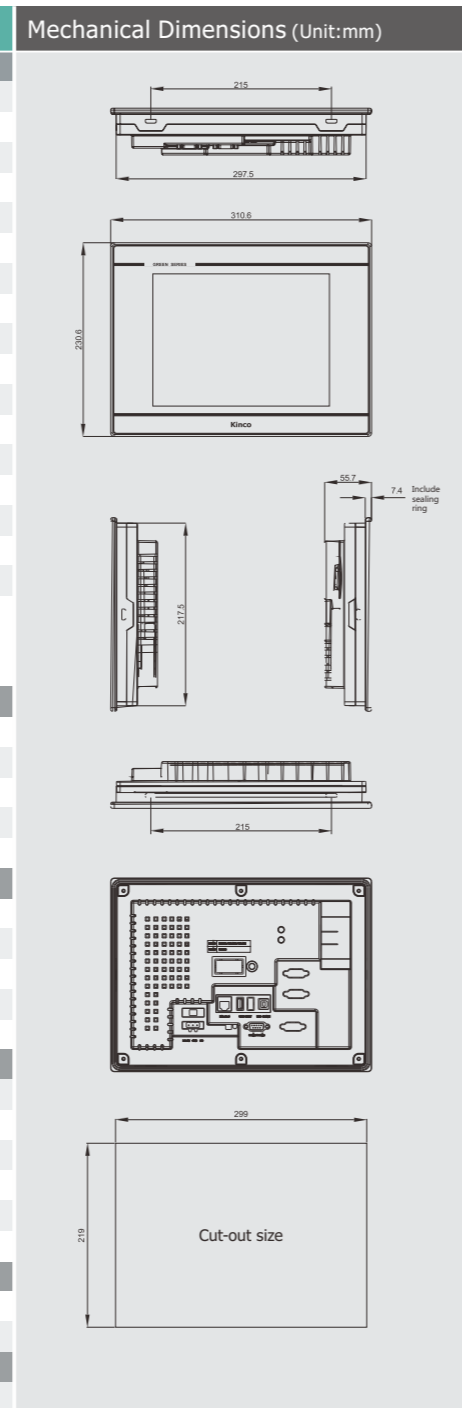
GL Series 10.4"



## GL104E

- Built-in isolated power supply to enhance reliability
- Industrial size 4:3, possessing greatful visual coordination
- Firm structure
- High cost-effective

Model	GL104E
<b>Performance specification</b>	
Display size	10.4" TFT
Display area	211.20mm(W)*158.40mm(H)
Resolution	800*600 pixels
Display color	16.7M true color
Display angle of view	70/70/60/70(left/right/up/down)
Contrast ratio	500:1
Backlight	LED
Brightness	350cd/m <sup>2</sup>
Backlight life	More than 30000 hours
Touch panel	4 line precision resistance network (surface hardness 4H)
CPU	ARM RISC 32Bit 800MHz
Storage	128MB NAND Flash Memory+128MB DDR3 Memory
RTC	Built-in
Extensible memory	1 USB Host
Print port	USB Host/Serial port
Ethernet	10/100M self-adaption
Program download	USB Slave(Type B)/U disk/Ethernet
Communication port	COM0:RS232/RS485/RS422 COM2:RS232
<b>Electrical specifications</b>	
Input power supply	DC10.8V~DC28V, Built-in isolation power supply
Rated power	8W @24V DC
Allowable loss of power	<3ms
Insulation resistance	Over 50MΩ@500V DC
Hi-pot test	500 VAC 1 minute
<b>Structure specifications</b>	
PCB	None of spraying
Shell material	Engineering plastic
Shape size	310*230*56 mm
Cutout size	299*219 mm
Weight	1.715Kg
<b>Environmental specifications</b>	
Operating ambient temperature	0° C ~ 50° C
Operating ambient humidity	10% to 90% noncondensing
Storage ambient temperature	-20° C ~ 60° C
Storage ambient humidity	10% to 90% noncondensing
Sine vibration test	10~500Hz, 30m/s <sup>2</sup> , X, Y, Z direction/hour
Cooling mode	Natural air cooling
<b>Product certification</b>	
Panel protection grade	Conforming to IP65 certification(4208-93)
CE authentication	EN61000-6-4:2007+A1:2011, EN61000-6-2:2005
<b>Software</b>	
Configuration software	Kinco DTools V3.3 and above



Note: GL104E is replacement of MT4513TE.  
Programming of MT4000 can be used for Green series HMI after edited by DTools.

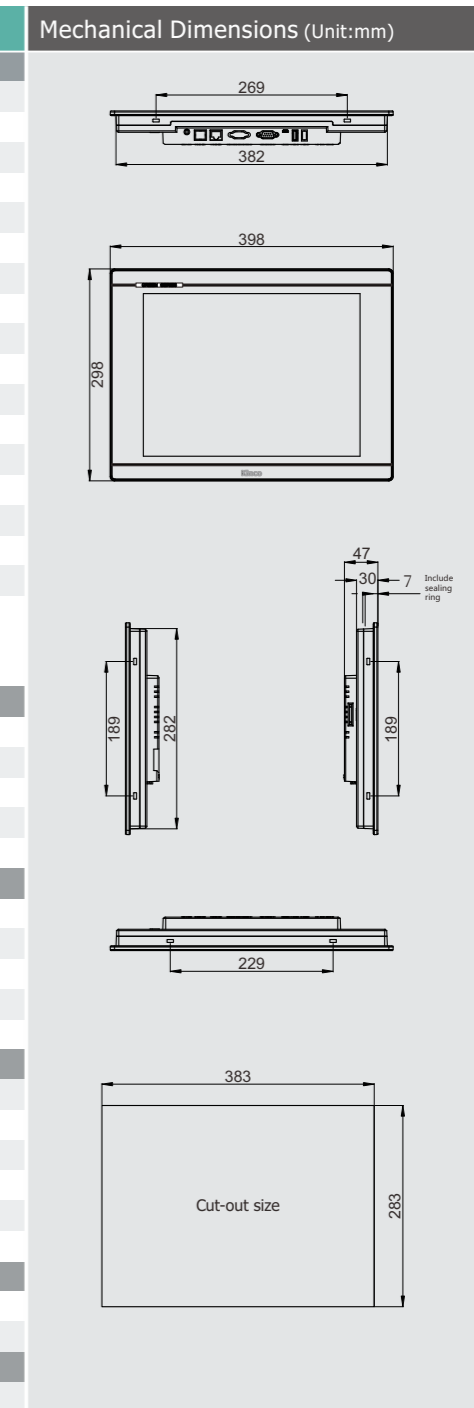
GL Series 15"



## GL150E

- Preferred model for general use in 15 inch screen
- Built-in isolated power supply to enhance reliability
- Industrial size 4:3, possessing greatful visual coordination
- Firm structure

Model	GL150E
<b>Performance specification</b>	
Display size	15" TFT
Display area	304.13mm(W)*228.10mm(H)
Resolution	1024*768 pixels
Display color	65536 color
Display angle of view	80/80/80/80(left/right/up/down)
Contrast ratio	800:1
Backlight	LED
Brightness	420cd/m <sup>2</sup>
Backlight life	More than 50000 hours
Touch panel	4 line precision resistance network (surface hardness 4H)
CPU	ARM RISC 32Bit 800MHz
Storage	128MB NAND Flash Memory+128MB DDR3 Memory
RTC	Built-in
Extensible memory	1 USB Host
Print port	USB Host/Serial port
Ethernet	10/100M self-adaption
Program download	USB Slave(Micro USB)/U disk/Ethernet
Communication port	COM0:RS232/RS485/RS422 COM2:RS232
<b>Electrical specifications</b>	
Input power supply	DC10.8V~DC28V, Built-in isolation power supply
Rated power	16W @24V DC
Allowable loss of power	<3ms
Insulation resistance	Over 50MΩ@500V DC
Hi-pot test	500 VAC 1 minute
<b>Structure specifications</b>	
PCB	None of spraying
Shell material	Engineering plastic
Shape size	398*298*47 mm
Cutout size	383*283 mm
Weight	3Kg
<b>Environmental specifications</b>	
Operating ambient temperature	-10° C ~ 55° C
Operating ambient humidity	10% to 90% noncondensing
Storage ambient temperature	-20° C ~ 60° C
Storage ambient humidity	10% to 90% noncondensing
Sine vibration test	10~500Hz, 30m/s <sup>2</sup> , X, Y, Z direction/hour
Cooling mode	Natural air cooling
<b>Product certification</b>	
Panel protection grade	Conforming to IP65 certification(4208-93)
CE authentication	EN61000-6-4:2007+A1:2011, EN61000-6-2:2005
<b>Software</b>	
Configuration software	Kinco DTools V3.3 and above



GT Series 7"

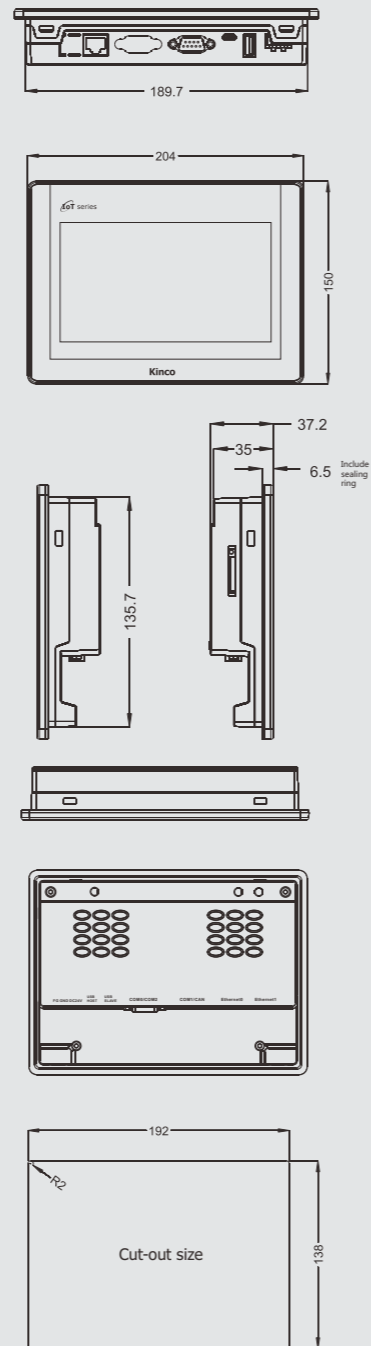
## GT070E / GT070E-4G / GT070E-WiFi

- Support Ethernet, built-in 4G & WiFi
- Built-in Internet of Things function, support remote service
- HMI has the function of remote upload and download
- Remote transmission, PLC program upload, download, online debugging, desktop monitoring



Model	GT070E	GT070E-4G	GT070E-WiFi
<b>Performance specification</b>			
Display size	7" TFT		
Display area	154.08mm(W)*85.92mm(H)		
Resolution	800*480 pixels		
Display color	16.7M true color		
Display angle of view	70/70/50/70(left/right/up/down)		
Contrast ratio	500:1		
Backlight	LED		
Brightness	250cd/m <sup>2</sup>		
Backlight life	More than 30000 hours		
Touch panel	4 line precision resistance network (surface hardness 4H)		
CPU	ARM RISC 32Bit 800MHz		
Storage	128MB NAND Flash Memory+128MB DDR3 Memory		
RTC	Built-in		
Extensible memory	1 USB Host		
Print port	USB Host/Serial port		
Internetwork	Ethernet	Ethernet/Cellular 2G/3G/4G	Ethernet/WiFi
Program download	USB Slave (Micro USB)/U disk/Ethernet		
Cellular and Wireless	None	LTE-FDD Band 1/3/5/8 LTE-TDD Band 38/39/40/41 UMTS Band 1/8 GSM Band 3/8	IEEE802.11 b/g/n 802.11b:max 17dBm 802.11g:max 17dBm 802.11n:max 17dBm
VPN	Support HMI remote upload and download and screen monitoring, support PLC passthrough program upload and download and online debugging		
Ethernet	10/100M self-adaption		
Communication port	COM0:RS232/RS485/RS422, COM2:RS232		
<b>Electrical specifications</b>			
Input power supply	DC10.8V~DC28V		
Rated power	4.2W @24V DC		
Allowable loss of power	<3ms		
Insulation resistance	Over 50MΩ@500V DC		
Hi-pot test	500 VAC 1 minute		
<b>Structure specifications</b>			
PCB	None of spraying		
Shell material	Engineering plastic		
Shape size	204*150*37 mm		
Cutout size	192*138 mm		
Weight	0.5Kg		
<b>Environmental specifications</b>			
Operating ambient temperature	0°C ~ 50°C		
Operating ambient humidity	10% to 90% noncondensing		
Storage ambient temperature	-20°C ~ 60°C		
Storage ambient humidity	10% to 90% noncondensing		
Sine vibration test	10~500Hz, 30m/s <sup>2</sup> , X, Y, Z direction/hour		
Cooling mode	Natural air cooling		
<b>Product certification</b>			
Panel protection grade	Conforming to IP65 certification(4208-93)		
CE authentication	EN61000-6-4:2007+A1:2011, EN61000-6-2:2005		
<b>Software</b>			
Configuration software	Kinco DTools V3.5.0 and above		

Mechanical Dimensions (Unit:mm)



GT Series 7"

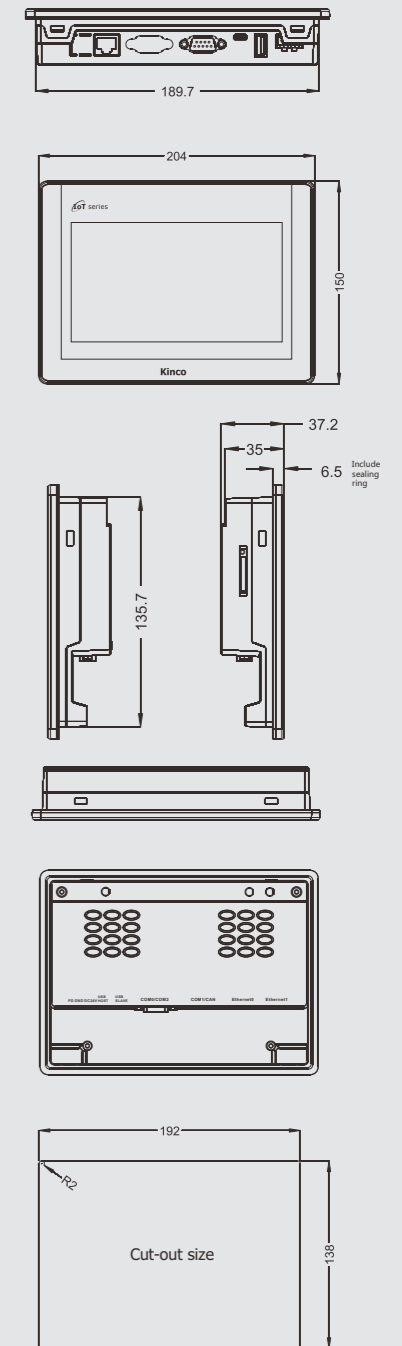
## GT070HE / GT070HE-4G / GT070HE-WiFi

- 7",HD Display, 16.77 Million true colors
- Support Ethernet, built-in 4G / WiFi
- Edge computing is supported
- Built in Internet of things function, supporting remote service



Model	GT070HE	GT070HE-4G	GT070HE-WiFi
<b>Performance specification</b>			
Display size	7" TFT		
Display area	154.08mm(W)*85.92mm(H)		
Resolution	800*480 pixels		
Display color	16.7M true color		
Display angle of view	85/85/85/85(left/right/up/down)		
Contrast ratio	500:1		
Backlight	LED		
Brightness	450cd/m <sup>2</sup>		
Backlight life	More than 30000 hours		
Touch panel	4 line precision resistance network (surface hardness 4H)		
CPU	ARM RISC 32Bit 800MHz		
Storage	128MB NAND Flash Memory+128MB DDR3 Memory		
RTC	Built-in		
Extensible memory	1 USB Host		
Print port	USB Host/Serial port		
Internetwork	Ethernet	Ethernet/Cellular 2G/3G/4G	Ethernet/WiFi
Program download	USB Slave (Micro USB)/U disk/Ethernet		
Cellular and Wireless	None	LTE-FDD Band 1/3/5/8 LTE-TDD Band 38/39/40/41 UMTS Band 1/8 GSM Band 3/8	IEEE802.11 b/g/n 802.11b:max 17dBm 802.11g:max 17dBm 802.11n:max 17dBm
VPN	Support HMI remote upload and download and screen monitoring, support PLC passthrough program upload and download and online debugging		
Ethernet	1*10/100M self-adaption		
Communication port	COM0:RS232/RS485/RS422, COM2:RS232		
<b>Electrical specifications</b>			
Input power supply	DC10.8V~DC28V		
Rated power	4.2W @24V DC		
Allowable loss of power	<3ms		
Insulation resistance	Over 50MΩ@500V DC		
Hi-pot test	500 VAC 1 minute		
<b>Structure specifications</b>			
PCB	None of spraying		
Shell material	Engineering plastic		
Shape size	204*150*37 mm		
Cutout size	192*138 mm		
Weight	0.5Kg		
<b>Environmental specifications</b>			
Operating ambient temperature	0°C ~ 50°C		
Operating ambient humidity	10% to 90% noncondensing		
Storage ambient temperature	-20°C ~ 60°C		
Storage ambient humidity	10% to 90% noncondensing		
Sine vibration test	10~500Hz, 30m/s <sup>2</sup> , X, Y, Z direction/hour		
Cooling mode	Natural air cooling		
<b>Product certification</b>			
Panel protection grade	Conforming to IP65 certification(4208-93)		
CE authentication	EN61000-6-4:2007+A1:2011, EN61000-6-2:2005		
<b>Software</b>			
Configuration software	Kinco DTools V3.5.1 and above		

Mechanical Dimensions (Unit:mm)



GT Series 10.1"

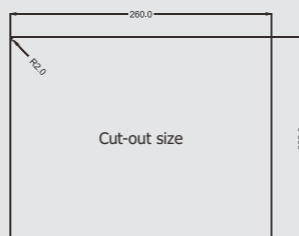
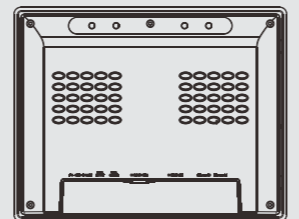
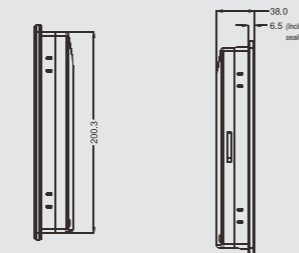
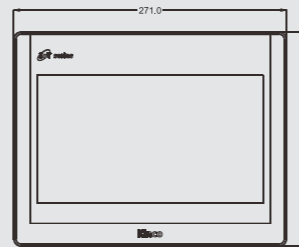
GT100E / GT100E-4G / GT100E-WiFi

- 10.1"HD display, 16.77M true color
- Support Ethernet, built-in 4G & WiFi
- Built-in Internet of Things function, support remote service
- Remote transmission, PLC program upload, download, online debugging, desktop monitoring



Model	GT100E	GT100E-4G	GT100E-WiFi
<b>Performance specification</b>			
Display size	10.1"TFT		
Display area	222.72(W)x125.28(H)		
Resolution	1024*600 pixels		
Display color	16.7M true color		
Display angle of view	85/85/85/85(left/right/up/down)		
Contrast ratio	500:1		
Backlight	LED		
Brightness	300cd/m <sup>2</sup>		
Backlight life	More than 30000 hours		
Touch panel	4 line precision resistance network (surface hardness 4H)		
CPU	ARM RISC 32Bit 800MHz		
Storage	128MB NAND Flash Memory+128MB DDR3 Memory		
RTC	Built-in		
Extensible memory	1 USB Host		
Print port	USB Host/Serial port		
Internet network	Ethernet	Ethernet/Cellular 2G/3G/4G	Ethernet/WiFi
Program download	USB Slave (Micro USB)/U disk/Ethernet		
Cellular and Wireless	None	LTE-FDD Band 1/3/5/8 LTE-TDD Band 38/39/40/41 UMTS Band 1/8 GSM Band 3/8	IEEE802.11 b/g/n 802.11b:max 17dBm 802.11g:max 17dBm 802.11n:max 17dBm
VPN	Support HMI remote upload and download and screen monitoring, support PLC passthrough program upload and download and online debugging		
Ethernet	10/100M self-adaption		
Communication port	COM0:RS232/RS485/RS422, COM2:RS232		
<b>Electrical specifications</b>			
Input power supply	DC10.8V~DC28V		
Rated power	7W @24V DC		
Allowable loss of power	<3ms		
Insulation resistance	Over 50MΩ@500V DC		
Hi-pot test	500 VAC 1 minute		
<b>Structure specifications</b>			
PCB	None of spraying		
Shell material	Engineering plastic		
Shape size	271*213*38 mm		
Cutout size	260*202 mm		
Weight	1.1Kg		
<b>Environmental specifications</b>			
Operating ambient temperature	0° C ~ 50° C		
Operating ambient humidity	10% to 90% noncondensing		
Storage ambient temperature	-20° C ~ 60° C		
Storage ambient humidity	10% to 90% noncondensing		
Sine vibration test	10~500Hz, 30m/s <sup>2</sup> , X, Y, Z direction/hour		
Cooling mode	Natural air cooling		
<b>Product certification</b>			
Panel protection grade	Conforming to IP65 certification(4208-93)		
CE authentication	EN61000-6-4:2007+A1:2011, EN61000-6-2:2005		
<b>Software</b>			
Configuration software	Kinco DTools V3.5.1 and above		

Mechanical Dimensions (Unit:mm)



GT Series 10.1"

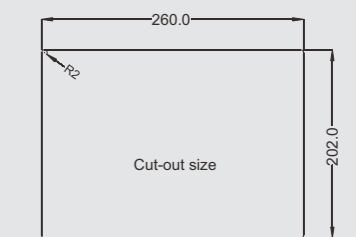
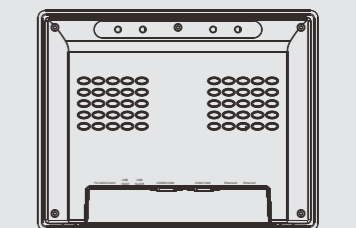
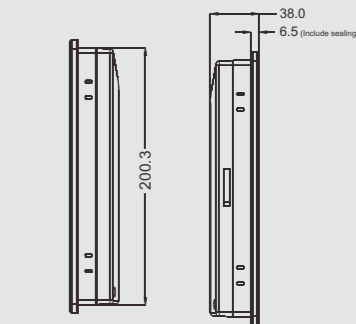
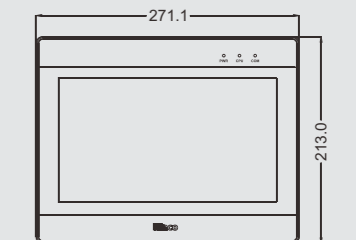
GT100E2

- 10.1"HD display, 16.77M true color
- Dual Ethernet port, 3 separated COM port
- Mainboard high technology protection
- Built-in power supply isolation, Powerful script function



Model	GT100E2
<b>Performance specification</b>	
Display size	10.1"TFT
Display area	222.72(W)x125.28(H)
Resolution	1024*600 pixels
Display color	16.7M true color
Display angle of view	70/70/60/60(left/right/up/down)
Contrast ratio	500:1
Backlight	LED
Brightness	350cd/m <sup>2</sup>
Backlight life	More than 30000 hours
Touch panel	4 line precision resistance network (surface hardness 4H)
CPU	ARM RISC 32Bit 800MHz
Storage	256MB NAND Flash Memory+256MB DDR3 Memory
RTC	Built-in
Extensible memory	1 USB Host
Print port	USB Slave (Micro USB)/USB Host/Serial port
Network access	2 * Ethernet
Program download	USB Slave (Micro USB)/USB/Ethernet
VPN	Support HMI remote upload and download and screen monitoring, support PLC passthrough program upload, download and monitoring
Ethernet	2* 10/100M self-adaption port
Communication port	COM0:RS232/RS485/RS422, COM1:RS485/RS422, COM2:RS232
<b>Electrical specifications</b>	
Input power supply	DC10.8V~DC28V
Rated power	5W @24V DC
Allowable loss of power	<3ms
Insulation resistance	Over 50MΩ@500V DC
Hi-pot test	500 VAC 1 minute
<b>Structure specifications</b>	
PCB	Exquisite spraying
Shell material	Engineering plastic
Shape size	271*213*38 mm
Cutout size	260*202 mm
Weight	1.1Kg
<b>Environmental specifications</b>	
Operating ambient temperature	0° C ~ 50° C
Operating ambient humidity	10% to 90% noncondensing
Storage ambient temperature	-20° C ~ 60° C
Storage ambient humidity	10% to 90% noncondensing
Sine vibration test	10~500Hz, 30m/s <sup>2</sup> , X, Y, Z direction/hour
Cooling mode	Natural air cooling
<b>Product certification</b>	
Panel protection grade	Conforming to IP65 certification(4208-93)
CE authentication	EN61000-6-4:2007+A1:2011, EN61000-6-2:2005
<b>Software</b>	
Configuration software	Kinco DTools V3.5.2 and above

Mechanical Dimensions (Unit:mm)





GW Series 15"

**GW01 / GW01-4G / GW01-WiFi**

- Freescale industrial-grade CPU, 800MHz processor, 128MB memory
- Dual-port ethernet + COM, can connect hundreds of mainstream controllers, no need to change the existing architecture
- Easy configuration, easy to achieve data mapping, the device data transfer to the cloud
- Free choice of wireless or 4G, suitable for different demand
- Small size, easy to install (DIN rail installation)



Model	GW01	GW01-4G	GW01-WiFi	Mechanical Dimensions (Unit:mm)
<b>Performance specification</b>				
CPU	ARM RISC 32Bit 800MHz			
Storage	128MB NAND Flash Memory+128MB DDR3 Memory			
RTC	Built-in			
Ethernet	2* 10/100M self-adaption			
WiFi	None	None	2.4GHz WiFi	
4G	None	Built-in	None	
USB	1*USB Slave (Micro USB)			
Program download	USB Slave(Micro USB)/ Ethernet	USB Slave(Micro USB)/ Ethernet	USB Slave(Micro USB)/ Ethernet/WiFi	
Cellular and Wireless	None	LTE-FDD Band 1/3/5/8 LTE-TDD Band 38/39/40/41 UMTS Band 1/8 GSM Band 3/8	IEEE802.11 b/g/n 802.11b:max 17dBm 802.11g:max 17dBm 802.11n:max 17dBm	
VPN	Support box remote upload and download and online monitoring, support PLC passthrough program upload and download and online debugging			
Communication port	COM0:RS232/RS485/RS422, COM2:RS232			
<b>Electrical specifications</b>				
Input power supply	DC12V~DC28V, Built-in isolation power supply			
Rated power	1.5W			
Allowable loss of power	<3ms			
Insulation resistance	Over 50MΩ@500V DC			
Hi-pot test	500 VAC 1 minute			
<b>Structure specifications</b>				
PCB	None of spraying			
Shell color	Black			
Shell material	Metallic			
Shape size	111.6*93.6*30 mm			
Installation	DIN-rail mounting (35mm)			
Weight	0.31Kg			
<b>Environmental specifications</b>				
Operating ambient temperature	-10° C ~ 55° C			
Operating ambient humidity	10% to 90% noncondensing			
Storage ambient temperature	-20° C ~ 60° C			
Storage ambient humidity	10% to 90% noncondensing			
Sine vibration test	10~500Hz, 30m/s², X, Y, Z direction/hour			
Cooling mode	Natural air cooling			
<b>Product certification</b>				
Panel protection grade	Conforming to IP20			
CE authentication	EN61000-6-4:2007+A1:2011, EN61000-6-2:2005			
<b>Software</b>				
Configuration software	Kinco DTools V3.4 and above			

**FUTURE Series industrial HMI for High-end equipment industry**

Kinco FUTURE series industrial HMI that balances the steady demands of industry with the enjoyment of new technologies. Strict material selection, innovative design, adhere to 10 years of ultra-long life cycle; Produced by Kinco intelligent manufacturing Center, the whole process of material and manufacturing can be traced to ensure high quality. Enjoy the new features of DTools configuration software; With the industry leading edge to create high-end equipment preferred products.



**7 leading advantages for high-end equipment industry**

- 1 Powerful processor**  
Industrial CPU, Frequency 1GHz

  - 1GHz Based on Cortex-A9
  - 512MB DDR3 Large memory
  - 4GB eMMC large capacity
- 2 Support ethernet video monitoring**

Be the first to support webcams  
Leading the new trend of industrial equipment video-based scene monitoring  
The full series supports the ONVIF video interface standard
- 3 High quality More stable**

  - Main board three anti - spray
  - Built-in isolated power supply
  - Pure PC material makes strong
  - Operating over a wide temperature range
  - Kinco intelligent manufacturing center production: whole-process quality tracking and monitoring
- 4 Formula data free written**

Unique built-in ferroelectric memory allows frequent erasure  
Important memory data is not lost, not down frequency, fast data reading and writing and power saving perfect combination
- 5 Original industrial LCD screen**

  - Industrial LCD screen
  - 4:3 Large field of view
  - 88 degree wide viewing Angle
  - Wide temperature range: -30° C~80° C
- 6 Standard audio output**

Make the equipment operating with color and sound
- 7 Built-in IoT function**

  - Seamless docking Kinco M-IoT
  - Seamless docking Alibaba Cloud IIoT
  - Data cleaning edge calculation
  - Easy data to cloud
  - Remote download
  - Remote upload
  - Remote monitoring
  - PLC remote on-line debugging

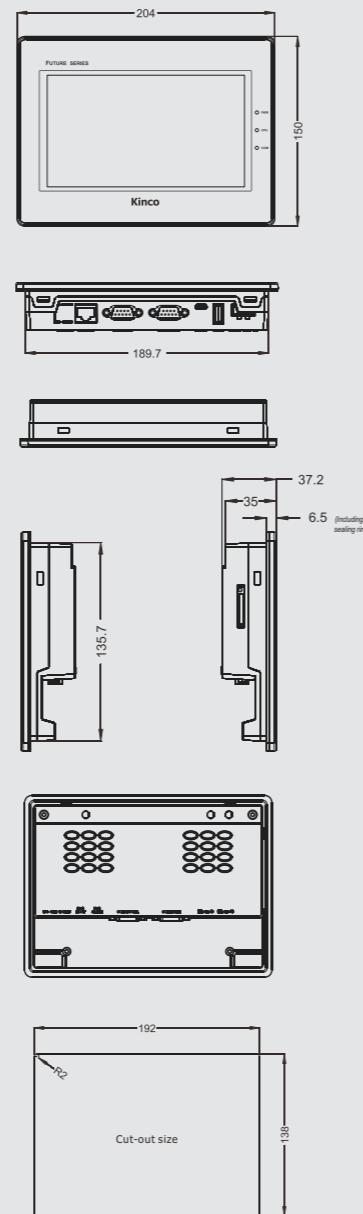
### F070E

- Cortex-A9 industrial-grade CPU, clocked at 1GHz, and memory up to 512M.
- 7", high brightness and high resolution display
- Built-in ferroelectric memory, supporting matching data without erasing a limited number of times.
- Three anti-spraying + isolated power supply to enhance reliability.
- Support network camera connection, real-time dynamic control.
- A new generation of Kinco DTools configuration software, powerful function, simple and easy



Model	F070E
<b>Performance specification</b>	
Display size	7" TFT
Resolution	800*480 pixels
Display color	16.7M true color
Backlight	LED
Brightness	400cd/m <sup>2</sup>
Backlight life	More than 30000 hours
Touch panel	4 line precision resistance network (surface hardness 4H)
CPU	32Bit RISC Cortex-A9 1GHZ
Storage	512MB DDR3 + 8GB eMMC
RTC	Built-in + 32KB
Extensible memory	USB Host
Print port	USB/serial port
Ethernet	1*10/100M self-adaption
Program download	Serial port/USB/Ethernet
Communication port	COM0:RS232/RS485/RS422 COM1:RS232/RS485/RS422 COM2:RS232
Audio output	1*Audio output
Extended interface	None
<b>Electrical specifications</b>	
Input power supply	DC12V~DC28V, Built-in isolation power supply
Rated power	5W
Allowable loss of power	<3ms
Insulation resistance	Over 50MΩ@500V DC
Hi-pot test	500 VAC 1 minute
<b>Structure specifications</b>	
PCB	Exquisite spraying
Shell color	Light gray
Shell material	Engineering plastic
Shape size	204*150*37.2 mm
Cutout size	192*138 mm
Weight	0.57Kg
<b>Environmental specifications</b>	
Operating ambient temperature	-10° C ~ 55° C
Operating ambient humidity	10% to 90% noncondensing
Storage ambient temperature	-20° C ~ 60° C
Storage ambient humidity	10% to 90% noncondensing
Sine vibration test	10~500Hz, 30m/s <sup>2</sup> , X, Y, Z direction/hour
Cooling mode	Natural air cooling
<b>Product certification</b>	
Panel protection grade	Conforming to IP65
CE authentication	Conforming to CE
<b>Software</b>	
Configuration software	Kinco DTools V3.5.1 and above

尺寸图(单位:mm)



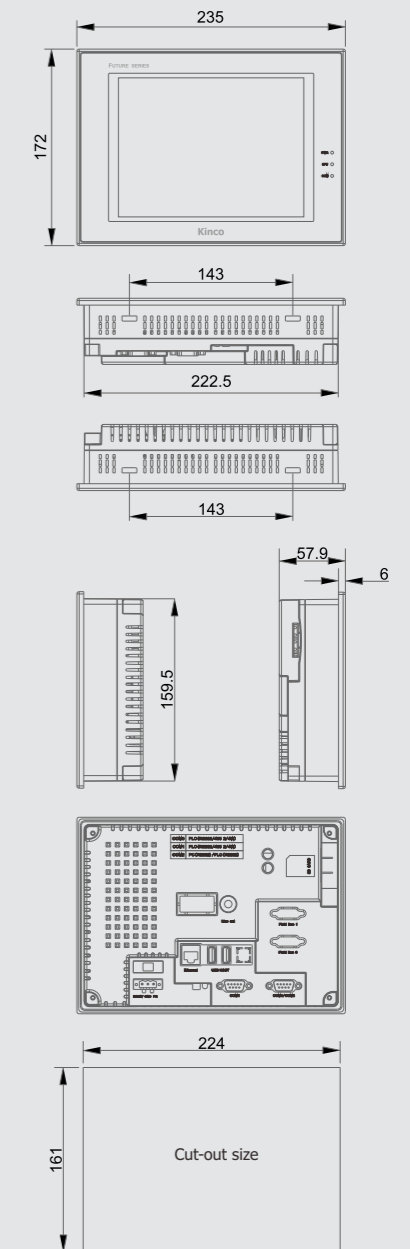
### F080E

- Cortex-A9 industrial-grade CPU, clocked at 1GHz, and memory up to 512M.
- 8", high brightness and high resolution display, 4:3 business size.
- Built-in ferroelectric memory, supporting matching data without erasing a limited number of times.
- Three anti-spraying + isolated power supply to enhance reliability.
- SD card expansion storage space.
- Support network camera connection, real-time dynamic control.
- Support MPI 187.5K.



Model	F080E
<b>Performance specification</b>	
Display size	8" TFT
Resolution	800*600 pixels
Display color	16.7M true color
Backlight	LED
Brightness	250cd/m <sup>2</sup>
Backlight life	More than 30000 hours
Touch panel	4 line precision resistance network (surface hardness 4H)
CPU	32Bit RISC Cortex-A9 1GHZ
Storage	512MB DDR3 + 4GB eMMC
RTC	Built-in + 32KB
Extensible memory	2 USB Host + 1SD Card
Print port	USB Host/serial port
Ethernet	10/100M self-adaption
Program download	U disk/Ethernet
Communication port	COM0:RS232/RS485/RS422 COM1:RS232/RS485/RS422 COM2:RS232
Audio output	1*Audio output
Extended interface	None
<b>Electrical specifications</b>	
Input power supply	DC12V~DC28V, Built-in isolation power supply
Rated power	8W @24V DC
Allowable loss of power	<3ms
Insulation resistance	Over 50MΩ@500V DC
Hi-pot test	500 VAC 1 minute
<b>Structure specifications</b>	
PCB	Exquisite spraying
Shell color	Beige white
Shell material	Engineering plastic
Shape size	235*172*57.9 mm
Cutout size	224*161 mm
Weight	1.3Kg
<b>Environmental specifications</b>	
Operating ambient temperature	-10° C ~ 55° C
Operating ambient humidity	10% to 90% noncondensing
Storage ambient temperature	-20° C ~ 60° C
Storage ambient humidity	10% to 90% noncondensing
Sine vibration test	10~500Hz, 30m/s <sup>2</sup> , X, Y, Z direction/hour
Cooling mode	Natural air cooling
<b>Product certification</b>	
Panel protection grade	Conforming to IP65 certification(4208-93)
CE authentication	EN61000-6-4:2007+A1:2011, EN61000-6-2:2005
<b>Software</b>	
Configuration software	Kinco DTools V3.4 and above

Mechanical Dimensions (Unit:mm)



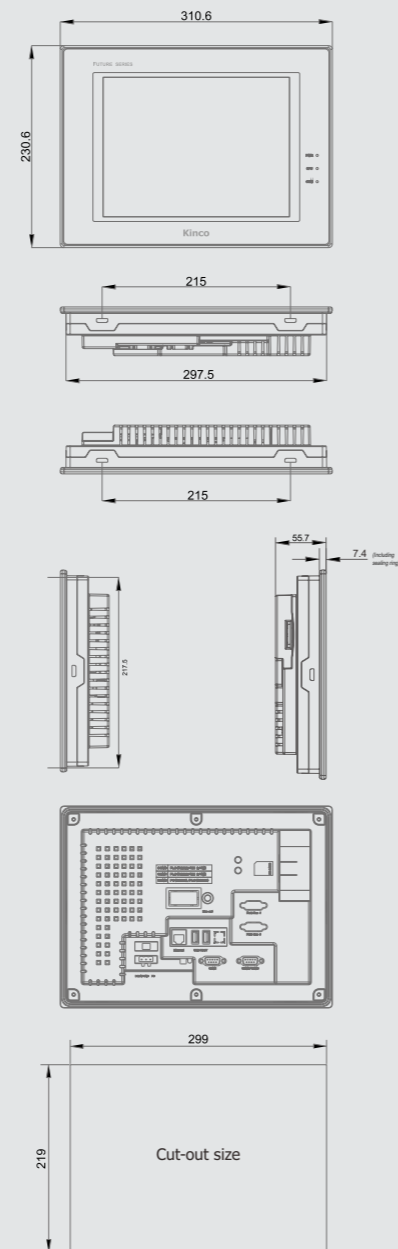
## F104E/F104E-CAN

- Cortex-A9 industrial-grade CPU, clocked at 1GHz, and memory up to 512M;
- 10.4", high brightness and high resolution display, 4: 3 business size;
- Built-in ferroelectric memory, supporting matching data without erasing a limited number of times;
- Three anti-spraying + isolated power supply to enhance reliability;
- SD card expansion storage space;
- Support network camera connection, real-time dynamic control;
- Support MPI 187.5K.



Model	F104E	F104E-CAN
<b>Performance specification</b>		
Display size	10.4" TFT	
Resolution	1024*768 pixels	
Display color	16.7M true color	
Backlight	LED	
Brightness	450cd/m <sup>2</sup>	
Backlight life	More than 50000 hours	
Touch panel	4 line precision resistance network (surface hardness 4H)	
CPU	32Bit RISC Cortex-A9 1GHz	
Storage	512MB DDR3 + 4GB eMMC	
RTC	Built-in + 32KB	
Extensible memory	2 USB Host + 1SD Card	
Print port	USB Host/serial port	
Ethernet	10/100M self-adaption	
Program download	U disk/Ethernet	
Communication port	COM0:RS232/RS485/RS422 COM1:RS232/RS485/RS422 COM2:RS232	
Audio output	1*Audio output	
Extended interface	None	1*CANopen
<b>Electrical specifications</b>		
Input power supply	DC12V~DC28V, Built-in isolation power supply	
Rated power	12W @24V DC	
Allowable loss of power	<3ms	
Insulation resistance	Over 50MΩ@500V DC	
Hi-pot test	500 VAC 1 minute	
<b>Structure specifications</b>		
PCB	Exquisite spraying	
Shell color	Beige white	
Shell material	Engineering plastic	
Shape size	310.6*230.6*55.7 mm	
Cutout size	299*219 mm	
Weight	1.7Kg	
<b>Environmental specifications</b>		
Operating ambient temperature	-10° C ~ 50° C	
Operating ambient humidity	10% to 90% noncondensing	
Storage ambient temperature	-20° C ~ 60° C	
Storage ambient humidity	10% to 90% noncondensing	
Sine vibration test	10~500Hz, 30m/s <sup>2</sup> , X, Y, Z direction/hour	
Cooling mode	Natural air cooling	
<b>Product certification</b>		
Panel protection grade	Conforming to IP65 certification(4208-93)	
CE authentication	EN61000-6-4:2007+A1:2011, EN61000-6-2:2005	
<b>Software</b>		
Configuration software	Kinco DTools V3.4 and above	

尺寸图(单位:mm)



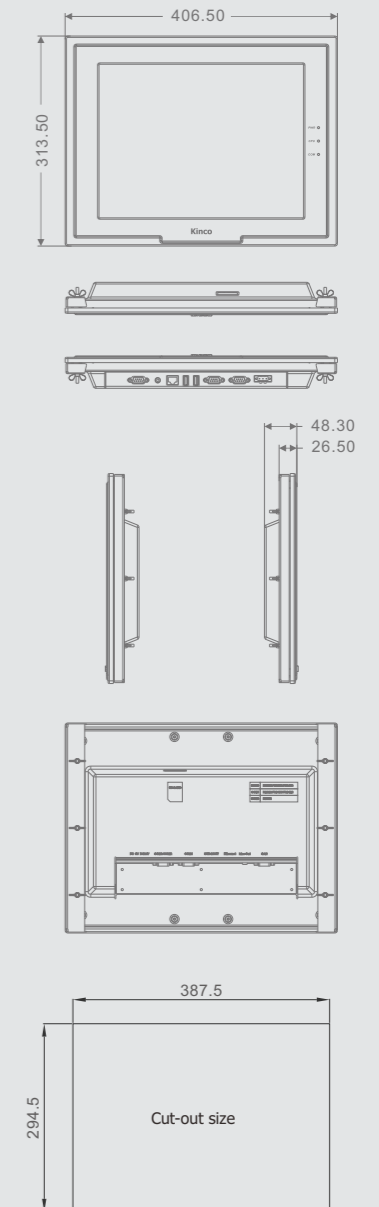
## F150E

- Cortex-A9 industrial-grade CPU, clocked at 1GHz, and memory up to 512M.
- 15", high brightness and high resolution display, 4:3 business size.
- Built-in ferroelectric memory, supporting matching data without erasing a limited number of times.
- SD card expansion storage space.
- Support network camera connection, real-time dynamic control.
- Support MPI 187.5K.



Model	F150E
<b>Performance specification</b>	
Display size	15" TFT
Resolution	1024*768 pixels
Display color	16.7M true color
Backlight	LED
Brightness	300cd/m <sup>2</sup>
Backlight life	More than 50000 hours
Touch panel	4 line precision resistance network (surface hardness 4H)
CPU	32Bit RISC Cortex-A9 1GHz
Storage	512MB DDR3 + 4GB eMMC
RTC	Built-in + 32KB
Extensible memory	2 USB Host + 1SD Card
Print port	USB Host/serial port
Ethernet	10/100M self-adaption
Program download	Serial port/USB Host/Ethernet
Communication port	COM0:RS232/RS485/RS422 COM1:RS232/RS485/RS422 COM2:RS232
Audio output	1*Audio output
Extended interface	1*CANopen
<b>Electrical specifications</b>	
Input power supply	DC12V~DC28V, Built-in isolation power supply
Rated power	12W @24V DC
Allowable loss of power	<3ms
Insulation resistance	Over 50MΩ@500V DC
Hi-pot test	500 VAC 1 minute
<b>Structure specifications</b>	
PCB	Exquisite spraying
Shell color	Black
Shell material	Metallic
Shape size	406.5*313.5*48.3 mm
Cutout size	387.5*294.5 mm
Weight	5Kg
<b>Environmental specifications</b>	
Operating ambient temperature	-10° C ~ 50° C
Operating ambient humidity	10% to 90% noncondensing
Storage ambient temperature	-20° C ~ 60° C
Storage ambient humidity	10% to 90% noncondensing
Sine vibration test	10~500Hz, 30m/s <sup>2</sup> , X, Y, Z direction/hour
Cooling mode	Natural air cooling
<b>Product certification</b>	
Panel protection grade	Conforming to IP65 certification(4208-93)
CE authentication	EN61000-6-4:2007+A1:2011, EN61000-6-2:2005
<b>Software</b>	
Configuration software	Kinco DTools V3.5 and above

Mechanical Dimensions (Unit:mm)



### xF-SiHMI01 Split type industrial HMI

- High-end configuration: Cortex-A9 architecture, primary frequency is 1G, 512MB DDR3 +4GB eMMC.
- HDMI V1.4 Full HD(1920\*1080@60Hz) high-resolution output.
- Standard with 2 USB hosts, 3 serial ports (COM1 is the type of terminal interface), one network port.
- The concept of separating the screen from the host, adapting various display devices, such as TV, monitor, projector, etc., through HDMI interface.
- 2-channel digital input (programmable, standard 24V source), 3-channel digital output (programmable, standard 24V source).
- Optional WiFi 802.11b /g/ N wireless network, SD card to expand storage capacity.
- Various installation methods: DIN rail installation (35mm), VESA rack installation (75\*75mm).



Model	xF-SiHMI01	尺寸图(单位:mm)
<b>Performance specification</b>		
CPU	32Bit RISC Cortex-A9 1GHz	
Storage	512MB DDR3 + 4GB eMMC	
<b>Interface Configuration</b>		
Display port	1*HDMI V1.4 Full HD (1920*1080@60Hz)	
Extensible memory	2*USB Host	
Ethernet	10/100M self-adaption	
Communication port	COM0:RS232/RS485/RS422 COM1:RS485 COM2:RS232	
I/O	2 channel digital input (programmable, standard 24V source) 3 channel digital output (programmable, standard 24V source)	
Output power supply	1*DC 24V power supply (same input voltage), current 500mA	
<b>Electrical specifications</b>		
Rated power	2.4W	
Rated voltage	DC 24V	
Allowable loss of power	<3ms	
Insulation resistance	Over 50MΩ@500V DC	
Hi-pot test	500 VAC 1 minute	
<b>Structure specifications</b>		
PCB	None of spraying	
Shell color	Black	
Shell material	Metallic	
Shape size	113*104*30.2 mm	
Installation	DIN rail installation (35mm) VESA rack installation (75*75mm)	
Weight	0.47Kg	
<b>Environmental specifications</b>		
Operating ambient temperature	0° C ~ 50° C	
Operating ambient humidity	10% to 90% noncondensing	
Storage ambient temperature	-30° C ~ 80° C	
Storage ambient humidity	10% to 90% noncondensing	
Sine vibration test	10~500Hz, 30m/s², X, Y, Z direction/hour	
Cooling mode	Natural air cooling	
<b>Product certification</b>		
Panel protection grade	IP20	
CE authentication	EN61000-6-4:2007+A1:2011, EN61000-6-2:2005	

### GR series Rear installation without front shell

The rear-installation fixation method can perfectly fit the surface of the equipment and be integrated with the equipment.



Model	GR043	GR070E	GR100E
<b>Performance specification</b>			
Display size	4.3"TFT	7"TFT	10.1"TFT
Resolution	480*272 pixels	800*480 pixels	1024*600 pixels
Display color		16.7M true color	
Brightness	450cd/m²	250cd/m²	400cd/m²
Backlight		LED	
Backlight life		More than 30000 hours	
Touch panel		4 line precision resistance network (surface hardness 4H)	
CPU		ARM RISC 32Bit 800MHz	
Storage		128MB NAND Flash Memory+128MB DDR3 Memory	
RTC		Built-in	
Extensible memory		1 USB Host	
Print port		USB Host/serial port	
Ethernet	None	10/100M self-adaption	
Program download	USB Slave(Micro USB)/U disk	USB Slave(Micro USB)/U disk/Ethernet	
Communication port	COM0:RS232/RS485/RS422 COM2:RS232	COM0:RS232/RS485/RS422 COM2:RS232	
<b>Electrical specifications</b>			
Input power supply		DC10.8V~DC28V	
Rated power	2W @24V DC	3.6W @24V DC	6W @24V DC
Allowable loss of power		<3ms	
Insulation resistance		Over 50MΩ@500V DC	
Hi-pot test		500 VAC 1 minute	
<b>Structure specifications</b>			
PCB		None of spraying	
Shell color		-	Metallic gray
Shell material		Metallic	
Shape size	128×75×27mm	190.4*110*30 mm	275.6×163.6×32mm
Cutout size	107.7×69.4 mm	166.7*101.6 mm	236.9×146.3 mm
Weight	0.2Kg	0.3Kg	0.9Kg
<b>Environmental specifications</b>			
Operating ambient temperature		0° C ~ 50° C	
Operating ambient humidity		10% to 90% noncondensing	
Storage ambient temperature		-20° C ~ 60° C	
Storage ambient humidity		10% to 90% noncondensing	
Sine vibration test		10~500Hz, 30m/s², X, Y, Z direction/hour	
Cooling mode		Natural air cooling	
<b>Product certification</b>			
Panel protection grade		Conforming to IP20 certification	
CE authentication		EN61000-6-4:2007+A1:2011, EN61000-6-2:2005	

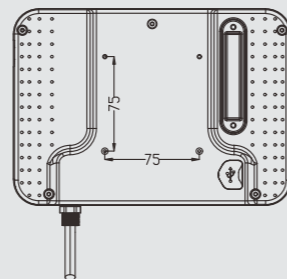
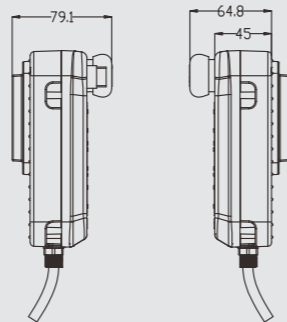
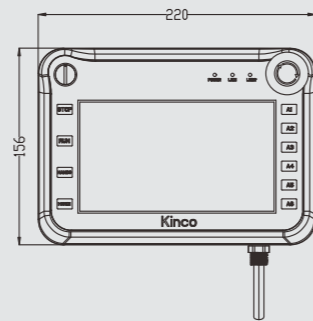
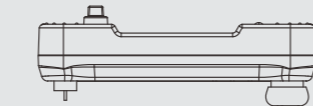


## SZ7G Series handheld terminal



- Basic specification: 7" TFT, 800x480 pixels, 16.7M true color.
- Standard configuration: 3-option switch, emergency stop switch, holding switch, 10 custom buttons, 2 indicators.
- Practical design: both buttons and touch control, more applications, more flexible choices.
- Mobile operation: handheld terminal, standard with 5 meters of cable.
- Various installation methods, such as suspension, scaffolding, etc.

Model	SZ7G	SZ7GS	SZ7GE	SZ7GES	Mechanical Dimensions (Unit:mm)
<b>Performance specification</b>					
Display size	7" TFT				
Resolution	800*480 pixels				
Display color	16.7M true color				
Brightness	250cd/m <sup>2</sup>				
Backlight	LED				
Touch panel	4 line precision resistance network (surface hardness 4H)				
Backlight life	50000 hours				
Programable button	10				
Programable LED	2				
Emergency button	1				
Selection switch	1				
Handhold switch	None	1	None	1	
Processor	ARM RISC 32bit 800MHz				
Memory	128MB NAND Flash +128MB DDR3 RAM				
RTC	Built-in				
Expandable memory	1 USB Host				
Ethernet	None				10M/100M self-adaptive
Program download	Serial port/U disk		U disk/Ethernet		
COM port	COM1:RS485, COM0:RS232		Ethernet		
<b>Electrical specifications</b>					
Input power supply	DC16~32V, Built-in isolation power supply				
Rated power	8W@DC24V				
Power down allowed	<3ms				
Insulation resistance	Over 50MΩ@500V DC				
Dielectric strength test	500V AC 1 minute				
Cable length	5 m				
<b>Structure specifications</b>					
PCB	None of spraying				
Shell color	Black				
Shell material	Engineering plastic				
Dimensions	220*156*45 mm				
Installation	Bracket mounting, suspension mounting				
<b>Environmental specifications</b>					
Operating temperature	0° C ~ 50° C				
Operating humidity	10% to 90% noncondensing				
Storage temperature	-10° C ~ 60° C				
Storage humidity	10% to 90% noncondensing				
Sine vibration test	10~500Hz, 30m/s <sup>2</sup> , X, Y, Z direction/hour				
Cooling mode	Natural air cooling				
<b>Product certification</b>					
Degree of protection	Front panel IP65,overall unit IP62				
CE authentication	EN61000-6-4:2007+A1:2011, EN61000-6-2:2005				
<b>Software</b>					
Configuration software	Kinco DTools V3.4.3 and above				

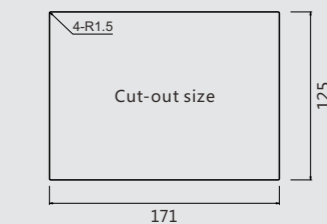
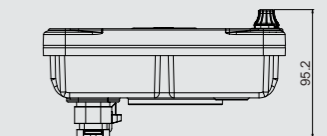
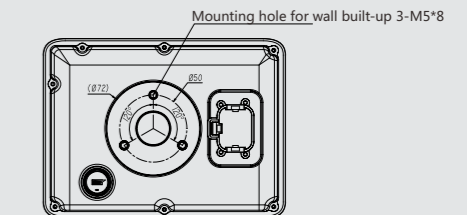
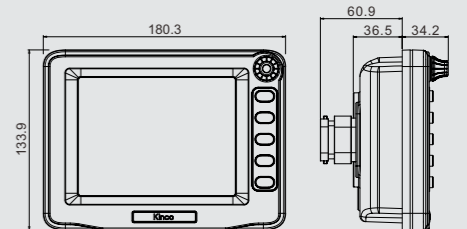


## CZ6 Designed for use in severe environments



- Outer shell use high thermostability,high intensity,anti-uvioresistant material ensure the best performance when HMI working in the severe environment.
- With wide range temperature LCD,working temperature can be -20° C - 60° C.
- Highly shockproof performance.
- Multiple serial ports,CAN port,support CANopen/CAN1939/serials port/RS232/RS485.
- Whole body IP65 protection.

Model	CZ6	Mechanical Dimensions (Unit:mm)
<b>Performance specification</b>		
Display	5.7" TFT	
Resolution	640*480 pixels	
Color	65536 colors	
Brightness	700cd/m <sup>2</sup>	
Backlight	LED	
Backlight life	50000 hrs	
Processor	RISC Cortex-A8 800MHz	
Memory	256MB Flash + 256MB DDR3	
RTC	Built-in	
Expandable memory	1 USB Host	
Print port	USB/serial port	
Ethernet	None	
Program download	1*USB 2.0/Serial port	
COM port	COM0: RS485, COM2: RS232, 1*CANopen	
Extended interface	None	
<b>Electrical specifications</b>		
Input range	DC9V~DC36V	
Rated power	10W@DC24V (Isolation)	
Power down allowed	<3ms	
Insulation resistance	Over 50MΩ@500V DC	
Dielectric strength test	500V AC 1 minute	
<b>Structure specifications</b>		
PCB	None of spraying	
Shell color	Navy blue	
Shell material	Engineering plastic	
Dimensions	180.3*133.9*70.7 mm	
Cutout size	171*125mm	
Weight	1Kg	
<b>Environmental specifications</b>		
Operating temperature	-20° C ~ 60° C	
Operating humidity	10% to 90% noncondensing	
Storage temperature	-30° C ~ 80° C	
Storage humidity	10% to 90% noncondensing	
Sine vibration test	10~500Hz, 30m/s <sup>2</sup> , X, Y, Z direction/hour	
Cooling mode	Natural air cooling	
<b>Product certification</b>		
Degree of protection	IP65 (whole body)	
CE authentication	EN61000-6-4:2007+A1:2011, EN61000-6-2:2005	
<b>Software</b>		
Configuration software	Kinco DTools V3.3 and above	



# CZ10 Customized HMI for vehicle

- RISC Cortex-A8 800MHz CPU, faster and smoother.
- Large capacity, 256MB FLASH+256MB DDR3 RAM.
- Double CAN port design, support CANopen/CANJ1939.
- Double serial port extension, support RS232/485/422.
- Double video input, perfect for multi-channel monitoring.
- The buttons are equipped with adaptive backlight lighting, so that operation at night can be clearly seen.
- Wide temperature industrial-grade liquid crystal, working temperature -20° C ~ 70° C, full Angle of view, high brightness, visible under sunlight.
- All-metal structure body, better heat dissipation performance, better anti-vibration and anti-interference ability.
- Dual isolation circuit for power supply and serial port to minimize fault, downtime and additional service costs caused by interference.



Model	CZ10	Mechanical Dimensions (Unit:mm)
<b>Performance specification</b>		
Display	10.4 " TFT	
Resolution	640*480 pixel	
Color	65536 colors	
Brightness	500cd/m <sup>2</sup>	
Backlight	LED	
Backlight life	50000 hrs	
Touch panel	None	
Funtion keys	16 keys, programmable functions can be customized	
Processor	RISC Cortex-A8 800MHz	
Memory	256MB Flash + 256MB RAM	
RTC	Built-in	
Expandable memory	1 USB Host (Max 16G)	
Print port	USB Host/Slave/serial port	
Program download	1*USB 2.0/Serial port	
COM port	2*CAN,1*RS232/RS485/RS422,1*RS232(isolation)	
Video input	2*CVBS analog signal input(BNC connector) support PAL/NTSC format	
<b>Electrical specifications</b>		
Power supply isolation	Built-in	
Rated power	12W	
Rated voltage	DC 24V	
Input range	DC9V~36V	
Power down allowed	<3ms	
Insulation resistance	Over 50MΩ@500V DC	
Dielectric strength test	500V AC 1 minute	
<b>Structure specifications</b>		
PCB	None of spraying	
Shell color	Brown	
Shell material	Aluminum alloy	
Dimensions	300*226*70 mm	
Cutout size	281*207 mm	
Weight	3.3Kg	
<b>Environmental specifications</b>		
Operating temperature	-20° C ~ 70° C	
Operating humidity	10% to 90% noncondensing	
Storage temperature	-30° C ~ 80° C	
Storage humidity	10% to 90% noncondensing	
Sine vibration test	10~500Hz, 30m/s <sup>2</sup> , X, Y, Z direction/hour	
Cooling mode	Natural air cooling	
<b>Product certification</b>		
Degree of protection	IP65(4280-93)	
CE authentication	EN61000-6-4:2007+A1:2011, EN61000-6-2:2005	
<b>Software</b>		
Configuration software	Kinco DTools V3.3 and above	

# Configuration Software : Kinco DTools



Kinco DTools configuration software. Support simplified Chinese, Chinese, English, Korean, German, Russian, Turkish, Arabic and other eight language versions. Configuration design content supports all installed fonts on your computer system. Support remote cloud monitoring, VNC supports terminal interoperation from screen to screen or screen to PC and mobile phone etc, support installment, PDF browsing, operation log and other convenient control design wizard guide interface, humanized design, what you see is what you get, you can get started quickly.

**IoT function**  
Manufacturers or Users

different Settings channel to collect different data

**Remote service**

Remote desktop, remote penetration  
remote download

**Multi-level event display**

Be the first to report the priority event

**Free upload or download of files**

FTP Client - recipe area browsing, and external storage device file transfer

**Unified register address management**

Centralized management of the use of various registers, can directly jump to the corresponding screen

**Dynamic generation of QR code**

Express the content to be expressed in the form of QR code, such as payment demand

**U-disk automatic import project**

The same project multi-screen download necessary

**Level password management**

16 levels users set  
Different screen can be seen by using different passwords

**User-privilege management**

Different display by different user or permissions, convenient for multi-user management

**CSV File encrypted export**

Improve the confidentiality of historical data, recipes, operational logs, events and other CSV file data