

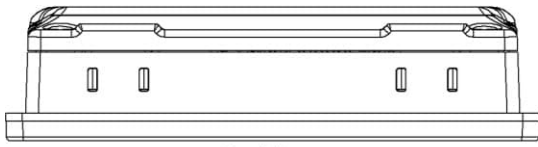
## 4.3" Dual Ethernet Industrial HMI



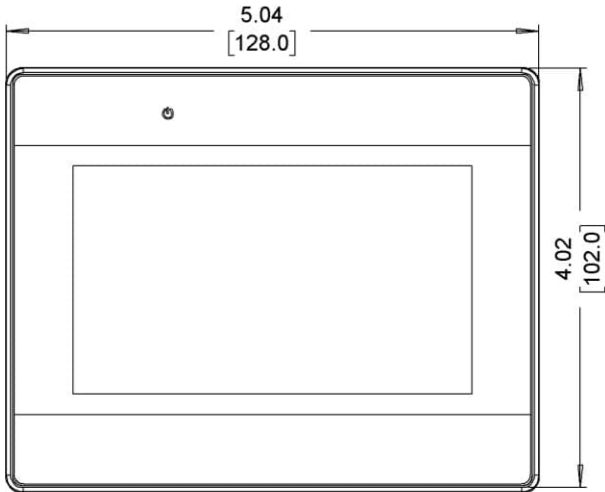
- Enhanced Graphics, Animation
- Enhanced Security
- Email Notification
- Recipe, Data Logging, Pie Charts
- Trend Graphic, Circular Trends
- Remote Access (Easy Access 2.0)



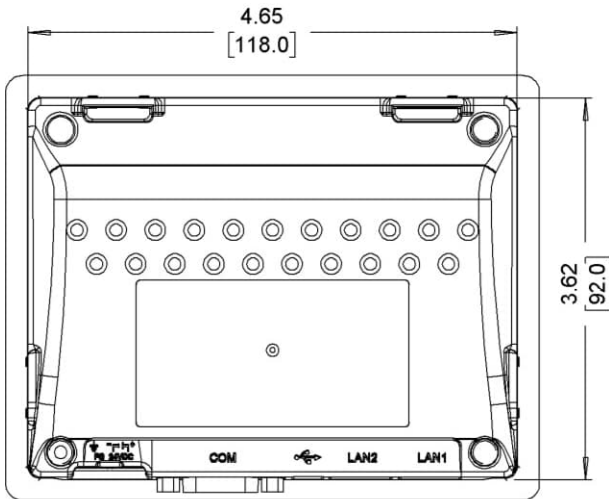
<b>System</b>	<b>CPU</b>	32-bit RISC Cortex-A8, 600 MHz
	<b>Memory (RAM)</b>	128 MB
	<b>Memory (Flash)</b>	128 MB
	<b>RTC</b>	Built-in
<b>I/O Ports</b>	<b>Serial</b>	1 x DE9P COM1: RS-232/RS-485 2 or 4 wire, COM3: RS-485 2 wire
	<b>LAN</b>	1 x 10/100 Base-T RJ-45, 1 x GBE RJ-45
	<b>CANbus</b>	N/A
	<b>USB Host</b>	1 x USB 2.0
	<b>USB Client</b>	N/A
	<b>Audio</b>	N/A
	<b>Video</b>	N/A
	<b>Wi-Fi</b>	N/A
	<b>HDMI®</b>	N/A
	<b>SD Card Slot</b>	N/A
	<b>Display</b>	<b>Display Type</b>
<b>Size (W x H)</b>		3.70 x 2.10 inches [95 x 54 mm]
<b>Resolution (pixels)</b>		480 x 272
<b>Max. Colors</b>		16.7 M
<b>Luminance (cd/m²)</b>		400
<b>Viewing Angle (H°/V°)</b>		160/140
<b>Contrast Ratio</b>		500:1
<b>Backlight Lifetime (hours)</b>	30,000+	
<b>Touch Screen</b>	<b>Type</b>	4-wire resistive touch
	<b>Active Area Accuracy</b>	Length (X) ± 2%, width (Y) ± 2%
<b>Electrical</b>	<b>Input Voltage</b>	22 ~ 28 VDC
	<b>Input Current</b>	450 mA @ 24 VDC
	<b>Input Power</b>	10.8 W
	<b>Power Isolation</b>	Built-in
	<b>Isolation Resistance</b>	Exceed 50 MΩ at 500 VDC
<b>Mechanical</b>	<b>Enclosure</b>	Plastic, light grey
	<b>PCB Coating</b>	Yes
	<b>Dimensions (W x H x D)</b>	5.04 x 4.02 x 1.26 inches [128 x 102 x 32 mm]
	<b>Net Weight</b>	Approx. 0.55 lbs. [0.25 kg]
	<b>Mounting</b>	Panel mounting
<b>Environmental</b>	<b>Operating Temperature</b>	32° ~ 113° F [0° ~ 45° C]
	<b>Storage Temperature</b>	-4° ~ 140° F [-20° ~ 60° C]
	<b>Relative Humidity</b>	10% ~ 90% (non-condensing)
	<b>Vibration Endurance</b>	10 to 25 Hz (X, Y, Z direction, 2 G, 30 minutes)
	<b>Ratings</b>	UL Type 4X (indoor use only), NEMA 4, IP65 compliant front panel
<b>Certifications</b>	CE, cULus, RoHS	
<b>Software</b>	EBPro (v6.00.01.174 or later), EasyAccess 2.0 pre-installed and activated, MQTT, VNC	
<b>Notes</b>	Specifications subject to change without notice	



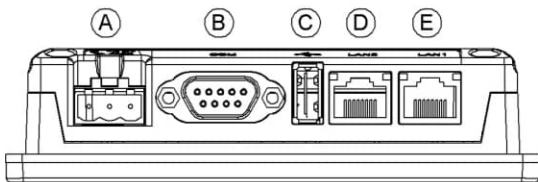
Top View



Front View

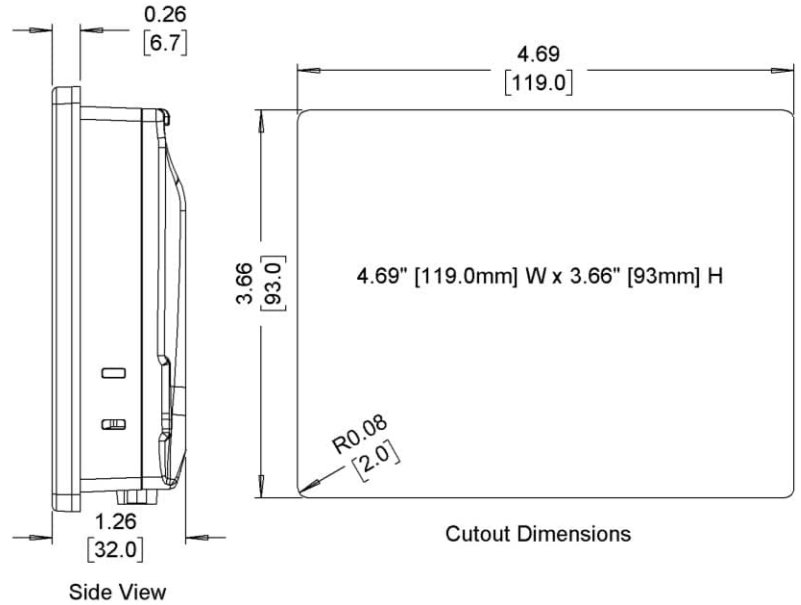


Rear View



Bottom View

Dimensions are in inches [mm]



- A Power Connector
- B COM Port DE9P
- C USB 2.0 Host Port
- D Ethernet Port
- E Gigabit Ethernet port

## Why Buy A Maple HMI

In addition to our powerful and affordable hardware, we'll also continue to support your company long after a sale. Wide product selection, large in-stock inventory, outstanding product warranty, free technical support and software, and in-house repairs with quick turnaround times, Maple Systems has your business covered.



### Class I, Division 2 HMIs

We offer CID2 certified HMIs designed to keep operators and their environment safe. These HMIs are being used in a potentially dangerous environment or around flammable hazards every day, and are designed to prevent dangerous explosions and ensure worker safety.

Our CID2 HMIs (HMI5070L and HMI5070LB) are used in industries including oil and gas, mining, painting, chemical processing, pharmaceutical, food processing, and more.

We also have CID2/Atex certified Industrial Panel PCs and Industrial Monitors. And for those looking for PLC functionality, we offer a Class I, Div 2 HMI+PLC combo series.

### Remote Access

Remote access is the ability to access a HMI or connected device, from another device, at any time, and from anywhere. With our free HMI configuration software and supported hardware solutions, you have the freedom to access the HMI, and all its data and applications, from another device (ex. tablet, smart phone, PC) and control it as if you were standing in front of it.

Need more? Access the [Industrial Internet of Things \(IIoT\)](#) with our Advanced HMIs. Take data from your factory floor and share it with a server (local or a cloud service), offering greater efficiency for network use and enabling better access to and better sharing data for your entire organization.

### Build your SCADA

We offer all the components you need to create your own unique level of supervisory data acquisition and control, from the simplest stand-alone machine to sophisticated multi-device networked production line(s), all the way to enterprise-level operations and IIoT functionalities leveraging cloud connectivity.

Our products can help you standardize communications between devices, gluing different systems together for one source to your SCADA. No need to redesign your entire application. Keep the components that are already working for you, just add Maple Systems components to grow your abilities to supervise, control, and acquire data.

## Power and Flexibility

## Incredible Functionality Out of the Box

- Easily and quickly create the project with functional objects including numeric object, lamp object, combo-button, alarms, and recipes
- Pick and place objects, pictures, and shapes
- Import/export recipes
- Create trend display, graphs, XY plots, and pie charts
- Add passwords and security levels
- Assign communication (PLC) drivers easily and more with our Free HMI software

Additionally our HMIs support remote access solutions with VNC, MQTT, and OPC UA. For additional features see our Advanced HMI series.



## User Friendly HMI Configuration Software

Because designing the layout of screens and user-interface (UI) of the HMI is typically where most of the development time is spent, we've made our Free HMI configuration software easy to use.

- Import tags feature
- Tools to diagnose and monitor PLC to HMI connection
- Debugging tools
- Pre-built libraries
- Off-line and on-line simulation

These are just a few of the ways our software makes creating your project easier. We also have controller information sheets, cable drawings, sample projects, Getting Started Guides, and videos/tutorials available in our [support center](#) 24/7.



## Programmable Logic Controller (PLC) Connectivity

With over 300 PLC & Controller communication protocols, these HMIs will easily integrate with your preferred PLC brands, including:

Allen-Bradley  
Siemens  
Omron  
Emerson  
GE  
Panasonic  
Mitsubishi  
[...and many more](#)

Allen-Bradley **ABB** babcock™

BALDOR *Danfoss* SIEMENS

MITSUBISHI **Parker**

TOSHIBA YASKAWA **Koyo**

Matsushita

## Panel Mount HMI Feature Overview

With few exceptions, all our Standard HMIs support (this covers all the HMI prefix models, ex: HMI5043L/LB, HMI5070L/LB):	With few exceptions, all our Advanced HMIs support (this covers all the cMT2xxx series):	With few exceptions, all our High Performance HMIs support (this covers all the cMT3xxx series HMIs):
Alarm & Event Messages	Alarm & Event Messages	Alarm & Event Messages
Animation - Flow Block	Animation - Flow Block	Animation - Flow Block
ASCII Characters	ASCII Characters	ASCII Characters
Bar Graphs	Bar Graphs	Bar Graphs
Combo Button	Combo Button	Combo Button
Data Logging and Sampling	Data Logging and Sampling	Data Logging and Sampling
Date / Time	Date / Time	Date / Time
Dynamic Drawing	Dynamic Drawing	Dynamic Drawing
Dynamic Scale	Dynamic Scale	Dynamic Scale
EasyAccess 2.0	EasyAccess 2.1	EasyAccess 2.0
EasyWatch	EasyWatch	EasyWatch
Enhanced Security Mode	Enhanced Security Mode	Enhanced Security Mode
Event Alarm Log	Event Alarm Log	Event Alarm Log
File Browser	File Browser	File Browser
Grid Display	Grid Display	Grid Display
Languages (Up to 24 )	Languages (Up to 24 )	Languages (Up to 24 )
Libraries	Libraries	Libraries
Macros	Macros	Macros
Meters & Gauges	Meters & Gauges	Meters & Gauges
Modbus	Modbus	Modbus
Objects (Grouping, Layering, Aligning, Flip)	Objects (Grouping, Layering, Aligning, Flip)	Objects (Grouping, Layering, Aligning, Flip)
Off-line / On-line Simulation	Off-line / On-line Simulation	Off-line / On-line Simulation
OPC UA Client	OPC UA Client	OPC UA Client
Operation Log	Operation Log	Operation Log
Pass-Through Mode	Pass-Through Mode	Pass-Through Mode
Picture Object	Picture Object	Picture Object
Picture Viewer	Picture Viewer	Picture Viewer
Pie Chart	Pie Chart	Pie Chart
PLC Tag Embedded in Project	PLC Tag Embedded in Project	PLC Tag Embedded in Project
Project Password	Project Password	Project Password
Recipes	Recipes	Recipes
Remote Access	Remote Access	Remote Access
Scheduler	Scheduler	Scheduler
Security Levels (Enhanced)	Security Levels (Enhanced)	Security Levels (Enhanced)
System Setting Editor	System Setting Editor	System Setting Editor
Table	Table	Table
Text Object	Text Object	Text Object
Timer Object	Timer Object	Timer Object
Trend Display (Graphs)	Trend Display (Graphs)	Trend Display (Graphs)
User-Defined Start-Up Screen	User-Defined Start-Up Screen	User-Defined Start-Up Screen
Utility Manager	Utility Manager	Utility Manager
VNC Server	VNC Server	VNC Server
XY Plot	XY Plot	XY Plot
Email (1)	Email	Email
Macro Windows Open / Cycle / Close (1)	Macro Windows Open / Cycle / Close	Macro Windows Open / Cycle / Close
MQTT (1)	MQTT	MQTT
String Table (1)	String Table	String Table
Time Synchronization (1)	Time Synchronization	Time Synchronization
USB Tethering (1)	USB Tethering	USB Tethering
VNC Viewer (1)	VNC Viewer	VNC Viewer
	IP Camera	IP Camera
	USB Camera	USB Camera
	Animation (Objects, Word Lamp, GIFs, Moving Shape)	Animation (Objects, Word Lamp, GIFs, Moving Shape)
	BACnet	BACnet
	CANbus	CANbus
	cMT Diagnoser	cMT Diagnoser
	cMT Viewer Support	cMT Viewer Support
	CODESYS (2)	CODESYS (2)
	Media Player	Media Player
	MQTT - Advanced JSON	MQTT - Advanced JSON
	MQTT - AWS IoT, Sparkplug B, Azure IoT Hub, Google Cloud IoT Core	MQTT - AWS IoT, Sparkplug B, Azure IoT Hub, Google Cloud IoT Core
	PDF Reader	PDF Reader
	Web Streaming	Web Streaming
	WebView	WebView
		Barcode Scanner (Android Camera)
		Database Server
		File Transfer Protocol (FTP)
		OPC UA Server
		PLC Web Browser
		SQL Database Server Integration

This table is for illustration only and subject to change. Always check the software to see if a feature is supported in your specific hardware.

(1) Not supported in the B Series

(2) Not supported on the cMT2166X