

MT6070i



• Features

- 7" 480x234 TFT LCD
- Fan-less cooling system
- Built-in flash memory and RTC
- NEMA4/IP65 compliant front panel
- LED Back Light
- One USB Host and one USB client port
- SD card slot
- Power Isolator Inside

• Introduction

MT6000i series is the new HMI generation of Weintek. With the design concept of meeting customers' satisfaction while easy-to-Use attribute as before, a MT6000i not only performs as a Human Machine Interface but also plays as a role of data exchange center. MT6000i series is the best choice for your requirement tomorrow.

The MT6070i includes include a USB 1.1 host, a USB 2.0 high speed device, SD card slot.

• Specifications

- **Construction:** plastic molding housing
- **Display:** 7" color TFT LCD
- **CPU and core logic:** 32Bit RISC 400MHz processor
- **DRAM:** 64 MB DDR2 on board
- **Storage:** 128 MB flash memory on board,
(User project size: 16MB, Data and Event log size: 50MB)
- **I/O:** 3 serial ports: Com1: RS-232/RS-485 2w/4w,
Com2: RS-232,
Com3: RS-232/RS-485 2w
1 USB 1.1 host
1 USB 2.0 high speed device
- **RTC:** Built-in
- **Power input:** 24~40V_{DC}, 250mA@24VDC
- **Dimension (W x H x D):** 200 x 146 x 42.5mm
- **Weight:** 0.85kg
- **Software:** EB8000 V2.0.0 or later

Display type	TFT LCD
Display size (diagonal)	7"
Max colors	65536
Resolution	480 x 234
Pixel pitch (HxV, mm)	0.321 x 0.370
Viewing angle (°)	40/60/60/60(T/B/R/L)
Luminance (cd/m ²)	350
Backlight	LED
Backlight Life time	30,000 hrs.
Contrast ratio	200:1

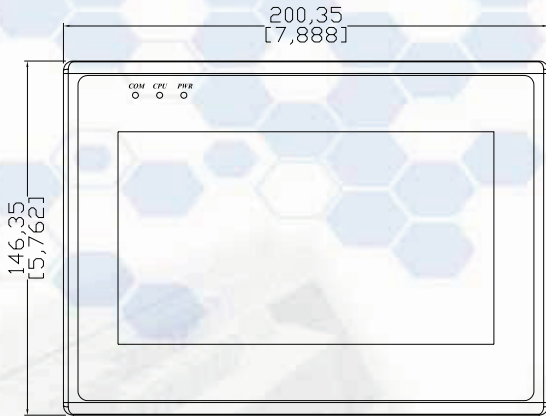
• Touchscreen

- **Type:** 4-wire, analog resistive
- **Resolution:** continuous
- **Light transmission:** above 80%
- **Life:** 1 million activation minimum

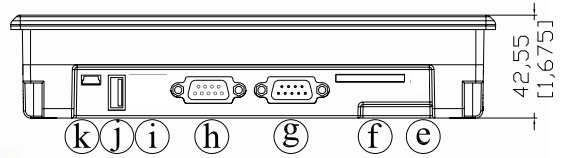
• Environmental Specifications

- **Operating temperature:** -10° ~ 45°C (14° ~ 113°F)
- **Relative humidity:** 10% ~ 90% @ 40°C, non-condensing
- **Shock (operation):** 10 to 25Hz(X,Y,Z direction 2G 30minutes)
- **EMI:** Complies with FCC class A
- **CE:** Complies with EN50081-2 and EN50082-2 standards
- **Front panel meets NEMA4 / IP65**

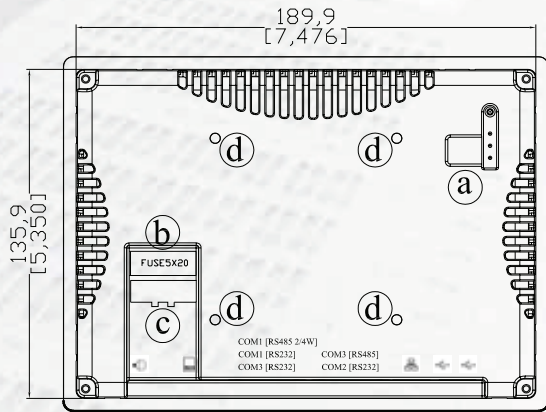
Dimensions Drawing



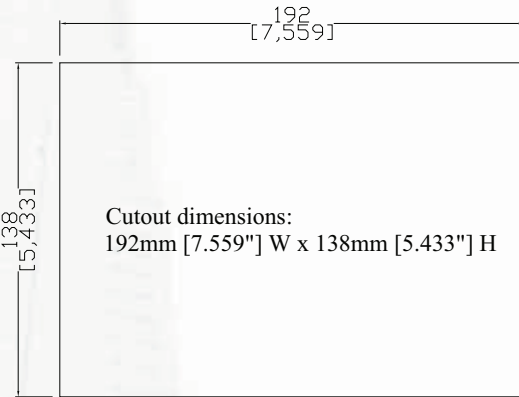
Front View



Bottom View



Rear View



a	DIP SW & Reset button	e	N/A
b	Fuse	f	SD card slot
c	Power connector	g	Com1[232], Com2[232]
d	VESA 75mm screw holes	h	Com1 RS485, Com3 RS485, Com3 RS232
		i	N/A
		j	USB Host port
		k	USB Device port

Ordering Information

- MT6070i:**
7" TFT LCD HMI, 128MB flash memory/64MB DDR2 RAM on board.
- RZCMT6100:**
MT6000/8000 i series download cable / Mini USB to USB 2.0 100 cm