

# MT6056T



## **【Introduction】**

MT6000 series is the new HMI generation of Weintek. With the design concept of meeting customers' satisfaction while easy-to-Use attribute as before, a MT6000 not only performs as a Human Machine Interface but also plays as a role of data exchange center. The data can be shared among MT6000s without limitation and any SCADA/HMI software on the PC can simply access data from MT6000s. MT6000 series is the best choice for your requirement tomorrow.

## ◆ **Specifications**

- **Construction:** plastic molding housing
- **Display:** 5.6" color TFT LCD
- **CPU and core logic:** 32Bit RISC processor
- **DRAM:** 64 MB on board
- **Storage:** 32 MB flash memory on board,  
1 CompactFlash™ card slot.
- **I/O:** 3 serial ports: Com1: RS-232/RS-485 2w/4w,  
Com2: RS-232,  
Com3: RS-232/RS-485 2w  
2 USB 2.0 full-speed host (12Mbps)
- **RTC:** Built-in
- **Power input:** 12~24 V<sub>DC</sub>, 410mA@12VDC  
220mA@24VDC
- **Dimension (W x H x D):** 204 x 150 x 48mm
- **Weight:** 0.85kg
- **Software:** EB8000 V1.2.0 or later

## ◆ **Features**

- 5.6" 320x234 TFT LCD
- Fan-less cooling system
- Built-in flash memory and RTC
- NEMA4/IP65 compliant front panel
- One CompactFlash™ slot
- LED Back Light

## ◆ **LCD Display**

Display type	TFT LCD
Display size (diagonal)	5.6"
Max colors	65536
Resolution	320 x 234
Pixel pitch (HxV, mm)	0.362 x 0.118
Viewing angle (°)	45/65/65/65(T/B/R/L)
Luminance (cd/m <sup>2</sup> )	300
Backlight	LED
Backlight Life time	30,000 hrs.
Contrast ratio	300:1

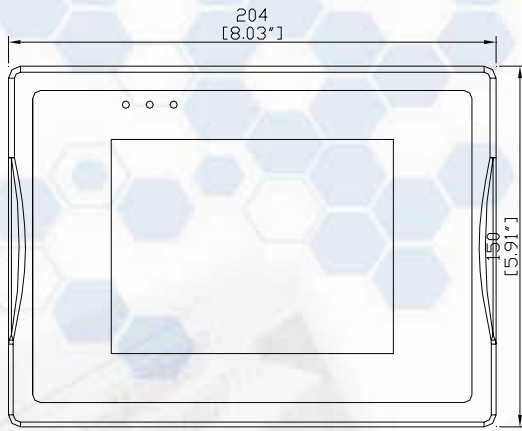
## ◆ **Touchscreen**

- **Type:** 4-wire, analog resistive
- **Resolution:** continuous
- **Light transmission:** above 80%
- **Life:** 1 million activation minimum

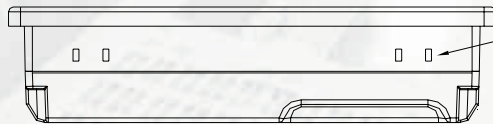
## ◆ **Environmental Specifications**

- **Operating temperature:** -10° ~ 45°C (14° ~ 113°F)
- **Storage temperature:** -20° ~ 75°C (-4° ~ 167°F)
- **Relative humidity:** 10% ~ 90% @ 40°C, non-condensing
- **Shock (operation):** 10 to 25Hz(X,Y,Z direction 2G 30minutes)
- **EMI:** Complies with FCC class A
- **CE:** Complies with EN50081-2 and EN50082-2 standards
- **Front panel meets NEMA4 / IP65**

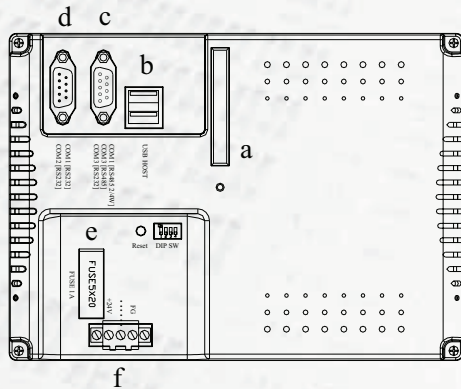
**◆◆ Dimensions Drawing**



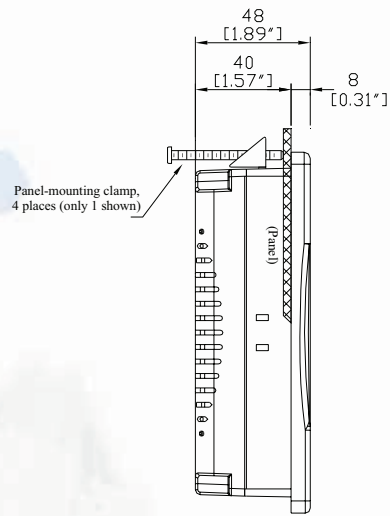
*Front View*



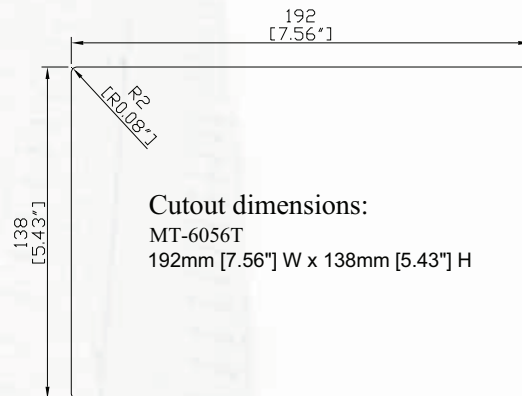
*Bottom View*



*Rear View*



*Side View*



a	CompactFlash™ slot	d	Com1[232], Com2[232]
b	USB Host	e	Fuse
c	Com1[422/485], Com3[485/232]	f	Power connector

**Ordering Information**

- ☐ **MT6056T:**  
5.6" TFT LCD HMI, 32MB flash memory/64MB DRAM on board.
- ☐ **PS506:**  
MT506/606 Protective Sheet 5 sheets per package.