

# MT6050i

Human Machine Interface  
with 4.3" TFT LCD display



## 【 Introduction 】

MT6000 series is the new HMI generation of Weintek. With the design concept of meeting customers' satisfaction while easy-to-Use attribute as before, a MT6000 not only performs as a Human Machine Interface but also plays as a role of data exchange center. MT6000 series is the best choice for your requirement tomorrow.

The MT6050i includes a USB 2.0 high speed device.

## ◆ Specifications

**Construction:** plastic molding housing

**Display:** 4.3" 65,536 color TFT LCD

**CPU and core logic:** 32Bit RISC 400MHz processor

**DRAM:** 64 MB DDR2 on board

**Storage:** 128 MB flash memory on board,  
Recipe memory saved in flash memory, RW 64Kword,  
RW\_A 64Kword.

(User project size: 16MB, Data and Event log size: 48MB)

**I/O:** 1 serial ports: Com1: RS-232/RS-485 2w/4w,  
Com3: RS-485 2w

1 USB 2.0 high speed device

**Power input:** 24±20%V<sub>DC</sub>,250mA@24VDC

**Dimension (W x H x D):** 5.04" x 4.02" x 1.51"

**Weight:** 0.66lb

**Software:** EB8000 V3.0.0 or later

## ◆ Features

4.3" 480x272 TFT LCD

Fan-less cooling system

NEMA4/IP65 compliant front panel

LED Back Light

One USB client port

Power Isolator Inside

Com1 RS485 supports MPI 187.5K

## ◆ LCD Display

Display type	TFT LCD
Display size (diagonal)	4.3"
Max colors	65536
Resolution	480 x 272
Pixel pitch (HxV, mm)	0.198 x 0.198
Viewing angle (°)	50/70/70/70(T/B/R/L)
Luminance (cd/m <sup>2</sup> )	500
Backlight	LED
Backlight Life time	30,000 hrs.
Contrast ratio	600:1

## ◆ Touchscreen

**Type:** 4-wire, analog resistive

**Resolution:** continuous

**Light transmission:** above 80%

**Life:** 1 million activation minimum

## ◆ Environmental Specifications

**Operating temperature:** 0° ~ 50°C (32° ~ 122°F)

**Storage temperature:** -20° ~ 60°C (-4° ~ 140°F)

**Relative humidity:** 10% ~ 90% @ 40°C, non-condensing

**Shock (operation):** 10 to 25Hz(X,Y,Z direction 2G 30minutes)

**CE/FCC :** Complies with EN 55022:2006,Class A

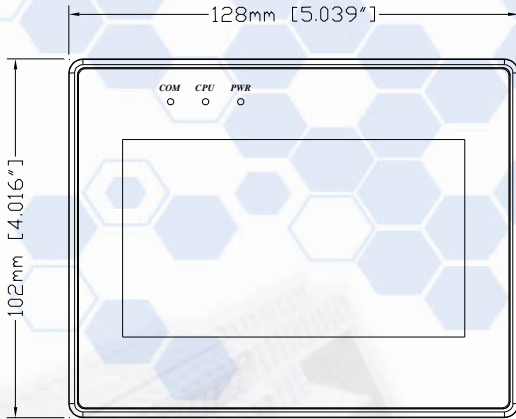
EN 55024:1998+A1:2001+A2:2003

EN 61000-3-2:2006

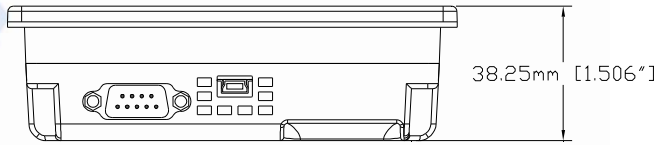
EN 61000-3-3:1995+A1:2001+A2:2005

Front panel meets NEMA4 / IP65

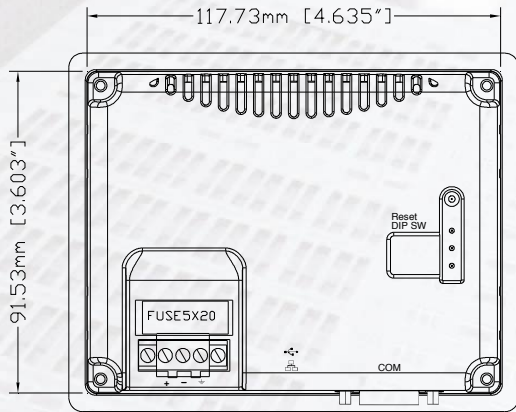
**◆ Dimensions Drawing**



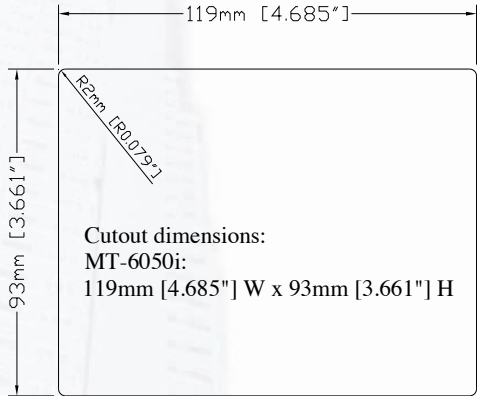
**Front View**



**Bottom View**

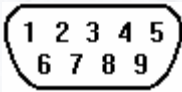


**Rear View**



**Pin Designations**

Pin assignment of the 9 Pin, Male, SUB-D  
 Com1[RS-232], Com1[RS-485 2w/4w], Com3[RS-485]



Pin#	Com1[RS485]		Com1[RS232]	Com3[RS485]
	4 wire	2 wire		
1	Rx-	Data-		
2	Rx+	Data+		
3	Tx-			
4	Tx+			
5	Signal Ground (GND)			
6			Transmit(TxD)	
7				Data-
8				Data+
9			Receive(RxD)	

**Ordering Information**

**MT6050i:**  
 4.3" TFT LCD HMI, 128MB flash memory/64MB DDR2 RAM on board.  
**RZCMT6100:**  
 MT6000/8000 i series download cable / Mini USB to USB 2.0 100 cm