

# MT8104iH

Human Machine Interface  
with 10.4" TFT LCD display



## 【Introduction】

MT8000 series is the new HMI generation of Weintek. With the design concept of meeting customers' satisfaction while easy-to-Use attribute as before, a MT8000 not only performs as a Human Machine Interface but also plays as a role of data exchange center. Through the most popular Ethernet connection, data can be shared among MT8000s without limitation and any SCADA/HMI software on the PC can simply access data from MT8000s. MT8000 series is the best choice for your requirement tomorrow.

The MT8104iH is equipped with a USB 1.1 host, a USB 2.0 high speed device and SD card slot.

## ◆ Specifications

- **Construction:** plastic molding housing
- **Display:** 10.4" 65,536 color TFT LCD
- **CPU and core logic:** 32Bit RISC 400MHz processor
- **DRAM:** 64 MB DDR2 on board
- **Storage:** 128 MB flash memory on board,  
(User project size: 16MB, Data and Event log size: 48MB, Recipe memory RW: 64KWord, RW\_A:64KWord)
- **I/O:** 3 serial ports: Com1: RS-232/RS-485 2w/4w,  
Com2: RS-232,  
Com3: RS-232/RS-485 2w  
1 Ethernet port (10/100Base-T)  
1 USB 1.1 host  
1 USB 2.0 high speed device
- **Sound output:** Line out
- **RTC:** Built-in
- **Power input:** 24±20%V<sub>DC</sub>, 400mA@24VDC
- **Dimension (W x H x D):** 286 x 212 x 50mm
- **Weight:** 1.6kg
- **Software:** EB8000 V3.4.0 or later

## ◆ Features

- 10.4" 800x600 TFT LCD
- Fan-less cooling system
- Built-in flash memory and RTC
- NEMA4/IP65 compliant front panel
- LED Back Light
- One USB Host and one USB client port
- SD card slot
- Power Isolator inside
- Com1 RS485 supports MPI 187.5K

## ◆ LCD Display

Display type	TFT LCD
Display size (diagonal)	10.4"
Max colors	65536
Resolution	800 x 600
Viewing angle (°)	45/65/65/65(T/B/R/L)
Luminance (cd/m <sup>2</sup> )	300
Backlight	LED
Backlight Life time	30,000 hrs.
Contrast ratio	500:1

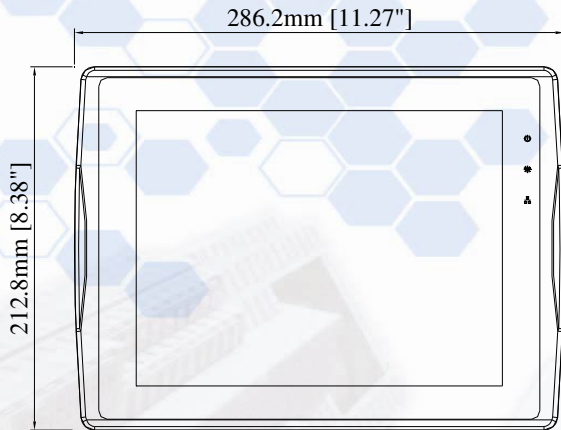
## ◆ Touchscreen

- **Type:** 4-wire, analog resistive
- **Resolution:** continuous
- **Light transmission:** above 80%
- **Life:** 1 million activation minimum

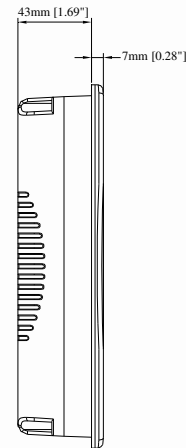
## ◆ Environmental Specifications

- **Operating temperature:** 0° ~ 50°C (32° ~ 122°F)
- **Storage temperature:** -20° ~ 60°C (-4° ~ 140°F)
- **Relative humidity:** 10% ~ 90% @ 40°C, non-condensing
- **Shock (operation):** 10 to 25Hz(X,Y,Z direction 2G 30minutes)
- **CE/FCC :** Complies with EN 55022:2006+A1:2007, Class A  
EN 61000-3-2:2006  
EN 61000-3-3:1995+A1:2001+A2:2005  
EN 55024: 1998+A1: 2001+A2: 2003
- **Front panel meets NEMA4 / IP65**

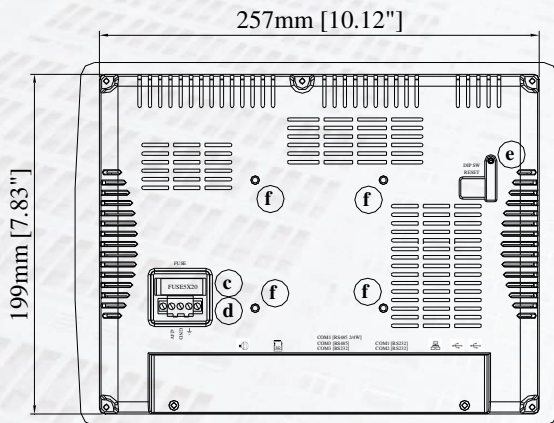
## ◆ Dimensions Drawing



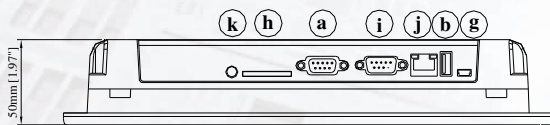
Front View



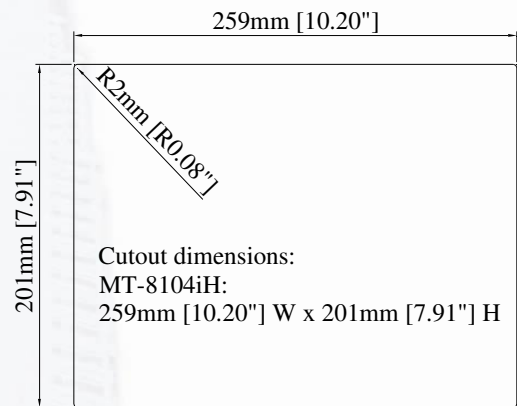
Side View



Rear View



Bottom View



Cutout dimensions:

MT-8104iH:

259mm [10.20\"] W x 201mm [7.91\"] H

a	Com1 RS485, Com3 RS485, Com3 RS232	f	VESA 75mm screw holes
b	USB Host port	g	USB Client port
c	Fuse	h	SD card slot
d	Power connector	i	Com1 RS232, Com2 RS232
e	DIP SW & Reset button	j	Ethernet port (RJ-45)
		k	Line out

## Ordering Information

### ■ MT8104iH:

10.4" 800x600 TFT LCD HMI, 128MB flash memory/64MB DDR2 RAM on board.

### ■ RZCMT6100:

MT6000/8000 i series download cable / Mini USB to USB 2.0 100 cm

### ■ RP0006100:

10.4" Protective Sheet