

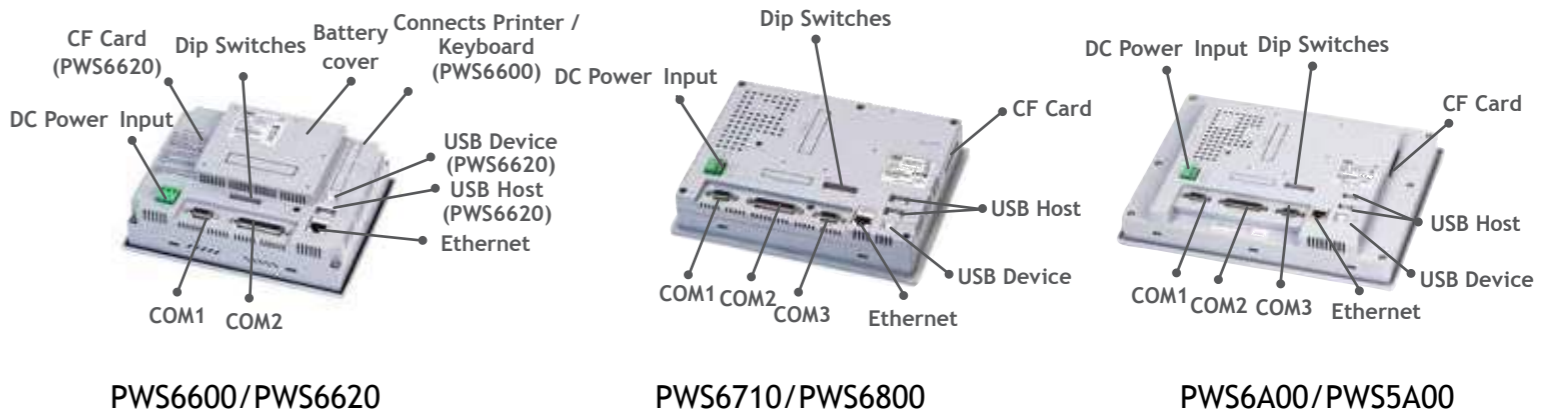
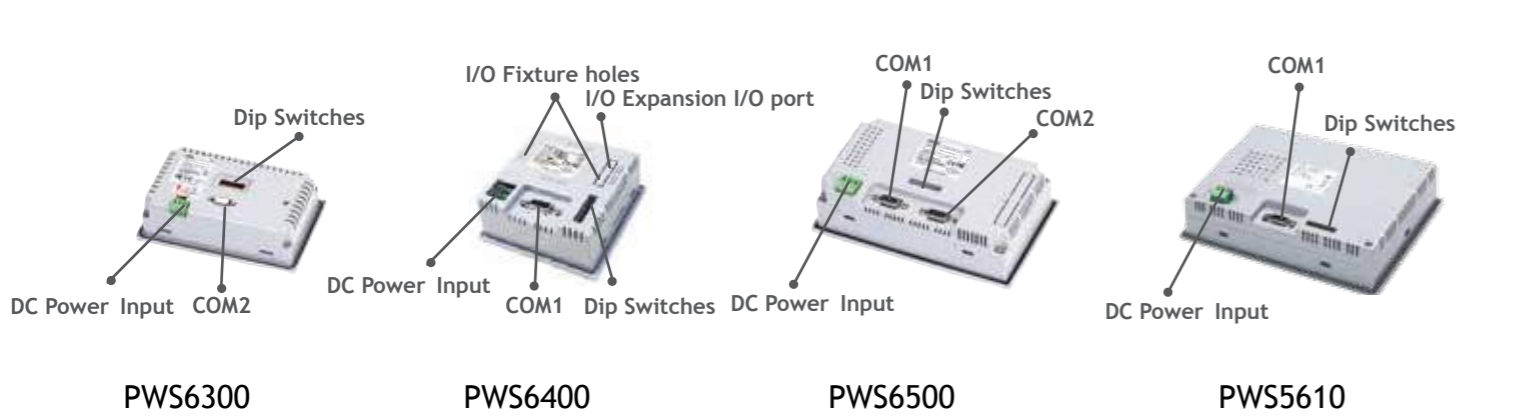
PWS-series HMI

Mono

Colors

3"	PWS6300S <ul style="list-style-type: none"> • 16 shades of gray • STN • COM Port x1 • 160 x 80 		
3.3"	PWS6400F <ul style="list-style-type: none"> • 16 shades of blue • STN • COM Port x1 • 240 x 240 		
4.7"	PWS6500S <ul style="list-style-type: none"> • 16 shades of blue • STN • COM Port x2 • 240 x 128 		
5.7"	PWS5610S <ul style="list-style-type: none"> • 16 shades of blue • STN • COM Port x1 • 320 x 240 	PWS6600S <ul style="list-style-type: none"> • 16 shades of blue • STN • COM Part x2 • 320 x 240 	PWS6620S <ul style="list-style-type: none"> • 16 shades of blue • STN • COM Port x2 • CF Card • USB Host x1 • USB Device x1 • 320 x 240

5.7"	PWS5610T <ul style="list-style-type: none"> • 256 Colors • TFT • COM Port x1 • 320 x 240 	PWS6600T <ul style="list-style-type: none"> • 256 Colors • TFT • COM Port x2 • 320 x 240 	PWS6620T <ul style="list-style-type: none"> • 64K Colors • TFT • COM Port x2 • CF Card • USB Host x1 • USB Device x1 • 320 x 240
7"	PWS6710T <ul style="list-style-type: none"> • 64K Colors • TFT • COM Port x3 • CF Card • USB Host x2 • USB Device x1 • 800 x 480 		
7.5"	PWS6800C <ul style="list-style-type: none"> • 64K Colors • Color STN • COM Port x3 • CF Card • USB Host x2 • USB Device x1 • 640 x 480 		
10.4"	PWS6A00T <ul style="list-style-type: none"> • 64K Colors • TFT • COM Port x3 • CF Card • USB Host x2 • USB Device x1 • 640 x 480 	PWS5A00T <ul style="list-style-type: none"> • 64K Colors • TFT • COM Port x3 • CF Card • USB Host x2 • USB Device x1 • 800 x 480 	



File protection

Protecting the application from unauthorized upload and download is essential in today's manufacturing world. The "File Protection" feature ensures that only authorized users can access sensitive information.

- Impossible to upload the protected application from the terminal without the correct password

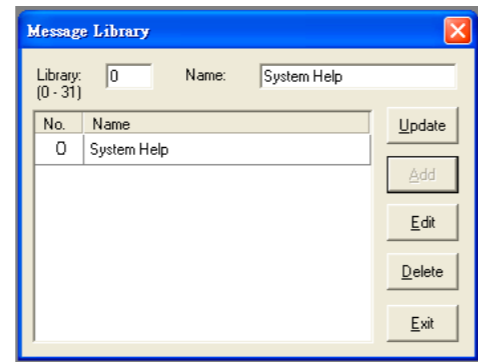


• File protection

Message Library

The message library assists designers in displaying message information by displaying pre-defined messages based on different circumstances.

- Designers can create 32 message libraries; each libraries can set up to 512 messages
- Each message can be defined by any control machine's signal address and internal memory

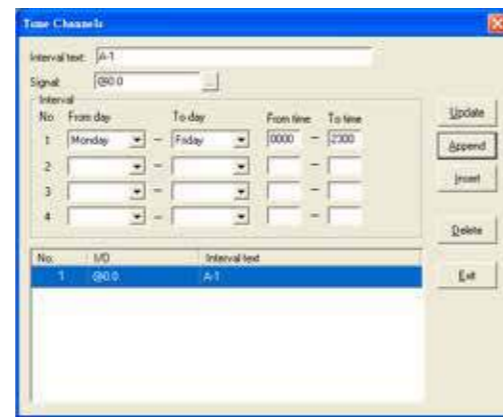


• Message Library

Time Channel

Time channel functions can help designers in pre-setting weekly times when the default BIT address is set to ON, with other times automatically designated as OFF.

- Designers can create up to 32 time channels; each channel is capable of 4 default BIT address ON time periods
- Each default BIT address can be defined by any controller's address and internal memory

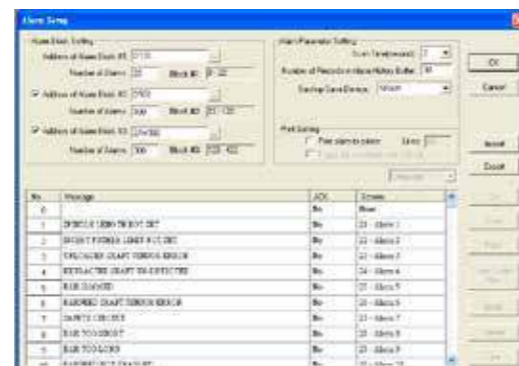


• Time Channel

Alarm Group

Alarm functions can be used by designers to easily manage alarms and direct them toward different controllers to provide different alarm messages. Alarms can also be saved in the internal memory with a USB/CF card and can also be printed out directly on the printer when an incident occurs.

- Designers can create 3 different alarm groups, with each one providing defined alarms for different control machines
- With alarm messages in multiple languages, designers can export/import messages in EXCEL files to define
- Alarm occurrences for printing or storage via USB memory stick or CF cards and provide users with remote viewing from a PC



• Alarm Group

HMI I/O Controller for PWS6400F-P

Save the cost of your PLC

The compact new HMI I/O Controller not only enables easy interfacing with Beijer Electronics' HMI but also allows the user to implement simple monitoring and automation tasks without the need of a PLC. Easy to install and cost effective, the HMI I/O Controller was developed for the popular PWS6400F-P facilitating the aim of the PWS-series to offer valuable HMI functionality at the precise level required by the customer.

Built-in processor for optimal speed

Up to 16 modules per PWS6400F-P can be stacked up and the module's built-in processor means that the PWS6400F-P operates at optimal speed with no adverse effects.

Easy configuration with ADP

The utilization of Macro and Ladder commands offers easy configuration of your HMI I/O Controller with ADP. Monitoring and automation tasks can easily be developed with ADP. This intuitive HMI configuration software features flexible tools that allow projects to be created in just a few minutes, offering instant off-line and on-line simulation. ADP saves valuable time, providing ready-made modules that can be utilized for arithmetic calculations, logical operators and bit settings etc.

Technical data

I/O Module	EM-IOB-C4-00-RC	EM-IOB-88-00-RC
Digital inputs	12	8
Type	DC	
Input Voltage	5mA@24V	
Maximum Voltage	24V	
Isolation	Photo-coupler	
Input per common	12	8
Digital outputs	4	8
Type	DC	
Maximum Voltage	24V	
Maximum Ampere	0.5A	
Response time	ON: 10 ms, OFF: 5 ms	
Weight	0.1 Kg	
Operating temperature	-10 to +60 °C	
Storage temperature	-20 to +70 °C	
Relative humidity	5-85% (non-condensed)	
Dimensions (WxHxD)	80.6 x 52.5 x 42.9 mm	
Vibration	10 to 55 Hz (double amplitude of 1.5 mm)	



PWS-series overview



	PWS6300S-S	PWS6400F-S	PWS6400F-P	PWS6500S-S	PWS6560S-S	PWS5610S-S	PWS5610T-S	PWS6600S-S	PWS6600S-P	PWS6600T-S	PWS6600T-P	PWS6620S-P	PWS6620S-N	PWS6620T-P	PWS6620T-N	PWS6710T-P	PWS6710T-N	PWS6800C-P	PWS6800C-N	PWS6A00T-P	PWS6A00T-N	PWS5A00T-P
LCD Type	Mono STN LCD	Mono STN LCD	Mono STN LCD	Mono STN LCD	Color TFT LCD	Mono STN LCD	Color TFT LCD	Mono STN LCD	Color TFT LCD	Mono STN LCD	Color TFT LCD	Mono STN LCD	Color TFT LCD	Mono STN LCD	Color TFT LCD	Color TFT LCD	Color STN LCD	Color TFT LCD	Color TFT LCD	Color TFT LCD	Color TFT LCD	Color TFT LCD
Screen size	3" (diagonal)	3.3" (diagonal)	4.7"(diagonal)	5.7"(diagonal)	5.7" (diagonal)	5.7" (diagonal)	5.7" (diagonal)	5.7" (diagonal)	5.7" (diagonal)	5.7" (diagonal)	5.7" (diagonal)	5.7" (diagonal)	5.7" (diagonal)	5.7" (diagonal)	5.7" (diagonal)	7" (diagonal)	7.5" (diagonal)	10.4" (diagonal)	10.1" (diagonal)	10.4" (diagonal)	10.1" (diagonal)	
Display resolution	160 x 80	240 x 240	240 x 128	320 x 240	320 x 240	320 x 240	320 x 240	320 x 240	320 x 240	320 x 240	320 x 240	320x240	320x240	320x240	320x240	800x480	640 x 480	640 x 480	640 x 480	640 x 480	640 x 480	800 x 480
Brightness (cd/m2)	35	220	110	110	400	160	400	160	400	160	400	160	400	160	400	400	200	450	300	450	300	300
Contrast adjustment	Via VR	Via touch panel	Via touch panel	Via touch panel	Via external keyboard (sold sperately)	Via touch panel	—	Via touch panel	—	Via touch panel	—	Via touch panel	—	Via touch panel	—	—	Via touch panel	—	Via touch panel	—	Via touch panel	—
Display colors	16 shades of gray	16 shades of blue	16 shades of blue	16 shades of blue	16 shades of blue	256 colors	256 colors	16 shades of blue	256 colors	16 shades of blue	256 colors	16 shades of blue	64K colors	64K colors	64K colors	64K colors	64K colors	64K colors	64K colors	64K colors	64K colors	64K colors
Back light type	LED	LED	CCFL	LED	LED	LED	LED	LED	LED	LED	LED	CCFL	LED	LED	LED	LED	CCFL	LED	LED	LED	LED	LED
CPU	32-bit RISC	32-bit RISC	32-bit RISC	32-bit RISC	32-bit RISC	32-bit RISC	32-bit RISC	32-bit RISC	32-bit RISC	32-bit RISC	32-bit RISC	32-bit RISC	32-bit RISC	32-bit RISC	32-bit RISC	32-bit RISC	32-bit RISC	32-bit RISC	32-bit RISC	32-bit RISC	32-bit RISC	32-bit RISC
Back light life	50,000 hours	30,000 hours	30,000 hours	20,000 hours	50,000 hours	30,000 hours	50,000 hours	30,000 hours	50,000 hours	30,000 hours	50,000 hours	50,000 hours	50,000 hours	50,000 hours	20,000 hours	60,000 hours	50,000 hours	20,000 hours	60,000 hours	50,000 hours	20,000 hours	20,000 hours
Operation Status LED	PWR & COM2 LEDs	PWR & COM1, LEDs	PWR & COM1, COM2 LEDs	PWR & COM1, COM2 LEDs	PWR & COM1, COM2 LEDs	PWR, COM1, COM2, Ethernet LEDs	PWR, COM1, COM2, Ethernet LEDs	PWR, COM1, COM2, Ethernet LEDs	PWR, COM1, COM2, Ethernet LEDs	PWR, COM1, COM2, Ethernet LEDs	PWR, COM1, COM2, Ethernet LEDs	PWR, COM1, COM2, Ethernet LEDs	PWR, COM1, COM2, Ethernet LEDs	PWR, COM1-3, Ethernet LEDs	PWR, COM1-3, Ethernet LEDs	PWR, COM1-3, Ethernet LEDs	PWR, COM1-3, Ethernet LEDs	PWR, COM1-3, Ethernet LEDs	PWR, COM1-3, Ethernet LEDs	PWR, COM1-3, Ethernet LEDs	PWR, COM1-3, Ethernet LEDs	PWR, COM1-3, Ethernet LEDs
Touch screen	—	Analog	Analog	Via external keyboard (sold sperately)	Analog	Analog	Analog	Analog	Analog	Analog	Analog	Analog	Analog	Analog	Analog	Analog	Analog	Analog	Analog	Analog	Analog	Analog
Touch screen (number of times)	—	> 1,000,000	> 1,000,000	—	> 1,000,000	> 1,000,000	> 1,000,000	> 1,000,000	> 1,000,000	> 1,000,000	> 1,000,000	> 1,000,000	> 1,000,000	> 1,000,000	> 1,000,000	> 1,000,000	> 1,000,000	> 1,000,000	> 1,000,000	> 1,000,000	> 1,000,000	> 1,000,000
Keypad	16 mechanical switches	—	—	128 mechanical switches	—	1 Menu key and 5 user-defined function keys (F1-F5)	1 Menu key and 5 user-defined function keys (F1-F5)	1 Menu key and 5 user-defined function keys (F1-F5)	1 Menu key and 5 user-defined function keys (F1-F5)	1 Menu key and 5 user-defined function keys (F1-F5)	1 Menu key and 5 user-defined function keys (F1-F5)	1 Menu key and 5 user-defined function keys (F1-F5)	1 Menu key and 5 user-defined function keys (F1-F5)	1 Menu key and 6 user-defined function keys (F1-F6)	1 Menu key and 6 user-defined function keys (F1-F6)	1 Menu key and 6 user-defined function keys (F1-F6)	1 Menu key and 6 user-defined function keys (F1-F6)	1 Menu key and 6 user-defined function keys (F1-F6)	1 Menu key and 6 user-defined function keys (F1-F6)	1 Menu key and 7 user-defined function keys (F1-F7)	1 Menu key and 7 user-defined function keys (F1-F7)	1 Menu key and 7 user-defined function keys (F1-F7)
Application Flash ROM	4MB	4MB	4MB	4MB	2MB	4MB	4MB	4MB	4MB	4MB	4MB	4MB	4MB	8MB	8MB	8MB	8MB	8MB	8MB	8MB	8MB	8MB
RAM	128KB	512KB	512KB	512KB	512KB	512KB	512KB	512KB	512KB	512KB	512KB	16MB	16MB	16MB	16MB	16MB	16MB	16MB	16MB	16MB	16MB	16MB
Data/Recipe	—	—	8KB	—	256KB	—	512KB	—	512KB	—	512KB	512KB	512KB	512KB	512KB	512KB	512KB	512KB	512KB	512KB	512KB	512KB
RTC (w/rechargeable lithium battery)	changeable lithium battery	Yes	Yes	Yes	changeable lithium battery	Yes	Yes	Yes	Yes	Yes	Yes	Yes	Yes	Yes	Yes	Yes	Yes	Yes	Yes	Yes	Yes	Yes
Data storage (CF card)	—	—	—	—	—	—	—	—	—	—	—	Yes	Yes	Yes	Yes	Yes	Yes	Yes	Yes	Yes	Yes	Yes
COM1	—	9-pin female (RS232/RS422/RS485)	9-pin female (RS232/RS485)	9-pin female (RS232/RS485)	9-pin female(RS232/RS485/RS422 without RTS/CTS) or (RS232, COM2 RS422/RS485 without RTS/CTS)	9-pin female (RS232/RS485)	9-pin female (RS232/RS485)	9-pin female (RS232/RS485)	9-pin female (RS232/RS485)	9-pin female (RS232/RS485)	9-pin female (RS232/RS485)	9-pin female (RS232/RS485)	9-pin female (RS232/RS485)	9-pin female (RS232/RS485)	9-pin female (RS232/RS485)	9-pin female (RS232/RS485)	9-pin female (RS232/RS485)	9-pin female (RS232/RS485)	9-pin female (RS232/RS485)	9-pin female (RS232/RS485)	9-pin female (RS232/RS485)	9-pin female (RS232/RS485)
COM2	9-pin female (RS232/RS422/RS485)	—	9-pin female (RS422/RS485)	—	25-pin female (RS232/RS422/RS485)	25-pin female (RS232/RS422/RS485)	25-pin female (RS232/RS422/RS485)	25-pin female (RS232/RS422/RS485)	25-pin female (RS232/RS422/RS485)	25-pin female (RS232/RS422/RS485)	25-pin female (RS232/RS422/RS485)	25-pin female (RS232/RS422/RS485)	25-pin female (RS232/RS422/RS485)	25-pin female (RS232/RS422/RS485)	25-pin female (RS232/RS422/RS485)	25-pin female (RS232/RS422/RS485)	25-pin female (RS232/RS422/RS485)	25-pin female (RS232/RS422/RS485)	25-pin female (RS232/RS422/RS485)	25-pin female (RS232/RS422/RS485)	25-pin female (RS232/RS422/RS485)	25-pin female (RS232/RS422/RS485)
COM3	—	—	—	—	—	—	—	—	—	—	—	—	—	9-pin female (RS422/RS485)	9-pin female (RS422/RS485)	9-pin female (RS422/RS485)	9-pin female (RS422/RS485)	9-pin female (RS422/RS485)	9-pin female (RS422/RS485)	9-pin female (RS422/RS485)	9-pin female (RS422/RS485)	9-pin female (RS422/RS485)
USB Host	—	—	—	—	—	—	—	—	—	—	—	1	1	2	2	2	2	2	2	2	2	2
USB Device	—	—	—	—	—	—	—	—	—	—	—	1	1	1	1	1	1	1	1	1	1	1
Multi-functional port	—	—	—	—	—	—	—	26-pin connector for printer	—	—	26-pin connector for printer	—	—	—	—	—	—	—	—	—	—	—
Ethernet	—	—	—	—	—	—	—	—	—	—	—	Yes	—	—	Yes	—	Yes	—	Yes	—	Yes	—
External dimensions (mm)	173.0 (W) x 105.5 (H) x 51.8 (D)	96 (W) x 96 (H) x 40.6 (D)	170.3 (W) x 102.6 (H) x 45.3 (D)	195.0 (W) x 145.0 (H) x 40.2 (D)	195.0 (W) x 145.0 (H) x 59.1 (D)	195.0 (W) x 145.0 (H) x 59.1 (D)	195.0 (W) x 145.0 (H) x 59.1 (D)	195.0 (W) x 145.0 (H) x 59.1 (D)	195.0 (W) x 145.0 (H) x 59.1 (D)	195.0 (W) x 145.0 (H) x 59.1 (D)	195.0 (W) x 145.0 (H) x 59.1 (D)	195.0 (W) x 145.0 (H) x 59.1 (D)	195.0 (W) x 145.0 (H) x 59.1 (D)	231.0 (W) x 176.0 (H) x 46.8 (D)	231.0 (W) x 176.0 (H) x 46.8 (D)	231.0 (W) x 176.0 (H) x 46.8 (D)	231.0 (W) x 176.0 (H) x 46.8 (D)	231.0 (W) x 176.0 (H) x 46.8 (D)	231.0 (W) x 176.0 (H) x 46.8 (D)	297.0 (W) x 222.0 (H) x 52.3 (D)	297.0 (W) x 222.0 (H) x 52.3 (D)	297.0 (W) x 222.0 (H) x 52.3 (D)
Cut-out dimensions (mm)	160.8 x 93.3	89.3 x 89.3	160.7 x 93.0	185.8 x 135.8	185.8 x 135.8	185.8 x 135.8	185.8 x 135.8	185.8 x 135.8	185.8 x 135.8	185.8 x 135.8	185.8 x 135.8	185.8 x 135.8	185.8 x 135.8	220.8 x 165.8	220.8 x 165.8	220.8 x 165.8	220.8 x 165.8	220.8 x 165.8	220.8 x 165.8	286.0 x 211.0	286.0 x 211.0	286.0 x 211.0
Supply voltage	24V DC ±15 %, < 8W	24V DC ±15 %, < 4W	24V DC ±15 %, < 12W	24V DC ±15 %, < 8W	24V DC ±15 %, < 20W	24V DC ±15 %, < 20W	24V DC ±15 %, < 20W	24V DC ±15 %, < 20W	24V DC ±15 %, < 20W	24V DC ±15 %, < 20W	24V DC ±15 %, < 20W	24V DC ±15 %, < 20W	24V DC ±15 %, < 20W	24V DC ±15 %, < 24W	24V DC ±15 %, < 24W	24V DC ±15 %, < 24W	24V DC ±15 %, < 24W	24V DC ±15 %, < 24W	24V DC ±15 %, < 24W	24V DC ±15 %, < 30W	24V DC ±15 %, < 30W	24V DC ±15 %, < 30W
Front protection	IP65	IP65	IP65	IP65	IP65	IP65	IP65	IP65	IP65	IP65	IP65	IP65	IP65	IP65	IP65	IP65	IP65	IP65	IP65	IP65	IP65	IP65
Certification	CE,UL,FCC	CE,UL,FCC	CE,UL,FCC	CE,FCC	CE,UL,FCC	CE,UL,FCC	CE,UL,FCC	CE,UL,FCC	CE,UL,FCC	CE,UL,FCC	CE,UL,FCC	CE,UL,FCC	CE,UL,FCC	CE,UL,FCC	CE	CE,UL,FCC	CE,UL,FCC	CE,UL,FCC	CE,UL,FCC	CE,UL,FCC	CE,UL,FCC	CE
Weight (kg)	0.37	0.21	0.47	0.55	0.5	0.81	0.75	0.81	0.75	0.81	0.75	0.81	0.75	1.05	1.20	1.05	1.20	1.05	1.20	1.87	1.51	1.51

The PWS-series consists of various models and versions

PWS-6se0d-v
S: Size(Inch) **e:** Enhancement model **d:** (C: COLOR, T: TFT, S: STN, F: FSTN) **V:** Version (S: standard, P: plus, N: network)

Standard version

Includes most software and hardware requirements for an operator terminal, such as alarm handling, Windows™ fonts, multi-language support, animated graphics and macro/ladder features.

Plus version

Has the same functionality as the Standard version as well as data/recipe handling and a communication port for a printer or external keyboard.

Network version

The network version is a Plus version with an integral Ethernet networking port.