

ROBOT OPTIONS

Torch Cleaning Equipment

Item	Part Number	
Nozzle Cleaning Machine (100VAC Input)	K-2724	
Nozzle Cleaning / Cutting Machine (100VAC Input)	K-2725	
Wire Cutting Machine (100VAC Input)	K-2726	
Spring Reamer & Vacuum Cleaner (100VAC Input)	L-10748	
Step Down Transformer (Required for all Stations)	VC300J	
For Cleaning and Cleaning & Cut Stations	13mm Reamer Drill (#8 Nozzle)	5096-145
	13mm Reamer Bushing (#8 Nozzle)	5096-148
	16mm Reamer Drill (#10 Nozzle)	5096-146
	16mm Reamer Bushing (#10 Nozzle)	5096-149
	19mm Reamer Drill (#12 Nozzle)	5096-147
For Cut and Cleaning & Cut Stations	Shearing Blade for Wire Cutter	5096-306
	Shearing Blade for Wire Cutter	5096-307
Clean Kit Stand Assembly	1L0298B00	



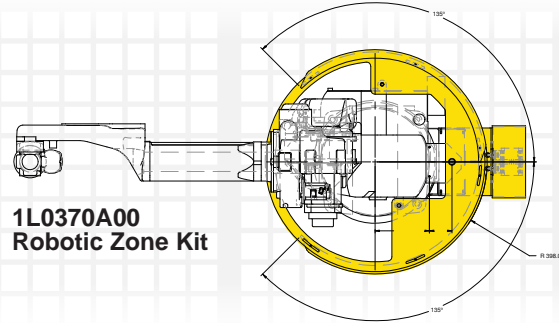
**K-2726
Wire Cutting
Machine**



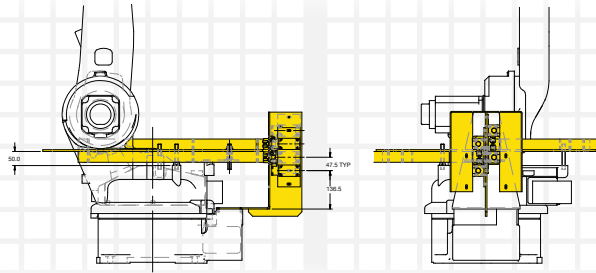
**K-2724
Nozzle Cleaning
Machine**



**K-2725 Nozzle Cleaning /
Cutting Machine**



**1L0370A00
Robotic Zone Kit**



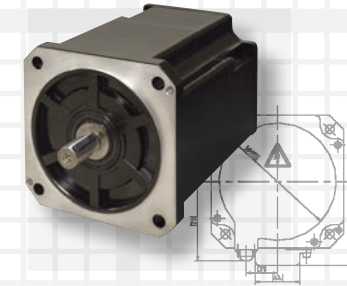
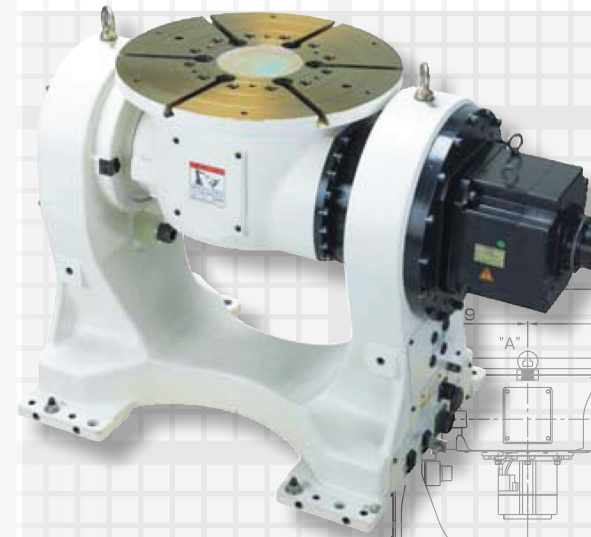
Robotic Zone Kits

Item	Part Number
2 Station Zone Kit for FD-V8 / FD-B6	1L0448A00
2 Station Zone Kit for FD-V8L / FD-B6L	1L0370A00
3 Station Zone Kit for FD-V8L / FD-B6L	1L0396A00
400mm Robot Pedestal for FD-V8/B6 & FD-V8L/B6L & FD-V25	L-3626
600mm Robot Pedestal for FD-V8/B6 & FD-V8L/B6L & FD-V25	L-3626-600
800mm Robot Pedestal for FD-V8/B6 & FD-V8L/B6L & FD-V25	L-3626-800



*OTC can demonstrate
increased welding
efficiency at your door!*

EXTERNAL AXIS SOLUTIONS



888-OTC-ROBO

www.DAIHEN-USA.com

**TILT-ROTATE
POSITIONERS**

**HEADSTOCK
POSITIONERS**

**EXTERNAL AXIS
MOTOR PACKAGES**

**SINGLE SOURCE
SUPPLIER**

North American Corporation Headquarters
1400 Blausner Dr, Tipp City, , Ohio 45371 / Phone: (937) 667-0800

Technical Centers
Detroit, MI
Atlanta, GA

OTC-6 REV 01/20



Member of DAIHEN Group

www.DAIHEN-USA.com



HEADSTOCK POSITIONERS

Features and Benefits

OTC Daihen Headstock positioners offer a wide payload range of 550 lbs (250kg), 1100 lbs (500kg) and 2200 lbs (1000kg). This variety offers a range of options based on the specific application requirement allowing your integration project to be cost-effective, simple and easy to implement.



Model A2PB-250

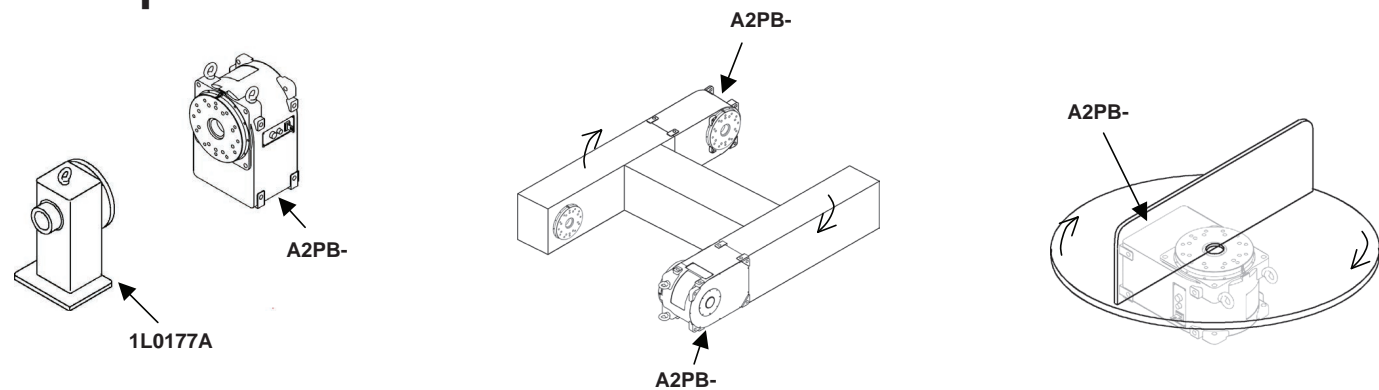


Model A2PB-500



Model A2PB-1000

Examples:



Head and Tail Stock

Use the DAIHEN standard head and tail stock for long parts.

A and B Side Positioner

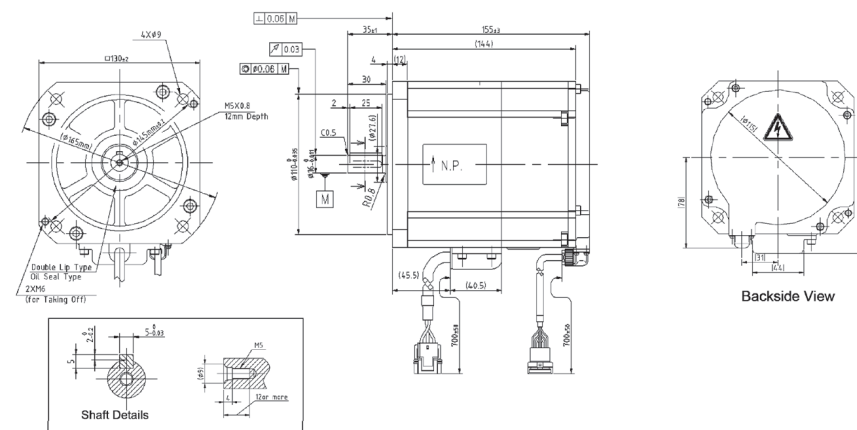
Use the DAIHEN standard head stock to make customized positioners.

A and B Side Table

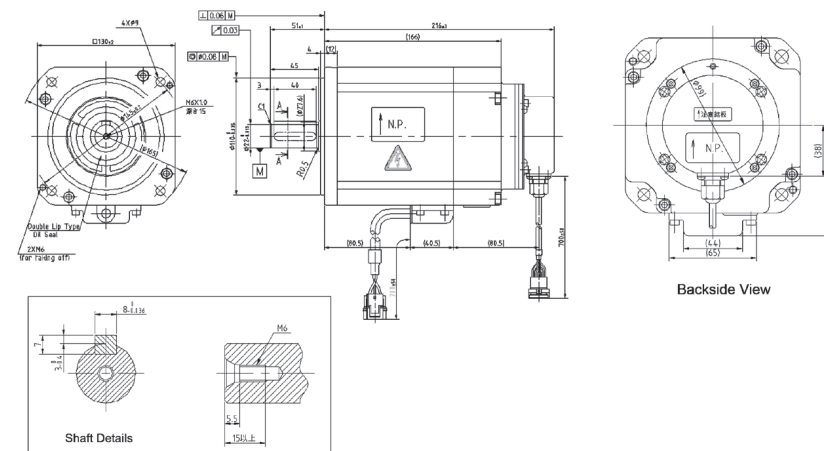
Use the DAIHEN standard head stock as a driving mechanism for table rotation. This system is simple and it can be controlled from the teach pendant.

Note: Above illustrations are examples only. Please see regional sales manager for detailed requirements of configuration.

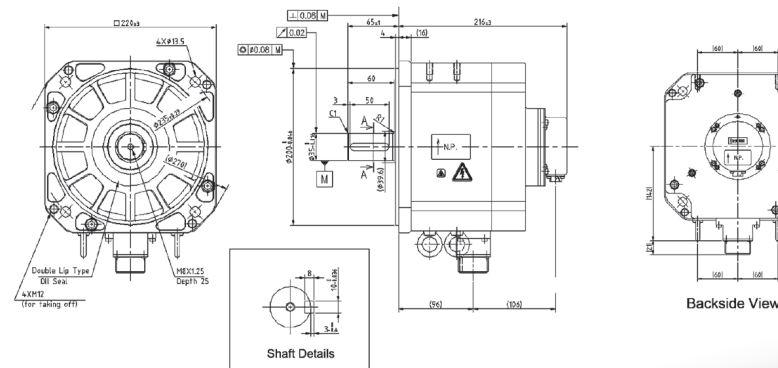
1.2kW Motor



2.0kW Motor



4.5kW Motor



Welbee series



WB-P400



WB-P500L



WB-M350L



WB-M350



WB-M500

FD Friendly series
Arc Welding Robots

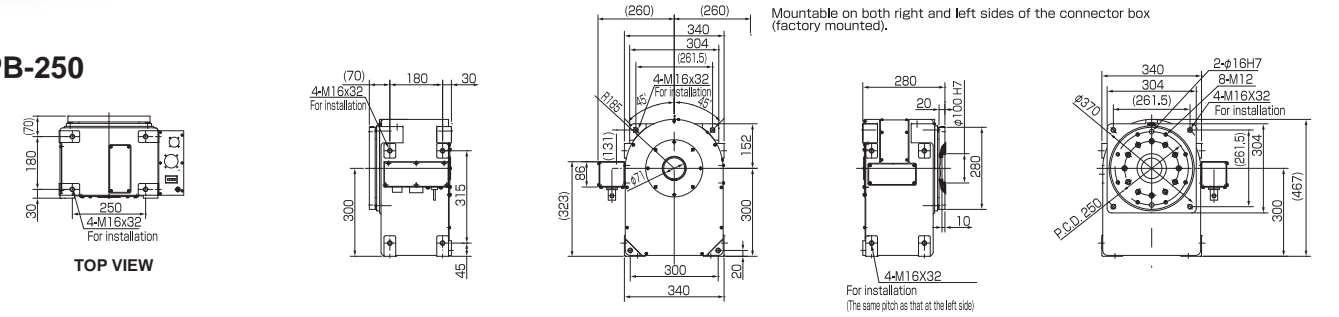
EXTERNAL AXIS MOTOR PACKAGES

Basic Specifications

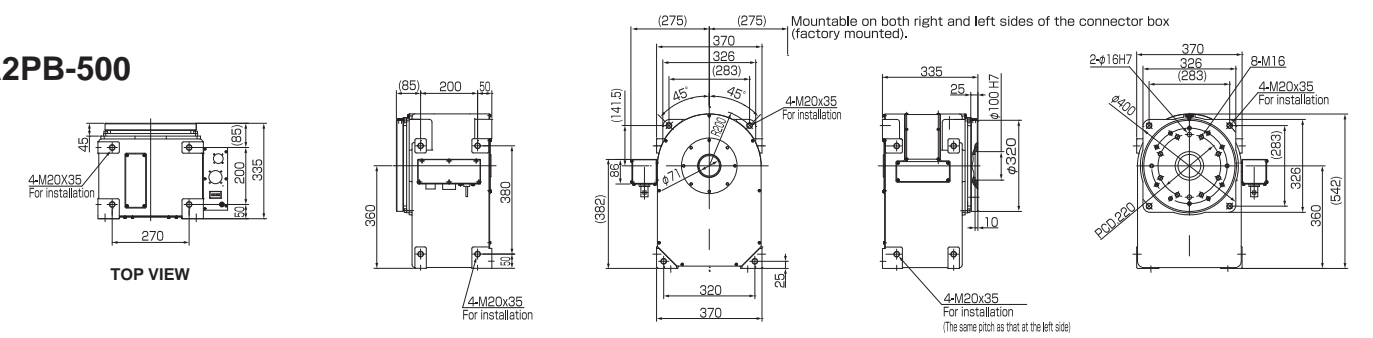
- Main Cabinet can have up to 2 external axes. (If 3 or more external axis required, it requires additional external axis cabinet located separately from the main cabinet)
- Motors have 3 variations, 1.2kW, 2.0kW, 4.5kW
- If more than 5 axes required, please contact our sales for special configuration

Motor	Specifications	Part Number
1.2kW	Output Power: 1200W Rated Speed: 2000 rpm Rated Torque: 5.7 N•m Maximum Torque Peak: 16 N•m Inertia (Rotor + Brake): $6.1 \times 10^{-4} \text{kg}\cdot\text{m}^2$ (Rotor), $0.5 \times 10^{-4} \text{kg}\cdot\text{m}^2$ (Brake) Static Friction Torque on Brake: 9.0 N•m or more Weight: 18 lbs (8.3kg) Assembling: Running: Max F_R : 640 N Max F_R : 640 N Max F: 1300 N Max F: 340 N Max F1: 1300 N Max F1: 340 N	W-L02641
2.0kW	Output Power: 2000W Rated Speed: 2000 rpm Rated Torque: 9.5 N•m Maximum Torque Peak: 30 N•m Inertia (Rotor + Brake): $12.2 \times 10^{-4} \text{kg}\cdot\text{m}^2$ (Rotor), $0.5 \times 10^{-4} \text{kg}\cdot\text{m}^2$ (Brake) Static Friction Torque on Brake: 12 N•m or more Weight: 27 lbs (12.3kg) Assembling: Running: Max F_R : 1700 N Max F_R : 640 N Max F: 1400 N Max F: 340 N Max F1: 1400 N Max F1: 340 N	W-L02152
4.5kW	Output Power: 4700W Rated Speed: 2000 rpm Rated Torque: 22.5 N•m Maximum Torque Peak: 54 N•m Inertia (Rotor + Brake): $55.0 \times 10^{-4} \text{kg}\cdot\text{m}^2$ (Rotor), $5.1 \times 10^{-4} \text{kg}\cdot\text{m}^2$ (Brake) Static Friction Torque on Brake: 42 N•m or more Weight: 61.7 lbs (28.0kg) Assembling: Running: Max F_R : 2300 N Max F_R : 1500 N Max F: 1900 N Max F: 490 N Max F1: 1900 N Max F1: 490 N	W-L02157

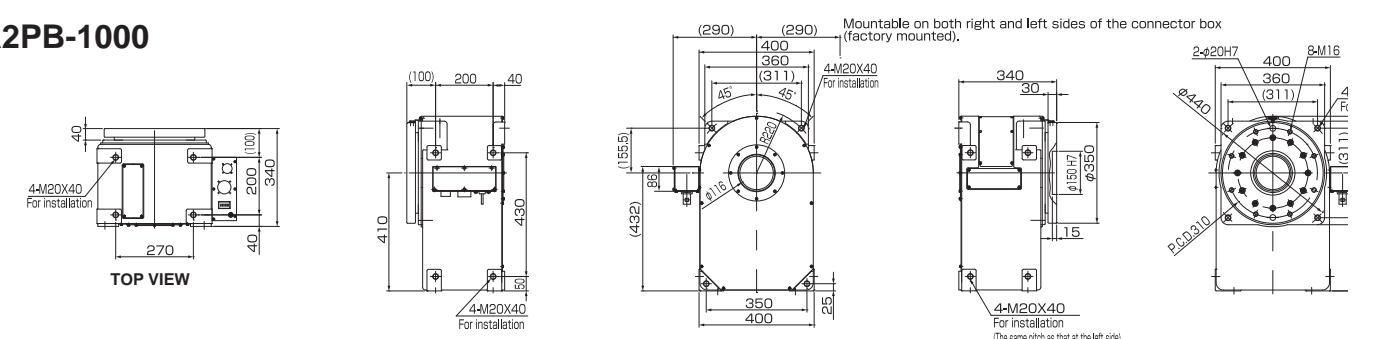
A2PB-250



A2PB-500



A2PB-1000



We!bee series



WB-A350P



WB-W400

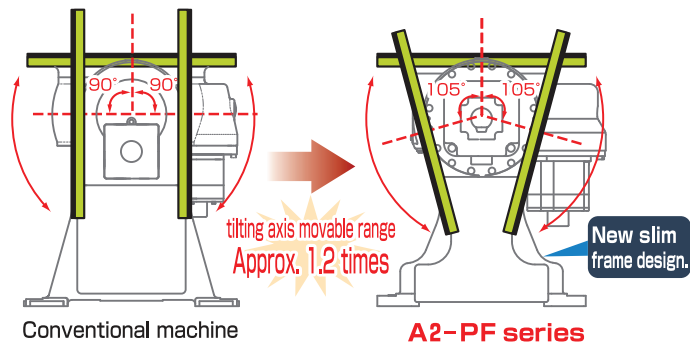


FD-H5 FD-B6 FD-B6L FD-V8 FD-V8L FD-V20 FD-B4S

TILT-ROTATE POSITIONERS

Features and Benefits

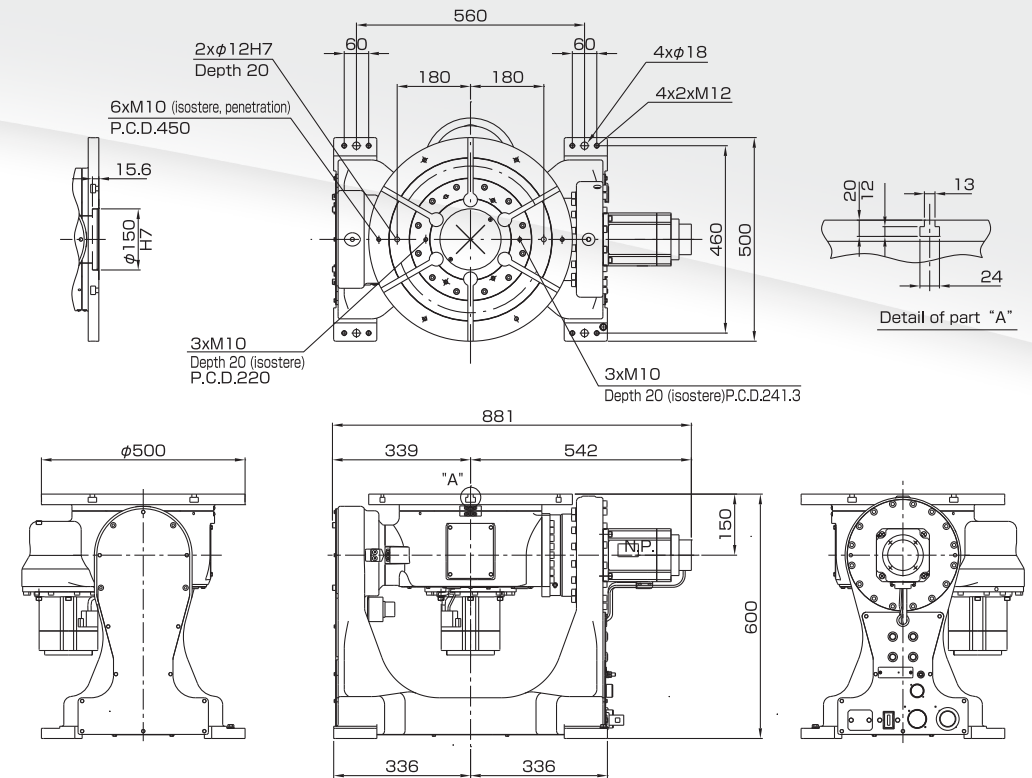
OTC Daihen Tilt-Rotate positioners are designed for arc welding applications. They have been re-designed for improved high-speed motion and increased versatility. Easy connection and installation features save both time and effort during integration. There are 3 variations in payload from 660 lbs (300kg) to 2200 lbs (1000kg).



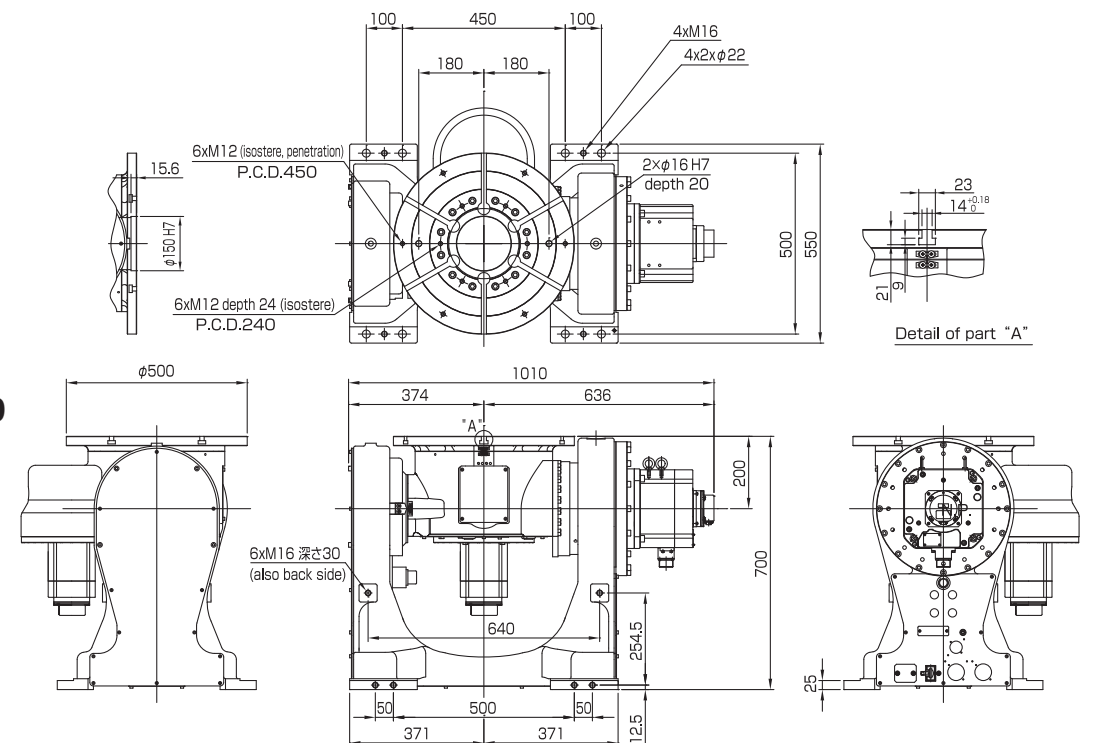
Model A2PF-1000

Item	A2PF-300	A2PF-500	A2PF-1000	
Max. Payload [lbs]	660 (300kg)	1101 (500kg)	2203 (1000kg)	
Max. Offset of C.O.G from center	3.94" (100mm) at max load	3.15" (80mm) at max load	3.55" (90mm) at max load	
Max. Offset of C.O.G from disk surface	5.91" (150mm) at max load	4.92" (125mm) at max load	7.01" (178mm) at max load	
Rotation Speed	Tilt	2.18 rad/s (125 deg/s)	1.47 rad/s (84 deg/s)	1.4 rad/s (82 deg/s)
	Rotate	3.14 rad/s (180 deg/s)	2.83 rad/s (162 deg/s)	2.9 rad/s (166 deg/s)
Moving Range	Tilt	-135 to +135 deg	-135 to +135 deg	-135 to +135 deg
	Rotate	400 deg	400 deg	400 deg
Rotational moment	Tilt	882Nm	1347Nm	3704 Nm
	Rotate	294Nm	392Nm	882 Nm
Allowable Inertia	Tilt	30.5kg·m ²	47.3kg·m ²	187.9kg·m ²
	Rotate	9.1kg·m ²	26.2kg·m ²	53.1kg·m ²
Repeatability	0.0031" (0.08mm)			
Weight [lbs]	572.7lbs (260Kg)		1034lbs (470Kg)	
Max. Weld Current	500A 100%			
Installation	Floor Mount			
Temperature Rating	0-45 deg (Celsius) 20-80% (Humidity)			
Color	White			

A2PF-300,
A2PF-500



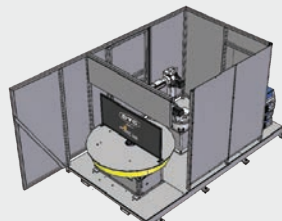
A2PF-1000



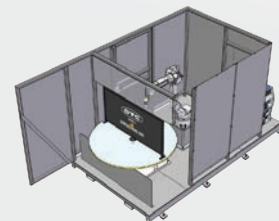
ECO-ARC SERIES



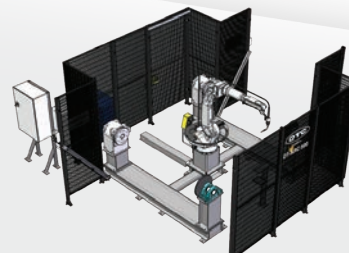
ED-ARC 100



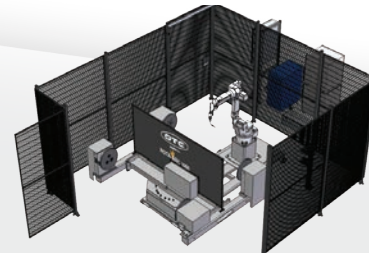
PT-ARC SERIES



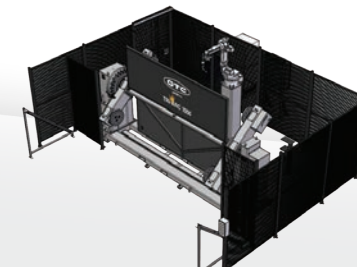
SERVO-ARC SERIES



DT-ARC 500



ROTA-ARC 1000



TRI-ARC 1000

Pre-Engineered
Arc Welding Cells