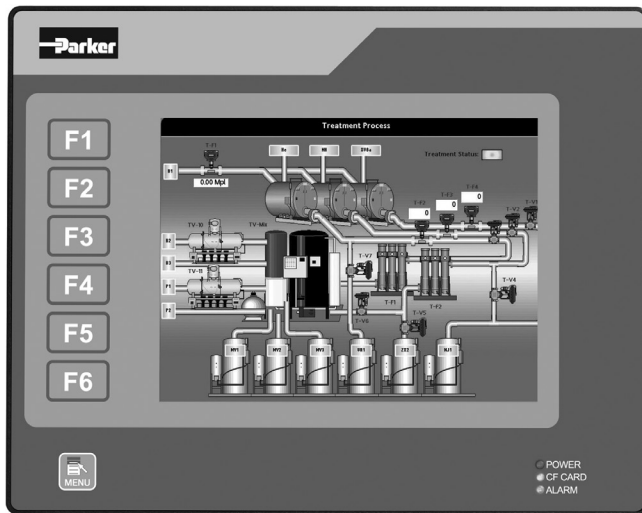




MODEL TS8008 - 8" COLOR TOUCHSCREEN



- CONFIGURED USING DSI8000 SOFTWARE
- UP TO 5 RS-232/422/485 COMMUNICATIONS PORTS (2 RS-232 AND 1 RS-422/485 ON BOARD, 1 RS-232 AND 1 RS-422/485 ON OPTIONAL COMMUNICATIONS CARD)
- 10 BASE T/100 BASE-TX ETHERNET PORT TO NETWORK UNITS AND HOST WEB PAGES
- USB PORT TO DOWNLOAD THE UNIT'S CONFIGURATION FROM A PC OR FOR DATA TRANSFERS TO A PC
- UNIT'S CONFIGURATION IS STORED IN NON-VOLATILE MEMORY (32MBYTE FLASH)
- COMPACTFLASH® SOCKET TO INCREASE MEMORY CAPACITY
- 7.5" TFT 32K VGA 640X480 PIXEL LCD
- 7-BUTTON KEYPAD FOR ON-SCREEN MENUS
- THREE FRONT PANEL LEDS
- POWER UNIT FROM 24VDC ±20% SUPPLY
- RESISTIVE ANALOG TOUCHSCREEN



GENERAL DESCRIPTION

The TS8008 Operator Interface Terminal combines unique capabilities normally expected from high-end units with a very affordable price. It is built around a high performance core with integrated functionality.

The TS8008 is able to communicate with many different types of hardware using high-speed RS232/422/485 communications ports and Ethernet 10 Base T/100 Base-TX communications. In addition, the TS8008 features USB for fast downloads of configuration files and access to trending and data logging. A CompactFlash socket is provided so that Flash cards can be used to collect your trending and data logging information as well as to store larger configuration files.

In addition to accessing and controlling of external resources, the TS8008 allows a user to easily view and enter information. Users can enter data through the touchscreen or front panel 7-button keypad.

SAFETY SUMMARY

All safety related regulations, local codes and instructions that appear in the manual or on equipment must be observed to ensure personal safety and to prevent damage to either the instrument or equipment connected to it. If equipment is used in a manner not specified by the manufacturer, the protection provided by the equipment may be impaired.


Do not use the controller to directly command motors, valves, or other actuators not equipped with safeguards. To do so can be potentially harmful to persons or equipment in the event of a fault to the controller.

CONTENTS OF PACKAGE


- TS8008 Operator Interface.
- Panel Gasket.
- This hardware bulletin.
- Template for panel cutout.
- Hardware packet for mounting unit into panel.
- Terminal block for connecting power.

ORDERING INFORMATION



DESCRIPTION	PART NUMBER
7.5" TFT Display Operator Interface (indoor), No USB Host, Non-isolated Comms	TS8008/00/02
CANopen Option Card	8000/CB/00/00
Profibus DP Option Card	8000/PB/00/00
DeviceNet Option Card	8000/DN/00/00
FireWire Option Card	8000/FA/00/00



CAUTION: Risk Of Danger.
Read complete instructions prior to installation and operation of the unit.



CAUTION: Risk of electric shock.

  The protective conductor terminal is bonded to conductive parts of the equipment for safety purposes and must be connected to an external protective earthing system.

 **WARNING - EXPLOSION HAZARD - SUBSTITUTION OF COMPONENTS MAY IMPAIR SUITABILITY FOR CLASS I, DIVISION 2**

SPECIFICATIONS

1. POWER REQUIREMENTS:

+24 VDC ±20% @ 13 W maximum.

Must use NEC Class 2 or Limited Power source (LPS) rated power supply. Power connection via removable three position terminal block.

Note:

1. The TS8008's circuit common is not connected to the enclosure of the unit. See "Connecting to Earth Ground" in the section "Installing and Powering the TS8008."

2. BATTERY: Lithium coin cell CR2025. Typical lifetime of 10 years.

3. LCD MODULE DISPLAYS:

MODEL	TS8008
SIZE	7.5-inch
TYPE	TFT
COLORS	32K
PIXELS	640 X 480
BRIGHTNESS	112 cd/m ²
BACKLIGHT TYPE	LED
BACKLIGHT LIFE	50,000 HR TYP.

*Lifetime at room temperature. Refer to "Display" in the "Software/Unit Operation" section.

4. 7-KEY KEYPAD: for on-screen menus.

5. TOUCHSCREEN: Resistive analog

6. MEMORY:

On Board User Memory: 32 Mbyte of onboard non-volatile Flash memory.

Memory Card: CompactFlash Type II slot for Type I and Type II CompactFlash cards.

7. COMMUNICATIONS:

USB Port: Adheres to USB 2.0 specification full speed only via Type B connection.



WARNING - DO NOT CONNECT OR DISCONNECT CABLES WHILE POWER IS APPLIED UNLESS AREA IS KNOWN TO BE NON-HAZARDOUS. USB PORT IS FOR SYSTEM SET-UP AND DIAGNOSTICS AND IS NOT INTENDED FOR PERMANENT CONNECTION.

USB Host Ports: Comply with Universal Serial Bus Specification Rev 2.0. Support data transfers at full-speed. Hardware over current protected (0.5 A max per port).

Serial Ports: Serial ports on the TS8008 are not isolated. Format and Baud Rates for each port are individually software programmable up to 115,200 baud.

PGM Port: RS232 port via RJ12.

COMMS Ports: RS422/485 port via RJ45, and RS232 port via RJ12.

DH485 TXEN: Transmit enable; open collector, $V_{OH} = 15$ VDC, $V_{OL} = 0.5$ V @ 25 mA max.

Note: For additional information on the communications or signal common and connections to earth ground please see the "Connecting to Earth Ground" in the section "Installing and Powering the TS8008."

Ethernet Ports: 10 BASE-T / 100 BASE-TX

RJ45 jack is wired as a NIC (Network Interface Card). The jack shield is electrically connected to Earth ground.

8. ENVIRONMENTAL CONDITIONS:

Operating Temperature Range: 0 to 50 °C

Storage Temperature Range: -20 to 70 °C

Operating and Storage Humidity: 80% maximum relative humidity (non-condensing) from 0 to 50 °C.

Vibration according to IEC 68-2-6: Operational 5 to 150 Hz, in X, Y, Z direction for 1.5 hours, 2 g.

Shock according to IEC 68-2-27: Operational 35 g, 11 msec in 3 directions.

9. CERTIFICATIONS AND COMPLIANCES:

SAFETY

IEC 61010-1, EN 61010-1: Safety requirements for electrical equipment for measurement, control, and laboratory use, Part 1.

IP66 Enclosure rating (Face only), IEC 529

Type 4X Indoor Enclosure rating (Face only), UL50

ELECTROMAGNETIC COMPATIBILITY

Emissions and Immunity to EN 61326: 2006: Electrical Equipment for Measurement, Control and Laboratory use.

Immunity to Industrial Locations:

Electrostatic discharge	EN 61000-4-2	Criterion A 4 kV contact discharge 8 kV air discharge
Electromagnetic RF fields	EN 61000-4-3	Criterion A 10 V/m (80 MHz to 1 GHz) 3 V/m (1.4 GHz to 2 GHz) 1 V/m (2 GHz to 2.7 GHz)
Fast transients (burst)	EN 61000-4-4	Criterion B power 2 kV I/O signal 1 kV
Surge	EN 61000-4-5	Criterion B power 1 kV L to L, 2 kV L to G signal 1 kV
RF conducted interference	EN 61000-4-6	Criterion A 3 Vrms
Power freq. magnetic field	EN 61000-4-8	Criterion A 30 A/m

Emissions:

Emissions EN 55011 Class A

Notes:

1. Criterion A: Normal operation within specified limits.

2. Criterion B: Temporary loss of performance from which the unit self-recovers.

10. CONNECTIONS: Compression cage-clamp terminal block.

Wire Gauge: 12-30 AWG copper wire

Torque: 5-7 inch-pounds (56-79 N-cm)

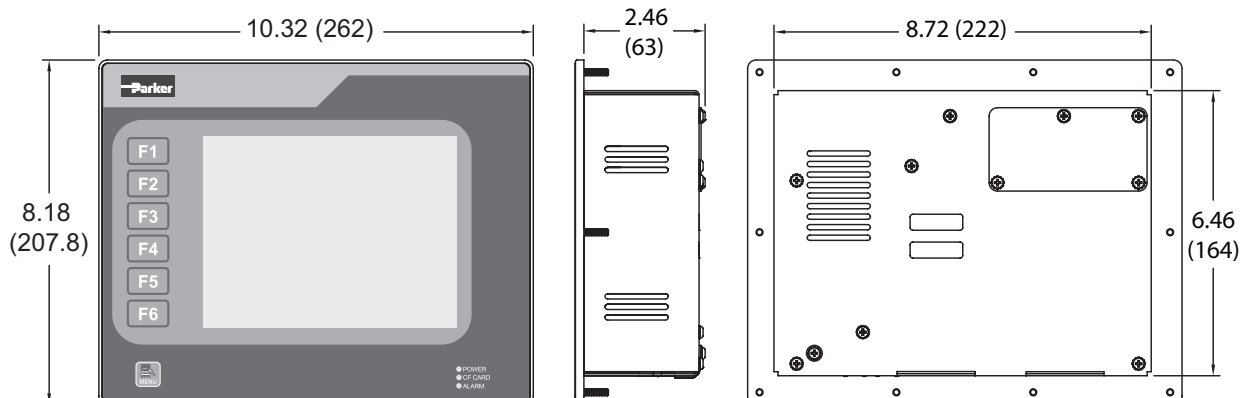
11. CONSTRUCTION: Steel rear metal enclosure with NEMA 4X/IP66 aluminum front plate for indoor use only when correctly fitted with the gasket provided. Installation Category II, Pollution Degree 2.

12. MOUNTING REQUIREMENTS: Maximum panel thickness is 0.25" (6.3 mm). For NEMA 4X/IP66 sealing, a steel panel with a minimum thickness of 0.125" (3.17 mm) is recommended.

Maximum Mounting Stud Torque: 17 inch-pounds (1.92 N-m)

13. WEIGHT: 4.20 lbs (1.91 Kg)

DIMENSIONS In inches (mm)

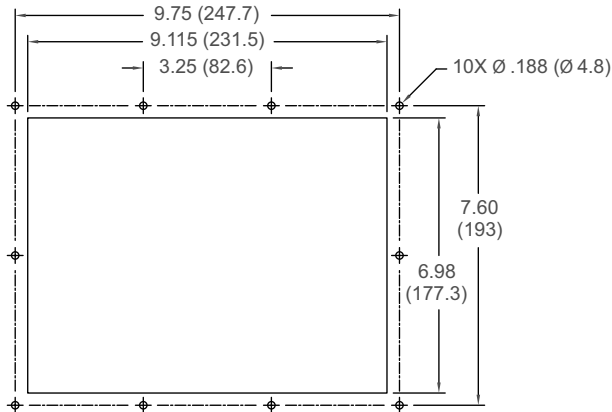


INSTALLING AND POWERING THE TS8008

MOUNTING INSTRUCTIONS

This operator interface is designed for through-panel mounting. A panel cut-out diagram and a template are provided. Care should be taken to remove any loose material from the mounting cut-out to prevent that material from falling into the operator interface during installation. A gasket is provided to enable sealing to NEMA 4X/IP66 specification. Install the 14 keps nuts provided and tighten evenly for uniform gasket compression.

Note: Tightening the keps nuts beyond a maximum of 17 inch-pounds (1.92 N-m) may cause damage to the front panel.



All tolerances ± 0.010 " (± 0.25 mm).



ALL NONINCENDIVE CIRCUITS MUST BE WIRED USING DIVISION 2 WIRING METHODS AS SPECIFIED IN THE NATIONAL ELECTRICAL CODE, NFPA 70 FOR INSTALLATION WITHIN THE UNITED STATES, OR AS SPECIFIED IN THE CANADIAN ELECTRICAL CODE FOR INSTALLATION IN CANADA.

CONNECTING TO EARTH GROUND



The protective conductor terminal is bonded to conductive parts of the equipment for safety purposes and must be connected to an external protective earthing system.

Each TS8008 has a chassis ground terminal on the back of the unit. Your unit should be connected to earth ground (protective earth).

The chassis ground is not connected to signal common of the unit. Maintaining isolation between earth ground and signal common is not required to operate your unit. But, other equipment connected to this unit may require isolation between signal common and earth ground. *To maintain isolation between signal common and earth ground care must be taken when connections are made to the unit.* For example, a power supply with isolation between its signal common and earth ground must be used. Also, plugging in a USB cable may connect signal common and earth ground.¹

¹ USB's shield may be connected to earth ground at the host. USB's shield in turn may also be connected to signal common.

POWER SUPPLY REQUIREMENTS

The TS8008 requires a 24 VDC power supply rated at 13 W. Your unit may draw considerably less than the rated power depending upon the options being used. As additional features are used, your unit will draw increasing amounts of power. Items that could cause increases in current are additional communications, optional communications card, CompactFlash card, and other features programmed through DSI8000.

In any case, it is very important that the power supply is mounted correctly if the unit is to operate reliably. Please take care to observe the following points:

- The power supply must be mounted close to the unit, with usually not more than 6 feet (1.8 m) of cable between the supply and the operator interface. Ideally, the shortest length possible should be used.
- The wire used to connect the operator interface's power supply should be at least 22-gage wire. If a longer cable run is used, a heavier gage wire should be used. The routing of the cable should be kept away from large contactors, inverters, and other devices which may generate significant electrical noise.
- A power supply with an NEC Class 2 or Limited Power Source (LPS) and SELV rating is to be used. This type of power supply provides isolation to accessible circuits from hazardous voltage levels generated by a mains power supply due to single faults. SELV is an acronym for "safety extra-low voltage." Safety extra-low voltage circuits shall exhibit voltages safe to touch both under normal operating conditions and after a single fault, such as a breakdown of a layer of basic insulation or after the failure of a single component has occurred.



WARNING - EXPLOSION HAZARD - DO NOT DISCONNECT EQUIPMENT WHILE THE CIRCUIT IS LIVE OR UNLESS THE AREA IS KNOWN TO BE FREE OF IGNITABLE CONCENTRATIONS.

INSTALLING AN OPTION CARD

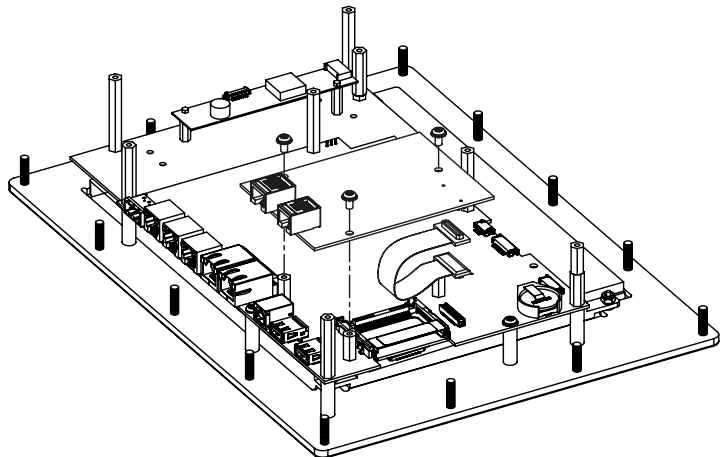


WARNING - EXPLOSION HAZARD - DO NOT DISCONNECT EQUIPMENT UNLESS POWER HAS BEEN DISCONNECTED AND THE AREA IS KNOWN TO BE NON-HAZARDOUS.

Each option card comes with a cable for communications and three screws for attaching the option card to the TS's main board.

To install the option card, remove all power and I/O communications cables from the unit and remove the rear cover. Connect the cable from the option card to the connector on the main board. Be sure both ends of the cable are firmly seated into their appropriate connector housings. Use the three screws provided to mount the option card to the main board as shown in Figure 1.

Carefully replace the rear cover by reversing the instructions for removing the rear cover.



TYPICAL EXPANSION CARD INSTALLATION

Figure 1

COMMUNICATING WITH THE TS8008

CONFIGURING A TS8008

The TS8008 is configured using DSI8000 software. DSI8000 is available as a free download from Parker - SSD Drives' website. Updates to DSI8000 for new features and drivers are posted on the website as they become available. By configuring the TS8008 using the latest version of DSI8000, you are assured that your unit has the most up to date feature set. DSI8000 software can configure the TS8008 through the RS232 PGM port, USB port, or CompactFlash.

The USB port is connected using a standard USB cable with a Type B connector. The driver needed to use the USB port will be installed with DSI8000. If this driver has not been installed, it can be downloaded from the website.

The RS232 PGM port uses a programming cable made by Parker - SSD Drives to connect to the DB9 COM port of your computer. If you choose to make your own cable, use the "TS8008 Port Pin Out Diagram" for wiring information.

The CompactFlash can be used to program a TS by placing a configuration file and firmware on the CompactFlash card. The card is then inserted into the target TS and powered. Refer to the DSI8000 literature for more information on the proper names and locations of the files.

ACCESSING THE COMPACTFLASH CARD VIA USB DEVICE PORT



WARNING - DO NOT CONNECT OR DISCONNECT CABLES WHILE POWER IS APPLIED UNLESS AREA IS KNOWN TO BE NON-HAZARDOUS. USB PORT IS FOR SYSTEM SET-UP AND DIAGNOSTICS AND IS NOT INTENDED FOR PERMANENT CONNECTION.

In order to access data from the CompactFlash card via the USB device port, a driver must be installed on your computer. This driver is installed with DSI8000 and is located in the folder C:\Program Files\Parker\DSI8000\Device\ after DSI8000 is installed. This may have already been accomplished if your TS8008 was configured using the USB port.

Once the driver is installed, connect the TS8008 to your PC with a USB cable, and follow the "Mounting the CompactFlash" instructions found in the DSI8000 user manual.

ETHERNET COMMUNICATIONS

Ethernet communications can be established at either 10 BASE-T or 100 BASE-TX. The TS8008 unit's RJ45 jack is wired as a NIC (Network Interface Card). For example, when wiring to a hub or switch use a straight-through cable, but when connecting to another NIC use a crossover cable.

The Ethernet connector contains two LEDs. A yellow LED in the upper right, and a bi-color green/amber LED in the upper left. The LEDs represent the following statuses.

LED COLOR	DESCRIPTION
YELLOW solid	Link established.
YELLOW flashing	Data being transferred.
GREEN	10 BASE-T Communications
AMBER	100 BASE-TX Communications

The DSI8000 manual contains additional information on Ethernet communications.

RS232 PORTS

The TS8008 has two RS232 ports, which are not isolated. There is the PGM port and the COMMS port. Although only one of these ports can be used for programming, both ports can be used for communications with a PLC.

The RS232 PGM port can be used for either master or slave protocols with any TS8008 configuration.

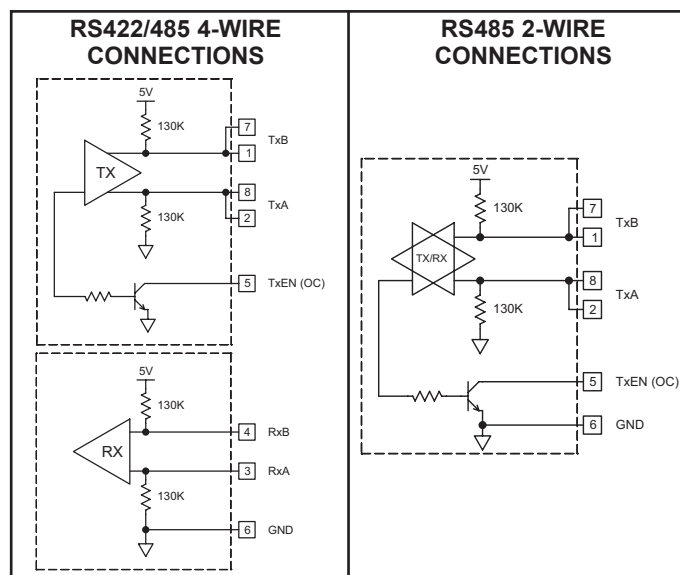
Examples of RS232 communications could involve another Parker - SSD Drives product or a PC. By using a cable with RJ12 ends on it, and a twist in the cable, RS232 communications with another TS product can be established.

TS RS232 to a PC

Connections			
TS: RJ12	Name	PC: DB9	Name
4	COMM	1	DCD
5	Tx	2	Rx
2	Rx	3	Tx
	N/C	4	DTR
3	COMM	5	GND
	N/C	6	DSR
1	CTS	7	RTS
6	RTS	8	CTS
	N/C	9	RI

RS422/485 COMMS PORT

The TS8008 has one RS422/485 port, which is not isolated. This port can be configured to act as either RS422 or RS485.



Note: All Parker - SSD Drives devices connect A to A and B to B.

Examples of RS485 2-Wire Connections

TS to Parker - SSD Drives RJ11

Connections			
TS: RJ45	Name	SSD: RJ11	Name
5	TxEN	2	TxEN
6	COMM	3	COMM
1	TxB	5	B-
2	TxA	4	A+

DH485 COMMUNICATIONS

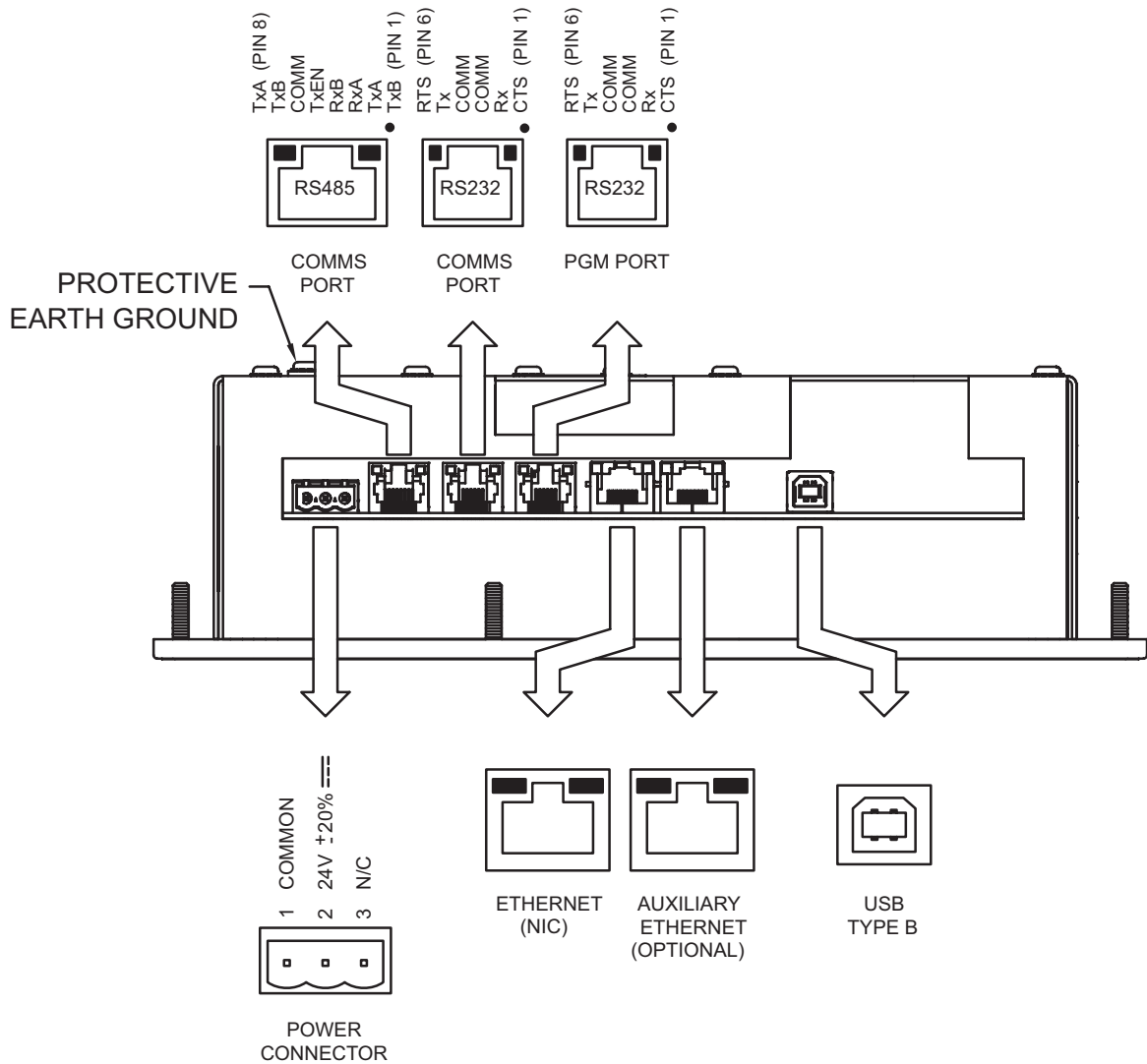
The TS8008's RS422/485 COMMS port can also be used for Allen Bradley DH485 communications.

WARNING: DO NOT use a standard DH485 cable to connect this port to Allen Bradley equipment.

TS to AB SLC 500

Connections			
RJ45: SSD	Name	RJ45: A-B	Name
1	TxB	1	A
2	TxA	2	B
3, 8	RxA	-	24V
4, 7	RxB	-	COMM
5	TxEN	5	TxEN
6	COMM	4	SHIELD
4, 7	TxB	-	COMM
3, 8	TxA	-	24V

TS8008 PORT PIN OUTS



SOFTWARE / UNIT OPERATION

DSI8000 SOFTWARE

DSI8000 software is available as a free download from Parker - SSD Drives' website. The latest version of the software is always available from the website, and updating your copy is free.

DISPLAY

This operator interface uses a liquid crystal display (LCD) for displaying text and graphics. The backlight can be dimmed for low light conditions.

Display backlights have a limited lifetime. Backlight lifetime is based upon the amount of time the display is turned on at full intensity. Turning the backlight off when the display is not in use can extend the lifetime of your backlight. This can be accomplished through the DSI8000 software when configuring your unit.

BACKLIGHT REPLACEMENT



LED Backlight

The backlight for the TS8008 is not field replaceable. The unit must be returned to Parker - SSD Drives for repair.

FRONT PANEL LEDs

There are three front panel LEDs. Shown below is the default status of the LEDs.

LED	INDICATION
RED (TOP, LABELED "PWR")	
FLASHING	Unit is in the boot loader, no valid configuration is loaded. ¹
STEADY	Unit is powered and running an application.
YELLOW (MIDDLE)	
OFF	No CompactFlash card is present.
STEADY	Valid CompactFlash card present.
FLASHING RAPIDLY	CompactFlash card being checked.
FLICKERING	Unit is writing to the CompactFlash, either because it is storing data, or because the PC connected via the USB port has locked the drive. ²
FLASHING SLOWLY	Incorrectly formatted CompactFlash card present.
GREEN (BOTTOM)	
FLASHING	A tag is in an alarm state.
STEADY	Valid configuration is loaded and there are no alarms present.

1. The operator interface is shipped without a configuration. After downloading a configuration, if the light remains in the flashing state continuously, try cycling power. If the LED still continues to flash, try downloading a configuration again.
2. Do not turn off power to the unit while this light is flickering. The unit writes data in two minute intervals. Later Microsoft operating systems will not lock the drive unless they need to write data; Windows 98 may lock the drive any time it is mounted, thereby interfering with logging. Refer to "Mounting the CompactFlash" in the DSI8000 User Manual.

KEYPAD

The TS8008 keypad consists of seven keys for on-screen menus.

TOUCHSCREEN

This operator interface utilizes a resistive analog touchscreen for user input. The unit will only produce an audible tone (beep) when a touch on an active touchscreen cell is sensed. The touchscreen is fully functional as soon as the operator interface is initialized, and can be operated with gloved hands.

TROUBLESHOOTING YOUR TS8008

If for any reason you have trouble operating, connecting, or simply have questions concerning your new TS8008, contact Parker - SSD Drives' technical support. For contact information, refer to the back page of this bulletin for phone and fax numbers.

EMAIL: info.us.ssd@parker.com

Web Site: <http://www.ssddrives.com/usa>

BATTERY & TIME KEEPING



WARNING - EXPLOSION HAZARD - THE AREA MUST BE KNOWN TO BE NON-HAZARDOUS BEFORE SERVICING/ REPLACING THE UNIT AND BEFORE INSTALLING OR REMOVING I/O WIRING AND BATTERY.



WARNING - EXPLOSION HAZARD - DO NOT DISCONNECT EQUIPMENT UNLESS POWER HAS BEEN DISCONNECTED AND THE AREA IS KNOWN TO BE NON-HAZARDOUS.

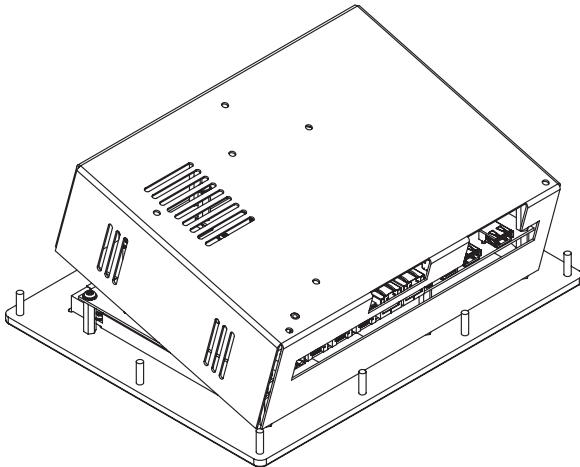
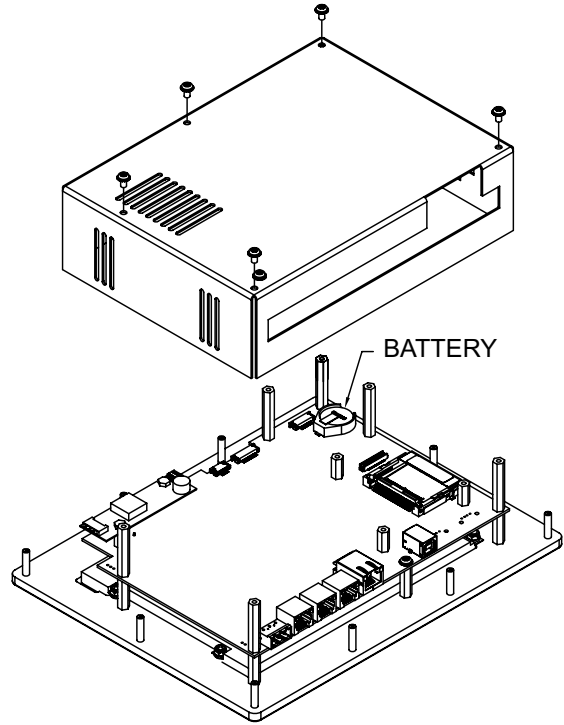
A battery is used to keep time when the unit is without power. Typical accuracy of the TS8008 time keeping is less than one minute per month drift. The battery of a TS8008 unit does not affect the unit's memory, all configurations and data is stored in non-volatile memory.



CAUTION: The circuit board contains static sensitive components. Before handling the operator interface without the rear cover attached, discharge static charges from your body by touching a grounded bare metal object. Ideally, handle the operator interface at a static controlled clean workstation. Also, do not touch the surface areas of the circuit board. Dirt, oil, or other contaminants may adversely affect circuit operation.

To change the battery of a TS8008, remove power, cabling, and then the rear cover of the unit. To remove the cover, remove the five screws designated by the arrows on the rear of the unit. Then, by lifting the top side, hinge the cover, thus providing clearance for the connectors on the bottom side of the PCB as shown in the illustration below. Install in the reverse manner.

Remove the old battery* from the holder and replace with the new battery. Replace the rear cover, cables, and re-apply power. Using DSI8000 or the unit's keypad, enter the correct time and date.



** Please note that the old battery must be disposed of in a manner that complies with your local waste regulations. Also, the battery must not be disposed of in fire, or in a manner whereby it may be damaged and its contents come into contact with human skin.*

The battery used by the TS8008 is a lithium type CR2025.

OPTIONAL FEATURES AND ACCESSORIES

OPTIONAL COMMUNICATION CARD

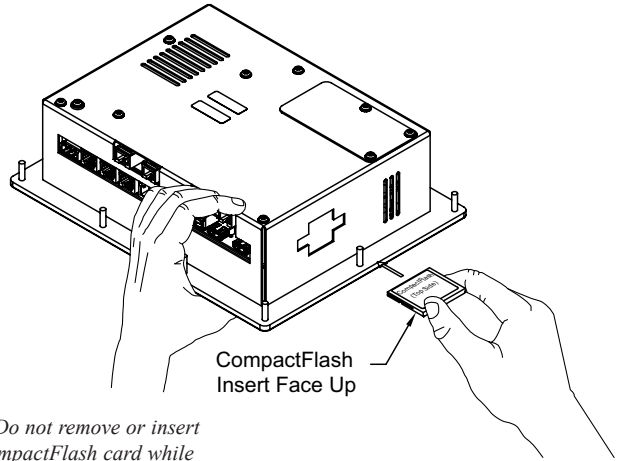
Parker - SSD Drives offers optional communication cards for fieldbus communications. These communication cards will allow your TS8008 to communicate with many of the popular fieldbus protocols.

COMPACTFLASH SOCKET

CompactFlash socket is a Type II socket that can accept either Type I or II cards. Use cards with a minimum of 4 Mbytes and a maximum of 2 Gbytes with the TS8008's CompactFlash socket. Cards are available at most computer and office supply retailers.

CompactFlash can be used for configuration transfers, larger configurations, data logging, and trending.

Information stored on a CompactFlash card by a TS8008 can be read by a card reader attached to a PC. This information is stored in IBM (Windows®) PC compatible FAT16 file format.



Note: Do not remove or insert the CompactFlash card while power is applied. Refer to "Front Panel LEDs."

NOTE

For reliable operation of this and other Parker - SSD Drives products, one of the following brands of CompactFlash card must be used...

- | | |
|------------|-----------------|
| SimpleTech | SMART® Modular |
| SanDisk® | Silicon Systems |



Parker Hannifin Corporation
SSD Drives Division
9225 Forsyth Park Dr.
Charlotte, NC 28273 USA
Tel: (704) 588-3246
Fax: (704) 588-4806
www.ssddrives.com/usa
info.us.ssd@parker.com