

P1 Compact Flash Installation/Replacement

Background

This document describes the procedure for installing or replacing the Compact Flash Adapter on P1 PowerStations. The P1 PowerStation uses a removable flash drive for storage purposes. The Compact Flash Adapter is similar in function to the traditional flash drive, however, the design is different. The Compact Flash Adapter allows you to remove the actual compact flash card from the adapter, unlike the traditional one-piece Compact Flash Drive. Therefore, if you want to update application files from a PC, you can simply remove the Compact Flash Card from the Compact Flash drive on the P1, update it on a PC, and reinstall it.

Note To update application files on a PC you must have a PCMCIA card (CTC model number FLH-ADPT-2000). Further information on how to update application files with the P1 Compact Flash Adapter are documented in the instructions which accompany the PCMCIA card.

CTC recommends that you purchase at least one additional flash drive to serve as a backup for your primary flash drive. You can also purchase additional flash drives to store different projects

Installing and Replacing

Using the steps below, you can easily remove and replace the Compact Flash Adapter:

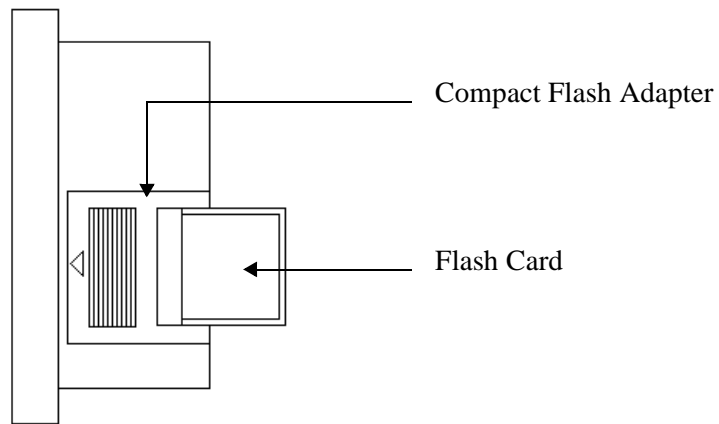
1. Turn off power to the unit.

Important Do not remove or install the flash card while the power is still on. To do so will cause the unit to function improperly.

2. Face the back left-hand side of the unit and grasp the flash card.

P1 Compact Flash Installation/Replacement

3. Remove the flash card from the adapter by sliding it out of its slot toward you.



P1 Left Side View

4. When ready, reinstall the flash card by carefully inserting the card into the adapter and pressing firmly until the card is securely seated.