

EPX2 PowerStations

The New Generation Affordable and Enhanced Reliability PowerStations for InteractX HMI Applications

**New
No-Display
and 6"
Models**



The EPX2 family of PowerStations are designed to bring the award winning power of InteractX to machine level HMI applications. This update to the popular EPX family is focussed on increasing robustness and reliability. New features Include:

- Solid State CompactFlash based mass storage
- Fan-less convection cooling
- Windows® embedded standard operating system
- Elimination of all moving parts for enhanced reliability

These design enhancements place the EPX2 among the most rugged and reliable InteractX PowerStations ever!



InteractX runtime software pre-installed.

Contact Information:

Parker Hannifin Corporation
Electromechanical Automation Division
 5500 Business Park Drive
 Rohnert Park, CA 94928
phone 800.358.9068
www.parkermotion.com/SCADA

Performance Features		
CPU	AMD LX800 (500 MHz)	
DRAM	512 MB	
Operating System	Windows® embedded standard 2009 (XP embedded)	
Hard Drive	8 GB CompactFlash	
Display Size	Resolution	Model Number
No Display	—	EPX200N-EUA3-1
6" Display	VGA (640 x 480)	EPX026T-EUA3-1
8" Display	VGA (640 x 480)	EPX208T-EUA3-1
10" Display	VGA (640 x 480)	EPX210T-EUA3-1
15" Display	XGA (1024 x 768)	EPX215T-EUA3-1



The new EPX2 industrial-hardened PowerStations provide big performance in a small platform. The EPX2 is the perfect platform for HMI only applications, offering the software power, features and flexibility normally reserved for SCADA level applications in a robust, cost effective hardware platform.

The small form factor EPX2 includes unlimited tag InteractX runtime Windows HMI. Unique InteractX screen scaling software allows advanced graphic applications to be downloaded and run on any EPX2 PowerStation*.

** EPX2 is the perfect platform for InteractX HMI applications, however, it is not designed to support extensive additional 3rd party software. For applications requiring database software or other additions, IPX PowerStations are recommended.*

EPX2 Features

EPX2 PowerStation enhanced updates and core features include:

- **No display, 6", 8", 10.4" and 15" touchscreen displays**
- **InteractX HMI Software**
- **CompactFlash storage**
- **AMD LX-800 CPU**
- **2 USB ports**
- **2 Serial ports**
- **100BaseT Ethernet port**
- **Multiple control device connectivity**
- **Slim profile with consistent features**
- **Quick and easy clip mounting**
- **NEMA 4X rating**
- **24 VDC power**

Windows® is a registered trademark of Microsoft Corporation.



ENGINEERING YOUR SUCCESS.

EPX2 PowerStation Specifications

Features	EPX200	EPX206	EPX208	EPX210	EPX215	
Display	Size	EPX200 has no display, but is pre-configured with a standard XGA output.	6" Color TFT 5.7" Diagonal	8" Color TFT 7.5" Diagonal	10" Color TFT 10.4" Diagonal	15" Color TFT 15" Diagonal
	Resolution		VGA (640x480)	VGA (640 X480)	VGA (640 x 480)	XGA (1024 x 768)
	Viewing Angle	Can be used with our PHM Family monitors to create a "split" system	±80° L/R 80° U, 70° D	±70° L/R 60° U, 65° D	±70° L/R 50° U, 60° D	±80° L/R 80° U, 60° D
	Brightness		350 NIT	400 NIT	200 NIT	250 NIT
	Bulb Life (hrs)		75,000	50,000	50,000	40,000
	Weight (lbs)		2.6	4.1	8.4	13.8
Dimensions Inches (HxWxD)	6.05 x 4.12 x 2.52	6.00 x 7.40 x 2.99	7.60 x 10.20 x 3.06	11.00 x 13.78 x 4.01	13.30 x 16.80 x 5.19	
Interface	Analog Resistive Touchscreen					
Power Requirement*	12/24VDC @ 18W (Range: min 11 VDC, 28 VDC Max)		24 VDC @ 22W (Range: min 18 VDC, 28 VDC max)			
HMI Software	InteractX Runtime (pre-installed)*					
Processor	AMD LX800 (500 MHz)					
CompactFlash Storage	8 GB CompactFlash (Minimum- Actual storage volumes may be higher)					
Ports	Keyboard	USB 2.0				
	Mouse	USB 2.0				
	USB	(2) USB 2.0, Type A				
	Serial	(1) RS-232, (1) RS-232/422/485				
	Ethernet	(1) 10/100Base-T w/ RJ45				
Environment	Temperature	0 – 50°C				
	Rel. Humidity	5-95% (non-condensing)				
	Vibration	10-500 Hz 2grms (Random)				
Shock	10G, 11 msec (operating); 30G, 11 msec (non-operating)					
Agency Approval	CE; UL/CUL, NEMA 4X (Indoor Only); Class 1 Div. 2 (Available as an option)					



* Units use P1X-PWARC power supply which can be mounted on back of 10" and 15" units.

EPX2 Ordering Information

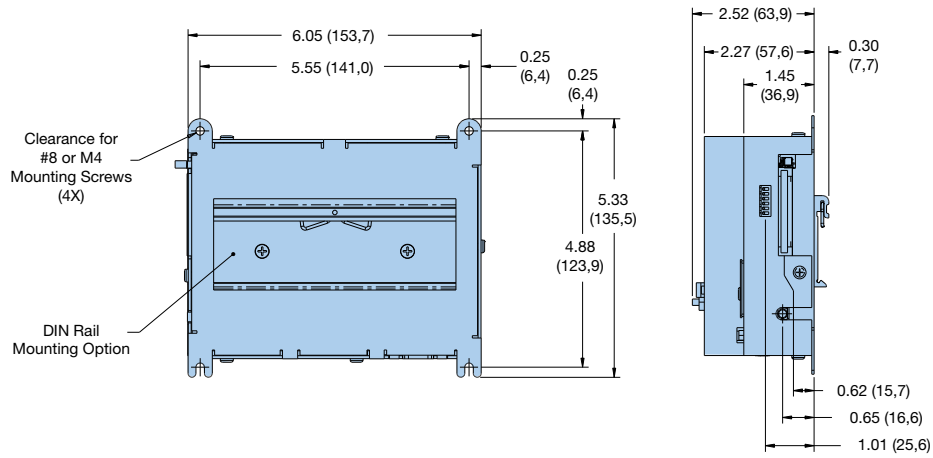
①	②	③	④	⑤	⑥
Order Example:	EPX2	00N	- E	U	A 1 - 1

Select an option from each numbered field to create a complete model order code.

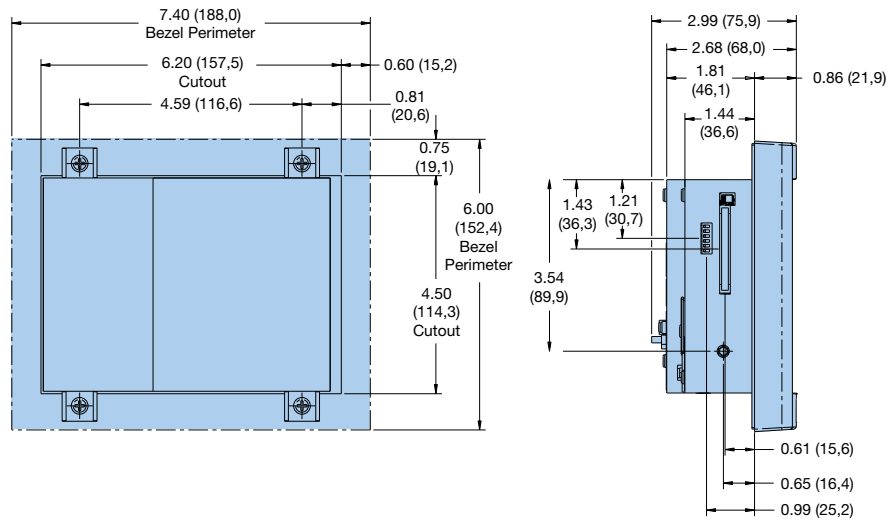
- | | | |
|---|---|---|
| <p>① Series
EPX2 Industrial PC</p> | <p>③ Operating System
E Windows XP Embedded</p> | <p>⑤ Agency Approval
1 No approvals
3 UL/CUL/CE
5 UL/CUL/CE Class 1 Div 2</p> |
| <p>② Display
00N No display
06T 6" VGA (640x480 pixels)
08T 8" VGA (640x480 pixels)
10T 10" VGA (640x480 pixels)
15T 15" XGA (1024x768 pixels)
15A 15" XGA (1024x768 pixels)
Stainless Steel bezel</p> | <p>④ Storage
U 8 GB CompactFlash</p> | <p>⑥ CPU
1 AMD LX800 (500 MHz)</p> |

Cutout Dimensions

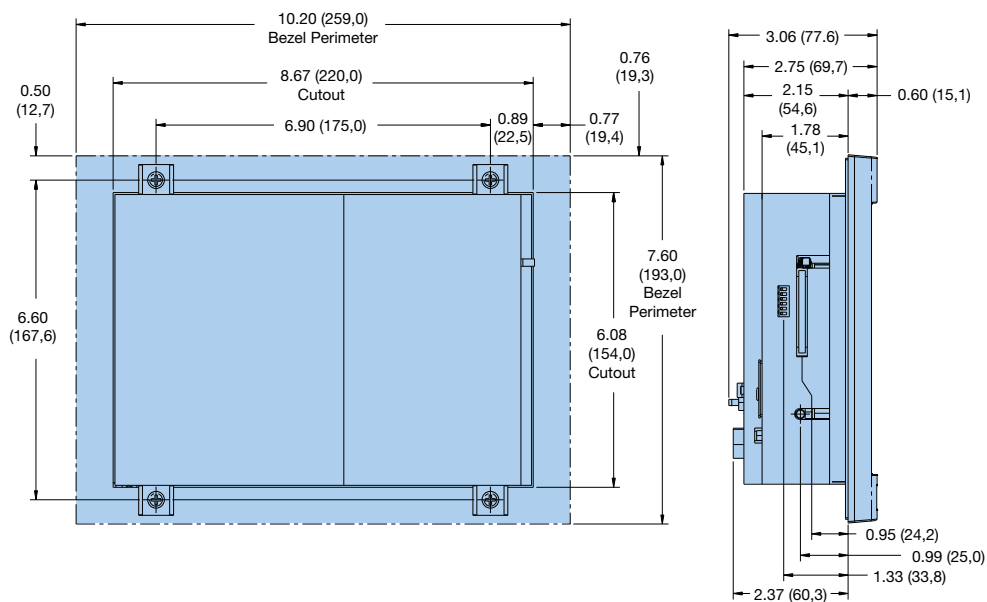
EPX200



EPX206

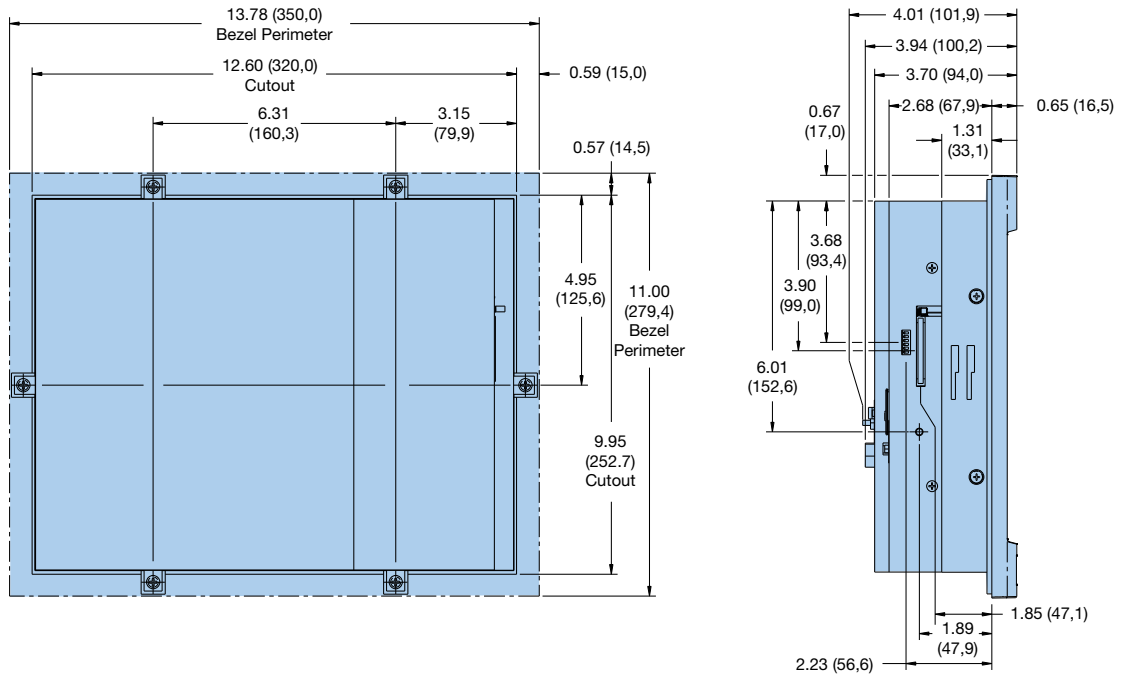


EPX208

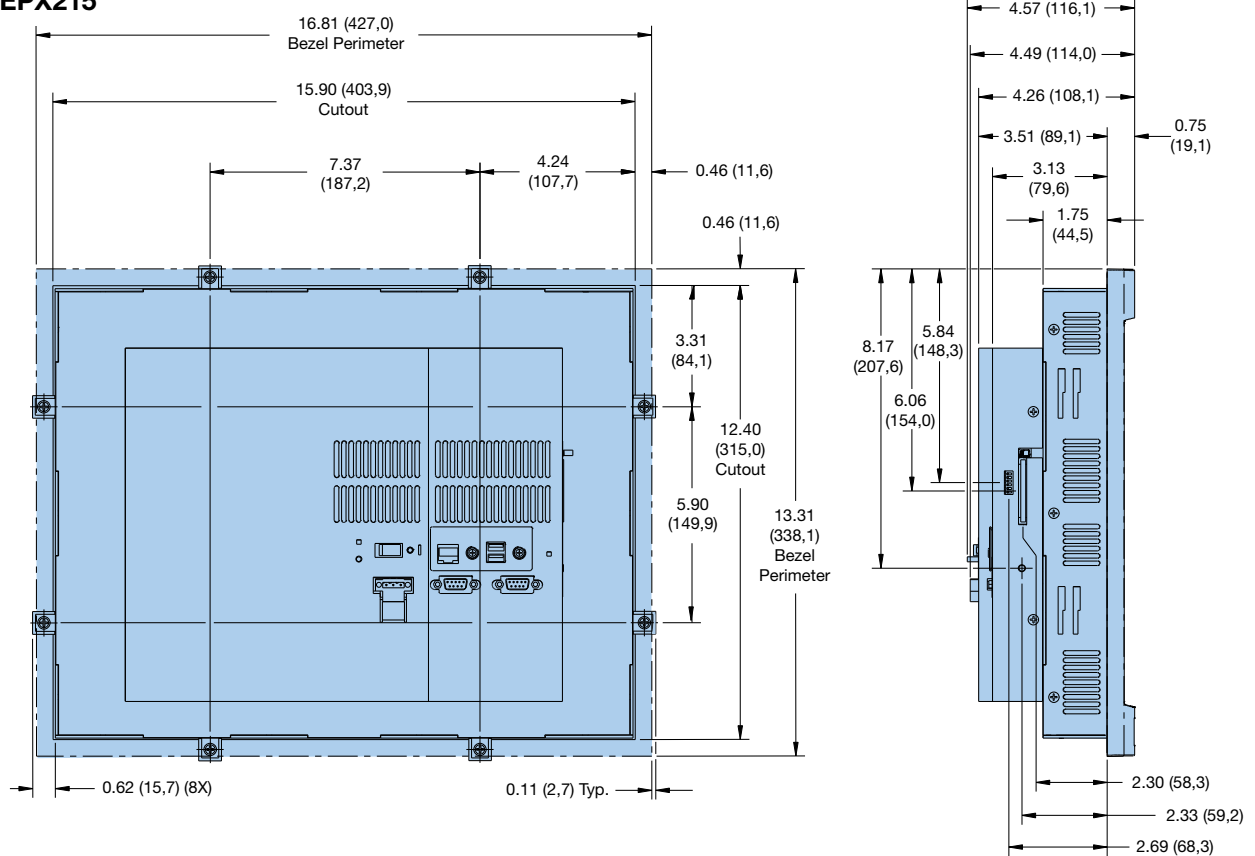


Cutout Dimensions

EPX210



EPX215



ENGINEERING YOUR SUCCESS.