

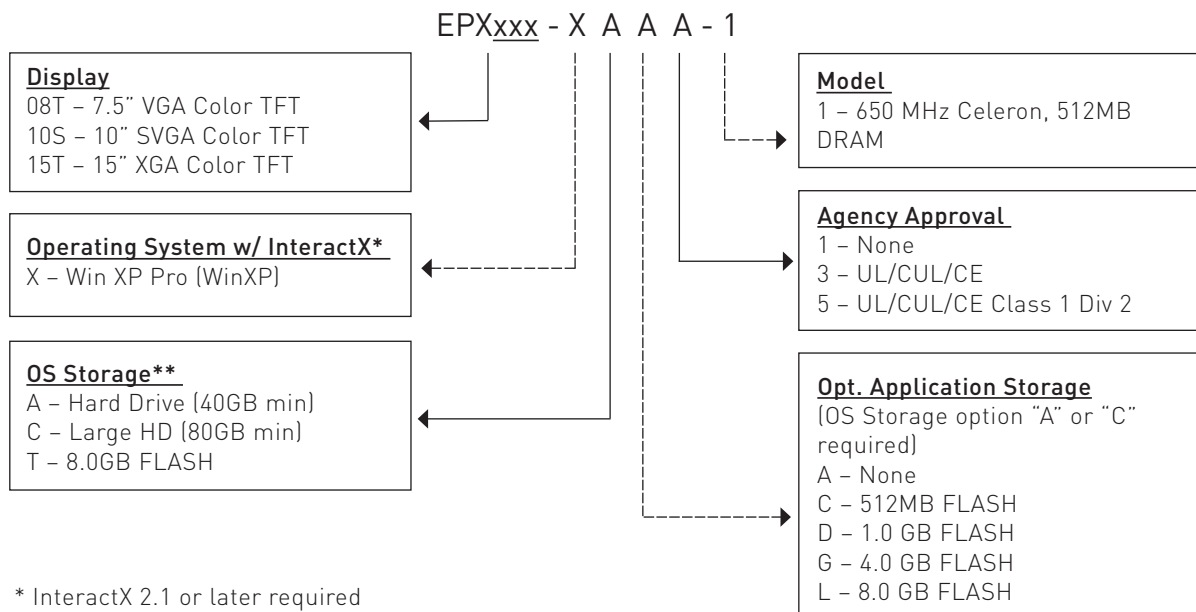
# EPX InteractX PowerStations



This CTC-designed and manufactured PowerStation is an Industrial PC with an 7.5", 10" or 15" TFT display and analog resistive touch-screen. Pre-installed and licensed with award-winning InteractX Windows HMI unlimited-tag runtime software, EPX PowerStations combine the power of the standard Windows XP Pro operating systems with a hardened x86 hardware platform for embedded computing needs.

Each EPX system includes a range of options such as CompactFlash storage, USB ports, RS-232 and RS-232/422/485 ports, and a 100BaseT Ethernet port. CTC PowerStations allow you to choose the right system for your application without sacrificing the features you need!

## Model Number Configurations



Units are 24VDC. Use PWR-PSAC power supply.  
Power supply cannot be mounted on back of 7.5" unit.

PA/P1/Monitor/EPX AC Power Supply      PWR-PSAC

**Note:**  
All systems include 0-50 °C operation, 24VDC power and agency approvals for CE, UL & CULt. Display based systems include an analog resistive touch-screen, NEMA 4/4X rated package.





Categories	Features	8" Display (EPX08T)	10" Display (EPX10S)	15" Display (EPX15T)
Display	Specification	7.5" Color TFT 7.5" (190mm) Diagonal VGA (640x480) Resolution 400 NIT, 262,144 Color TFT Viewing Angle: +/- 70° L/R, 60° U, 65° D 50,000 Hour Bulb Life (to half brightness)	10" Color TFT 10.4" (2560mm) Diagonal SVGA (800x600) Resolution 350 NIT, 262,144 Color TFT Viewing Angle: +/- 70° L/R, 70° U, 40° D 50,000 hour backlight (to half brightness)	15" Color TFT 15.0" (380mm) Diagonal XGA (1024x768) Resolution 260 NIT, 262,144 Color TFT Viewing Angle: +/- 80° L/R, 55° U, 65° D 50,000 hour backlight (to half brightness)
	Interface	Analog Resistive Touchscreen		
Operating System		Windows XP Professional		
HMI Software		InteractX Unlimited Tag HMI Runtime software and license*		
Processor Support		CPU 650MHz Ultra Low Voltage Intel Celeron 256KB Cache		
	Chipset	Intel 82815 GMCH • 100MHZ FSB • AGP Video • Full 2D/3D/DirectX Video Acceleration		
Memory	System	512MB Shared PC100 SODIMM (1) 144-pin Slot, 512MB Max.		
	Video	64MB Shared System Memory		
Storage Options	Hard Drive CompactFlash Floppy/CD ROM	(1) 3.5" 40GB, 7200 RPM UltraATA/100 (80GB optional)** (1) External Type II slot (IDE Bootable) External connection via USB		
Ports	Keyboard Mouse USB Serial Ethernet	(1) PS/2, with over current protection (1) PS/2, with over current protection (2) USB 1.1 ports Type-A, CD/Floppy/USB Drive bootable with over current protection (1) RS232 9-Pin D-sub (1) RS232/422/485 9-Pin D-sub (1) 10/100Base-T w/ RJ45		
Expansion Slots		N/A		
BIOS Options		Plug-n-Play Configurable Boot Devices: • Hard Drive • CompactFlash • USB (CD/ROM, Floppy, Thumb Drive)		
Package	Temperature Range Rel. Humidity Vibration Shock	0-50°C 5-95% (non-cond.) 10-500 Hz .5grms (random-operational-HD) 10-500 Hz 1grms (random-operational-CompactFlash) 10G, 11 msec (operating) 30G, 11 msec (non-operating)		
Power Requirement		24 VDC, 2A maximum		
Agency Approval		UL/CUL; CE; NEMA 4/4X; Class 1 Div. 2		

For more information about EPX PowerStations  
visit [parker-motion.com/scada](http://parker-motion.com/scada)  
or call us at **1.800.233.3329**

\* InteractX 2.1 or later required  
\*\* Actual storage volumes may be higher