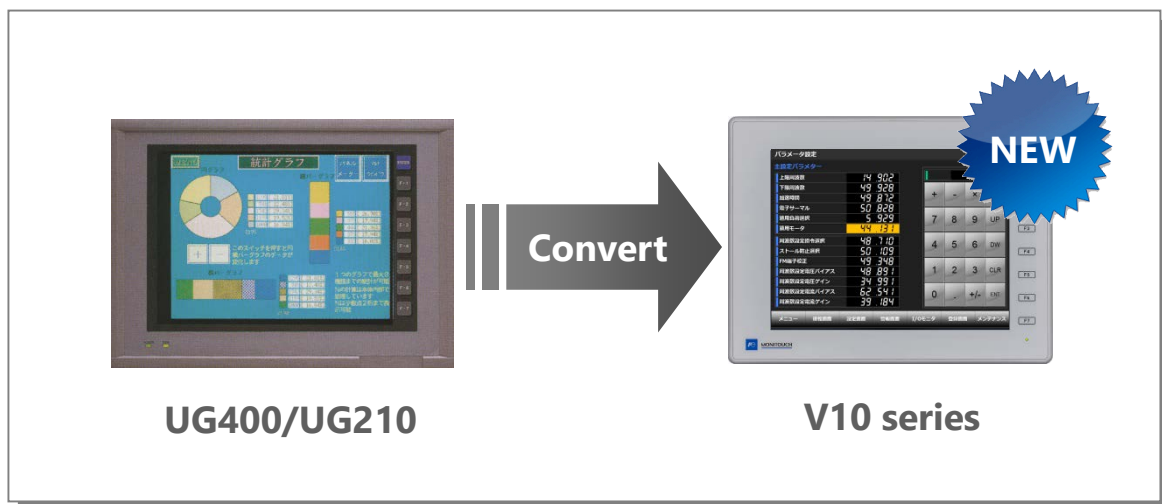


MONITOUCH

V10 Replacement Guidance [UG400/UG210 series]



- [List of Recommended Replacement Models](#) [Page 2](#)
- [Configuration Software](#) [Page 5](#)
- [Screen Program Conversion](#) [Page 5](#)

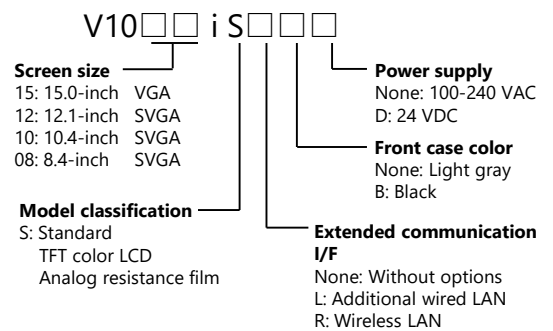
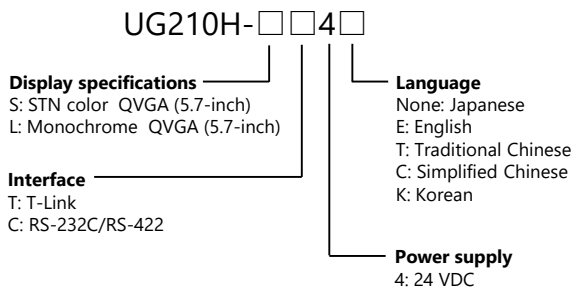
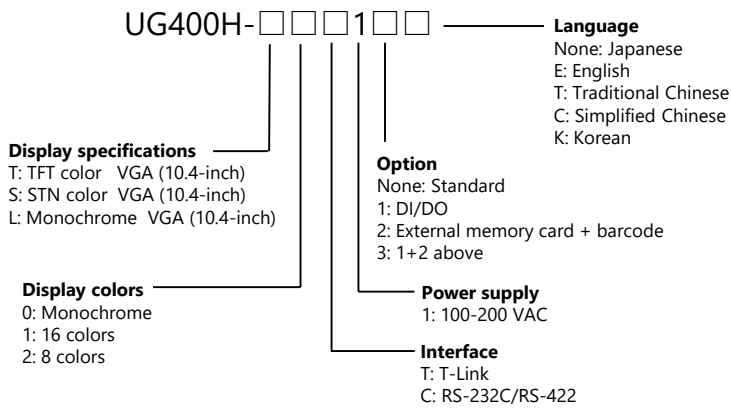
List of Recommended Replacement Models

Following is a list of V10 replacement models for UG400/UG210. Please check the model of UG400/UG210 unit in use and select the recommended replacement model.

Size	UG400/UG210 model	V10 model	Refer to
10.4-inch VGA	UG400H-xxC1xx	V1010iS V1010iSB	Page 3
	UG400H-xxT1xx		
5.7-inch QVGA	UG210H-SC4x	There are no 5.7-inch models in the V10 series. Use TS2060i which has the same size and resolution.	-
	UG210H-LC4x		
	UG210H-ST4x		
	UG210H-LT4x		

* Models with few restrictions on use are described above list of recommended replacement models. It is also possible to replace UG400/UG210 with V10 other than the recommended model. Select the model according to your system.

Model Description



- UG400 → V10 Standard

The screen resolution differs between UG400 and V10 Standard.

UG400: 640 x 480 → V10: 800 x 600 dots

If the same resolution model is required, use the V9 Lite model.

When converting the screen program from UG400 to V10, use automatic resizing feature of V-SFT. If the layout is changed, adjust it manually.

Panel cut-out dimensions vary. Use the optional mounting panel adaptor.



UG400



V1010iS

Hardware Specifications

Item		UG400	V10 Standard
Dimensions W x H x D (mm)		328.0 x 240.0 x 97.0	303.8 x 231.0 x 53.8
Panel cut-out W x H (mm)		317.0(+0.5/-0) x 229.0(+0.5/-0)	289.0(+0.5/-0) x 216.2(+0.5/-0) *1
Display device		TFT color/STN color/monochrome	TFT color
Display colors		16 colors/8 colors	16.7 million colors *2
Resolution		640 x 480 dots	800 x 600 dots *3
Touch switch		Matrix resistance film	Analog resistance film *4
Communication I/F	Serial	D-Sub 25-pin x1 : RS-232C / RS-422/485 Terminal block : RS-422/485	D-Sub 9-pin x1 : RS-232C / RS-422/485 *5 Modular 8-pin x2 : RS-232C / RS-485
	T-Link*6	Terminal block	
	Barcode	D-sub 9-pin x1 : RS-232C *7	
External storage device		Dedicated memory card *9	SD/SDHC/SDXC card USB flash drive
Power supply		85 to 265 VAC	100 to 240 VAC

*1 V10 can be mounted using the mounting adapter "PAD-V610". Refer to Page 4.

*2 Only for displaying "picture" images, 3D parts, video / RGB input images and remote desktop window. All other content is displayed using 65,536 colors.

*3 The resolution is SVGA. When converting the screen program, use automatic resizing feature of V-SFT. If the layout is changed, adjust it manually.

*4 It is not possible to press two points on the screen at the same time on V10. For two-point press, change the setting to use both a switch on the screen and a function switch.

*5 When using the existing cable, use Hakko Electronics' conversion cable "D9-D25". When the terminal block was used, use Hakko Electronics' optional unit "TC-D9".

*6 Only for UG400H-xxT

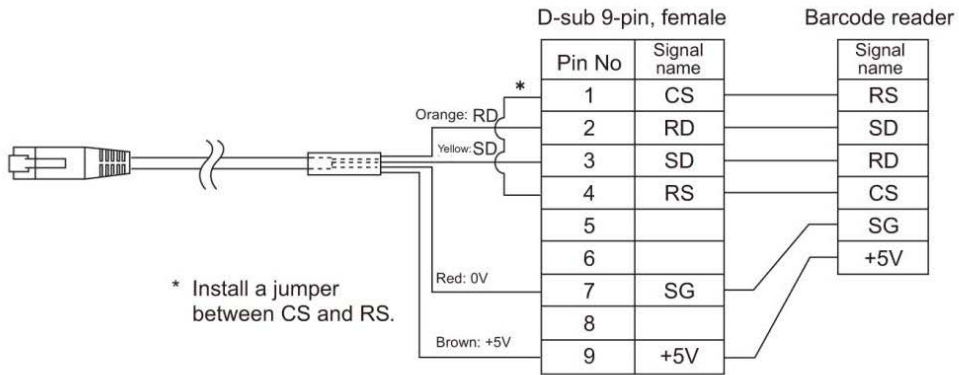
*7 Only for UG400H-xxx1□ (□: 2,3)

*8 Use Hakko Electronics' cable "V6-BCD" and make a conversion cable between MJ ↔ D-sub 9-pin. For the wiring diagram, refer to Page 4.

*9 Only when using UG400H-xxx1□ (□: 2,3) and optional unit "UG200P-MR" or "UG400P-MR"

- For barcode reader: MJ → Dsub-9 pin conversion cable wiring diagram

When replacing UG400 with V10, use Hakko Electronics' cable "V6-BCD" and make a conversion cable between MJ ↔ D-sub 9-pin.



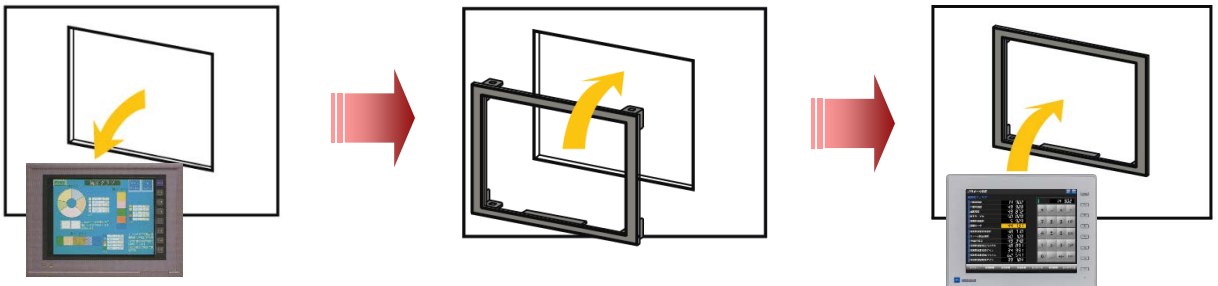
- Mounting panel adaptor (PAD-V610)

It is used to install V10 into the UG400 panel cut-out hole.

1. Remove the UG400 unit from the panel.

2. Install the mounting panel adaptor.

3. Install a V10 series unit.



- Configuration Software

Model	Software	OS	Transferring cable *1
UG400	V-SFT-5	Windows Vista (32bit, 64bit) Windows 7 (32bit, 64bit) Windows 8 (32bit, 64bit) Windows 8.1 (32bit, 64bit) Windows 10 (32bit, 64bit) Windows 11(64bit)	- UG200C-V cable *2 - UG00C-T1 cable (MJ to Dsub9) + UG00P-AD2 adaptor or V-CP cable (MJ to Dsub9) + ADP25-M adaptor manufactured by Hakko Electronics Co., Ltd.
V10	V-SFT-6 Supported with version 6.2.0.0 or later		- USB cable (USB mini-B to USB-A) - LAN cable *3 - UG00C-T1 or V-CP (MJ to Dsub9) manufactured by Hakko Electronics Co., Ltd.

*1 The screen program can be transferred via SD card/USB flash drive when using V10 and dedicated memory card when using UG400H-xxx1□ (□: 2,3).

*2 UG200C-V cable can be made by the user. For wiring details, refer to the Hardware Specifications Manual for UG400.

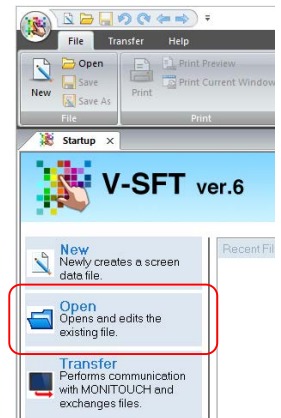
*3 LAN connector of V10 supports Auto-MDIX. Straight/crossover cables can be used with or without HUB.

- Screen Program Conversion

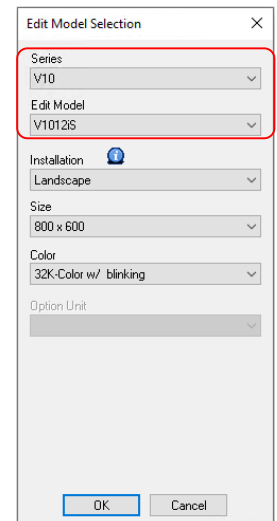
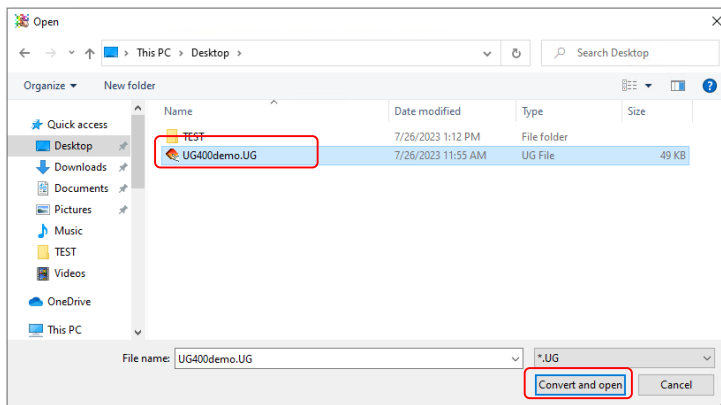
The screen program can be converted from UG400 to V10 using V-SFT-6 (configuration software for V series).

- Conversion procedures

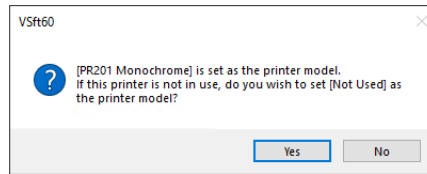
1. Start V-SFT and click [Open] in the Startup menu or [Open] in the [File] menu. The screen program file can also be opened by dragging it onto V-SFT-6. If using this method, proceed to step 4.
2. Change the file extension to [*.UG] in the [Open] dialog.



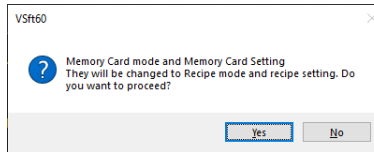
3. Select the UG400 screen program file and click [Convert and open]. The [Edit Model Selection] dialog appears.
4. Select the V10 series model and click [OK].



- The dialog on the right may be displayed.
When connecting to a printer : Click [Yes]
When not connecting to a printer : Click [No]

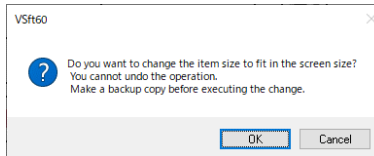


- The dialog on the right may be displayed.
Click [Yes].



* The data conversion in the storage device is required. Refer to the Memory Card Mode Conversion Manual.

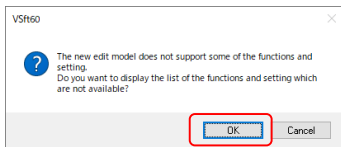
- When converting the program with different resolution, the dialog shown to the right will appear.
When enlarging parts: Click [Yes]
When not enlarging parts: Click [No]



* If the layout is changed, adjust it manually.

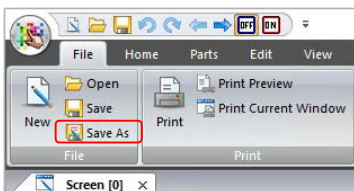
- The following dialog may be displayed.
Click [Yes] to display the error check window and check the functions and setting which are not available.
Check [solution] and modify it.

If the same warning message appears even in the UG400 screen program before conversion, the warning does not affect the program and you can use it without modification.



Error Check				
0 Error 2 Warning				
Category	Location	Explanation	Solution	
Warning	Overlap Library [7]	Normal Overlap	Overlap larger than the screen is created.	Set the overlap
Warning	Overlap Library [8]	Normal Overlap	Overlap larger than the screen is created.	Set the overlap

- The screen program converted to V10 series is displayed on V-SFT. Name and save the file.



The converted V10 screen program cannot be converted back to the UG400 screen program. Confirm the operation with the V10 series unit before use.