

# PPC-179T

## 17" Panel PC with Intel® Core™2 Duo Processor



### Features

- 17" TFT SXGA LCD
- Intel® Core™2 Duo LGA775 Socket-based processor up to 3.0 GHz
- Supports 240-pin DDR3 1333/1066 DIMM x2 Up to 4 GB
- Rugged die-cast aluminum housing with removable plastic front bezel
- Supports One Mini PCIe socket, Dual Gigabit Ethernet
- One PCI and one PCIe expansion slot
- One RS-232/422/485; (supporting Auto-flow control, jumper-selected)

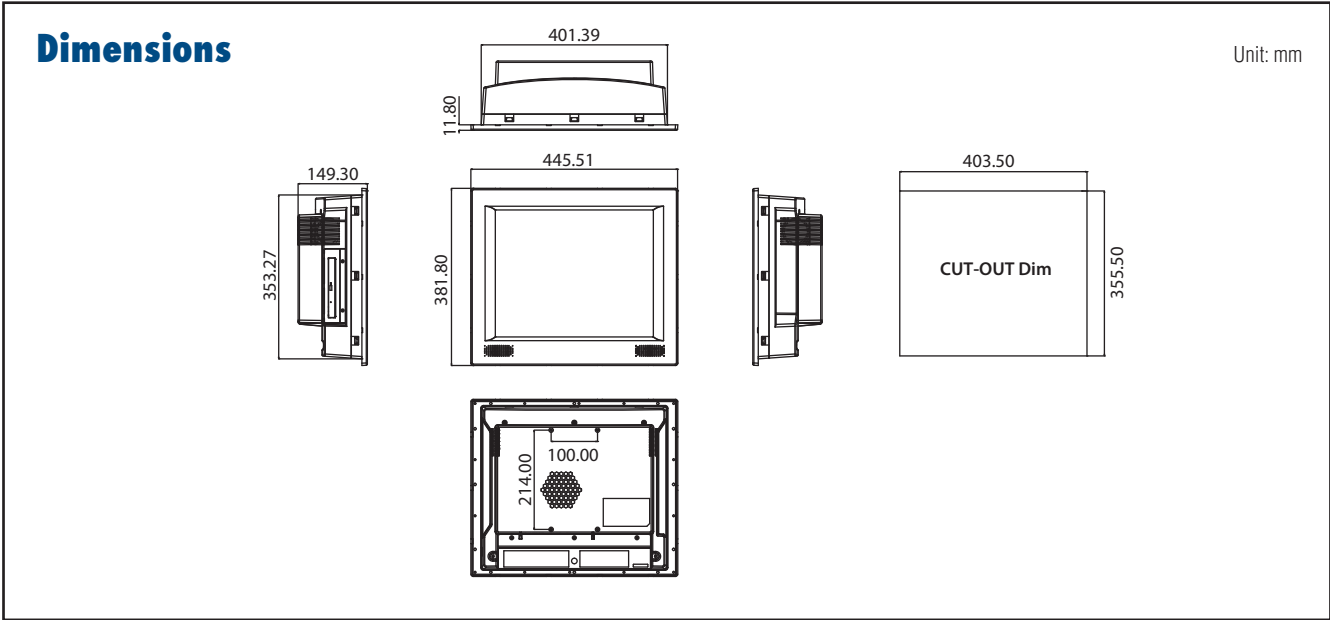


### Introduction

PPC-179T is a top performing and highly expandable panel PC. Equipped with a 17" Color TFT LCD, it features high performance, multimedia devices, connectors, and 2 expansion sockets (PCI and PCIe) for high expansion capacity. Because of its multifunctional design, the PPC-179T meets demands from multimedia applications and interactive kiosks that require big displays and powerful computing performance.

### Specifications

<b>Processor System</b>	CPU	Supports LGA775 Socket-based Intel Core 2 Duo Processor up to 3.0 GHz	
	Dimensions (W x H x D)	446 x 382 x 149 mm (17.56" x 15.04" x 5.87")	
	Weight	10 kg (22 lb)	
	Front Panel Protection	IP65 compliant	
	HDD	One internal SATA interface - 2.5" Type	
	DVD+/-RW Drive	Equipped with one slim 8x SATA DVD +/- RW (BLACK)	
	Memory	Supports 240-pin DDR3 1333/1066 DIMM x2 Up to 4 GB (only supports 64X8 and 128X8, not for 256X8)	
	Network (LAN)	2 x 10/100/1000 Mbps (RJ-45)	
I/O ports		- 4 x serial ports: 3 x RS-232, 1 x RS-232/422/485	
		- 6 x USB2.0 ports - Mic-in, Line-in, Line-out, 1W speaker - 1 x D-SUB VGA port	
Bus Expansion	1 x PCI + 1 x PCIe (standard) , 2 x PCI (in the accessory box), 1 x Mini PCI-e socket		
<b>Environmental Specifications</b>	Operating Temperature	0 ~ 45°C (32 ~ 113°F)	
	Relative Humidity	10 ~ 95% @ 40°C, non-condensing	
	Shock	Operating 10 G peak acceleration (11 ms duration), follows IEC 60068-2-27	
	Vibration	Operating Random Vibration Test 5-500Hz, 1Grms, follows IEC 60068-2-64	
	EMC	BSMI, VCCI, CE, FCC Class B, CCC	
Safety	CB, CE, UL		
<b>Touchscreen (Optional)</b>	Types	Analog Resistive	
	Resolution	2048 x 2048	
	Light Transmission	75%	
	Controller	RS-232 interface, (COM6)	
	Power Consumption	+5 V @ 200 mA	
<b>LCD Display</b>	Display Type	Color TFT LCD	
	Size (Diagonal)	17"	
	Max. Resolution	1280 x 1024	
	Max. Colors or Grayscales	16.7M	
	Pixel Pitch (mm)	0.264 x 0.264	
	Luminance (cd/m <sup>2</sup> )	380	
	Contrast Ratio	1000:1	
	Viewing Angle	80°(left), 80°(right), 80°(up), 80°(down)	
LCD MTBF	50,000 hrs		
<b>Power Supply</b>	Output Rating	220W (max.)	
	Input Voltage	100 ~ 240 VAC @ 50 ~ 60Hz	
	Output Voltage	+3.3 V @ 14.0A, +5 V @ 16.0A, +12 V @ 16 A + 10 A, -12 V @ 0.8 A, +5 Vsb @ 2.5 A	



### Ordering Information

Part No.	Description
PPC-179T-BAREE	Panel PC with 17" TFT LCD display (resolution: 1280 x 1024)
PPC-179T-BARE-TE	PPC-179T with resistive touchscreen
PPC-174T-WL-MTE	Wall mount kit for PPC series
PPC-174 RACK-MT	19" Rack Mounting kit for PPC-174 (9U)
1702002600	Power Cable UL/CSA (USA) 180D 125V10A 1.83M
1702002605	Power Cable 90D 220V EUROPEAN 250V/6A 1.8M
2070010804	XPE WES2009 V4.0, 24 multi-languages

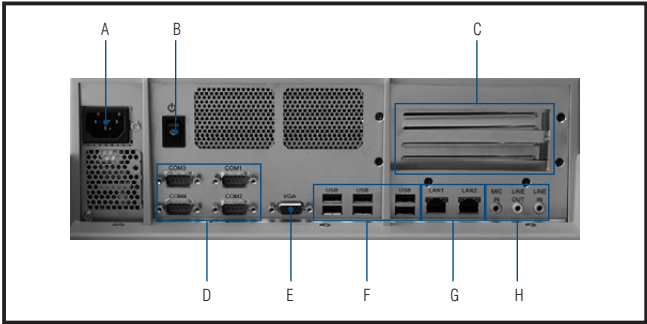
### Feature Details

**Protection**  
 The PPC-179T is robust enough to withstand harsh environments on factory floors and in an external environment. The die-cast housing also acts as a heat sink to prevent the system from overheating.

**Networking**  
 Four serial ports and dual 10/100/1000 Mbps Ethernet port give the PPC-179T advanced networking capabilities and provide the best solution for versatile applications.

**Expansion**  
 To extend its functionality, the PPC-179T is designed with two expansion slots for one PCI and one PCIe card, one Mini PCIe slot, six USB 2.0 (Universal Serial Bus) ports, four COM ports. With these expansion capabilities, the PPC-179T not only functions as an HMI, but also as a computing center around which to build your application.

### I/O Appearance



- A. AC inlet
- B. Power switch
- C. PCI expansion x 1, PCIe expansion x 1
- D. RS232 x 3, RS232/422/485 x 1
- E. VGA port
- F. USB2.0 x 6
- G. 10/100/1000 Mbps Ethernet x 2
- H. Line-in/Line-out/Mic-in